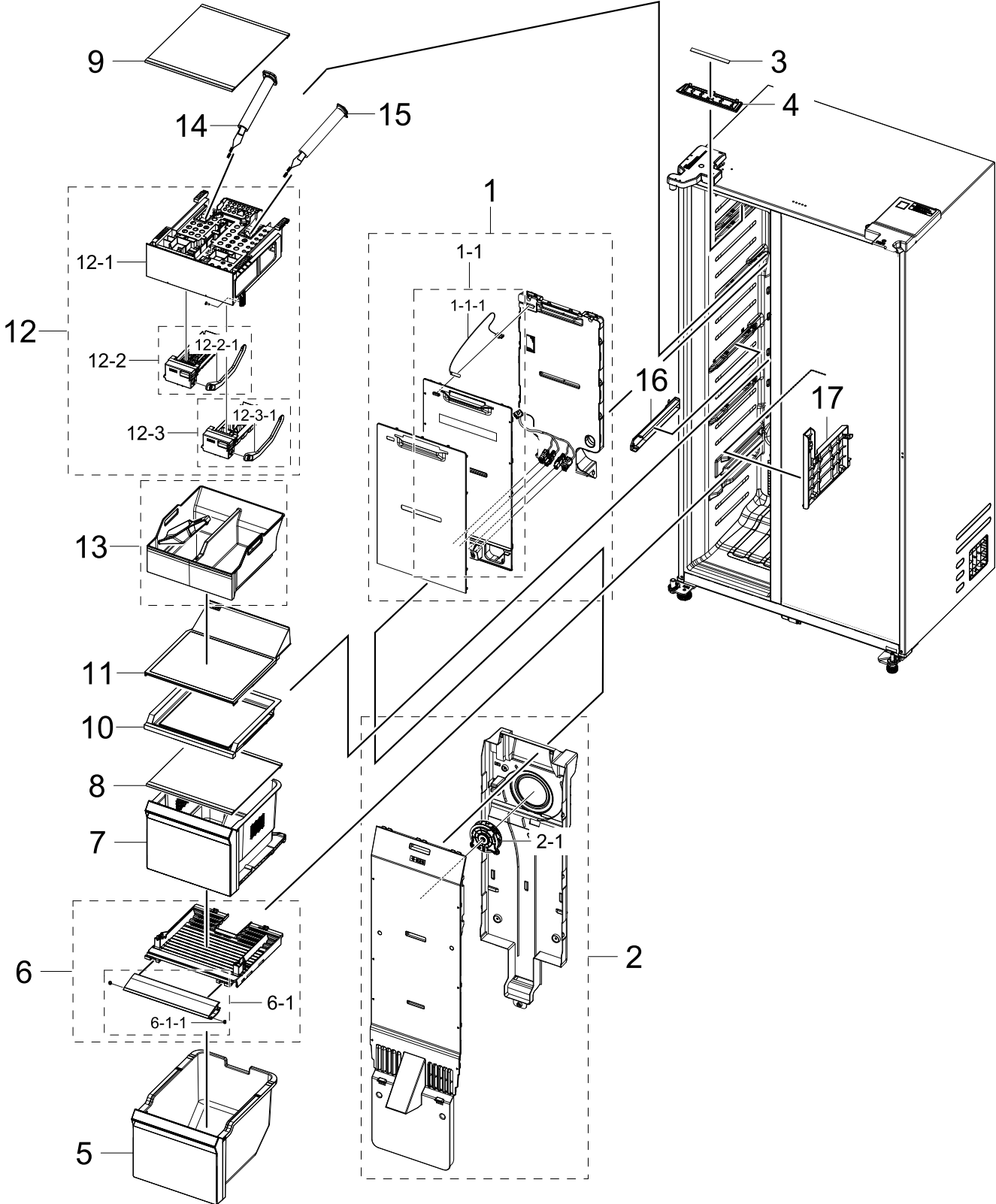


1. Freezer

Freezer

Exploded View



Parts List

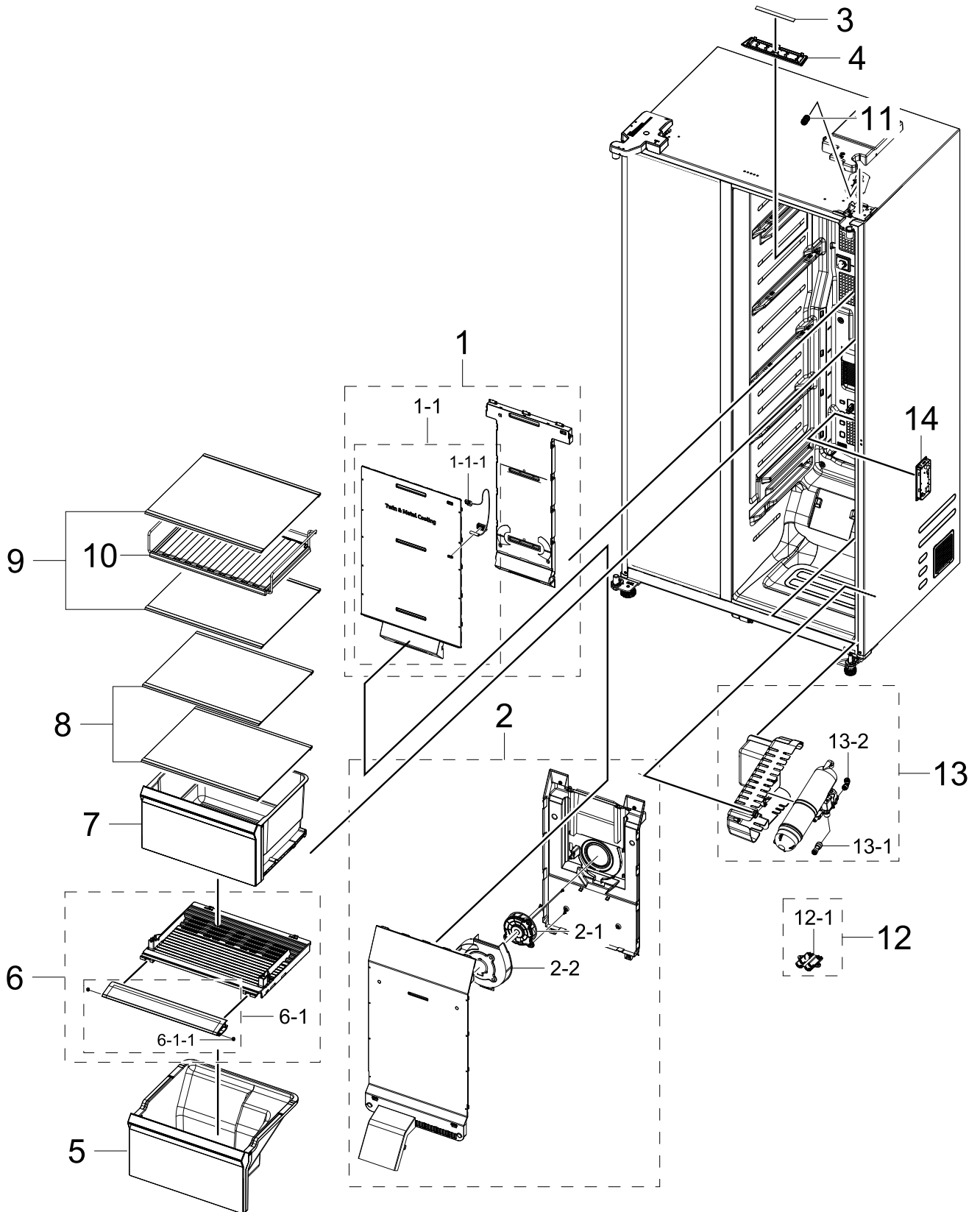
No.	Lvl.	Loc.	Material Code	Description & Specification	SNA	Qty.
1	2	M0304	DA97-23084A	ASSY COVER MULTI-FRE; RS8000BC,Metal	SA	1
1-1	3	M0240	DA97-23085A	ASSY COVER MULTI-FRE FRONT; RS8000BC,Sub	SNA	1
1-1-1	4	A1018	DA32-00070C	SENSOR TEMP; SC41200-021A,L250,13.2kohm,2	SA	1
2	2	M0303	DA97-21681A	ASSY COVER EVAP-FRE; RS8000 Relaunch	SA	1
2-1	3		DA31-00334D	MOTOR BLDC FAN;12035GE-12M-YT,1775±7%,12	SA	1
3	2		DA96-01119A	ASSY LAMP LED; 3EA,FR-4,150*12,WHITE,SMAW	SA	1
4	2		DA97-21569A	ASSY COVER LAMP; RB7300T,COVER LAMP, ASSY	SA	1
5	2	A1186	DA97-19211C	ASSY CASE BASKET-LOW; RS8000AC,TP GRAY,No	SA	1
6	2		DA97-19217C	ASSY COVER SLIDE; RS8000AC,FRE, GPPS, TP	SA	1
6-1	3		DA97-19505C	ASSY COVER SLIDE; RS8000AC,FRE, GPPS, TP	SNA	1
6-1-1	4		DA63-07113A	GROMMET-COVER SIDE; HM12,Si	SA	2
7	2		DA97-19210C	ASSY CASE BASKET-UP; RS8000AC,TP GRAY,No	SA	1
8	2		DA97-16364K	ASSY SHELF-FRE LOW; RS8000AC,LUMINOUS TRI	SA	1
9	2		DA97-16361F	ASSY SHELF-FRE UP; RS8000BC,LUMINOUS TRIM	SA	1
10	2		DA67-05450A	SHELF SLIDE; RS8000BC,HIPS,COOL WHITE,-,S	SA	1
11	2		DA67-05451A	SHELF-FRE; RS8000BC,HIPS,COOL WHITE,-,S83	SA	1
12	2	A0104	DA97-23188A	ASSY ICE MAKER; RS8000BC,InCabi, Dual Ice	SA	1
12-1	3		DA61-15254A	SUPPORT ICE MAKER; RS8000BC,HIPS,T2.5,S83	SA	1
12-2	3		DA97-23211A	ASSY ICE MAKER-BITES; RS8000BC,12V,ICE BI	SNA	1
12-2-1	4		DA61-14661A	GUIDE ICE; RF9000A,PP,BJ750,NATURAL,RF900	SA	1
12-3	3		DA97-23212A	ASSY ICE MAKER-CUBE; RS8000BC,12V,CUBED I	SNA	1
12-3-1	4		DA61-14661A	GUIDE ICE; RF9000A,PP,BJ750,NATURAL,RF900	SA	1
13	2		DA97-23210A	ASSY CASE ICE; RS8000B	SNA	1
14	2		DA97-21256E	ASSY PIPE WATER ICE; RS8000B,NUGGET,Al,-,	SA	1

No.	Lvl.	Loc.	Material Code	Description & Specification	SNA	Qty.
15	2		DA97-21256D	ASSY PIPE WATER ICE; RS8000B,CUBE,Al,-,-,	SA	1
16	2		DA63-11668A	COVER RAIL-LEFT; RS8000BC,PP,T2.5,-,COOL	SA	1
17	2		DA63-11669A	COVER RAIL-RIGHT; RS8000BC,PP,T2.5,-,COOL	SA	1

2. Fridge

Fridge

Exploded View



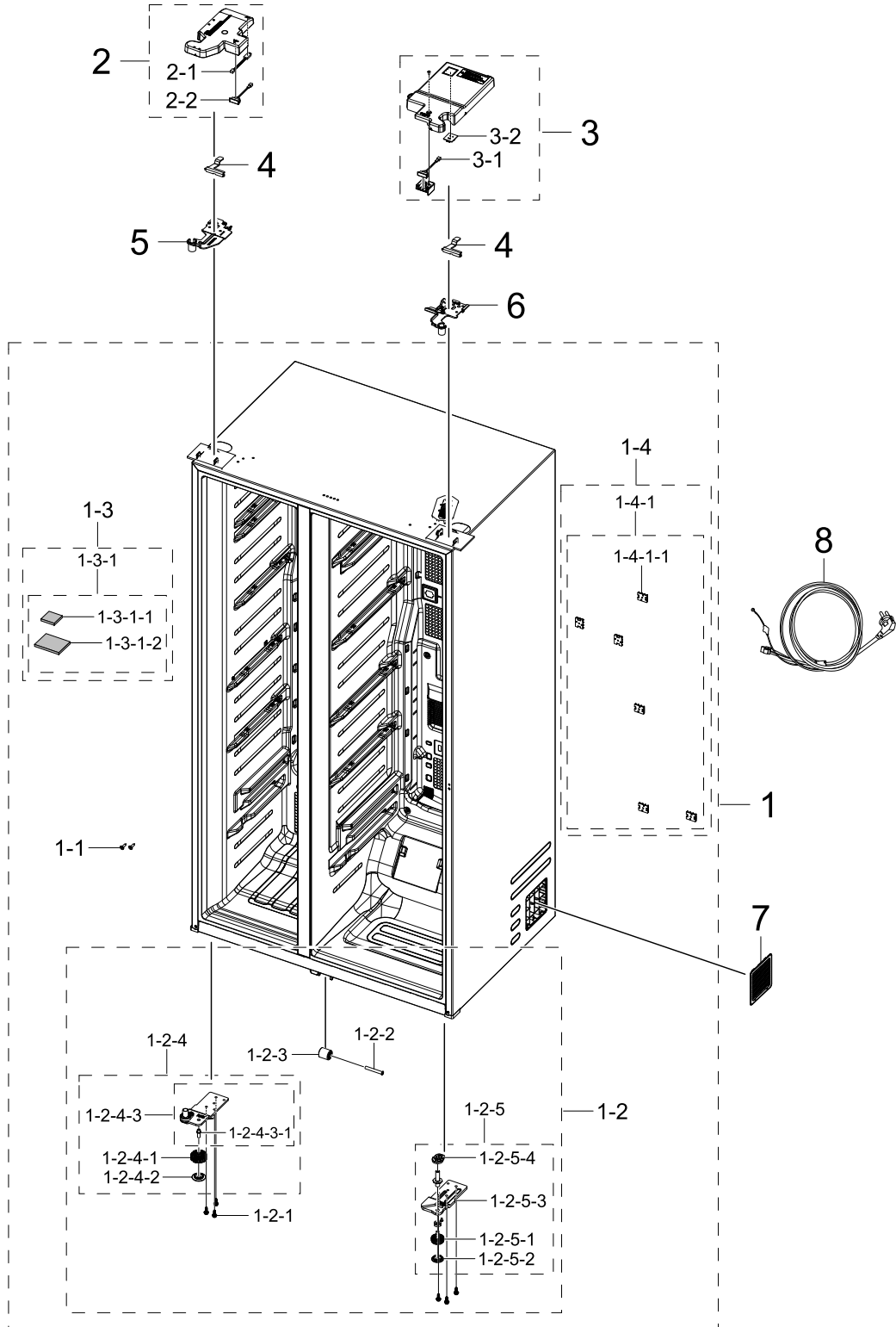
Parts List

No.	Lvl.	Loc.	Material Code	Description & Specification	SNA	Qty.
1	2	G0239	DA97-19189C	ASSY COVER MULTI-REF; RS8000 Relaunch, Met	SA	1
1-1	3	G0239	DA97-20247C	ASSY COVER MULTI-REF; RS8000NC, HIPS, T2.5,	SNA	1
1-1-1	4	A1018	DA32-00070C	SENSOR TEMP; SC41200-021A, L250, 13.2kohm, 2	SA	1
2	2	Z1177	DA97-19188A	ASSY COVER EVAP-REF COVER EVAP MODULE; RS	SA	1
2-1	3		DA31-00334D	MOTOR BLDC FAN; 12035GE-12M-YT, 1775±7%, 12	SA	1
2-2	3		DA61-08437A	GUIDE AIR-REF; HM12, ABS, -, HB, CNTK A-204, B	SA	1
3	2		DA96-01119B	ASSY LAMP LED; 5, FR-4, 150*12, WHITE, SMAW25	SA	1
4	2		DA97-21569A	ASSY COVER LAMP; RB7300T, COVER LAMP, ASSY	SA	1
5	2	M0300	DA97-19213C	ASSY CASE VEG-LOW; RS8000AC, TP GRAY, PLUM,	SA	1
6	2		DA97-19218C	ASSY COVER SLIDE; RS8000AC, REF, GPPS, TP	SA	1
6-1	3		DA97-19504C	ASSY COVER SLIDE; RS8000AC, REF, GPPS, TP	SNA	1
6-1-1	4		DA63-07113A	GROMMET-COVER SIDE; HM12, Si	SA	2
7	2		DA97-19214C	ASSY CASE VEG-UP; RS8000AC, TP GRAY, No Pri	SA	1
8	2		DA97-16363J	ASSY SHELF-REF LOW; RS8000AC, LUMINOUS TRI	SA	2
9	2		DA97-16362K	ASSY SHELF-REF UP; RS8000AC, LUMINOUS TRIM	SA	2
10	2		DA97-21706A	ASSY SHELF WIRE; RS8000AC Re-Launch, TP BL	SA	1
11	2	T0093	DA60-00258B	FITTING TUBE; PP, ID1/4, 1/4'- 1/4'	SA	1
12	2		DA97-15662E	ASSY HOSE-REF; RS8000NC	SA	1
12-1	3		DA63-04744A	COVER-CHECK VALVE; HM, PP, HB, INNER GRAY, CN	SA	1
13	2		DA97-23216A	ASSY COVER WATER TANK; RS8000, 220V	SA	1
13-1	3		DA60-00393A	FITTING TUBE; POM, ID1/4, DOUBLE ORING	SNA	1
13-2	3		DA62-02414A	TUBE-FITTING L; POM, 1/4inch, -, -, 1/4-1/4	SNA	1
14	2	A0626	DA97-21005Z	ASSY COVER CONTROL; RS8000, Plumbing I/M,	SA	1

3. Cabinet

Cabinet

Exploded View



Parts List

No.	Lvl.	Loc.	Material Code	Description & Specification	SNA	Qty.
1	2		DA97-23242A	ASSY CABI FORM-CABI MODULE; RS8000BC,URBA	SNA	1
1-1	3	G0412	6002-001120	SCREW-TAPPING; FH,+,1,M4,L18,ZPC(WHT),SWR	SA	2
1-2	3		DA97-19254X	ASSY CABI-BOTTOM; RS8000BC,PP SCRAP,Dual	SNA	1
1-2-1	4	A0564	DA60-10123C	BOLT-HEX; M6,L24,ZPC(WHT),SWRCH18A,HWH He	SA	6
1-2-2	4	M0146	DA61-01920A	FIXER-CASTER; ZPC2,SWRCH10A,OD8.0,L58	SA	1
1-2-3	4	M0145	DA61-04702A	CASTER-FRONT; AW-PJT,PP,BLACK	SA	1
1-2-4	4		DA97-14046B	ASSY HINGE-LOW LEFT; FSR CD,DISPENSER	SA	1
1-2-4-1	5	A0577	DA61-07972B	FOOT-FRONT; POLARIS,PP,BLACK,-,RM60,INSER	SA	1
1-2-4-2	5	A0863	DA61-07973B	FOOT; POLARIS,PP,BLACK,-,RM60,PP_S	SA	1
1-2-4-3	5		DA61-09275B	HINGE-LOW LEFT; FSR CD,PO-SPHC,T5,-,-,DIS	SNA	1
1-2-4-3-1	6	A0517	DA66-00793A	SHAFT-LEG FRONT; POLARIS,SWRCH10A,BLACK,E	SA	1
1-2-5	4		DA97-23124A	ASSY HINGE-LOW RIGHT; RS8000BC,T7,FSR	SA	1
1-2-5-1	5	A0577	DA61-09458A	FOOT-FRONT; PP,I BLACK,0103-001846,0103-0	SA	1
1-2-5-2	5	A0863	DA61-09459A	FOOT; PP,I BLACK,0103-001846,0103-007621,	SA	1
1-2-5-3	5		DA61-15247A	HINGE-LOW RIGHT; RS8000BC,PO-SPHC,T7,-,-,	SNA	1
1-2-5-4	5		DA66-00891A	CAM-HINGE RISER REF LOW; MONTES ALPHA,PA6	SA	1
1-3	3		DA97-21750B	ASSY PIPE SUCTION; RS8000NC F/L,A++, in-h	SNA	1
1-3-1	4		DA97-21750A	ASSY PIPE SUCTION; RS8000NC F/L,A++, OD7.	SNA	1
1-3-1-1	5		DA62-01018A	SEAL CUTT-RUBBER; RR2500K,RUBBER,T5,W50,L	SA	1
1-3-1-2	5		DA72-60040W	SEAL-CUTT RUBBER; TD-PJT,RUBBER,T5,W35,L3	SA	1
1-4	3		DA97-23228A	ASSY CABI-REAR; RS8000B,GI	SNA	1
1-4-1	4		DA97-23227A	ASSY CABI FRAME-REAR; RS8000B,GI	SNA	1
1-4-1-1	5		DA61-11296A	FIXER; AW3-14,HIPS,NATURAL,576H	SA	6
2	2		DA97-19247A	ASSY COVER HINGE-UP LEFT; RS8000NC,ABS,2.	SA	1
2-1	3	A1108	DA32-00074A	SENSOR HUMIDITY; 5V,0~100%RH,REF	SA	1
2-2	3		DA34-00043J	SWITCH REED; UL1007 AWG 22,50mm	SA	1

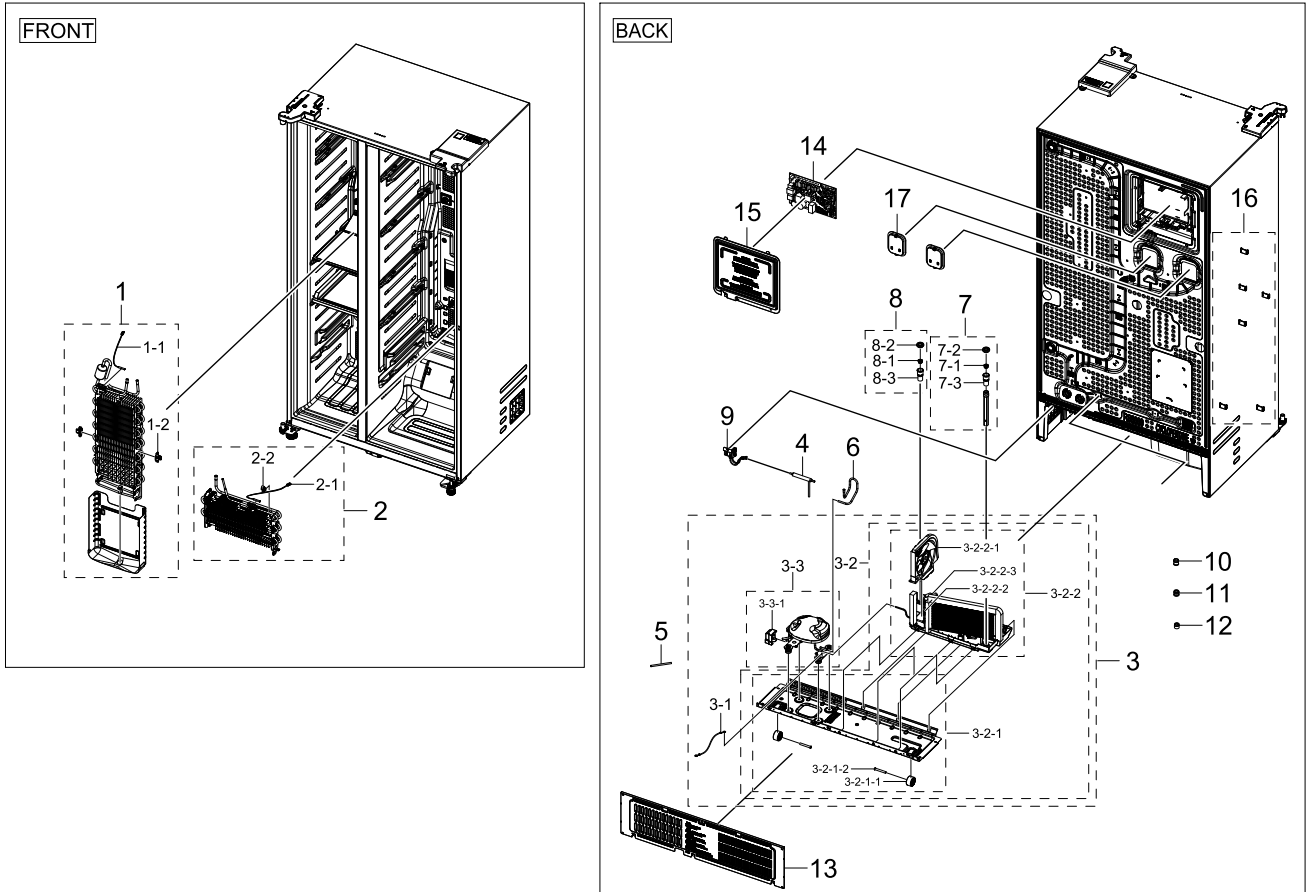
Exploded Views and Parts List

No.	Lvl.	Loc.	Material Code	Description & Specification	SNA	Qty.
3	2		DA97-23086A	ASSY COVER HINGE-UP RIGHT; RS8000BC,INOX	SA	1
3-1	3	G0068	DA34-00043A	SWITCH REED; UL1007 AWG 22,100mm,DEM1-B50	SA	1
3-2	3		DA92-00817A	ASSY MODULE; BUZZER PBA,RB6000K,Standard	SA	1
4	2		DA61-04932B	FIXER-HINGE; PO-SPHC,T3,Zn coating	SA	2
5	2		DA97-19227A	ASSY HINGE-UP LEFT; RS8000NC,BLK	SA	1
6	2		DA97-23123A	ASSY HINGE-UP RIGHT; RS8000BC,T3,FSR	SA	1
7	2		DA63-08062A	COVER UNIT; BK,HIPS,HB,INOX GRAY,576H	SA	1
8	2	A0273	3903-001015	POWER CORD-AT; H05VV-F 3x0.75mm ² ,BLK,EU3F	SA	1

4. Cycle

Cycle

Exploded View



Parts List

No.	Lvl.	Loc.	Material Code	Description & Specification	SNA	Qty.
1	2	A0163	DA96-01316C	ASSY EVAP-FRE EVAP MODULE; RS8000NC,FIN T	SA	1
1-1	3	A1018	DA32-00070Q	SENSOR TEMP; DOUBLE_INSULATION,L200,13.2k	SA	1
1-2	3	G0205	DA61-04921B	FIXER-HEATER FRE; HERMES-PJT,PP,NATURAL,F	SA	2
2	2	A0184	DA96-01318A	ASSY EVAP-REF EVAP MODULE; RS8000NC,FIN T	SA	1
2-1	3	A1018	DA32-00070Q	SENSOR TEMP; DOUBLE_INSULATION,L200,13.2k	SA	1
2-2	3		DA61-06013B	FIXER WIRE; AW3-PJT,PP,T2,NATURAL,HB,BJ75	SA	1
3	2		DA97-22145B	ASSY COMP N CONDENSING-COND MODULE; RS800	SNA	1

Exploded Views and Parts List

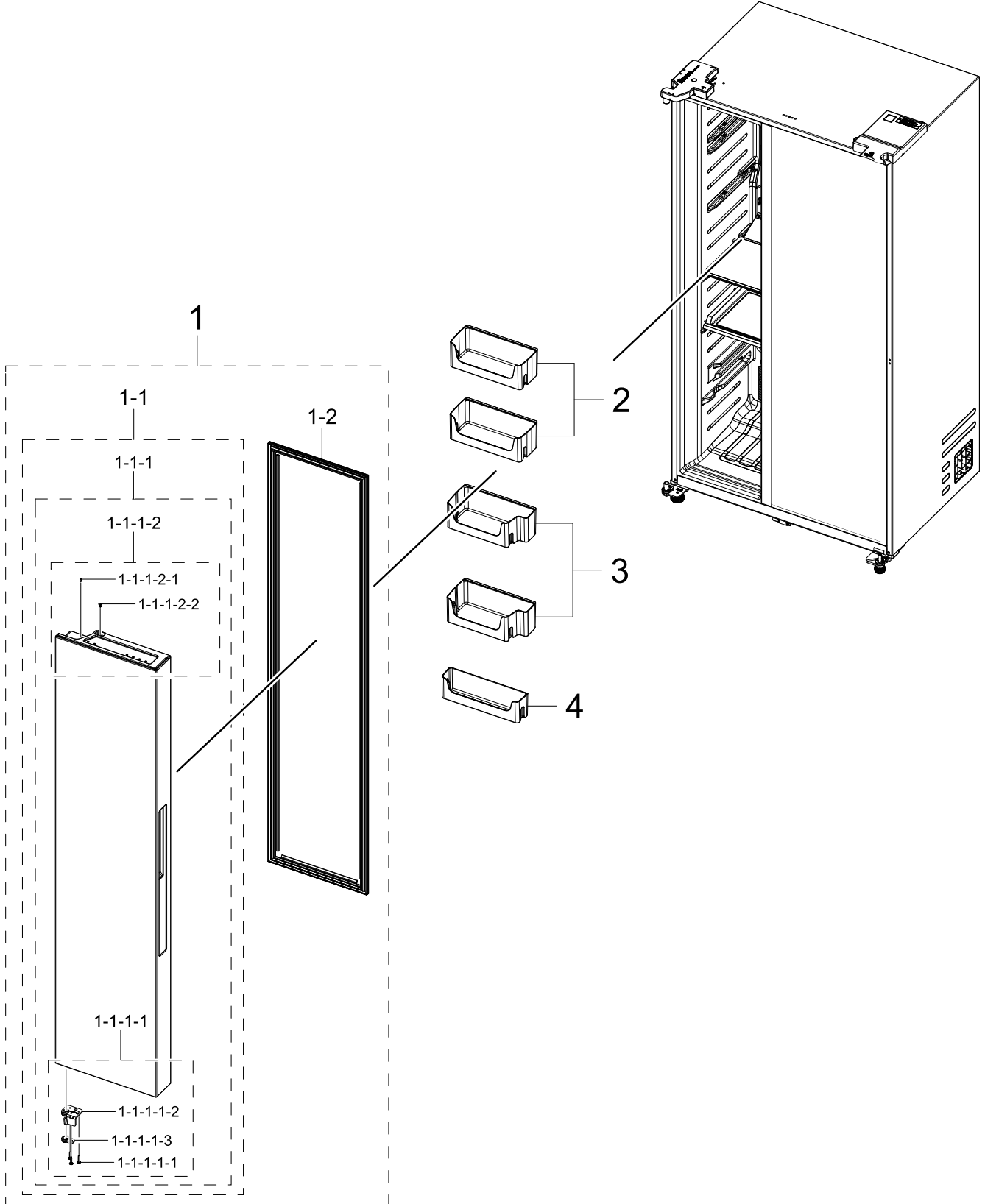
No.	Lvl.	Loc.	Material Code	Description & Specification	SNA	Qty.
3-1	3	A0562	DA39-20389L	ASSY WIRE HARNESS-EARTH; EARTH,ALL,FREE V	SA	1
3-2	3		DA97-19448A	ASSY CHASSIS; RS8000NC	SNA	1
3-2-1	4	A0526	DA97-19127A	ASSY CHASSIS COMP; RS8000NC,GI-SGCC,1.0	SA	1
3-2-1-1	5	A0527	DA61-04703A	CASTER-REAR; AW-PJT,PP,BLACK,M/B(0103-002	SA	2
3-2-1-2	5	M0212	DA66-00649B	SHAFT-CASTER; POLARIS,MSWR10,L44,ID8.0,OD	SA	2
3-2-2	4	A0529	DA97-19128A	ASSY TRAY DRAIN WATER; RS8000NC	SA	1
3-2-2-1	5	M0116	DA97-20025B	ASSY SUPPORT-CIRCUIT MOTOR; RS5000RC,C160	SA	1
3-2-2-2	5		DA97-20131A	ASSY PIPE IMMERSING; RS8000NC,TSW,OD4.76,	SA	1
3-2-2-3	5		DA97-20140A	ASSY PIPE IMMERSING; RS8000NC,TSW,OD4.76,	SA	1
3-3	3		NF94R9151ATTT3	CMP,COMP,REFRIGERATOR,R-600A; CMP,COMP,REFRIGERATOR,R-600A		1
3-3-1	4	Z1032	DA63-06122A	COVER RELAY; MSV,MPPE,T2,BLACK,N300X,V-0	SA	1
4	2	A0669	DA62-04309A	DRYER; C1220T-H,L137,SINGLE MOUTH,OD15.8,	SA	1
5	2	A0523	DA73-10190U	PIPE-CONNECT DISC,B; ALL,C1220T,Cu,OD6.35	SA	1
6	2		DA62-05167A	PIPE CONNECT-SUCTION; RS8000NC,Cu,OD6.35,	SA	1
7	2	M0067	DA97-04049D	ASSY CAP-DRAIN; AW,ASSY,-,-,L224.5,-,FIXE	SA	1
7-1	3	A0336	DA61-05021A	FIXER-DRAIN; HAEMIL,PP,T0.6,CARMEN WINE,B	SA	1
7-2	3		DA63-02761A	GROMMET-DRAIN; RS18RK,NBR,BLACK	SA	1
7-3	3	A0492	DA67-01301A	CAP-DRAIN; AW4,HIPS,HB,576H,NATURAL	SA	1
8	2		DA97-18856A	ASSY CAP DRAIN; RQ9500M	SA	1
8-1	3	A0336	DA61-05021A	FIXER-DRAIN; HAEMIL,PP,T0.6,CARMEN WINE,B	SA	1
8-2	3		DA63-02761A	GROMMET-DRAIN; RS18RK,NBR,BLACK	SA	1
8-3	3	A0492	DA67-01301A	CAP-DRAIN; AW4,HIPS,HB,576H,NATURAL	SA	1
9	2		DA62-04678B	VALVE STEP; DC12V,MODULE,2WAY,RIGHT/RIGHT	SA	1
10	2		DA60-00279A	FITTING LOCK RING; SUM23,-,SILVER,-,16,	SA	1
11	2		DA60-00280A	FITTING-LOKRING 33; SUM23,ID3/16,33, 11SM	SA	1

No.	Lvl.	Loc.	Material Code	Description & Specification	SNA	Qty.
12	2		DA60-00281A	FITTING LOCK SLEEVE; SUM23,ID5.02,11SMnPb	SA	1
13	2	M0076	DA97-19123A	ASSY COVER COMP; RS8000NC,GI-SGCC,T0.25	SA	1
14	1		DA94-06590A	ASSY PCB EEPROM; 0x86,D601,D603,D608,RS80	SA	1
15	2		DA97-23229A	ASSY COVER PBA-MAIN; RS8000BC,GI,T0.4	SA	1
16	2		DA61-12488A	FIXER COVER; AW3-14,HIPS,NATURAL,576H	SA	6
17	2		DA97-23225A	ASSY COVER PIPE WATER; RF8000B,HOOK	SA	2

5. Door Fre

Door Fre

Exploded View



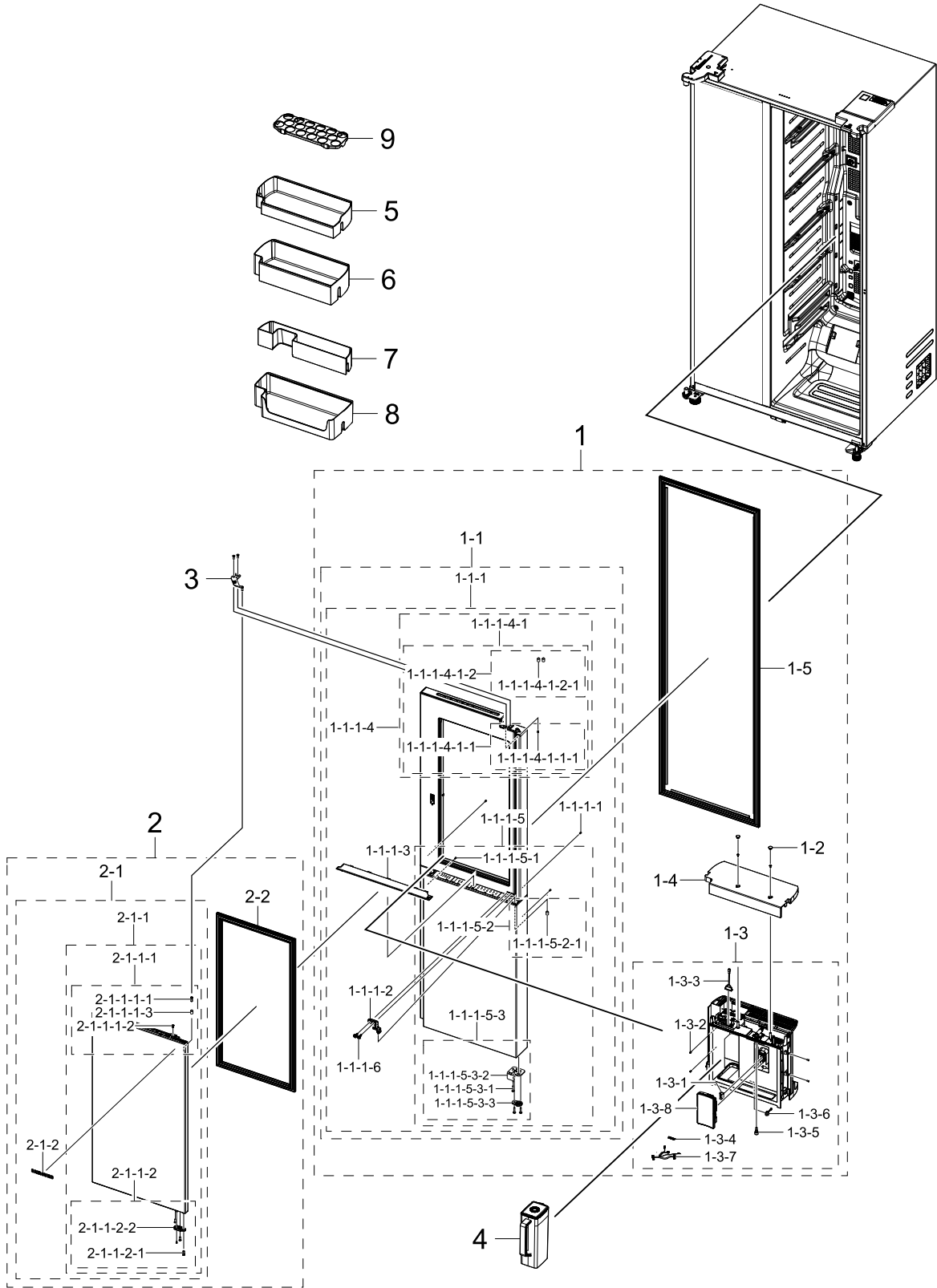
Parts List

No.	Lvl.	Loc.	Material Code	Description & Specification	SNA	Qty.
1	2		DA93-01294B	ASSY DOOR SUB-FRE DOOR MODULE; RS8000BC,S	SNA	1
1-1	3	M0063	DA91-06242B	ASSY DOOR FOAM-FRE; RS8000BC,S9,Non Dispe	SA	1
1-1-1	4		DA97-21734F	ASSY PLATE DOOR-FRE; RS8000BC,RECESS,S9,N	SNA	1
1-1-1-1	5	A0047	DA97-19263E	ASSY CAP DOOR-FRE LOW; RS8000NC,2DOOR, 3D	SNA	1
1-1-1-1-1	6	G0412	6002-000524	SCREW-TAPPING; TH,+,2S,M4,L20,ZPC(WHT),SW	SA	3
1-1-1-1-2	6		DA61-07527A	STOPPER-DOOR FRE LOW; POLARIS,PO-SPHC,T4.	SA	1
1-1-1-1-3	6	M0265	DA66-00558B	CAM HINGE-RISER UPP L; POLARIS,PA66+GF15%	SA	1
1-1-1-2	5		DA97-21729A	ASSY CAP DOOR-FRE UP; RS8000NC,INOX GRAY,	SNA	1
1-1-1-2-1	6	G0412	6002-001547	SCREW-TAPPING; SWRCH18A,ZPC(WHT),L10,M4,F	SA	1
1-1-1-2-2	6		DA67-02795C	CAP-SHAFT HOLE; AW3,ABS,HG-0760GP,SNOW WH	SA	1
1-2	3		DA97-19851G	ASSY GASKET-FRE; RS8000NC,L1642.5,W344.5,	SA	1
2	2	A0711	DA63-09367C	GUARD-FRE; RS8000BC,GPPS,T3,TP GRAY,-,-,1	SA	2
3	2	M0366	DA63-09331C	GUARD-FRE UP; RS8000NC F/L,GPPS,T3.5,TP G	SA	2
4	2	M0365	DA63-09332C	GUARD-FRE LOW; RS8000NC F/L,GPPS,T3.5,TP	SA	1

6. Door Ref

Door Ref

Exploded View



Parts List

No.	Lvl.	Loc.	Material Code	Description & Specification	SNA	Qty.
1	2		DA93-01255B	ASSY DOOR SUB-REF IN DOOR MODULE; RS8000B	SNA	1
1-1	3		DA91-06166B	ASSY DOOR FOAM-REF IN; RS8000BC,MATT DOI	SA	1
1-1-1	4		DA97-23112B	ASSY PLATE DOOR-REF; RS8000BC,MATT DOI ME	SNA	1
1-1-1-1	5	G0412	6002-001547	SCREW-TAPPING; SWRCH18A,ZPC(WHT),L10,M4,F	SA	2
1-1-1-2	5		DA61-13847A	HINGE-MIDDLE RIGHT; RS5000T,Zn,T4.5,BLACK	SA	1
1-1-1-3	5		DA63-09718D	COVER CAP DOOR-REF UP; RS8000BC,ABS,-,-,I	SA	1
1-1-1-4	5		DA97-23560C	ASSY PLATE DOOR-REF UP; RS8000BC,BLACK CA	SNA	1
1-1-1-4-1	6		DA97-23524B	ASSY CAP DOOR-REF UP; RS8000BC,ABS,INOX G	SNA	1
1-1-1-4-1-1	7		DA97-23114B	ASSY CAP DOOR-REF UP; RS8000BC,ABS,INOX G	SNA	1
1-1-1-4-1-1-1	8	G0412	6002-001547	SCREW-TAPPING; SWRCH18A,ZPC(WHT),L10,M4,F	SA	1
1-1-1-4-1-2	7		DA96-01511B	ASSY WIRE HARNESS-DOOR; RS8000BC,FSR,BSC,	SNA	1
1-1-1-4-1-2-1	8	M0208	DA73-00211A	RUBBER-CAP HOSE; RS8000,Si,-,-,GRAY,-	SA	2
1-1-1-5	5		DA97-23561B	ASSY PLATE DOOR-REF LOW; RS8000BC,MATT DO	SNA	1
1-1-1-5-1	6	G0412	6002-001547	SCREW-TAPPING; SWRCH18A,ZPC(WHT),L10,M4,F	SA	2
1-1-1-5-2	6		DA97-23115A	ASSY CAP DOOR-MIDDLE UP; RS8000BC,ABS,BLA	SNA	1
1-1-1-5-2-1	7	M0208	DA73-00211A	RUBBER-CAP HOSE; RS8000,Si,-,-,GRAY,-	SA	1
1-1-1-5-3	6	A0048	DA97-23116A	ASSY CAP DOOR-REF LOW; RS8000BC,ABS,BLACK	SNA	1
1-1-1-5-3-1	7	A0848	6001-000715	SCREW-MACHINE; SWRCH18A,ZPC(WHT),L16,M5,T	SA	1
1-1-1-5-3-2	7	A1017	DA61-07526A	STOPPER-DOOR REF LOW; POLARIS,PO-SPHC,T4.	SA	1
1-1-1-5-3-3	7	G0554	DA66-00557A	CAM HINGE-RISER UPP R; GUGGENHEIM,PA66+GF	SA	1
1-1-1-6	5		6011-006365	BOLT-ETC; M6,L20,ZPC(BLK),FH,TORX,SWRCH18	SA	1
1-2	3		DA67-30266Q	CAP SCREW; RF9000A,PP,T1.5,BJ730,NEO VICT	SA	2
1-3	3		DA97-17399K	ASSY CASE INNER; RS8000B,NEO VICTORY GRAY	SA	1

Exploded Views and Parts List

No.	Lvl.	Loc.	Material Code	Description & Specification	SNA	Qty.
1-3-1	4	A0842	3405-001117	SWITCH-MICRO; 125/250VAC,1A,80gf,SPST-NO	SA	1
1-3-2	4	G0412	6002-001547	SCREW-TAPPING; SWRCH18A,ZPC(WHT),L10,M4,F	SA	2
1-3-3	4		DA34-00043M	SWITCH REED; UL1007 AWG 22,L100	SA	1
1-3-4	4		DA61-11032A	FIXER; RT5000K,PA66,WHITE,KN3322V0,7P Ret	SA	1
1-3-5	4		DA61-13987A	CASE COCK; RS5000T,STS304,METAL SILVER,Wa	SA	1
1-3-6	4		DA67-04504D	CAP FIXER-TUBE; RR9000A,Si,T3,DARK GRAY	SA	1
1-3-7	4		DA96-01471C	ASSY WIRE HARNESS-DISPENSER; ALL,DISPLAY,	SA	1
1-3-8	4		DA97-17297C	ASSY LEVER DISPENSER; AW facelift,No prin	SA	1
1-4	3		DA63-11666A	COVER-AUTOFILL; RS8000B,ABS,T3,-,NEO VICT	SA	1
1-5	3		DA97-19851E	ASSY GASKET-REF; RS8000NC,L1642.5,W469.5,	SA	1
2	2		DA93-01256B	ASSY DOOR SUB-REF OUT DOOR MODULE; RS8000	SNA	1
2-1	3		DA91-06167B	ASSY DOOR FOAM-REF OUT; RS8000BC,MATT DOI	SA	1
2-1-1	4		DA97-23113B	ASSY PLATE DOOR-REF; RS8000BC,MATT DOI ME	SNA	1
2-1-1-1	5		DA97-23117B	ASSY CAP DOOR-REF UP; RS8000BC,ABS,INOX G	SNA	1
2-1-1-1-1	6		DA63-07545A	GROMMET HINGE-MIDDLE; FOOD SHOWCASE,PA66+	SA	1
2-1-1-1-2	6		DA67-02795C	CAP-SHAFT HOLE; AW3,ABS,HG-0760GP,SNOW WH	SA	1
2-1-1-1-3	6	M0208	DA73-00211A	RUBBER-CAP HOSE; RS8000,Si,-,-,GRAY,-	SA	1
2-1-1-2	5	A0048	DA97-23118B	ASSY CAP DOOR-REF LOW; RS8000BC,ABS,INOX	SNA	1
2-1-1-2-1	6		DA63-07545A	GROMMET HINGE-MIDDLE; FOOD SHOWCASE,PA66+	SA	1
2-1-1-2-2	6		DA66-01415C	LEVER AUTO CLOSE; RS8000BC,POM,T2,W26,L58	SA	1
2-1-2	4	M0196	DA64-04020C	MASCOT; ALL,Ni,T0.06,L80	SA	1
2-2	3		DA97-23120A	ASSY GASKET-REF; RS8000BC,W361.2, L773.8,	SA	1
3	2		DA97-20720A	ASSY HINGE-UP RIGHT; RS5000T,T4,OUT	SA	1
4	2		DA97-21261K	ASSY CASE WATER FILTER; RF8000B,PCT (heat	SA	1
5	2		DA63-09706B	GUARD-REF TOP; RS8000BC,GPPS,T3,TP GRAY,-	SA	1

No.	Lvl.	Loc.	Material Code	Description & Specification	SNA	Qty.
6	2	M0447	DA63-09707B	GUARD-REF UP; RS8000BC,GPPS,T3,TP GRAY,-,	SA	1
7	2	M0447	DA63-09329C	GUARD-REF UP; RS8000NC F/L,GPPS,T3.5,TP G	SA	1
8	2		DA63-11635A	GUARD-REF SUB; RS8000BC,GPPS,T3,TP GRAY,-	SA	1
9	2	A0656	DA67-40322A	TRAY EGG; SR-51.55.59,GPPS,TP BLUE	SA	1