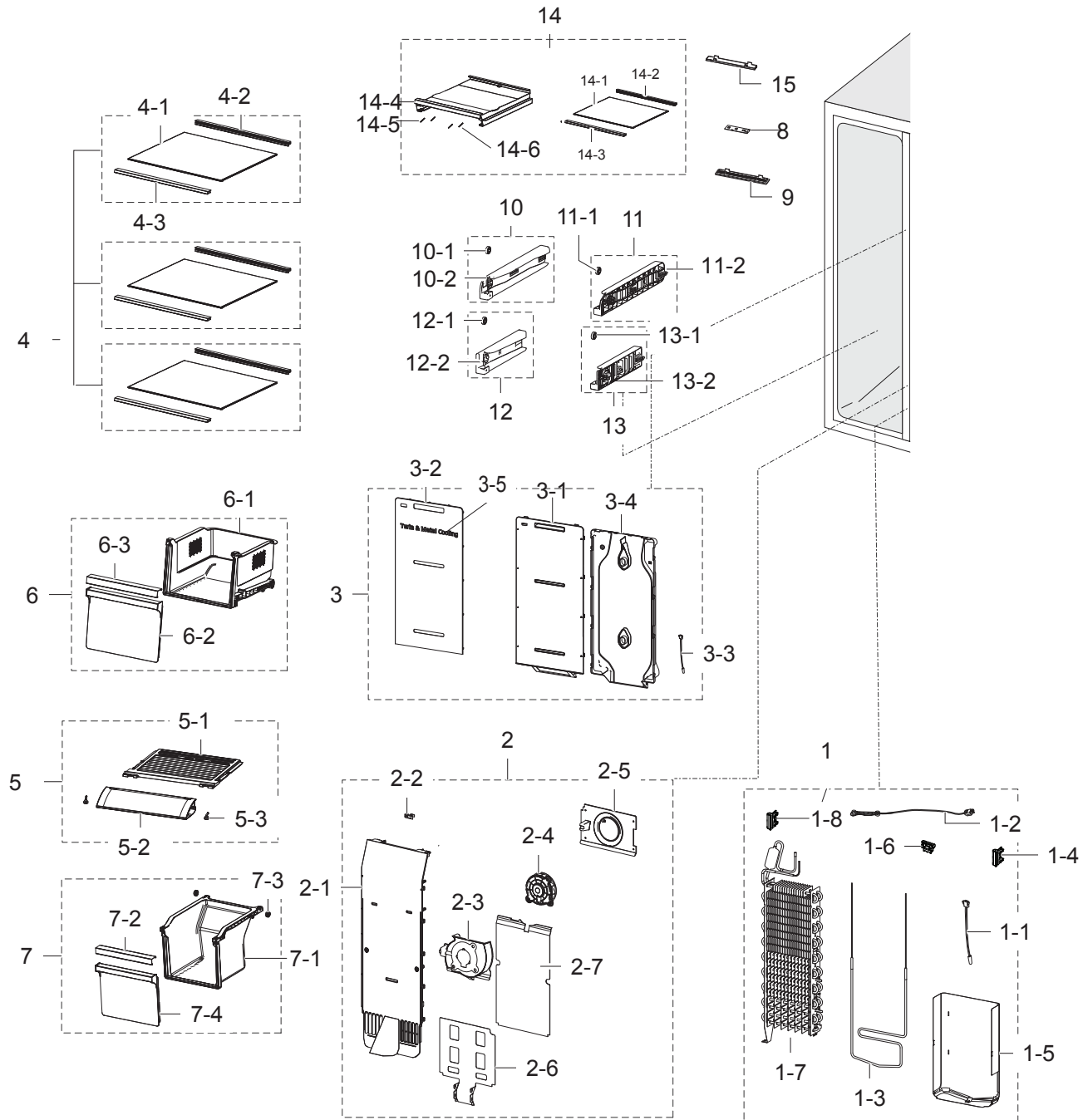


EXPLODED VIEW PART LIST

1-1 Freezer



EXPLODED VIEW PART LIST

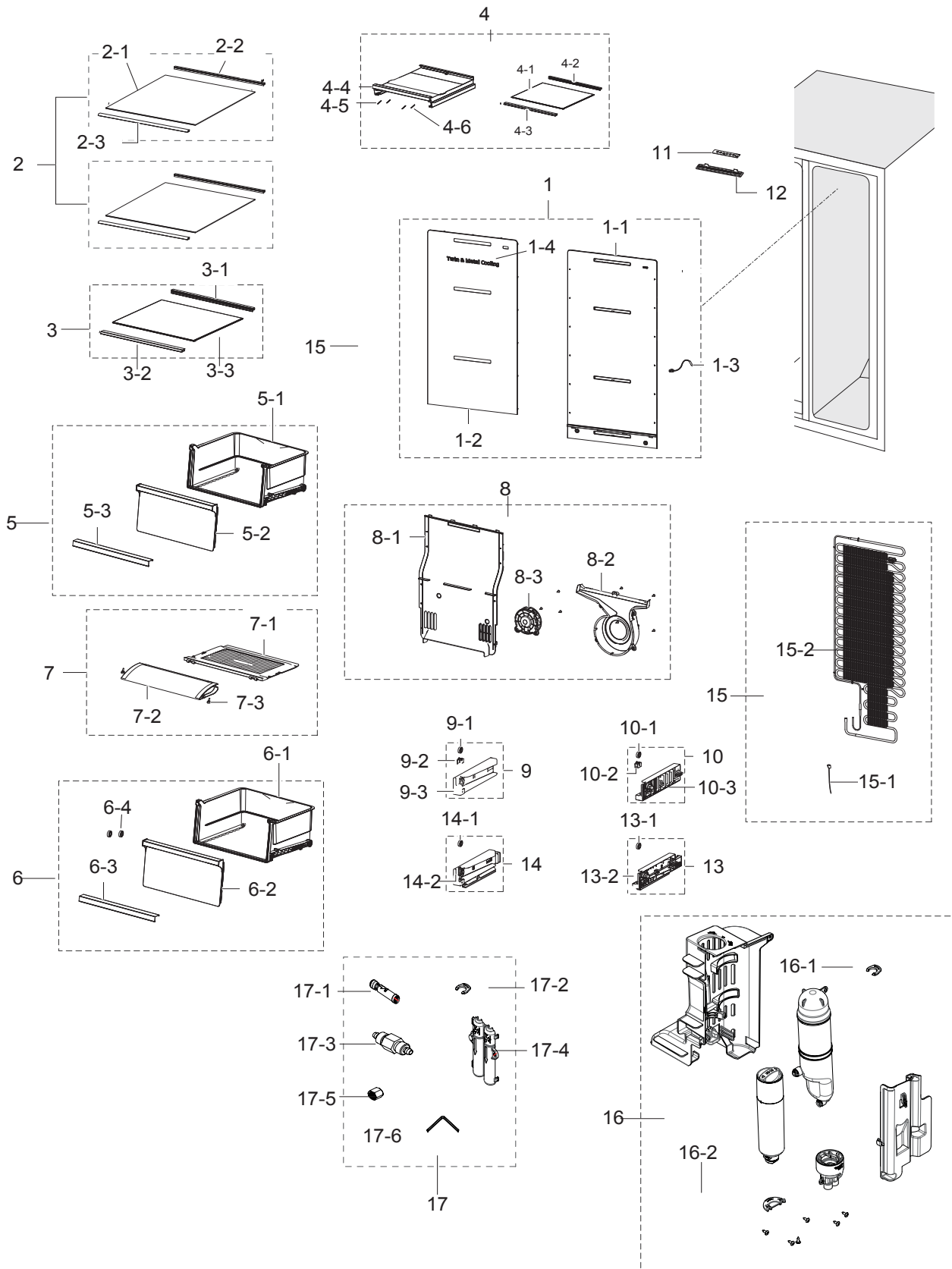
NO	CODE NO	PART NAME	Specification	Unit	SA/SNA	Qty
1	DA96-00897A	ASSY EVAP-FRE	SUPER STAR,220V~240V	PC	SA	1
1-1	DA32-00059B	SENSOR TEMP	SUPERSTAR,5V,F-DEF,WHITE,160	PC	SA	1
1-2	DA47-00301D	THERMO FUSE-ASSY		PC	SA	1
1-3	DA47-00444A	HEATER-METAL SHEATH	AC230V,SUPERSTAR , 265ohm,200W,INCOLOY840,-,- .Bimetal,35965-9210*2ea	PC	SA	1
1-4	DA61-00603A	FIXER-SENSOR		PC	SA	1
1-5	DA61-07279A	PLATE-DRAIN EVAP FRE		PC	SNA	1
1-6	DA61-07410A	FIXER-HEATER FRE	NW2,PP,NATURAL,BJ750	PC	SA	2
1-7	DA59-00537A	EVAP-FRE	SUPER STAR	PC	SNA	1
1-8	DA61-07411A	FIXER-FUSE	NW2,PP,NATURAL,BJ750	PC	SA	1
2	DA97-16278A	ASSY COVER EVAP-FRE	RS6500	PC	SA	1
2-1	DA63-08387A	COVER EVAP-FRE	RS6500,HIPS,COOL WHITE,S834S1	PC	SNA	1
2-3	DA61-10948A	GUIDE AIR	RS6500,HIPS,S834S1,NATURAL	PC	SNA	1
2-4	DA31-00287B	MOTOR BLDC FAN		PC	SA	1
2-5	DA61-08425A	CASE-MOTOR FRE	HM12,ABS,LIGHT GRAY,CNTK A-204	PC	SA	1
2-6	DA61-10950A	PLATE INS-FRE		PC	SNA	1
2-7	DA62-01139D	SEAL CUTT	PE OPEN CELL, T5,W15,L1000	M	SNA	
3	DA97-16298A	ASSY COVER MULTI-FRE	RS6500,METAL, DISPENSER	PC	SA	1
3-1	DA63-08385A	COVER MULTI-FRE	HIPS,COOL WHITE,S834S1	PC	SNA	1
3-2	DA61-10947A	PLATE COOLING		PC	SNA	1
3-3	DA32-00011D	SENSOR TEMP	DKST1329GW,TD-PJT,-50~80,5V,-,-,R SENSOR,YELLOW,500MM	PC	SA	1
3-4	DA63-08386A	COVER MULTI-FRE REAR	RS6500,PP,NATURAL,BJ750	PC	SNA	1
3-5	DA64-04618A	INLAY	MOULTON13,PET,-,In Evaporation	PC	SA	1
4	DA97-16364B	ASSY SHELF-FRE LOW	RS6500KC,H/S	PC	SA	3
4-1	DA64-05028A	GLASS-SHELF FRE LOW		PC	SNA	1
4-2	DA64-04395F	TRIM SHELF-FRE REAR		PC	SNA	1
4-3	DA64-04407F	TRIM SHELF-FRE FRONT	LATOOR,ABS,ABS+SOFT URETHAN,COOL HAIRLINE	PC	SNA	1
5	DA97-16421A	ASSY COVER DRAWER-FRE FLIP	RS6500KC,Silver trim	PC	SA	1
5-1	DA63-07861B	COVER DRAWER-FRE FLIP	RS6500KC,GPPS,TP BLUE	PC	SNA	1
5-2	DA61-10927A	FIXER COVER-FRE	RS6500KC,PP,NATURAL,BJ750	PC	SNA	1
5-3	DA63-06107A	GROMMET-DRAWER FLIP	POLARIS,SI,transparency	PC	SA	2
6	DA97-16422A	ASSY CASE BASKET-UP	RS6500KC,Silver trim	PC	SA	1
6-1	DA61-10923A	CASE BASKET-UP	RS6500KC,PP,COOL WHITE,BJ750	PC	SNA	1
6-2	DA63-07486A	COVER BASKET-FRONT	LATOOR,GPPS,TP BLUE,G116HV	PC	SNA	1
6-3	DA64-04565C	TRIM BASKET-FRE	HOT-STAMPING	PC	SNA	1
7	DA97-16423A	ASSY CASE BASKET-LOW	RS6500KC,Silver trim	PC	SA	1
7-1	DA61-10928A	CASE BASKET-LOW	RS6500KC,PP,COOL WHITE,BJ750	PC	SNA	1
7-2	DA64-04565C	TRIM BASKET-FRE	HOT-STAMPING	PC	SNA	1
7-3	DA66-10104A	ROLLER-FRE	POM,D22,NATURAL	PC	SA	2
7-4	DA63-07486A	COVER BASKET-FRONT	LATOOR,GPPS,TP BLUE,G116HV	PC	SNA	1

EXPLODED VIEW PART LIST

NO	CODE NO	PART NAME	Specification	Unit	SA/SNA	Qty
8	DA96-01119A	ASSY LAMP LED	3EA,FR-4,150*12,WHITE,SMAW250-	PC	SA	1
9	DA63-05431A	COVER-LED SIDE	AW3,SAN,NTR	PC	SA	2
10	DA97-12240A	ASSY RAIL-L	SUPER STAR,SSEC,COOL WHITE,HIPS	PC	SA	1
10-1	DA66-00420A	ROLLER-RAIL LOW	N07-PJT,SSEC,POM,NTR	PC	SA	1
10-2	DA61-07272A	RAIL-L	SUPER STAR,HIPS,COOL WHITE	PC	SNA	1
11	DA97-12241A	ASSY RAIL-R	SUPER STAR,SSEC,COOL WHITE,HIPS	PC	SA	1
11-1	DA66-00420A	ROLLER-RAIL LOW	N07-PJT,SSEC,POM,NTR	PC	SA	1
11-2	DA61-07274A	RAIL-R	SUPER STAR,HIPS,COOL WHITE	PC	SNA	1
12	DA97-14144B	ASSY RAIL-LOW LEFT	RS6500,COOL WHITE,HIPS	PC	SNA	1
12-1	DA61-07403A	FIXER-ROLLER	NW2,PA66,NATURAL,KN3311	PC	SA	1
12-2	DA61-09214B	RAIL TRAY-LOW RIGHT	RS6500,HIPS,COOL WHITE,HG-1760SF	PC	SA	1
13	DA97-14143B	ASSY RAIL-LOW RIGHT	RS6500,COOL WHITE,HIPS	PC	SNA	1
13-1	DA61-07403A	FIXER-ROLLER	NW2,PA66,NATURAL,KN3311	PC	SA	1
13-2	DA61-09215B	RAIL TRAY-LOW LEFT	RS6500,HIPS,COOL WHITE,S834S1	PC	SA	1
14	DA97-16404B	ASSY SHELF-FRE	RS6500KC,DISPENSER MODEL	PC	SA	1
14-1	DA64-05087A	GLASS-SHELF FRE UP	MODEL	PC	SNA	1
14-2	DA64-04395F	TRIM SHELF-FRE REAR		PC	SNA	1
14-3	DA64-04407F	TRIM SHELF-FRE FRONT	LATOUR,ABS,ABS+SOFT URETHAN,COOL HAIRLINE	PC	SNA	1
14-4	DA67-04266A	SHELF-FRE	RS6500KC,GPPS,TP BLUE,DISPENSER MODEL	PC	SNA	1
14-5	DA63-07113A	GROMMET-COVER SIDE	HM12,SI,Transparency	PC	SNA	1
14-6	DA63-40305A	GROMMET-RAIL	CHILLED,PA6	PC	SNA	4
15	DA67-03879A	CAP AIR-OUT	FSR-CD,ABS,HB,HG-0760GP,COOL WHITE	PC	SA	1

EXPLODED VIEW PART LIST

1-2 Fridge



EXPLODED VIEW PART LIST

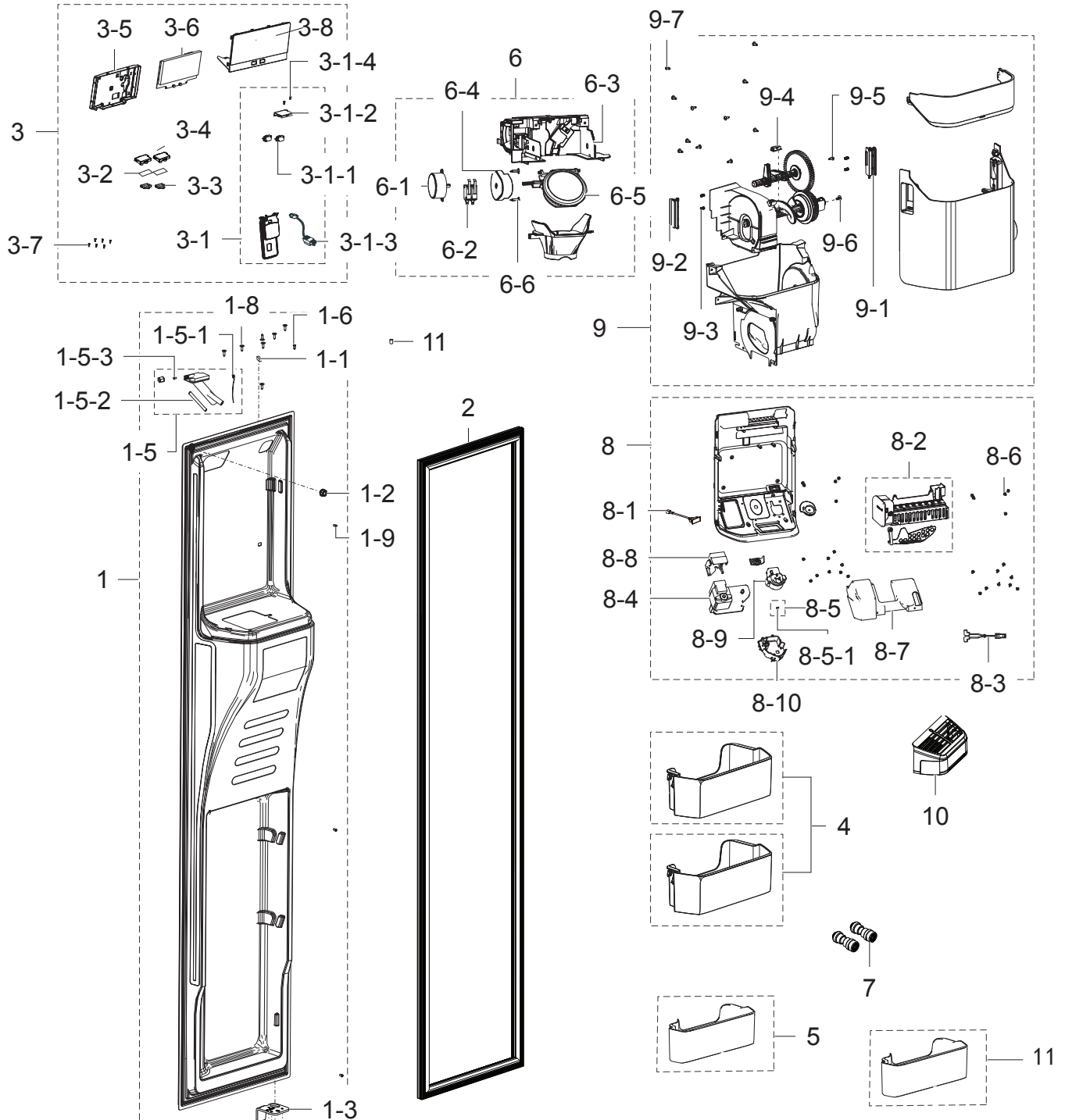
NO	CODE NO	PART NAME	Specification	Unit	SA/SNA	Qty
1	DA97-16972C	ASSY COVER EVAP-REF	RS6500KC	PC	SA	1
1-1	DA63-08375A	COVER EVAP-REF	HIPS,COOL WHITE,S834S1	PC	SNA	1
1-2	DA61-10946B	PLATE COOLING-REF		PC	SNA	1
1-3	DA32-00006C	SENSOR TEMP	PX-41C,W2 PJT, R/F DEF-SENSOR,	PC	SC	1
1-4	DA64-04618A	INLAY	MOUTON13,PET,-,In Evaporation	PC	SA	1
2	DA97-16362B	ASSY SHELF-REF UP	RS6500KC,HOT STAMPING	PC	SA	2
2-1	DA64-04407H	TRIM SHELF-FRONT	FSR-CD,ABS,775E,COOL WHITE,THREE OF EXTENTION,SILVER HOT STAMPING	PC	SNA	1
2-2	DA64-04395K	TRIM SHELF-REAR	FSR CD,HIPS,S834S1,COOL WHITE	PC	SNA	1
2-3	DA64-05031A	GLASS-SHELF REF UP		PC	SNA	1
3	DA97-16363B	ASSY SHELF-REF LOW	RS6500KC,HOT STAMPING	PC	SA	1
3-1	DA64-04395K	TRIM SHELF-REAR	FSR CD,HIPS,S834S1,COOL WHITE	PC	SNA	1
3-2	DA64-04407H	TRIM SHELF-FRONT	FSR-CD,ABS,775E,COOL WHITE,THREE OF EXTENTION,SILVER HOT STAMPING	PC	SNA	1
3-3	DA64-05029A	GLASS-SHELF REF LOW		PC	SNA	1
4	DA97-16416A	ASSY SHELF-REF	RS6500KC	PC	SA	1
4-1	DA64-05031A	GLASS-SHELF REF UP		PC	SNA	1
4-2	DA64-04395K	TRIM SHELF-REAR	FSR CD,HIPS,S834S1,COOL WHITE	PC	SNA	1
4-3	DA64-04407H	TRIM SHELF-FRONT	FSR-CD,ABS,775E,COOL WHITE,THREE OF EXTENTION,SILVER HOT STAMPING	PC	SNA	1
4-4	DA67-04192A	SHELF-REF	RS6500KC,GPPS,TP BLUE	PC	SNA	1
4-5	DA63-07113A	GROMMET-COVER SIDE	HM12,SI,Transparency	PC	SNA	1
5	DA97-14711A	ASSY CASE VEG-UP	FSR CD	PC	SA	1
5-1	DA61-09851A	CASE VEG-UP	FSR CD,PP,COOL WHITE,BJ750	PC	SNA	1
5-2	DA63-07487A	COVER VEG-FRONT	LATOUR,GPPS,TP BLUE,G116HV	PC	SNA	1
5-3	DA64-04565D	TRIM BASKET-REF	HOT-STAMPING	PC	SNA	1
6	DA97-16419A	ASSY CASE VEG-LOW	RS6500KC,DISPENSER	PC	SA	1
6-1	DA61-10926A	CASE VEG-LOW	RS6500KC,PP,COOL WHITE,BJ750	PC	SNA	1
6-2	DA63-07487A	COVER VEG-FRONT	LATOUR,GPPS,TP BLUE,G116HV	PC	SNA	1
6-3	DA64-04565D	TRIM BASKET-REF	HOT-STAMPING	PC	SNA	1
6-4	DA66-10104A	ROLLER-FRE	POM,D22,NATURAL	PC	SA	2
7	DA97-16449A	ASSY COVER DRAWER-REF FLIP	RS6500KC	PC	SA	1
7-1	DA61-10929A	FIXER COVER-REF	RS6500KC,PP,NATURAL,BJ750	PC	SNA	1
7-2	DA63-08369A	COVER DRAWER-REF FLIP	RS6500KC,GPPS,TP BLUE,168N	PC	SNA	1
7-3	DA63-06107A	GROMMET-DRAWER FLIP	POLARIS,SI,transparency	PC	SA	2
8	DA97-16299B	ASSY COVER DAMPER-REF	RS6500KC	PC	SA	1
8-1	DA63-08384A	COVER DAMPER-REF	RS6500,HIPS,COOL WHITE,S834S1	PC	SNA	1
8-2	DA63-08383A	COVER DAMPER-REF	RS6500,HIPS,NATURAL,S834S1,REAR	PC	SNA	1
8-3	DA31-00287B	MOTOR BLDC FAN		PC	SA	1

EXPLODED VIEW PART LIST

NO	CODE NO	PART NAME	Specification	Unit	SA/SNA	Qty
9	DA97-14144B	ASSY RAIL-LOW LEFT	RS6500,COOL WHITE,HIPS	PC	SNA	1
9-1	DA61-07403A	FIXER-ROLLER	NW2,PA66,NATURAL,KN3311	PC	SA	1
9-2	DA61-09215B	RAIL TRAY-LOW LEFT	RS6500,HIPS,COOL WHITE,S834S1	PC	SA	1
9-3	DA66-00856A	ROLLER-FRE	NW2,POM,NTR	PC	SA	1
10	DA97-14143B	ASSY RAIL-LOW RIGHT	RS6500,COOL WHITE,HIPS	PC	SNA	1
10-1	DA61-07403A	FIXER-ROLLER	NW2,PA66,NATURAL,KN3311	PC	SA	1
10-2	DA61-09214B	RAIL TRAY-LOW RIGHT	RS6500,HIPS,COOL WHITE,HG-1760SF	PC	SA	1
10-3	DA66-00856A	ROLLER-FRE	NW2,POM,NTR	PC	SA	1
11	DA96-01119B	ASSY LAMP LED	6,FR-4,150*12,WHITE,SMAW250-	PC	SA	1
12	DA63-05431A	COVER-LED SIDE	AW3,SAN,NTR	PC	SA	2
13	DA97-12240A	ASSY RAIL-L	SUPER STAR,SSEC,COOL WHITE,HIPS	PC	SA	1
13-1	DA66-00420A	ROLLER-RAIL LOW	N07-PJT,SSEC,POM,NTR	PC	SA	1
13-2	DA61-09214B	RAIL TRAY-LOW RIGHT	RS6500,HIPS,COOL WHITE,HG-1760SF	PC	SA	1
14	DA97-12241A	ASSY RAIL-R	SUPER STAR,SSEC,COOL WHITE,HIPS	PC	SA	1
14-1	DA66-00420A	ROLLER-RAIL LOW	N07-PJT,SSEC,POM,NTR	PC	SA	1
14-2	DA61-09215B	RAIL TRAY-LOW LEFT	RS6500,HIPS,COOL WHITE,S834S1	PC	SA	1
15	DA96-01185A	ASSY EVAP-REF	RH9000K,FIN TUBE,AL	PC	SA	1
15-1	DA32-00072A	SENSOR TEMP		PC	SA	1
15-2	DA59-00591A	EVAPORATOR-REF	Fin Tube,RH9000K,Alumite,1Stage,AL1070,7,Fin AL1100,35,20	PC	SNA	1
16	DA97-16266A	ASSY CASE WATER FILTER-SIDE	FSR	PC	SA	1
16-1	DA61-04521A	CLIP-FITTING LOCK	AW,POM,BLUE,500P,5/16inch	PC	SA	1
16-2	DA62-01368F	PIPE-WATER LINE		M	SA	
17	DA97-05926Z	ASSY-INSTALL FILTER	GUGGENHEIM	PC	SA	1
17-1	DA60-00336A	FITTING TUBE	POM,1/4	PC	SA	1
17-2	DA61-04521A	CLIP-FITTING LOCK	AW,POM,BLUE,500P,5/16inch	PC	SA	1
17-3	DA62-01378B	VALVE-FITTING PU	AT06,C3604BD-F,-,-,-	PC	SA	1
17-4	DA63-04744A	COVER-CHECK VALVE	HM,PP,HB,GRAY,CNTK-P-101,Recycle	PC	SA	1
17-5	DA74-00070B	VALVE-FITTING NUT	A-TOP,CU,12,C3604 BD-F	PC	SA	2
17-6	DA80-00002F	WRENCH-SPANNER	AW3,SM45C,Zn PLATING	PC	SA	1

EXPLODED VIEW PART LIST

1-3 Freezer door



EXPLODED VIEW PART LIST

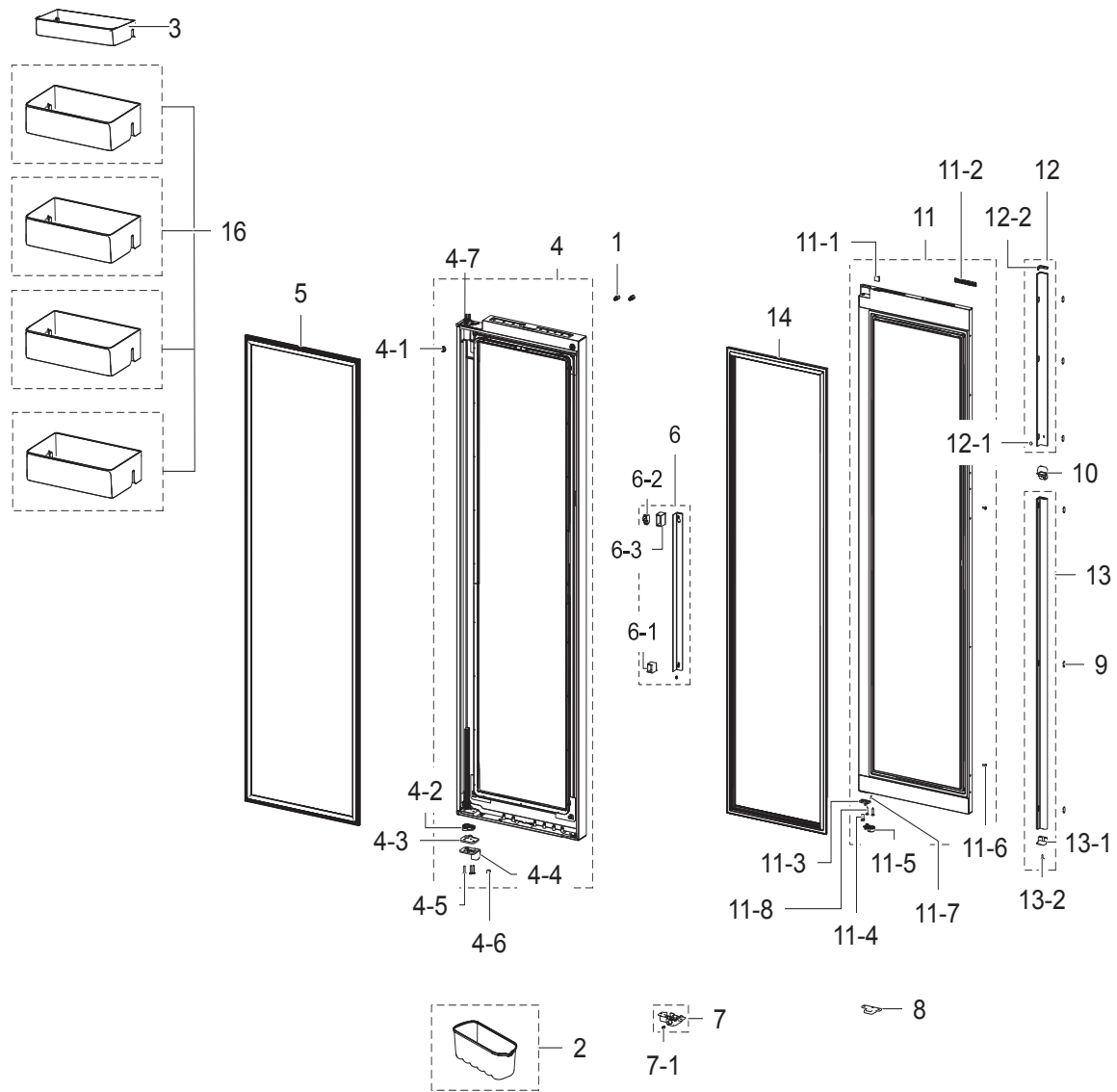
NO	CODE NO	PART NAME	Specification	Unit	SA/SNA	Qty
1	DA91-04532V	ASSY DOOR FOAM-FRE	RS6500KC,FSR,2GRADE,A+,SL,DISPENSER,PLUMBI NG,220V	PC	SA	1
1-1	DA61-03949A	MAGNET	ES-PJT,SSEC,FERRITE,1600Gauss	PC	SA	1
1-2	DA97-11151D	ASSY FIXER-MOVABLE		PC	SNA	1
1-3	DA61-07527A	STOPPER-DOOR FRE LOW		PC	SA	1
1-4	DA66-00558B	CAM HINGE-RISER UPP L	POLARIS,PA66,BLACK,ANNEALING	PC	SA	1
1-5	DA97-06542K	ASSY PIPE WATER ICE	RS6500KC,230V, IN DOOR ICE MAKER	PC	SNA	1
1-5-2	DA62-02429T	PIPE-WATER LINE		M	SNA	
1-5-3	DA61-03903A	FIXER VALVE WATER-B		PC	SA	1
1-7	6001-001377	SCREW-MACHINE		PC	SNA	2
1-8	6002-001122	SCREW-TAPPING		PC	SNA	6
1-9	6002-001406	SCREW-TAPPING		PC	SNA	2
2	DA97-16306A	ASSY GASKET-FRE	RS6500KC,energy	PC	SA	1
3	DA97-14704R	ASSY COVER DISPENSER	RS6500KC,Water Filter, HOT STAMPING	PC	SA	1
3-1	DA97-12628P	ASSY LEVER DISPENSER	RS6500KC,1-LEVER	PC	SA	1
3-1-1	3405-001119	SWITCH-MICRO	250VAC,1A,80,SPST-NO,T105	PC	SA	1
3-1-2	DA61-06033B	SPRING ETC-LEVER DISP ICE	OPUS1,STS304	PC	SA	1
3-1-3	DA61-07362A	PLATE-LEVER DISPENSER		PC	SA	1
3-1-4	DA96-00106G	ASSY WIRE HARNESS-DISPENSER	ALL,12VDC,ALL,UL,All,Dispenser,Panel,7P	PC	SA	1
3-2	DA41-00217A	ASSY PCB KIT	LED DISPENSER LAMP,AD,17*31*,WHITE LED 1EA	PC	SA	2
3-3	DA61-05687A	CASE LAMP-LED	SSEDA,GPPS,-,-,TP BLUE,-,-,147F,-,-,HIT / VALUE	PC	SA	2
3-4	DA63-02446A	COVER-LAMP-LED	EPEL,ABS,COOL WHITE,HG-0760GP	PC	SA	2
3-5	DA63-06377B	COVER PCB-REAR	OPUS1-14,HIPS,HB,NATURAL,S834S1	PC	SA	1
3-6	DA92-00769A	ASSY MODULE	WIFI, FILTER	PC	SA	1
3-7	6002-000630	SCREW-TAPPING		PC	SNA	4
3-8	DA97-14705M	ASSY COVER DISPENSER-SUB	RS6500KC,HOT STAMPING	PC	SNA	1
4	DA63-08382A	GUARD-FRE UP	RS6500KC,GPPS,TP BLUE	PC	SA	2
5	DA63-08381A	GUARD-FRE LOW	GPPS,TP BLUE	PC	SA	1
6	DA97-06473J	ASSY CASE ICE-ROUTE	FSR CD,220V	PC	SA	1
6-1	DA31-00079A	MOTOR GEARED AC DISP	20mA,CW/8 pole	PC	SA	1
6-2	3405-001117	SWITCH-MICRO	125/250VAC,1A,80gf,SPST-NO LEVER,T105,BK	PC	SA	2
6-3	DA61-04373A	CASE ICE ROUTE	GUGGENHEIM,ABS,NATURAL,HG-0760GP	PC	SA	1
6-4	DA66-00309A	CAM-GEAR MOTOR	QUEEN,POM,NATURAL,K300	PC	SA	1
6-5	DA97-00883E	ASSY COVER-ICE ROUTE	QUEEN-PJT,-,-,-,-,-,-,-,-	PC	SA	1
6-6	6002-001406	SCREW-TAPPING		PC	SNA	2
7	DA60-00258B	FITTING-TUBE	TUBE FITTING A,PP,1/4,1/4'- 1/4'	PC	SA	2
8	DA97-16295A	ASSY CASE AUGER MOTOR	RS6500,220~240V	PC	SNA	1
8-1	DA34-00043A	SWITCH REED	UL1007 AWG 22,100mm,DEM1- B5034,13mm,25mm,100mm	PC	SA	1
8-2	DA90-09811C	ASSY ICE MAKER	RS6500KC,220V,IN DOOR I/M,PLUMBING	PC	SNA	1
			8			

EXPLODED VIEW PART LIST

NO	CODE NO	PART NAME	Specification	Unit	SA/SNA	Qty
8-3	DA34-00043A	SWITCH REED	UL1007 AWG 22,100mm,DEM1-B5034,13mm,25mm,100mm	PC	SA	1
8-4	DA31-00210E	MOTOR GEARED AC AUGER	ISG-3245SSB/ORG-4501P3,220~240V	PC	SA	1
8-5	DA97-11248A	ASSY-CAM LEVER CUBE	INDOOR	PC	SNA	1
8-5-1	DA66-00589A	CAM-LEVER CUBE	POM,NATURAL,K300	PC	SNA	1
8-5-2	DA33-10011A	MAGNET	SSM-390,T2,W5,L7,-,	PC	SNA	1
8-6	6002-000471	SCREW-TAPPING	TH,+,-,1,M4,L12,PASS,STS304,-	PC	SNA	5
8-7	DA63-04362B	COVER MOTOR-AUGER SUB	HIPS,HB,NATURAL,S834S1	PC	SA	1
8-8	DA63-05515A	COVER-MOTOR AUGER COIL	GGH,ABS,NTR	PC	SA	1
8-9	DA63-01412B	COVER-MOTOR GEARED	GUGGENHEIM,HIPS,NTR	PC	SNA	1
8-10	DA63-04356B	COVER MOTOR-FRONT	GUGGENHEIM,HIPS,NATURAL,S834S1	PC	SNA	1
8-11	DA31-00079A	MOTOR GEARED AC DISP	20mA,CW/8 pole	PC	SA	1
8-12	DA61-04363B	CASE-AUGER MOTOR	ABS,COOL WHITE,HG-0760GP	PC	SC	1
8-13	DA96-00036P	ASSY WIRE HARNESS-AUGER	SBS,FREE VOLT,UL+IEC,UL,UL,ALL,AUGER,AC,INDOOR,9,6,YES,YES,YES	PC	SA	1
8-14	DA97-13415A	ASSY ICE MAKER	GGH-PJT,220~240V	PC	SA	1
8-15	DA34-00043C	SWITCH REED	13mm,UL1007 AWG 22,100,HOOK TYPE,HLP-02V,100	PC	SA	1
8-16	DA97-00151B	SWITCH REED		PC	SA	1
9	DA97-16418A	ASSY CASE ICE	RS6500KC	PC	SA	1
9-1	DA66-00587A	LEVER-BUCKET L		PC	SC	1
9-2	DA66-00588A	LEVER-BUCKET R		PC	SA	1
9-3	DA61-04378A	SPRING ETC-BUCKET LEVER		PC	SA	4
9-4	DA61-02738A	MAGNET-ASSY	CORE-PJT,FERRITE	PC	SA	1
9-5	DA63-04354C	COVER-CRUSHER BUCKET	GUGGENHEIM,HIPS,HB,NATURAL	PC	SA	1
9-6	DA64-02587A	WINDOW-BUCKET	GUGGENHEIM,PETG,T90G,NATURAL	PC	SA	1
9-7	DA65-00051A	CLAMPER CORE-HELIX		PC	SA	1
9-5	6002-000473	SCREW-TAPPING	TH,+,-,NO,1,M4,L14,PASS,STS304	PC	SNA	4
9-6	6001-000569	SCREW-MACHINE	PH,+,-,M3,L8,PASS,STS304,FP,-	PC	SNA	4
9-7	6002-000471	SCREW-TAPPING	TH,+,-,1,M4,L12,PASS,STS304,-	PC	SNA	5
10	DA97-06568C	ASSY COVER-ICE MAKER	DOOR ICE MAKER	PC	SA	1
11	DA63-05013B	GUARD FRE-UPP	HM10,HIPS,2-STAR	PC	SA	1

EXPLODED VIEW PART LIST

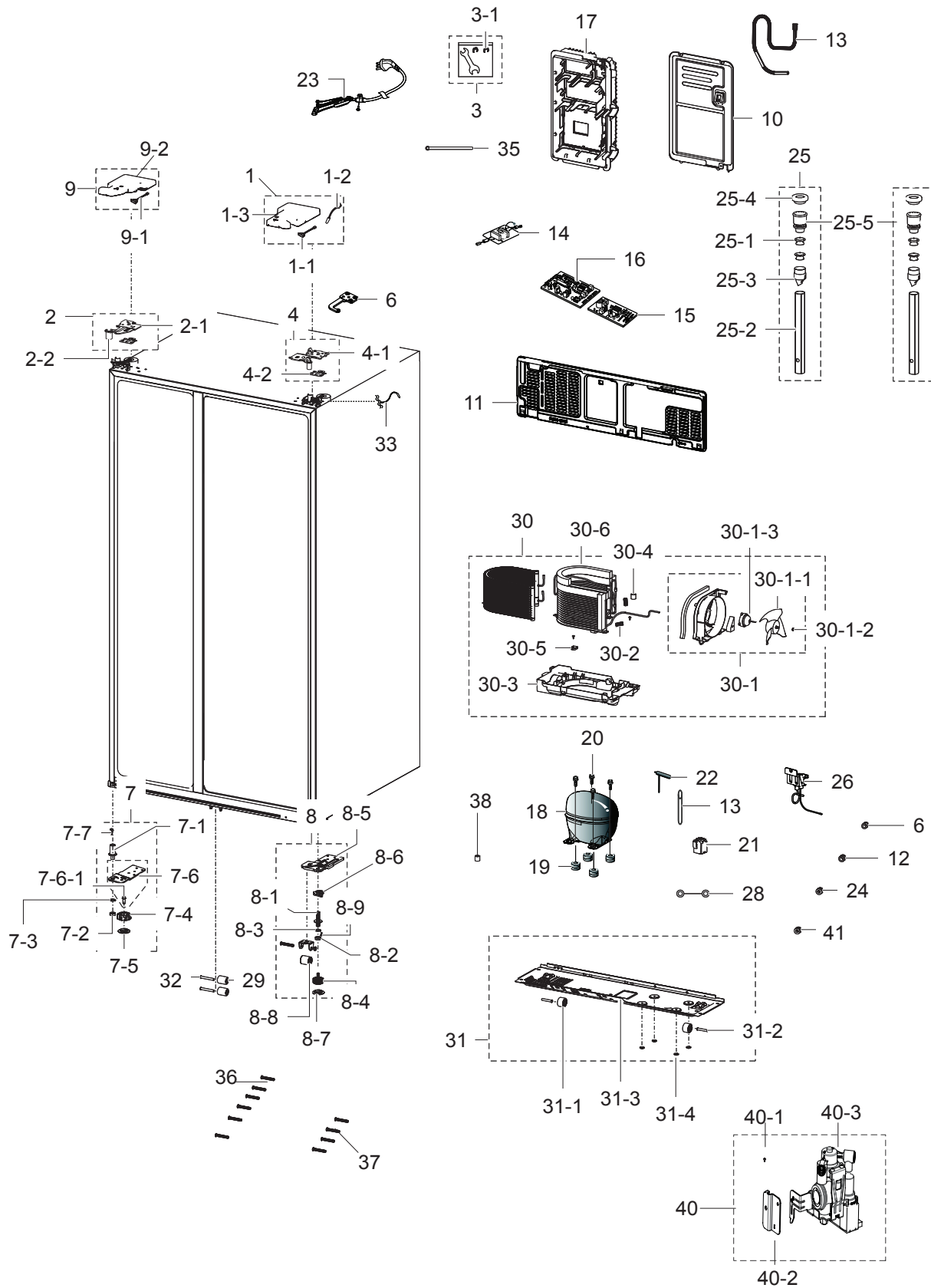
1-4 Fridge door



EXPLODED VIEW PART LIST

NO	CODE NO	PART NAME	Specification	Unit	SA/SNA	Qty
1	DA61-03734A	FIXER-HANDLE	AW-PJT,SWRCH18A,M8,-,GE	PC	SA	2
2	DA63-06420A	TRAY EGG	NW2-PJT,SSEC,GPPS,-,TP BLUE	PC	SA	1
3	DA63-08378A	GUARD-REF LOW	GPPS,TP BLUE	PC	SA	1
4	DA91-04533B	ASSY DOOR FOAM-REF IN	RH58,7A,SN,DISPENSER	PC	SA	1
4-1	DA97-11151D	ASSY FIXER-MOVABLE	HAEMIL,CREAMY STS,MATERIAL CHANGE(FIXER)	PC	SNA	1
4-2	DA66-01035A	CAM-RISER REF MID UPP	FOOD SHOWCASE,PA66,BLACK,KN333G15,ANNEALING	PC	SA	1
4-3	DA61-10973A	HINGE-REF LOW	RS6500KC,PO-SPHC,T4.5	PC	SA	1
4-4	DA61-09264A	STOPPER DOOR-REF LOW	FOOD SHOWCASE,PO-SPHC,T4.0,BLACK,T4	PC	SA	1
4-5	6001-001377	SCREW-MACHINE	TH,+,M5,L25,ZPC(WHT),SWRCH10A,FP	PC	SNA	2
4-6	6002-000213	SCREW-TAPPING	TH,+,1,M4,L12,ZPC(WHT),SWRCH18A	PC	SNA	4
4-7	DA63-04182A	GROMMET HINGE-UPP	GUGGENHEIM,PA66,NATURAL,KN3311	PC	SA	1
5	DA97-16304A	ASSY GASKET-REF	RS6500KC,energy	PC	SA	1
6	DA97-16649B	ASSY HANDLE-REAR	RS6500,AL,NATURAL SILVER,DISPENSER	PC	SA	1
6-1	DA61-09133A	BRACKET	FOOD SHOW CASE,AI	PC	SNA	1
6-2	DA61-09327A	BRACKET HANDLE	FOOD SHOW CASE,POM,NATURAL	PC	SA	1
6-3	DA64-04996B	HANDLE-REF	DOOR	PC	SNA	1
6-4	DA67-04213A	CAP HANDLE-REF UP	RS6500KC,ABS,MP-0160R,NATURAL,CR-PLATING IN DOOR	PC	SNA	1
6-5	DA67-04218A	CAP HANDLE-REF LOW	RS6500KC,ABS,HB,MP-0160R,NATURAL,CR-PLATING IN DOOR See through	PC	SNA	1
6-6	DA61-09327A	BRACKET HANDLE	FOOD SHOW CASE,POM,NATURAL	PC	SA	1
6-7	DA61-09133A	BRACKET	FOOD SHOW CASE,AI	PC	SNA	1
7	DA97-14090A	ASSY COVER LATCH	FOOD SHOW CASE,GRAY	PC	SA	1
7-1	6002-001547	SCREW-TAPPING		PC	SNA	1
8	DA64-04574A	LOCKER	FOOD SHOWCASE,POM,CREAMY STAINLESS,100P	PC	SA	1
9	DA67-03677C	CAP HANDLE-SIDE	FSR,ABS,LX-0970L,GLOW METAL	PC	SA	5
10	DA67-04219A	CAP HANDLE-REF	RS6500KC,ABS,MP-0160R,NATURAL,CR-PLATING OUT DOOR	PC	SNA	1
11	DA91-04541B	ASSY DOOR FOAM-REF OUT		PC	SA	1
11-1	DA61-03949A	MAGNET	ES-PJT,SSEC,FERRITE,1600Gauss	PC	SA	1
11-2	DA64-04021A	MASCOT		PC	SA	1
11-3	DA61-09426A	STOPPER DOOR-REF	SPEDC	PC	SA	1
11-4	DA63-07566A	GROMMET HINGE-REF LOW	FOOD SHOWCASE,PA66,NATURAL	PC	SA	1
11-5	DA66-01044A	CAM AUTO CLOSE-RIGHT	FOOD SHOWCASE,POM,CREAMY STAINLESS,100P	PC	SA	1
11-6	6002-001547	SCREW-TAPPING		PC	SNA	1
11-7	6002-001547	SCREW-TAPPING		PC	SNA	1
11-8	6009-001475	SCREW-SPECIAL		PC	SNA	2
12	DA97-16652B	ASSY HANDLE-REF UP	RS6500,AL,NATURAL SILVER,DISPENSER	PC	SA	1
12-1	DA63-07634B	GROMMET HANDLE	FOOD SHOW CASE,SI,LIGHT GRAY	PC	SA	1
12-2	DA64-04997B	HANDLE-REF UP	DOOR	PC	SNA	1
12-3	DA67-04216A	CAP HANDLE-REF UP	RS6500KC,ABS,MP-0160R,NATURAL,CR-PLATING OUT DOOR	PC	SNA	1
12-4	DA67-04219A	CAP HANDLE-REF	RS6500KC,ABS,MP-0160R,NATURAL,CR-PLATING OUT DOOR	PC	SNA	1

EXPLODED VIEW PART LIST



EXPLODED VIEW PART LIST

NO	CODE NO	PART NAME	Specification	Unit	SA/SNA	Qty
1	DA97-16655A	ASSY COVER HINGE-UP RIGHT	RS6500,ABS,INOX GRAY,FSR,DONGLE	PC	SA	1
1-1	DA34-00043A	SWITCH REED	UL1007 AWG 22,100mm,DEM1-B5034,13mm,25mm,100mm	PC	SA	1
1-2	DA32-00034B	SENSOR HUMIDITY	DA32-00034B,SHT20P,5V,0 to 100%,REF	PC	SA	1
1-3	DA63-08398A	COVER HINGE-UP RIGHT	RS6500KC,ABS,INOX GRAY,HG-0760GP	PC	SNA	1
1-4	DB92-03769A	ASSY MODULE	ASSY GENDER,ASSY GENDER, CEM-1	PC	SA	1
1-5	DA63-08294A	COVER HINGE-B		PC	SA	1
2	DA97-14040A	ASSY HINGE-UP LEFT	LATOUR,POLARIS	PC	SA	1
2-1	DA61-09273A	HINGE-UP LEFT		PC	SNA	1
2-2	DA63-50192A	SHIM-HINGE UPP		PC	SNA	1
3	DA99-04198A	ASSY INSTALL	FSR CD,USA	PC	SA	1
3-1	DA61-04522A	CLIP-FITTING LOCK	AW,POM	PC	SNA	2
4	DA97-15599A	ASSY HINGE-UP RIGHT	RH6900JC,PO	PC	SA	1
4-1	DA61-10504A	HINGE-UP RIGHT		PC	SNA	1
4-2	DA63-50192A	SHIM-HINGE UPP		PC	SNA	1
5	DA62-01018A	SEAL CUTT-RUBBER	RR2500K,RUBBER,BLACK,T5,W50,L65,BUTYL RUBBER	PC	SA	2
6	DA60-00280A	FITTING-LOKRING 33	SUM23,33	PC	SA	1
7	DA97-14046E	ASSY HINGE-LOW LEFT	RS6500K,DISPENSER	PC	SA	1
7-1	DA63-08223A	COVER GUIDE HOSE		PC	SNA	1
7-2	DA60-00354A	FITTING-HINGE FRE LOW	POM	PC	SA	1
7-3	6003-001435	SCREW-TAPTYPE		PC	SNA	1
7-4	DA61-07972B	FOOT-FRONT	POLARIS,PP,BLACK,INSERT NUT, PP_S,0103-001846,N	PC	SA	1
7-5	DA61-07973B	FOOT	POLARIS,PP,BLACK,PP_S	PC	SA	1
7-6	DA61-09275B	HINGE-LOW LEFT		PC	SNA	1
7-6-1	DA66-00793A	SHAFT-LEG FRONT	POLARIS,SWRCH10A,BLACK,ELECTRODEPOSITION	PC	SNA	1
7-7	DA66-01127A	CAM RISER-FRE LOW	FSR CD,PA66,BLACK,KN333G15,ANNEALING	PC	SNA	1
8	DA97-14047A	ASSY HINGE-LOW RIGHT	LATOUR,PO, FSR	PC	SA	1
8-1	DA66-00911C	SHAFT HINGE	POLARIS,SWRCH10A,WHITE,FORGING PROCESSING	PC	SA	1
8-2	6021-000171	NUT-HEXAGON	3C,M12,SN PLT,STS304	PC	SA	1
8-3	6031-001297	WASHER-SPRING		PC	SNA	1
8-4	DA61-09458A	FOOT-FRONT	PP,I BLACK	PC	SA	1
8-5	DA61-09276A	HINGE-LOW RIGHT		PC	SNA	1
8-6	DA66-00891A	CAM-HINGE RISER REF LOW	MONTES ALPHA,PA66,BLACK,KN333G15,ANNEALING	PC	SA	1
8-7	DA61-09459A	FOOT	PP,I BLACK	PC	SA	1
8-9	6002-000217	SCREW-TAPPING		PC	SNA	2
9	DA97-14031C	ASSY COVER HINGE-FRE	RS6500KC,ABS,INOX GRAY,DISP	PC	SNA	1
9-1	DA34-00043A	SWITCH REED	UL1007 AWG 22,100mm,DEM1-B5034,13mm,25mm,100mm	PC	SA	1
9-2	DA63-07531A	COVER HINGE-LEFT	LATOUR,ABS,INOX GRAY,HG-0760GP,POLARIS	PC	SA	1
10	DA97-13181B	ASSY COVER-PBA MAIN		PC	SA	1
11	DA97-12749B	ASSY COVER COMP		PC	SA	1

EXPLODED VIEW PART LIST

NO	CODE NO	PART NAME	Specification	Unit	SA/SNA	Qty
12	DA60-00279A	FITTING-LOKRING 16	SUM23,16	PC	SA	1
13	DA62-03897A	PIPE-CONNECT SUCTION FRE		PC	SA	1
14	DA27-00041B	COIL FILTER	1000pF,SSLF-203AF1,BOX,SSLF-203AF1,	PC	SA	1
15	DA92-00763A	ASSY PCB INVERTER		PC	SA	1
16	DA92-00486A	ASSY MODULE		PC	SA	1
17	DA92-00991D	ASSY PCB MAIN	ASSY PCB MAIN,RS6500KC,178*197,DISPENSER,FSR ,ENERGY-1,PLUMBING	PC	SA	1
18	NF34J9131AMSJ3	CMP,REFRIGERATOR,R-600A	0	PC	-	1
19	DA63-02617A	GROMMET COMP		PC	SA	4
20	DA60-20008A	BOLT-HEX	FLANGE,SWRCH10A	PC	SC	4
21	DA63-06122A	COVER RELAY		PC	SNA	1
22	DA62-04309A	DRYER		PC	SA	1
23	3903-001015	CBF-POWER CORD		PC	SA	1
24	DA60-00281A	FITTING-LOKRING 43	SUM23,St 56	PC	SNA	1
25	DA97-16715A	ASSY CAP DRAIN	RS6500KC,Door Opening Force	PC	SA	2
25-1	DA67-04261A	CAP HOLE-FRE		PC	SNA	1
25-2	DA62-03201E	TUBE-PVC	RS6500KC,PVC,L155,ID18	PC	SNA	1
25-3	DA63-06552A	GROMMET-DRAIN,HOSE		PC	SNA	1
25-4	DA63-08480A	GROMMET-LOW		PC	SNA	1
25-5	DA61-07436A	CAP-DRAIN	NW2,SSEC,ABS,NTR	PC	SNA	1
26	DA62-04678B	VALVE STEP		PC	SA	1
27	DA60-00279A	FITTING-LOKRING 16	SUM23,16	PC	SA	1
28	DA39-20389L	ASSY WIRE HARNESS-EARTH	ALL,FREE VOLT,UL+IEC,UL,ALL,EARTH,150mm,1, ST710489-3*2	PC	SA	1
29	DA61-07592B	CASTER-FRONT	RS6500K,PP,BLACK	PC	SNA	2
30	DA97-16691A	ASSY TRAY DRAIN WATER	RS6500KC,PFC	PC	SA	1
30-1	DA97-15765A	ASSY SUPPORT-CIRCUIT MOTOR	C 160I	PC	SA	1
30-1-1	DA31-00320A	FAN	HM12,ABS+GLASSFIBER,GR-4010/NTR	PC	SA	1
30-1-2	DA61-20128A	SPRING ETC-FAN		PC	SA	1
30-1-3	DA31-00278C	MOTOR BLDC FAN		PC	SA	1
30-3	DA63-08451A	TRAY DRAIN-WATER	RH9000K,PP,RECYCLE	PC	SA	1
30-4	DA63-40171B	GROMMET-SUCTION PIPE	NBR,-,ID4,OD20	PC	SNA	1
30-5	DA63-04424A	GROMMET-SUB COND	GUGGENHEIM,NBR,-,-,-,-,BLK,-	PC	SA	1
30-6	DA73-00050G	PIPE-CONN		PC	SA	1
30-7	DA97-12557E	ASSY CONDENSER-SUB	RS6500KC	PC	SA	1
31	DA97-12557E	ASSY CHASSIS COMP	RS6500KC	PC	SA	1
31-1	DA61-07434A	CASTER-REAR	NW2,SSEC,PP,35,NTR,35	PC	SNA	2
31-2	DA66-00863A	SHAFT-CASTER		PC	SNA	2
32	DA61-01920A	FIXER-CASTER		PC	SA	2
34	DA97-16337B	ASSY CASE PBA-MAIN	RS6500K	PC	SA	1
35	DA63-40237G	GROMMET-DISCHARGE		PC	SA	1
36	DA60-10123C	BOLT-HEX		PC	SA	6
37	DA60-10124A	BOLT-HEX	15	PC	SA	4

EXPLODED VIEW PART LIST

NO	CODE NO	PART NAME	Specification	Unit	SA/SNA	Qty
36	DA60-10123C	BOLT-HEX		PC	SA	6
37	DA60-10124A	BOLT-HEX		PC	SA	4
38	DA72-00218A	SEAL BUTYL RUBBER	RUBBER,BLACK,T3,W50,L80,-	PC	SA	1
39	DA61-10385A	HINGE-UP	COATING	PC	SA	1
40	DA97-07827J	ASSY VALVE WATER	HM10,NO FLOW SENSOR, 220-240V	PC	SA	1
40-1	DA62-02291E	VALVE WATER	AC220-240V,120,2WAY,L-Wire,1,2,NO	PC	SNA	1
40-2	DA61-04522A	CLIP-FITTING LOCK	AW,POM	PC	SNA	2
40-3	DA62-02414A	TUBE-FITTING L	POM,DARK HOLDER GRAY,1/4inch,1/4-1/4	PC	SNA	1
40-4	DA62-03447M	PIPE WATER-LINE		M	SNA	
41	DA63-08499A	COVER GUIDE HOSE		PC	SNA	1
42	DA60-00314A	FASTENER-HINGE	ROMANEE CONTI,POM,BLACK	PC	SA	
43	DA60-00314B	FASTENER-HINGE		PC	SA	
44	DA60-00314C	FASTENER-HINGE		PC	SC	
45	DA60-00314D	FASTENER-HINGE		PC	SA	