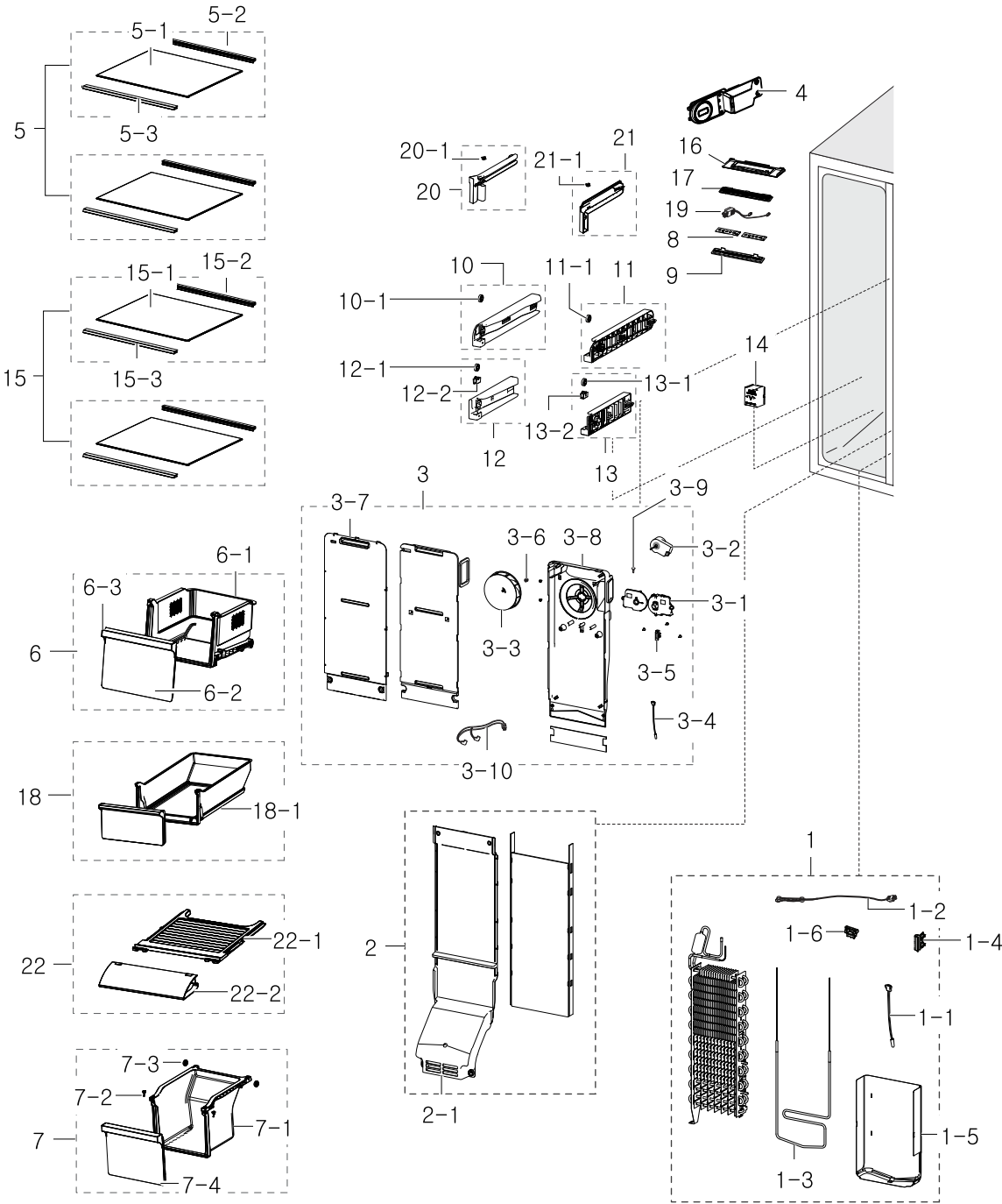


1. Freezer

Exploded View



Parts List

No.	Lvl.	Loc.	Material Code	Description & Specification	SNA	Qty.
1	2	RF011	DA96-01029A	ASSY EVAP-FRE; LATOUR,230V,300W	SA	1
1-1	3	RY453	DA32-00029P	SENSOR TEMP; DTN-C502G6X,NEXT-PJT,40~110	SA	1
1-2	3	RY464	DA47-00301H	THERMO FUSE-ASSY; POLARIS,250V,10A,109~11	SA	1
1-3	3		DA47-00463A	HEATER-METAL SHEATH; 230V, 300W, 176.3ohm	SA	1
1-4	3	RK215	DA61-00603A	FIXER-SENSOR; n-PJT,PP,-,-,-	SA	1
1-5	3	RT112	DA61-04026A	PLATE-DRAIN; ES-PJT,SSEC,GALVA,-,-,-,-	SA	1
1-6	3	RF217	DA61-05160A	FIXER-FUSE; CULLI_09,PP,NATURAL,HB,BJ750	SA	1
2	2	RF005	DA97-13743A	ASSY COVER EVAP-FRE; LATOUR,ASSY	SA	1
2-1	3	RR237	DA63-07495A	COVER-EVAP FRE; LATOUR,PP,COOL WHITE,BJ75	SNA	1
3	2	RF439	DA97-13745C	ASSY COVER MULTI-FRE; FSR FS/CD,INDOOR IC	SA	1
3-1	3	RF455	DA63-06779A	COVER MOTOR-BLDC; HAEMIL11,PP,NTR	SA	1
3-2	3		DA31-00020R	MOTOR BLDC; DREP3030LD,1325,12V,330mA,3.9	SA	1
3-3	3	RG062	DA31-00332A	FAN; LATOUR,ABS	SA	1
3-4	3	RI270	DA32-00006R	SENSOR TEMP-PANTRY; PX-41C, 502AT,AW-PJT,	SA	1
3-5	3	RY447	DA61-06851A	FIXER-COVER DAMPER; POLARIS,POM,NTR	SA	1
3-6	4	RR053	DA61-20128A	SPRING ETC-FAN; STS304,PI8.8,ID7.8,OD9.8,	SA	1
3-7	3		DA63-07493C	COVER MULTI-FRE FRONT; FSR CD/FS,PP,HB,T2	SNA	1
3-8	3		DA63-07857A	COVER MULTI-FRE REAR; FSR FS,PP,HB,BJ750,	SNA	1
3-9	3	RR066	DA63-40167A	GROMMET-COVER CHIL; SILICON,L16,WHITE	SA	1
3-10	3		DA96-00042V	ASSY W/HARNES-MOTOR; HAEMIL,110~240V	SA	1
4	2	RF222	DA97-14619B	ASSY CASE AUGER MOTOR; GGH14,230V	SA	1
5	2	RF024	DA97-14799A	ASSY SHELF-FRE UP; FSR CD	SA	2
5-1	3	RF259	DA01-01001B	GLASS-SHELF FRE UP; T3.2,GLASS	SNA	2
5-2	3		DA64-04395F	TRIM SHELF-FRE REAR; LATOUR,ABS,COOL WHIT	SNA	2
5-3	3	RF208	DA64-04407F	TRIM SHELF-FRE FRONT; LATOUR,ABS,ABS+SOFT	SNA	2
6	2		DA97-14709A	ASSY CASE BASKET-UP; FSR CD	SA	1
6-1	3		DA61-09840A	CASE BASKET-UP; FSR CD,PP,COOL WHITE,HB,B	SNA	1
6-2	3		DA63-07486A	COVER BASKET-FRONT; LATOUR,GPPS,NATURAL	SNA	1

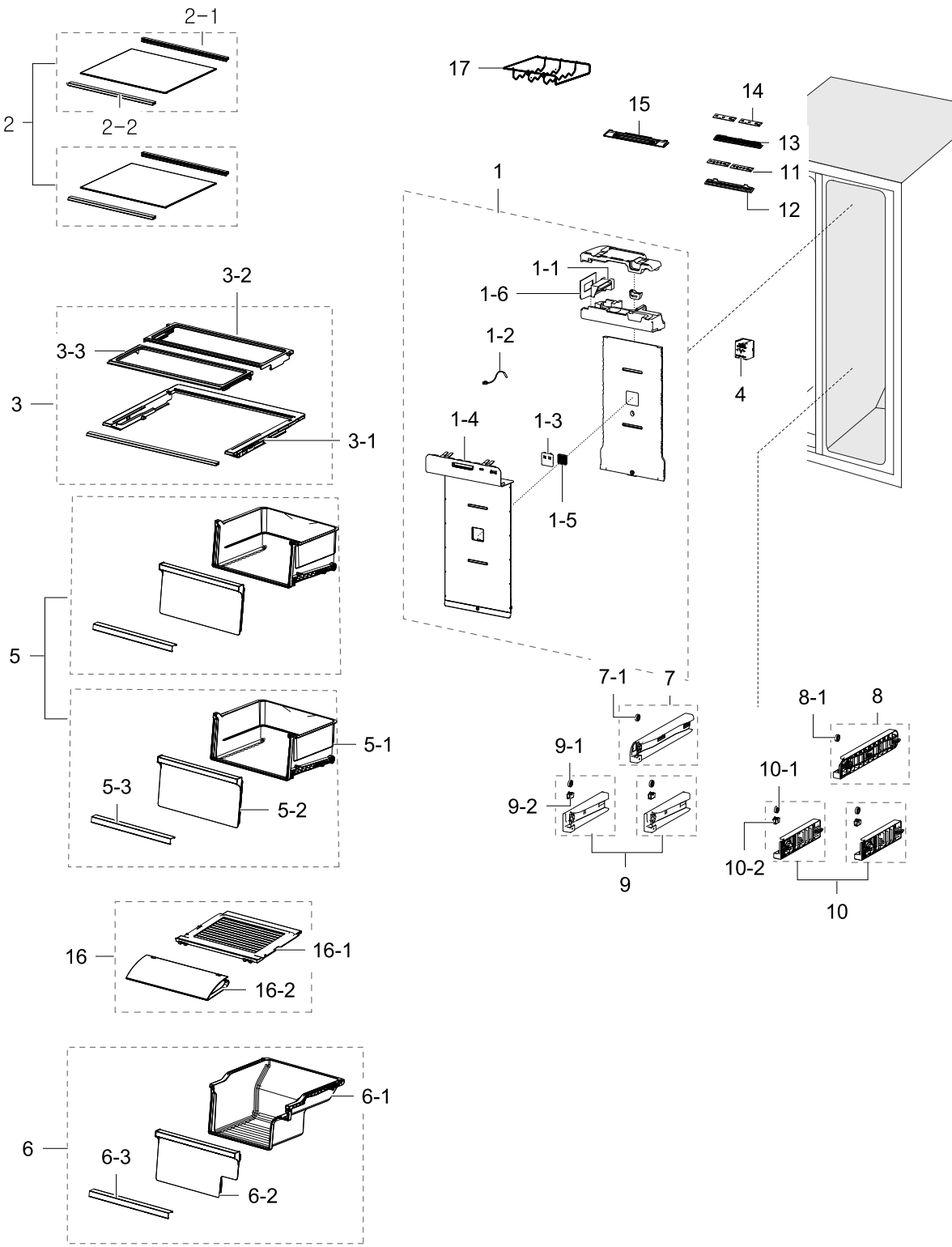
No.	Lvl.	Loc.	Material Code	Description & Specification	SNA	Qty.
6-3	3		DA64-04565C	TRIM BASKET-FRE; LATOURL,HIPS,HI425EH,COOL	SNA	1
7	2		DA97-14710B	ASSY CASE BASKET-LOW; FSR CD	SA	1
7-1	3		DA61-09847A	CASE BASKET-LOW; FSR CD,HIPS,COOL WHITE,H	SNA	1
7-2	3	RY448	DA63-06107A	GROMMET-DRAWER FLIP; POLARIS,SILICON,tran	SA	2
7-3	3	RR069	DA66-10104A	ROLLER-FRE; POM,-,-,D22,-,-,	SC	2
7-4	3		DA63-07486A	COVER BASKET-FRONT; LATOURL,GPPS,NATURAL	SNA	1
8	3	RK387	DA41-00519B	PBA-LED LAMP; GUGGENHEIM-PJT,CEM-1,100*20	SA	2
9	2	RU022	DA63-05431A	COVER-LED SIDE; AW3,SAN,NTR	SA	2
10	3		DA97-14747A	ASSY RAIL-LOW LEFT; FSR	SNA	1
10-1	4	RR069	DA66-10104A	ROLLER-FRE; POM,-,-,D22,-,-,	SC	1
11	3		DA97-14745A	ASSY RAIL-LOW RIGHT; FSR	SNA	1
11-1	4	RR069	DA66-10104A	ROLLER-FRE; POM,-,-,D22,-,-,	SC	1
12	3		DA97-14144A	ASSY RAIL-LOW LEFT; LATOURL,PP,WITH ROLLER	SNA	2
12-1	3	RR069	DA66-10104A	ROLLER-FRE; POM,-,-,D22,-,-,	SC	2
12-2	4	RR250	DA71-20277A	FIXER-ROLLER; SR-62,NY-66,T2.0,-,-	SA	2
13	3		DA97-14143A	ASSY RAIL-LOW RIGHT; LATOURL,PP,WITH ROLLE	SNA	2
13-1	4	RR069	DA66-10104A	ROLLER-FRE; POM,-,-,D22,-,-,	SC	1
13-2	4	RR250	DA71-20277A	FIXER-ROLLER; SR-62,NY-66,T2.0,-,-	SA	2
14	2	RI222	DA63-02902A	COVER-FIXER HOUSING,V; NEXT,GALVALUM,T0.4	SA	2
15	2	RF087	DA97-14800A	ASSY SHELF-FRE LOW; FSR CD	SA	2
15-1	3	RF359	DA01-01001C	GLASS-SHELF FRE LOW; T3.2,GLASS	SNA	2
15-2	3		DA64-04395F	TRIM SHELF-FRE REAR; LATOURL,ABS,COOL WHIT	SNA	2
15-3	3	RF208	DA64-04407F	TRIM SHELF-FRE FRONT; LATOURL,ABS,ABS+SOFT	SNA	2
16	2		DA67-03879A	CAP AIR-OUT; FSR-CD,ABS,HB,HG-0760GP,COOL	SA	1
17	2	RY725	DA63-03623D	COVER-LAMP; TWIN,PC,T2.0,W35,L152,TRANSPA	SA	2
18	2		DA97-14790A	ASSY CASE BASKET-FRE UP; FSR CD	SA	1
18-1	3		DA61-09856A	CASE BASKET-FRE UP; FSR CD,GPPS,TP BLUE,H	SA	1
19	3		DA96-00424X	ASSY WIRE HARNESS-LED LAMP; ALL,12VDC,UL,	SA	1
20	2		DA97-14857A	ASSY RAIL-FRE UP LEFT; FSR CD,SANCK BIN R	SA	1

Exploded Views and Parts List

No.	Lvl.	Loc.	Material Code	Description & Specification	SNA	Qty.
20-1	3	RK245	DA63-02079A	GROMMET-RAIL; A-TOP,NY-6,WIRE-BOX,A,B-TYP	SA	1
21	2		DA97-14858A	ASSY RAIL-FRE UP RIGHT; FSR CD,SANCK BIN	SA	1
21-1	3	RK245	DA63-02079A	GROMMET-RAIL; A-TOP,NY-6,WIRE-BOX,A,B-TYP	SA	1
22	2		DA97-14715A	ASSY COVER DRAWER-FRE FLIP; FSR CD	SA	1
22-1	3		DA61-09854A	FIXER COVER-FRE; FSR CD,PP,NATURAL,HB,BJ7	SNA	1
22-2	3		DA63-07861A	COVER DRAWER-FRE FLIP; FSR CD,SAN,HB,-,HF	SNA	1

2. Fridge

Exploded View



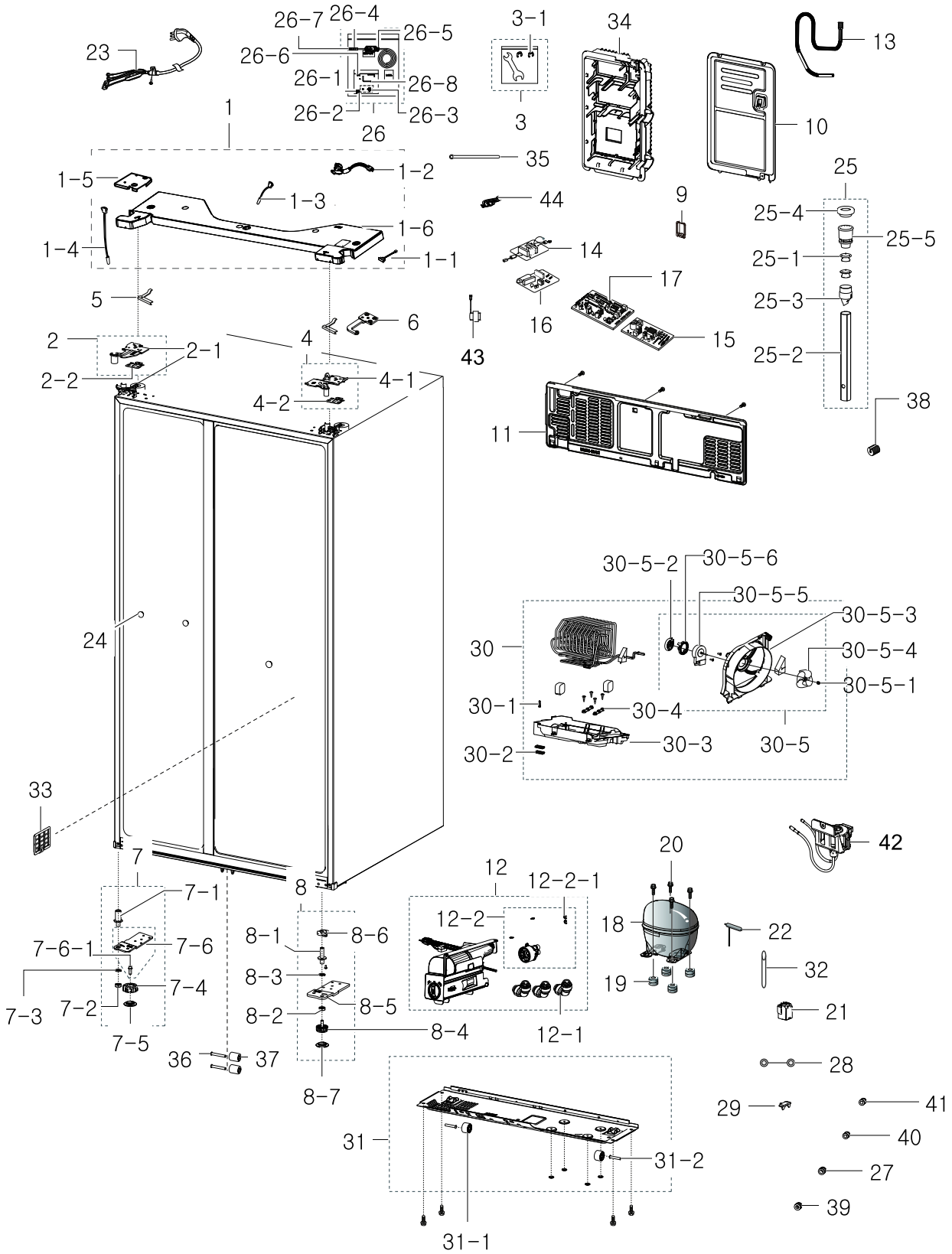
Parts List

No.	Lvl.	Loc.	Material Code	Description & Specification	SNA	Qty.
1	2	RI483	DA97-13749D	ASSY COVER DAMPER-REF; FSR CD/FS,NO PLATE	SA	1
1-1	3	RY026	DA31-00043E	MOTOR DC-MOTOR-DAMPER; -, -, DC 12V,Max 6	SA	1
1-2	3	RR337	DA32-10105V	SENSOR TEMP; 502AT,N PJT,-50~50,5V,-, -,RO	SA	1
1-3	3		DA63-07224A	COVER-DEODORIZER; BAROSA,PP,T2.0,COOL WHI	SA	1
1-4	3	RI566	DA63-07525C	COVER DAMPER-REF; FSR CD/FS,PP,HB,BJ750,C	SNA	1
1-5	3	RG022	DA02-90106R	CATALYST-LTC; ALL,T5,W40,L40	SA	1
1-6	3		DA62-04268A	SEAL DAMPER-REF; LATOUR,OJC-3000,WHITE,SI	SA	1
2	2	RI037	DA97-14801A	ASSY SHELF-REF; FSR CD	SA	2
2-1	3		DA64-04395K	TRIM SHELF-REAR; FSR CD,ABS,HG-0760GP,COO	SNA	2
2-2	3		DA64-04407H	TRIM SHELF-FRONT; FSR-CD,ABS,HG-0760GP,CO	SNA	2
3	2	RI492	DA97-14797A	ASSY SHELF FOLDER; FSR-CD	SA	1
3-1	3		DA67-03874A	SHELF FOLDER-B; FSR-CD,HIPS,COOL WHITE	SA	1
3-2	3		DA67-03875A	SHELF FOLDER-A; FSR-CD,PP,COOL WHITE	SA	1
3-3	3		DA67-03876A	SHELF FOLDER-FRONT; FSR-CD,PP,COOL WHITE	SA	1
4	2	RI222	DA63-02902A	COVER-FIXER HOUSING,V; NEXT,GALVALUM,T0.4	SA	2
5	2	RI002	DA97-14711A	ASSY CASE VEG-UP; FSR CD	SA	2
5-1	3		DA61-09851A	CASE VEG-UP; FSR CD,PP,COOL WHITE,HB,BJ75	SNA	2
5-2	3	RI572	DA63-07487D	COVER VEG-FRONT; LATOUR,GPPS,NATURAL,G144	SNA	2
5-3	3		DA64-04565D	TRIM BASKET-REF; LATOUR,HIPS,HI425EH,COOL	SNA	1
6	2	RI001	DA97-14713A	ASSY CASE VEG-LOW; FSR CD	SA	1
6-1	3		DA61-09849A	CASE VEG-LOW; FSR CD,HIPS,COOL WHITE,HB,S	SNA	1
6-2	3		DA63-07862A	COVER VEG-FORNT; FSR CD,GPPS,HB,G1441S1	SNA	1
6-3	3		DA64-04565D	TRIM BASKET-REF; LATOUR,HIPS,HI425EH,COOL	SNA	1
7	3		DA97-14747A	ASSY RAIL-LOW LEFT; FSR	SNA	1
7-1	4	RR069	DA66-10104A	ROLLER-FRE; POM,-, -,D22,-, -,	SC	1
8	3		DA97-14745A	ASSY RAIL-LOW RIGHT; FSR	SNA	1
8-1	4	RR069	DA66-10104A	ROLLER-FRE; POM,-, -,D22,-, -,	SC	1

No.	Lvl.	Loc.	Material Code	Description & Specification	SNA	Qty.
9	3		DA97-14144A	ASSY RAIL-LOW LEFT; LATOUR,PP,WITH ROLLER	SNA	2
9-1	4	RR069	DA66-10104A	ROLLER-FRE; POM,-,-,D22,-,-,	SC	1
9-2	4	RR250	DA71-20277A	FIXER-ROLLER; SR-62,NY-66,T2.0,-,-	SA	2
10	3		DA97-14143A	ASSY RAIL-LOW RIGHT; LATOUR,PP,WITH ROLLE	SNA	2
10-1	4	RR069	DA66-10104A	ROLLER-FRE; POM,-,-,D22,-,-,	SC	1
10-2	4	RR250	DA71-20277A	FIXER-ROLLER; SR-62,NY-66,T2.0,-,-	SA	2
11	3	RK387	DA41-00519B	PBA-LED LAMP; GUGGENHEIM-PJT,CEM-1,100*20	SA	2
12	2	RU022	DA63-05431A	COVER-LED SIDE; AW3,SAN,NTR	SA	2
13	2	RY725	DA63-03623D	COVER-LAMP; TWIN,PC,T2.0,W35,L152,TRANSPA	SA	2
14	3		DA41-00519P	ASSY-ROOM LAMP LED; SSEDA,CEM-1,100*20*1	SA	2
15	2		DA67-03879A	CAP AIR-OUT; FSR-CD,ABS,HB,HG-0760GP,COOL	SA	1
16	2		DA97-14716A	ASSY COVER DRAWER-REF FLIP; FSR CD	SA	1
16-1	3		DA61-09853A	FIXER COVER-REF; FSR CD,PP,NATURAL,HB,BJ7	SA	1
16-2	3		DA63-07860A	COVER DRAWER-REF FLIP; FSR CD,SAN,HB,-,HF	SA	1

3. Cabinet

Exploded View



Parts List

No.	Lvl.	Loc.	Material Code	Description & Specification	SNA	Qty.
1	2	RO133	DA97-14744B	ASSY TOP TABLE; FSR-CD/FS	SA	1
1-1	3	RK819	DA34-00043A	SWITCH REED-ASS'Y; 200VDC,1.5,-	SA	2
1-2	3		DA96-01044D	ASSY WIRE HARNESS-SUB; SBS,12VDC,UL,-,UL,	SA	1
1-3	3	RO302	DA32-00034B	SENSOR HUMIDITY; SHT20P,POLARIS,5V,1mA,0	SA	1
1-4	3	RR089	DA32-10105B	SENSOR TEMP; -, -, -, -, -, TEMP CAP TYPE, -,	SC	1
1-5	3		DA61-05033B	PLATE COVER; GUGGENHEIM,GI-SGCC,T0.3,-	SA	1
1-6	3	RO265	DA64-04705A	TOP TABLE-FRONT; FSR-CD,ABS,INOX GRAY	SNA	1
2	2		DA97-14042A	ASSY HINGE-UP LEFT; LATOUR,RO,FSR	SA	1
2-1	3		DA61-09269A	HINGE-UP LEFT; LATOUR,PO-SPHC,T3.0, RO,F*	SNA	1
2-2	4		DA66-01046A	SHAFT HINGE-UP; FOOD SHOW CASE,CR-SCP1,BL	SNA	1
3	2		DA99-04198A	ASSY INSTALL; FSR CD,USA	SA	1
3-1	3	RR094	DA61-04522A	CLIP-FITTING LOCK; AW,POM,-, -, 1/4inch	SA	4
4	2		DA97-14041A	ASSY HINGE-UP RIGHT; LATOUR,FSR	SA	1
4-1	3		DA61-09274A	HINGE-UP RIGHT; LATOUR,PO-SPHC,T3.0, FSC	SNA	1
4-2	3	RK777	DA63-50192A	SHIM-HINGE UPP; RD-PVC,-,T1.0	SA	1
5	2	RO255	DA61-04932A	FIXER HINGE-UPP; HEAMIL-PJT,GI,T3.0,-,-	SA	2
6	2		DA61-09237A	HINGE-UP RIGHT; FOOD SHOW CASE,SHP1,ELECT	SA	1
7	3		DA97-14046B	ASSY HINGE-LOW LEFT; FSR CD,DISPENSER	SA	1
7-1	4		DA66-00716A	SHAFT-HINGE LOW L; SSEDA,SM45C,42.5,18.3,	SNA	1
7-2	4	RX003	6021-000171	NUT-HEXAGON; 3C,M12,SN PLT,SS34	SA	1
7-3	4		6031-001297	WASHER-SPRING; SCP1,ID12.3,OD21.5,T2,ZPC(SA	1
7-4	4	RO100	DA61-07972B	FOOT-FRONT; POLARIS,PP,BLACK,INSERT NUT,	SA	1
7-5	4	RO049	DA61-07973B	FOOT; POLARIS,PP,BLACK,PP_S	SA	1
7-6	4		DA61-09275B	HINGE-LOW LEFT; FSR CD,PO-SPHC,T5.0,DISPE	SNA	1
7-6-1	5	RY454	DA66-00793A	SHAFT-LEG FRONT; POLARIS,SWCH10A,BLACK,EL	SA	1
8	3		DA97-14047A	ASSY HINGE-LOW RIGHT; LATOUR,PO, FSR	SA	1
8-1	4		DA66-00911C	SHAFT HINGE; POLARIS,SWCH10A,WHITE,FORGIN	SA	1
8-2	4	RX003	6021-000171	NUT-HEXAGON; 3C,M12,SN PLT,SS34	SA	1
8-3	4		6031-001297	WASHER-SPRING; SCP1,ID12.3,OD21.5,T2,ZPC(SA	1
8-4	4	RO100	DA61-09458A	FOOT-FRONT; PPI BLACK	SNA	1

Exploded Views and Parts List

No.	Lvl.	Loc.	Material Code	Description & Specification	SNA	Qty.
8-5	4		DA61-09276A	HINGE-LOW RIGHT; LATOUR,PO-SPHC,T6.0, PO,	SNA	1
8-6	4		DA66-00891A	CAM-HINGE RISER REF LOW; MONTES ALPHA,NY-	SA	1
8-7	4	RO049	DA61-09459A	FOOT; PPI BLACK	SNA	1
9	2	RM030	DA63-00586B	COVER-TUBE FILTER; A-TOP,PP,-,W76,L83,-,-	SA	1
10	2	RO321	DA97-13181B	ASSY COVER-PBA MAIN; ROMANEE-CONTI,T0.5	SA	1
11	2	RH001	DA97-12749B	ASSY COVER COMP; POLARIS,GI-SGCC,T0.25	SA	1
12	2		DA97-14655D	ASSY CASE WATER FILTER-SIDE; FSR CD,220V-	SA	1
12-1	3		DA62-03103A	TUBE-FITTING L; AW33,POM,GRAY	SA	3
12-2	3		DA97-08006L	ASSY CASE FILTER; H920G	SNA	1
12-2-1	3	RR094	DA61-04522A	CLIP-FITTING LOCK; AW,POM,-,-,1/4inch	SA	4
13	2		DA62-03897A	PIPE-CONNECT SUCTION FRE; ROMANEE-CONTI,C	SA	1
14	2	RH069	DA27-00043A	COIL FILTER; SSLF-203F,4.0mH, 14.0mH,60*8	SA	1
15	1		DA92-00483D	ASSY PCB INVERTER; INVERTER PBA,FSR,163*9	SA	1
16	1		DA92-00486A	ASSY MODULE; STD #8 SMPS,FOOD SHOWCASE,45	SA	1
17	1	RY475	DA92-00634B	ASSY PCB MAIN; RH9000HWC,197*178,220V,12V	SA	1
18	2	RH002	NC4EVA5ALM/E01	COMPRESSOR,BLDC IPM,15.32CC,220-240V,FAN; COMPRESSOR,BLDC IPM,15.32CC,220-240V,FAN	SA	1
19	2	RH732	DA63-02617A	GROMMET COMP; USP05,EPDM,OD27.0,BLACK	SA	4
20	2		6011-004061	BOLT-HEX; M6,L42.6,SWCH10A	SA	4
21	2	RH015	DA63-01866A	COVER RELAY; NORYL,T2.0,SSEC,BLACK,HOOK	SA	1
22	2	RH044	DA62-04309A	DRYER; ALL,C1220T,9	SA	1
23	2		3903-000794	CBF-POWER CORD; AT,EUROPE,UCP-2,250V/16A,	SA	1
24	2	RK037	DA67-30266K	CAP-SCREW; A-TOP,PP,SC-02740R,-,-,Cool-wh	SA	3
25	2	RZ110	DA97-04049E	ASSY CAP-DRAIN; AW3	SA	1
25-1	3	RG141	DA61-05021A	FIXER-DRAIN; HAEMIL,PP,CARMEN WINE,HB,BJ7	SA	1
25-2	3	RH890	DA62-01266B	TUBE PVC; AW3,SF-PVC,BLACK	SA	1
25-3	3	RO162	DA63-00951B	GROMMET-DRAIN,HOSE; W2-PJT,NBR,WHITE	SNA	1
25-4	3	RO161	DA63-02761A	GROMMET-DRAIN; RS18RK,NBR,-,-,-,-,BLK,-	SA	1
25-5	3	RZ111	DA67-01301A	CAP-DRAIN; TD09,HIPS,NTR	SA	1
26	2	RI069	DA97-05926Z	ASSY-INSTALL FILTER; GUGGENHEIM	SA	1

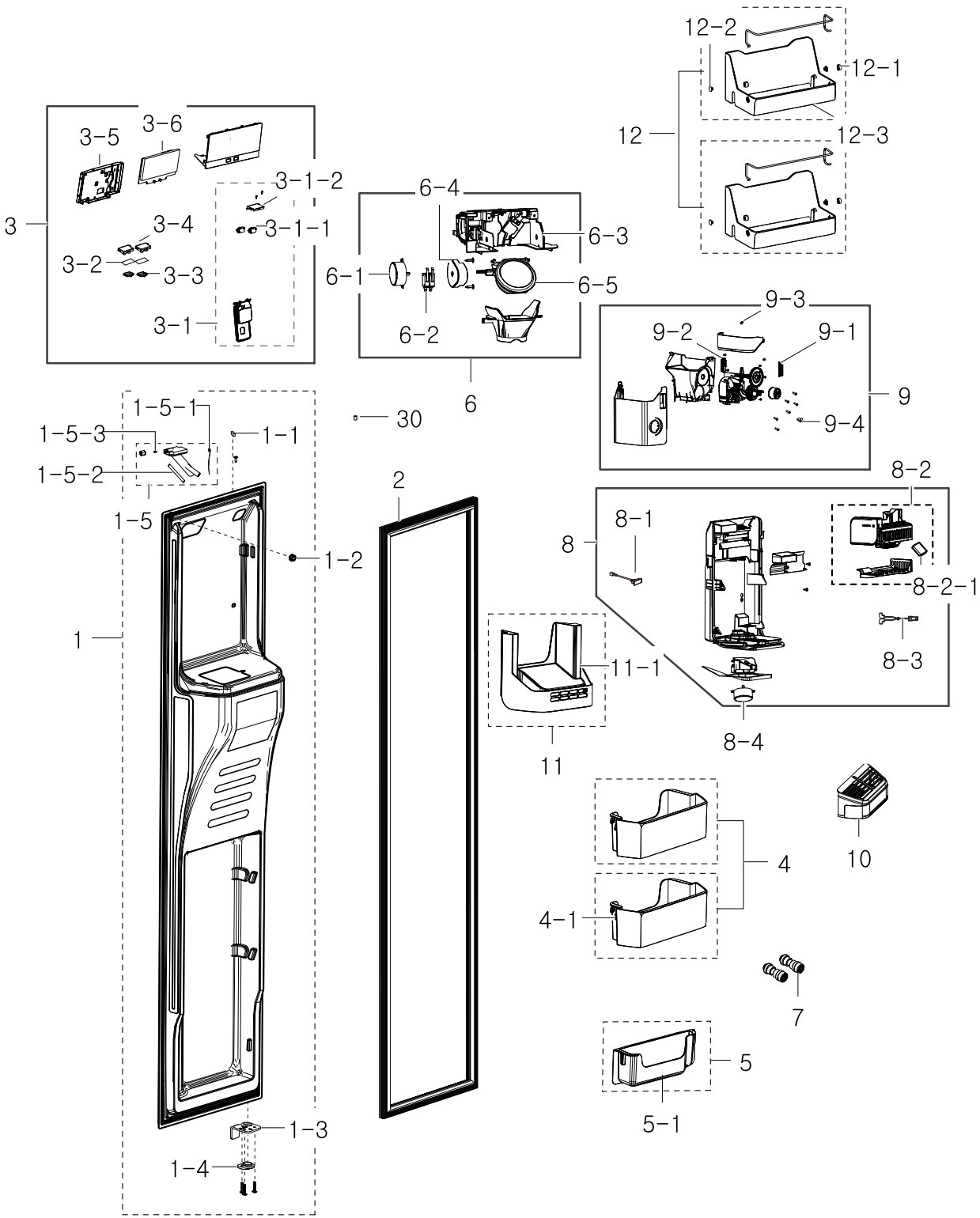
No.	Lvl.	Loc.	Material Code	Description & Specification	SNA	Qty.
26-1	3	RR093	DA61-04521A	CLIP-FITTING LOCK; AW,POM,-,-,5/16inch	SA	1
26-2	3	RR094	DA61-04522A	CLIP-FITTING LOCK; AW,POM,-,-,1/4inch	SA	4
26-3	3	RC001	DA62-01329A	PIPE-CONNECT WATER PACKING; ET-PJT,BRASS,	SA	1
26-4	3	RO207	DA62-01378B	VALVE-FITTING PU; AT06,C3604BD-F,-,-,-	SA	1
26-5	3	RU304	DA63-04744A	COVER-CHECK VALVE; HM,PP,HB,GRAY,CNTK-P-1	SA	1
26-6	3	RH710	DA65-20110B	CLAMP; -,NY-66,-,-,DN-5N,PI8.0	SA	8
26-7	3	RR072	DA74-00070B	VALVE-FITTING NUT; A-TOP,CU,12,C3604 BD-F	SA	2
26-8	3		DA80-00002F	WRENCH-SPANNER; AW3,SM45C,Zn PLATING	SA	1
27	2		DA60-00280A	FITTING-LOKRING 33; GRAND/SAM/HERMES,11SM	SA	1
28	2	RK934	DA39-20389L	WIRE HARNESS-EARTH; 1,YELLOW/GREEN,ST 710	SC	1
29	2	RO354	DA34-00004C	RELAY PROTECTOR O/L; 4TM319SFBYY-82,BK190	SC	1
30	2	RH003	DA97-14261A	ASSY TRAY DRAIN WATER; LATOUR_VE,C160 / S	SA	1
30-1	3		DA97-08464F	ASSY PIPE-CONDENSER; AW3-11	SA	1
30-2	3		DA63-07323A	GROMMET-IMMERSION PIPE B; ROMANEE CONTI,N	SA	1
30-3	3	RH883	DA63-07626A	TRAY DRAIN; LATOUR,PP,NATURAL,PP_S	SNA	1
30-4	3	RH022	DA63-40128A	GROMMET-SUB COND; -,NBR,-,-,-,-,DARK-	SA	2
30-5	3	RO132	DA97-12842A	ASSY SUPPORT-CIRCUIT MOTOR; HM12,160mm FA	SA	1
30-5-1	4	RR053	DA61-20128A	SPRING ETC-FAN; STS304,PI8.8,ID7.8,OD9.8,	SA	1
30-5-2	4	RI086	DA63-07065A	GROMMET-MOTOR; HM12,NBR,BLACK	SA	1
30-5-3	4	RF412	DA61-08427A	SUPPORT-CIRCUIT MOTOR; HM12,ABS,CNTK A-20	SC	1
30-5-4	4	RG062	DA31-00320A	FAN; HM12,ABS+GLASSFIBER,GR-4010/NTR	SC	1
30-5-5	4		DA31-00305C	MOTOR BLDC-CIRCUIT; DRCP8020LA,1120+-6%,1	SC	1
30-5-6	4	RH039	DA61-08428A	BRACKET-CIRCUIT MOTOR; HM12,ABS,GRAY,ABS_	SC	1
31	2		DA97-12557D	ASSY CHASSIS COMP; FSR FS/CD,NO HANDLE	SA	1
31-1	3	RR242	DA61-04703A	CASTER-REAR; AW-PJT,PP,-,35,NTR,35,PP+TPE	SA	2
31-2	3	RX039	DA66-00649A	SHAFT-CASTER; AW-PJT,MSWR10,L46,OD8.0,ZPC	SA	2
32	2	RH026	DA73-10190U	PIPE-CONNECT DISC,B; TD-PJT,C1220-T,OD6.3	SA	1
33	2		DA63-07481A	COVER AIR-OUTLET REF LOW; LATOUR,PP,COOL	SA	1

Exploded Views and Parts List

No.	Lvl.	Loc.	Material Code	Description & Specification	SNA	Qty.
34	2	RO191	DA61-08587A	CASE-PBA MAIN; ROMANEE-CONTI,MPPE,VICTORY	SNA	1
35	2		DB61-00206A	HOLDER-WIRE; BLK	SNA	1
36	3	RH012	DA61-01920A	CASTER-RIVET; (ZPC2),MSWR10,OD8.0,L58	SA	2
37	3	RO360	DA61-04702A	CASTER-FRONT; AW-PJT,PP,-,35,NTR,35,PP+TP	SA	2
38	2	RX042	DA63-40171D	GROMMET-SUCT PIPE B; RAIL L20,NR,ID5.5,OD	SA	1
39	2		DA60-00281A	FITTING-LOKRING 43; GRAND/SAM/HERMES,11SM	SA	1
40	2		DA60-00279A	FITTING-LOKRING 16; GRAND/SAM/HERMES,11SM	SA	1
41	2		DA60-00317A	FITTING-LOKRING 24; 11SMnPb30k,24	SA	1
42	3	RR072	DA74-00070B	VALVE-FITTING NUT; A-TOP,CU,12,C3604 BD-F	SA	2
43	2		DA27-00047A	COIL-HARMONIC; 3mH,0.46 ohm,69*40*39	SA	1
44	2		DA63-06599A	COVER-HOSE BOTT; POLARIS_EXP,GL-SAZCC,T0.	SA	1

4. Freezer Door

Exploded View



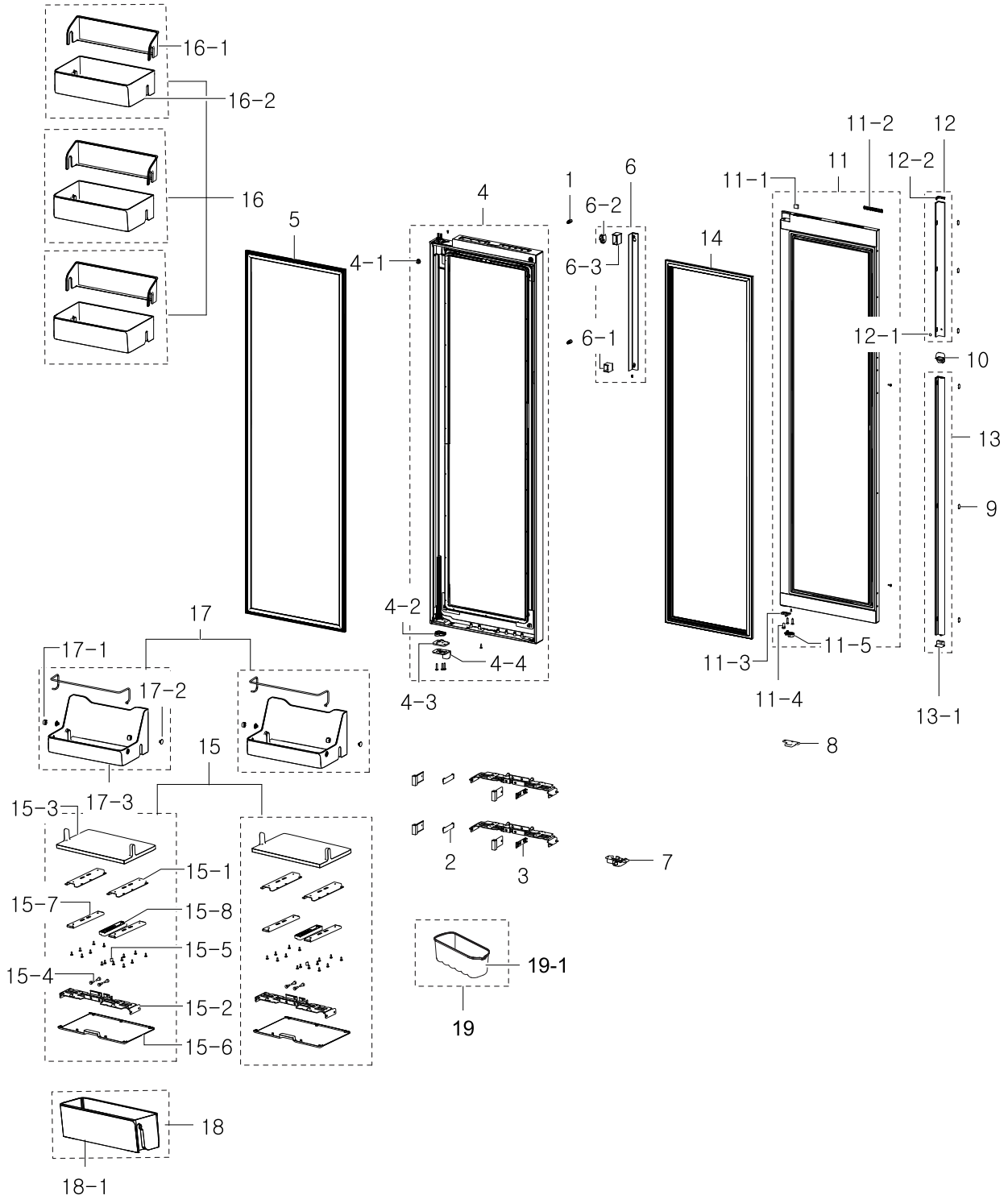
Parts List

No.	Lvl.	Loc.	Material Code	Description & Specification	SNA	Qty.
1	2	RD001	DA91-04188B	ASSY DOOR FOAM-FRE; FSR CD+DISP,REFINED S	SA	1
1-1	5	RY479	DA61-03769A	MAGNET-A; HERMES,-,5x7x18,-,-,1200Gauss	SA	1
1-2	5		DA97-11151D	ASSY FIXER-MOVABLE; HAEMIL,CREAMY STS,MAT	SA	1
1-3	5	RU471	DA61-07527A	STOPPER-DOOR FRE LOW; POLARIS,SHP1,T4.0,W	SA	1
1-4	5	RD202	DA66-00558B	CAM HINGE-RISER UPP L; POLARIS,NY-66,BLAC	SA	1
1-5	5	RO131	DA97-06542A	ASSY PIPE-WATER ICE; GUGGENHEIM(EXP),230V	SA	1
1-5-1	6	RO552	DA47-00104H	HEATER-WATER PIPE; GUGGENHEIM,4.6W,230V,1	SNA	1
1-5-2	6	RY760	DA62-01368F	PIPE-WATER LINE; PERT,4.2,6.35,1000,ORANG	SA	2
1-5-3	6	RM020	DA71-20208A	FIXER-VALVE WATER B; SR-S7180,NY-6,OD6.1,	SA	1
2	2	RU513	DA97-04568W	ASSY-GASKET DOOR FRE; POLARIS,SC-97487,W3	SA	1
3	2		DA97-14704B	ASSY COVER DISPENSER; FSR_GLOBAL,NO OPTIO	SA	1
3-1	3		DA97-12628D	ASSY LEVER DISPENSER; ROMANEE CONTI,STS C	SA	1
3-1-1	4	RD460	DA34-00011B	SWITCH MICRO; 250V,16A,Max 200g	SA	2
3-1-2	4	RE059	DA63-05449A	COVER-SWITCH; AW3,ABS,NATURAL,HG-0760GP	SA	1
3-2	3	RK964	DA41-00217A	ASSY PCB KIT; AD,DOOR FRE,FR-1,31*17,DISP	SA	2
3-3	3	RU012	DA61-05687A	CASE LAMP-LED; SEDA,GPPS,T1.0,NTR,HIT /	SA	2
3-4	3	RE310	DA63-02446A	COVER-LAMP-LED; EPEL,ABS,-,W39.6,L22.6,-,	SA	2
3-5	3	RO464	DA63-06377A	COVER PCB-PANEL REAR; OPUS1,HIPS,GRAY,CNT	SA	1
3-6	3		DA92-00635A	ASSY MODULE; LED TOUCH DISPLAY,RH9000HWC,	SA	1
4	2	RD017	DA97-14068B	ASSY GUARD-FRE UP; FOOD SHOWCASE,GLOBAL	SA	2
4-1	3	RD351	DA63-07520A	GUARD-FRE UP; FOOD SHOW CASE,GPPS,NATURAL	SNA	2
5	2	RI141	DA97-14069B	ASSY GUARD-FRE LOW; FOOD SHOW CASE,GLOBAL	SA	1
5-1	3		DA63-07521A	GUARD-FRE LOW; FOOD SHOW CASE,GPPS,NATURA	SNA	1
6	2		DA97-06473J	ASSY CASE ICE-ROUTE; FSR CD,220V	SA	1
6-1	3	RF261	DA31-00079A	MOTOR GEARED-DISP; 15.2/18.2 rpm,50/60Hz,	SA	1

No.	Lvl.	Loc.	Material Code	Description & Specification	SNA	Qty.
6-2	3	RK822	DA34-00011A	SWITCH-MICRO; VP533A-OF-5,MICRO,PBT,250V,	SA	2
6-3	3	RE130	DA61-04373A	CASE ICE ROUTE; GUGGENHEIM,ABS,I BLACK,-	SA	1
6-4	3	RD199	DA66-00309A	CAM-GEAR MOTOR; QUEEN,POM,-,-,NTR,-,-,-,-	SA	1
6-5	3	RD068	DA97-00883E	ASSY COVER-ICE ROUTE; QUEEN-PJT,-,-,-,-	SA	1
7	2	RY761	DA60-00258B	FITTING-TUBE; TUBE FITTING A,PP,1/4'- 1/4	SA	2
8	2		DA97-14253B	ASSY ICE MAKER-INDOOR; GGH2,230V	SA	1
8-1	3	RY459	DA34-00043C	SWITCH REED-ASS'Y; 200VDC,1.5A,-	SA	1
8-2	3	RM061	DA97-13415A	ASSY ICE MAKER; GGH-PJT,220~240V	SA	1
8-2-1	4		DA33-10011A	MAGNET; SSM-390,T2,W5,L7,-,	SA	1
8-3	3	RY001	DA97-00151B	SWITCH REED; UL1007 AWG#22,100,Molex 2P,2	SA	1
8-4	3	RF261	DA31-00079A	MOTOR GEARED-DISP; 15.2/18.2 rpm,50/60Hz,	SA	1
9	2	RZ003	DA97-14263A	ASSY TRAY ICE; GGH2,IN-DOOR	SA	1
9-1	3	RM051	DA66-00587A	LEVER-BUCKET L; GUGGENHEIM,ABS,29.8,76.7,	SC	1
9-2	3	RM052	DA66-00588A	LEVER-BUCKET R; GUGGENHEIM,ABS,29.8,76.7,	SA	1
9-3	3	RM049	DA61-04378A	SPRING ETC-BUCKET LEVER; GUGGENHEIM,STS30	SA	4
9-4	3	RY482	DA61-02738A	MAGNET-ASS'Y; CORE-PJT,Strontium ferrite,	SA	1
10	2	RM003	DA97-06568C	ASSY COVER-ICE MAKER; GUGGENHEIM(EXP),COO	SA	1
11	2	RD017	DA97-14991A	ASSY GUARD-FRE UP; FSR	SA	1
11-1	3	RD351	DA63-07858A	GUARD-FRE UP; FSR-CD,HIPS,COOL WHITE	SA	1
12	2		DA97-13729G	ASSY GUARD-FRE MIDDLE; FOOD SHOW CASE,NO	SA	2
12-1	3	RE431	DA61-09373A	STOPPER DOOR-A; FOOD SHOW CASE,PC,3022IR,	SNA	4
12-2	3		DA61-09404A	STOPPER DOOR-B; FOOD SHOW CASE,PC,3022IR,	SNA	4
12-3	3		DA63-07517C	GUARD-REF MIDDLE; FOOD SHOW CASE,GPPS,ICE	SNA	2

5. Fridge Door

Exploded View



Parts List

No.	Lvl.	Loc.	Material Code	Description & Specification	SNA	Qty.
1	2	RR178	DA61-03734A	FIXER-HANDLE; AW-PJT,SWRCH18A,M8,-,GE	SA	2
2	2		DA67-03730B	CAP REINF-L; FOOD SHOW CASE,ABS,-,HG-0760	SA	2
3	2		DA67-03731B	CAP REINF-R; FOOD SHOW CASE,ABS,-,HG-0760	SA	2
4	2	RE001	DA91-04005D	ASSY DOOR FOAM-REF; REF-IN,BEST,VCM,PURE	SA	1
4-1	5		DA97-11151D	ASSY FIXER-MOVABLE; HAEMIL,CREAMY STS,MAT	SA	1
4-2	5		DA66-01035A	CAM-RISER REF MID UPP; FOOD SHOWCASE,NY-6	SA	1
4-3	5		DA61-09137A	HINGE-LOW REF OUT; FOOD SHOWCASE,SHP1,ELE	SA	1
4-4	5		DA61-09264A	STOPPER DOOR-REF LOW; FOOD SHOWCASE,PO-SP	SA	1
5	2	RR238	DA97-04568V	ASSY-GASKET DOOR REF; POLARIS,SC-97487,W4	SA	1
6	2	RO013	DA97-13873A	ASSY HANDLE-REAR; FOOD SHOW CASE,AL	SA	1
6-1	3		DA67-03674A	CAP-HANDLE REF IN LOW; FOOD SHOW CASE,ABS	SA	1
6-2	3		DA61-09327A	BRACKET HANDLE; FOOD SHOW CASE,POM,WHITE	SA	1
6-3	3		DA67-03673A	CAP-HANDLE REF IN UPP; FOOD SHOW CASE,ABS	SA	1
7	2		DA97-14090A	ASSY COVER LATCH; FOOD SHOW CASE,GRAY	SA	1
8	2		DA64-04574A	LOCKER; FOOD SHOWCASE,POM,CREAMY STAINLES	SA	1
9	2		DA67-03677B	CAP HANDLE-SIDE; LATOUR,ABS,HG-0760GP,INO	SA	6
10	2		DA67-03727A	CAP HANDLE-REF; FOOD SHOW CASE,ABS,MP-016	SA	1
11	2	RE001	DA91-04189B	ASSY DOOR FOAM-REF; FSR CD/FS, REF-OUT,RE	SA	1
11-1	5	RY478	DA61-03769B	MAGNET; SVETA,MAGNET,T5,W15,L18	SA	1
11-2	4	RO716	DA64-04021B	MASCOT; ALL,NI,T0.05,L90	SA	1
11-3	5	RO111	DA61-09426A	STOPPER DOOR-REF; FOOD SHOW CASE,PO-SPHC,	SA	1
11-4	5	RE128	DA63-07566A	GROMMET HINGE-REF LOW; FOOD SHOWCASE,PA66	SA	1
11-5	5		DA66-01044A	CAM AUTO CLOSE-RIGHT; FOOD SHOWCASE,POM,C	SA	1
12	2		DA97-13874A	ASSY HANDLE-REF UP; FOOD SHOW CASE,AL	SA	1

Exploded Views and Parts List

No.	Lvl.	Loc.	Material Code	Description & Specification	SNA	Qty.
12-1	3		DA63-07634B	GROMMET HANDLE; FOOD SHOW CASE,SILICON,LI	SA	1
12-2	3		DA67-03675A	CAP-HANDLE REF OUT UPP; FOOD SHOW CASE,AB	SA	1
13	2		DA97-13875A	ASSY HANDLE-REF LOW; FOOD SHOW CASE,AL	SA	1
13-1	3		DA67-03676A	CAP-HANDLE REF OUT LOW; FOOD SHOW CASE,AB	SA	1
14	2		DA97-13915A	ASSY GASKET-REF; FOOD SHOW CASE,DARK-GRAY	SA	1
15	2		DA97-13891A	ASSY TRAY-MIDDLE; FOOD SHOW CASE,ASSY,STA	SA	2
15-1	3		DA61-09232A	RAIL-MIDDLE RIGHT; FOOD SHOW CASE,EGI-SEC	SA	4
15-2	3		DA61-09252A	REINF-MIDDLE FRONT; FOOD SHOWCASE,EGI-SEC	SA	2
15-3	3	RU521	DA63-07523A	TRAY-REF; FOOD SHOW CASE,ABS,COOL WHITE	SA	2
15-4	3		DA63-07548A	GROMMET; FOOD SHOWCASE,SILICON,WHITE	SA	8
15-5	3		DA63-07559A	GROMMET-LOW; FOOD SHOWCASE,SILICON,WHITE	SA	2
15-6	3		DA63-07630A	COVER RAIL; FOOD SHOWCASE,ABS,COOL WHITE,	SA	2
15-7	3		DA97-13887A	ASSY RAIL-MIDDLE; FOOD SHOW CASE,ASSY	SA	4
15-8	3		DA97-13895A	ASSY RAIL-UP; FOOD SHOW CASE,ASSY	SA	2
16	2		DA97-13728G	ASSY GUARD-REF UP; FOOD SHOW CASE,NO PRIN	SA	3
16-1	3		DA61-09441A	GUIDE; LATOUR,PP,RP344N,NATURAL	SA	3
16-2	3		DA63-07516D	GUARD-REF UP; FOOD SHOW CASE,GPPS,TP BLUE	SA	3
17	2		DA97-13729G	ASSY GUARD-FRE MIDDLE; FOOD SHOW CASE,NO	SA	2
17-1	3	RE431	DA61-09373A	STOPPER DOOR-A; FOOD SHOW CASE,PC,3022IR,	SNA	4
17-2	3		DA61-09404A	STOPPER DOOR-B; FOOD SHOW CASE,PC,3022IR,	SNA	4
17-3	3		DA63-07517C	GUARD-REF MIDDLE; FOOD SHOW CASE,GPPS,ICE	SNA	2
18	2	RI161	DA97-13730C	ASSY GUARD-REF LOW; FOOD SHOW CASE,NO PRI	SA	1
18-1	3	RU461	DA63-07518B	GUARD-REF SUB; FOOD SHOW CASE,GPPS,TP BLU	SNA	1
19	2	RG125	DA97-02806F	ASSY TRAY-EGG; ROSSO,NTR	SA	1
19-1	3	RE355	DA63-02492A	TRAY EGG; EPEL,GPPS,NATURAL,T2.5,W324.5,H	SA	1

