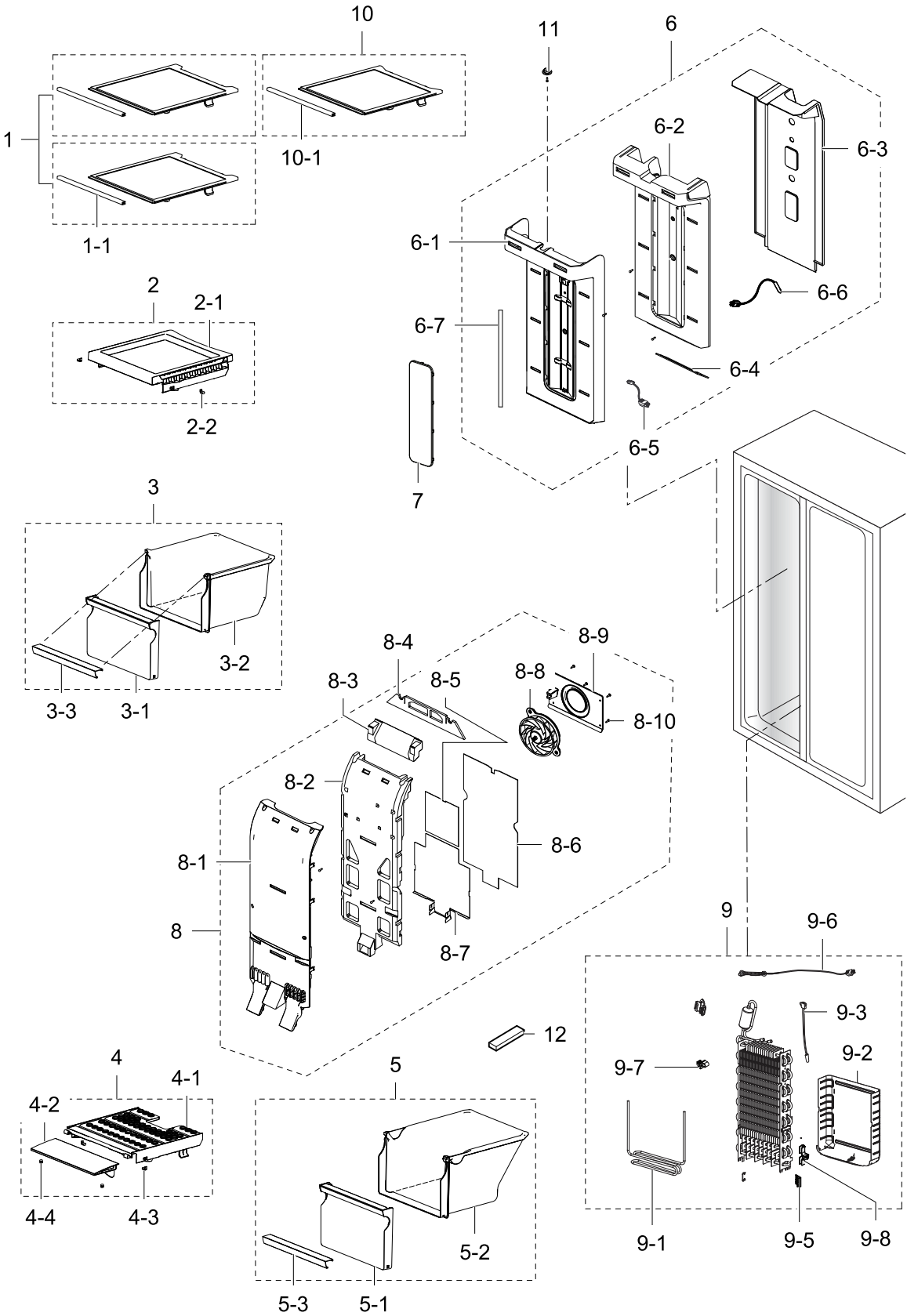


1. Freezer

Exploded View



Parts List

No.	Lvl.	Loc.	Material Code	Description & Specification	SNA	Qty.
1	2		DA97-12800A	ASSY SHELF-FRE TOP; HM12-PJT	SA	2
1-1	3		DA64-03678E	TRIM-SHELF FRONT; HM12,ABS,SD-0150,COOL W	SA	2
2	2	M0310	DA97-12766A	ASSY SHELF FRE-LOW; HM10-SEPM,RAIL TWO-PI	SA	1
2-1	3	Z1179	DA67-03384A	SHELF FRE-LOW; HERMES,ABS,COOL WHITE,HB,H	SNA	1
2-2	3	G0587	DA63-00202C	GROMMET-RAIL; TD-PJT,PA66,W10.7,COOL WHIT	SA	2
3	2	Z1189	DA97-12803A	ASSY CASE-BASKET HIGH; HM12-PJT	SA	1
3-1	3	A1182	DA63-07075A	COVER BASKET-HIGH; HM12,GPPS,HB,165N,TP B	SNA	1
3-2	3		DA61-08435A	CASE BASKET-HIGH; HM12,GPPS,TP BLUE,HB,16	SNA	1
3-3	3		DA64-03862H	TRIM-TRAY FRE; HERMES-12,HIPS,S834S1,COOL	SA	1
4	2		DA97-12807A	ASSY COVER-SLIDE BASKET; HM12-PJT	SA	1
4-1	3	G0408	DA63-07054A	COVER BASKET-LOW; HM10,ABS,HB,NATURAL, TX-	SNA	1
4-2	3		DA63-07077A	COVER SLIDE-BASKET; HM12,PETG,HB,NATURAL,	SNA	1
4-3	3	G0587	DA63-00202C	GROMMET-RAIL; TD-PJT,PA66,W10.7,COOL WHIT	SA	2
4-4	3		DA63-07113A	GROMMET-COVER SIDE; HM12,SI,Transparency	SA	2
5	2	A1186	DA97-12804C	ASSY CASE BASKET-LOW; HM12-PJT	SA	1
5-1	4	G0408	DA63-07074A	COVER BASKET-LOW; HM12,GPPS,HB,165N,TP, B	SNA	1
5-2	3	G0407	DA61-08434A	CASE BASKET-LOW; HM12,GPPS,TP BLUE,HB,165	SNA	1
5-3	3		DA64-03862H	TRIM-TRAY FRE; HERMES-12,HIPS,S834S1,COOL	SA	1
6	2	M0304	DA97-12821A	ASSY COVER MULTI-FRE; HM12,IN-DOOR,NOMAL	SA	1
6-1	3		DA63-07061A	COVER MULTI-FRE; HM12,PP,HB,COOL WHITE,EP	SNA	1
6-2	3		DA62-03721A	INSULATION-MULTI FRE; HM12,PS FOAM,WHITE	SNA	1
6-3	3		DA61-08424A	PLATE-INS MULTI FRE; HM12,PP,T2.0,BLACK,R	SNA	1
6-4	3		DA62-03766A	SEAL-MULTI FRE LOW; HM12,OJC-3000,WHTIE,T	SNA	1
6-5	3		DA96-00768M	ASSY WIRE HARNESS-LED; ALL,12VDC,ALL,UL,A	SA	1

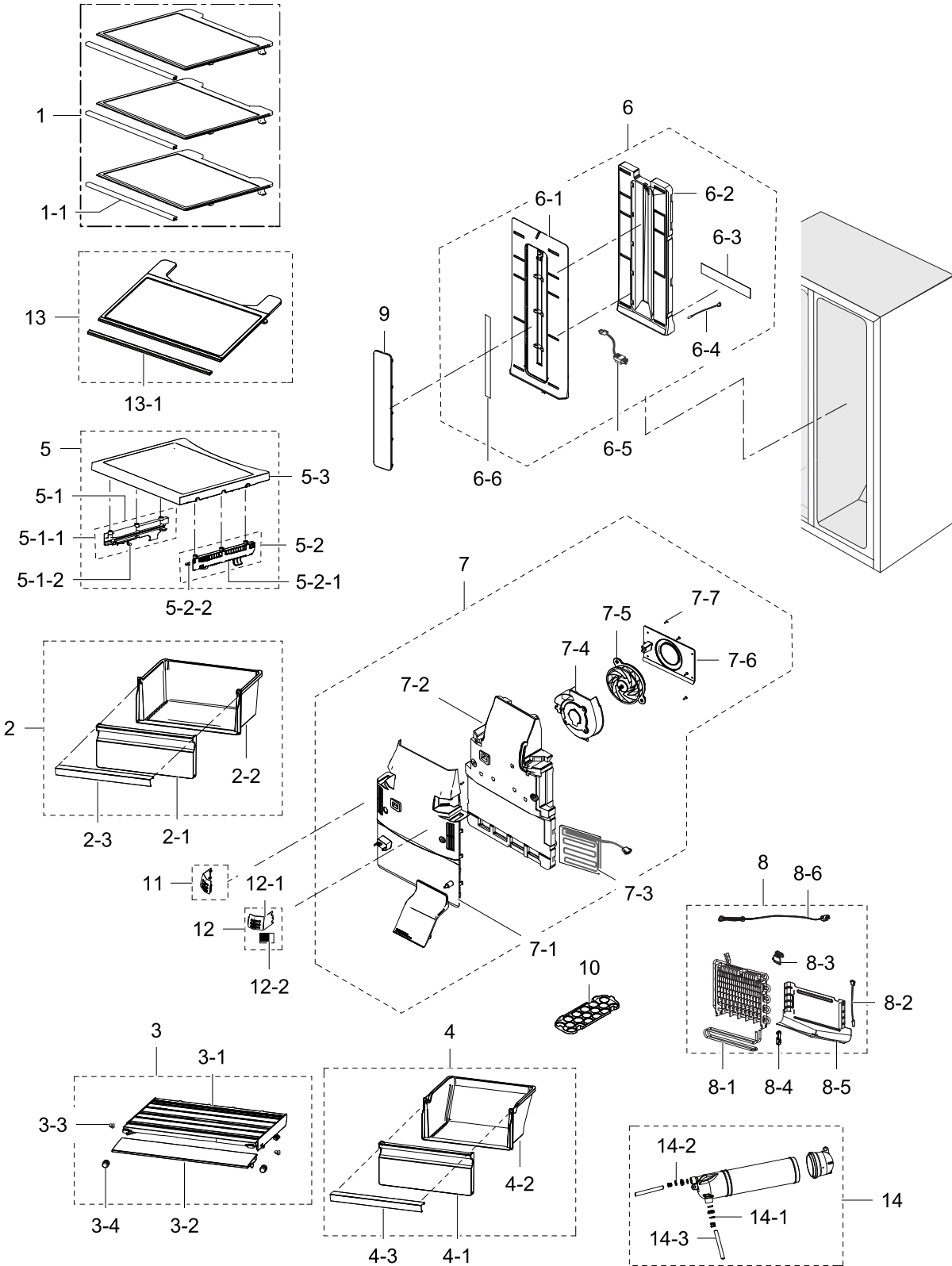
No.	Lvl.	Loc.	Material Code	Description & Specification	SNA	Qty.
6-6	3	A1018	DA32-00006D	SENSOR TEMP; PX-41C,502AT,DKST1329GW,EXPO	SNA	1
6-7	3	G0090	DA41-00749C	ASSY LAMP LED; 8ea,CEM-1,335*20,WHITE,SMA	SA	1
7	2	M0152	DA63-05297A	COVER-LAMP FRE; HM10,LED,PP,HB,NATURAL,EP	SA	1
8	2	M0303	DA97-12820A	ASSY COVER EVAP-FRE; HM12,BASIC, AIO Slim	SA	1
8-1	3		DA63-07060A	COVER EVAP-FRE; HM12,PP,HB,COOL WHITE,EP4	SNA	1
8-2	3		DA62-03720A	INSULATION-EVAP FRE A; HM12,PS FOAM,WHITE	SNA	1
8-3	3		DA62-03722A	INSULATION-EVAP FRE B; HM12,PS FOAM,WHITE	SNA	1
8-4	3		DA62-03765A	SEAL-COVER EVAP FRE HIGH; HM12,OJC-3000,W	SNA	1
8-5	3		DA61-08591A	PLATE-INS EVAP; Twin_R,PP,T1.0,NATURAL,BJ	SNA	1
8-6	3		DA62-03764A	SEAL-COVER EVAP FRE REAR; HM12,FOAM-PE+AL	SNA	1
8-7	3		DA61-05991C	PLATE-EVAP HEATER FRE; HERMES,GL-SAZCC,T0	SA	1
8-8	3		DA31-00287B	MOTOR BLDC FAN; ARES2120RA,1870 4%,12V,2	SA	1
8-9	3	M0143	DA61-08425A	CASE-MOTOR FRE; HM12,ABS,GRAY,CNTKA-204,S	SA	1
8-10	3	G0412	6002-001204	SCREW-TAPPING; TH,+,-,1,M4,L16,PASS,STS43	SA	4
9	2	A0163	DA96-00675U	ASSY EVAP-FRE; HM12,FIN TUBE,A1070,230V,2	SA	1
9-1	3	G0515	DA47-00320L	HEATER METAL SHEATH; AC230V,HM10 FRE, 264	SNA	1
9-2	3		DA61-05989B	PLATE-DRAIN EVAP FRE; HERMES,GL-SAZCC,T0.	SNA	1
9-3	3	A1018	DA32-00029N	SENSOR TEMP; DTN-C502G6X,DKST1329GW,NEXT-	SNA	1
9-5	3	A0744	DA61-05160A	FIXER-FUSE; CULLI_09,PP,NATURAL,BJ750	SNA	1
9-6	3	A1008	DA47-00301F	THERMO FUSE-ASSY; AC250V,10A,109~110S	SNA	1
9-7	3	M0475	DA61-06013A	FIXER-WIRE; AW3-PJT,PP,NTR	SNA	1
9-8	3	G0521	DA61-06691A	FIXER-WIRE FRE SUB; HM/GGH/HAEMIL,PP,NTR,	SNA	1
10	2		DA97-12799A	ASSY SHELF-FRE MID; HM12-PJT	SA	1
10-1	3		DA64-03678E	TRIM-SHELF FRONT; HM12,ABS,SD-0150,COOL W	SA	2

Exploded Views and Parts List

No.	Lvl.	Loc.	Material Code	Description & Specification	SNA	Qty.
11	2	G0200	DA61-01797A	FIXER GROMMET-DOOR; T3-PJT,PP,SC-02740R	SA	1
12	2		DA62-01018A	SEAL CUTT-RUBBER; A-TOP M/C,BUTYL RUBBER,	SA	1

2. Fridge

Exploded View



Parts List

No.	Lvl.	Loc.	Material Code	Description & Specification	SNA	Qty.
1	2		DA97-12798A	ASSY SHELF-REF TOP; HM12-PJT	SA	3
1-1	3		DA64-03678D	TRIM-SHELF FRONT; HM12,ABS,SD-0150,COOL W	SA	3
2	2	Z1188	DA97-12801A	ASSY CASE-VEG HIGH; HM12-PJT	SA	1
2-1	3	A1183	DA63-07072A	COVER VEG-HIGH; HM12,GPPS,HB,TP BLUE,165N	SNA	1
2-2	3	A0677	DA61-08432A	CASE VEG-HIGH; HM12,GPPS,TP BLUE,HB,165N,	SNA	1
2-3	3		DA64-03862J	TRIM-TRAY FRE; HERMES-12,HIPS,S834S1,COOL	SA	1
3	2		DA97-12806A	ASSY COVER-SLIDE VEG; HM12-PJT	SA	1
3-1	3	M0272	DA63-07017A	COVER VEG-LOW; HM10,ABS,HB,NATURAL,TX-051	SNA	1
3-2	3		DA63-07076A	COVER SLIDE-VEG; HM12,PETG,HB,NATURAL,T90	SNA	1
3-3	3	G0587	DA63-00202C	GROMMET-RAIL; TD-PJT,PA66,W10.7,COOL WHIT	SA	2
3-4	3		DA63-07113A	GROMMET-COVER SIDE; HM12,SI,Transparency	SA	2
4	2	M0236	DA97-12802A	ASSY CASE-VEG LOW; HM12-PJT	SA	1
4-1	3	M0272	DA63-07073A	COVER VEG-LOW; HM12,GPPS,HB,165N,TP, BLUE	SNA	1
4-2	3	M0268	DA61-08433A	CASE VEG-LOW; HM12,GPPS,TP BLUE,HB,165N,H	SNA	1
4-3	3		DA64-03862J	TRIM-TRAY FRE; HERMES-12,HIPS,S834S1,COOL	SA	1
5	2	G0284	DA97-12764A	ASSY SHELF REF-LOW; HM10-SEPM,RAIL-TWO PI	SA	1
5-1	3	G0565	DA97-05233B	ASSY RAIL-BOX L; HERMES-PJT,T2.0,W17,L260	SA	1
5-1-1	4		DA61-03413B	RAIL-BOX L; HERMES-PJT,TALC PP,-,-,NATU	SNA	1
5-1-2	4	G0587	DA63-00202C	GROMMET-RAIL; TD-PJT,PA66,W10.7,COOL WHIT	SA	1
5-2	3	G0566	DA97-05234B	ASSY RAIL-BOX R; HERMES-PJT,T2.0,W17,L260	SA	1
5-2-1	4		DA61-03412B	RAIL-BOX R; HERMES-PJT,TALC PP,-,-,NATU	SNA	1
5-2-2	4	G0587	DA63-00202C	GROMMET-RAIL; TD-PJT,PA66,W10.7,COOL WHIT	SA	1
5-3	3	A0682	DA67-03385A	SHELF REF-LOW; HM10,ABS,COOL WHITE,HG-076	SNA	1
6	2	G0239	DA97-12823A	ASSY COVER MULTI-REF; HM12,COOL WHITE,LED	SA	1
6-1	3	A0689	DA63-07081A	COVER MULTI-REF; HM12,PP,HB,COOL WHITE,EP	SNA	1

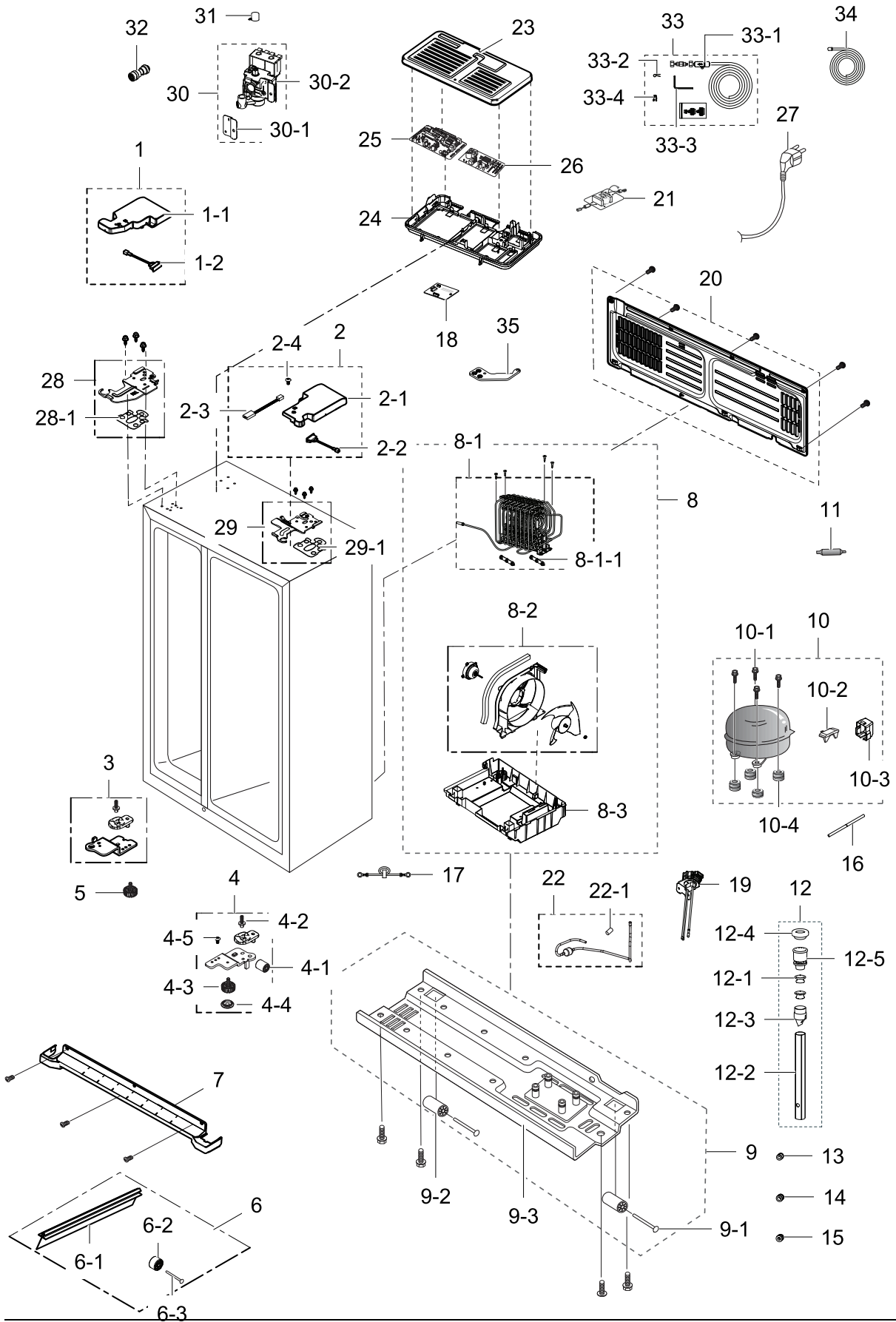
No.	Lvl.	Loc.	Material Code	Description & Specification	SNA	Qty.
6-2	3	A0695	DA62-03726A	INSULATION-MULTI REF; HM12,PS FOAM,WHITE,	SNA	1
6-3	3		DA61-03361A	PLATE-MULTI REF REAR; HERMES,PP,T0.6,-,-,	SNA	1
6-4	3	A1018	DA32-10105U	SENSOR TEMP; 502AT,A-TOP,-50~50,5V,-,-,RO	SA	1
6-5	3	G0563	DA96-00424F	ASSY WIRE HARNESS-LED; ALL,12VDC,ALL,UL,A	SA	1
6-6	3	T0096	DA41-00519Y	ASSY LAMP LED; 9ea,FR-4,490*20,WHITE,SMAW	SA	1
7	2	Z1177	DA97-14607A	ASSY COVER EVAP-REF; HM A+++ ,DISP.	SA	1
7-1	3		DA63-07079A	COVER EVAP-REF; HM12,PP,HB,COOL WHITE,EP4	SNA	1
7-2	3		DA62-04392A	INSULATION COVER EVAP-REF A; HM A+++ ,PS F	SNA	1
7-3	3	G0514	DA47-00258A	HEATER-WATER TANK; AC230V,HERMES, 10580oh	SA	1
7-4	3		DA61-08437A	GUIDE AIR-REF; HM12,HIPS,HB,S834S1,COOL W	SA	1
7-5	3		DA31-00287B	MOTOR BLDC FAN; ARES2120RA,1870 4%,12V,2	SA	1
7-6	3		DA61-08438A	PLATE-MOTOR REF; HM12,ABS,NTR,ABS,AIO Q7	SA	1
7-7	3	G0412	6002-001204	SCREW-TAPPING; TH,+,-,1,M4,L16,PASS,STS43	SA	4
8	2	A0184	DA96-01052B	ASSY EVAP-REF; HM12 A+++ ,AL+CU	SA	1
8-1	3		DA47-00465B	HEATER METAL SHEATH; AC230V,HM A+++ , 440.	SNA	1
8-2	3	A1018	DA32-10104N	SENSOR TEMP; DKST1329GW,AW3,-50~805V,	SNA	1
8-3	3		DA61-03683A	FIXER-SENSER; AW-PJT,PP,-,NTR,FH-44N	SNA	1
8-4	3	G0522	DA61-06700A	FIXER-HEATER WIRE REF; HM/GGH/HAEMIL,PP,N	SNA	2
8-5	3	M0404	DA61-05702B	PLATE-DRAIN EVAP REF; HERMES, GUGGENHEIM,	SNA	1
8-6	3	A1008	DA47-00301D	THERMO FUSE-ASSY; AC250V,10A,109~110S	SA	1
9	2	A0710	DA63-07034A	COVER-LAMP REF; HM10-SEPM,PP,HB,NATURAL,E	SA	1
10	2	Z1106	DA67-40322A	TRAY-EGG; SR-51.55.59,GPPS,-,-,-,-,-	SA	1
11	2		DA63-07080A	COVER DEODORIZER-L; HM12,PP,HB,COOL WHITE	SA	1
12	2		DA97-12822A	ASSY COVER-DEODORIZER R; HM12,COOL WHITE	SNA	1
12-1	3		DA63-07083A	COVER DEODORIZER-R; HM12,PP,HB,COOL WHITE	SA	1
12-2	3	G0513	DA02-90106R	CATALYST-LTC; ALL,T5,W40,L40	SA	1
13	2	A0909	DA97-12797A	ASSY SHELF-REF MID; HM12-PJT	SA	1

Exploded Views and Parts List

No.	Lvl.	Loc.	Material Code	Description & Specification	SNA	Qty.
13-1	3		DA64-03678D	TRIM-SHELF FRONT; HM12,ABS,SD-0150,COOL W	SA	3
14	2	M0042	DA97-12702B	ASSY TANK WATER; HM10 SEPM,ASSY,NTR	SA	1
14-1	3		DA61-04521A	CLIP-FITTING LOCK; AW,POM,-,5/16inch	SNA	1
14-2	3		DA61-04522A	CLIP-FITTING LOCK; AW,POM,-,1/4inch	SNA	1
14-3	3		DA62-02429U	PIPE-WATER LINE; A-TOP08,LLDPE,OD7.93,100	SNA	1

3. Cabinet

Exploded View



Parts List

No.	Lvl.	Loc.	Material Code	Description & Specification	SNA	Qty.
1	2		DA97-15596A	ASSY COVER HINGE-UP LEFT; RH6900JC,INOX G	SA	1
1-1	3		DA63-07529A	COVER HINGE-LEFT; RH6900JC,ABS,-,INOX GRA	SNA	1
1-2	3	G0068	DA34-00043C	SWITCH REED; 13mm,UL1007 AWG 22,100,HOOK	SA	1
2	2		DA97-15595A	ASSY COVER HINGE-UP RIGHT; RH6900JC,INOX	SA	1
2-1	3		DA63-08089A	COVER HINGE-UP RIGHT; RH6900JC,ABS,T2.3,H	SNA	1
2-2	3	G0068	DA34-00043C	SWITCH REED; 13mm,UL1007 AWG 22,100,HOOK	SA	1
2-3	3	A1108	DA32-00034B	SENSOR HUMIDITY; DA32-00034B, HCPV-200H-1	SA	1
2-4	3	G0412	6002-000217	SCREW-TAPPING; TH,+,NO,1,M4,L8,ZPC(WHT),S	SA	1
3	2		DA97-15598A	ASSY HINGE-FRE LOW; RH6900JC,PO	SA	1
4	2		DA97-15597A	ASSY HINGE-REF LOW; RH6900JC,CASTER ADDED	SA	1
4-1	3	M0145	DA61-04702A	CASTER-FRONT; AW-PJT,PP,NATURAL,32, PP+TP	SA	1
4-2	3		DA66-00911C	SHAFT HINGE; POLARIS,SWCH10A,WHITE,FORGIN	SA	1
4-3	3	A0577	DA61-09458A	FOOT-FRONT; PP,I BLACK	SA	1
4-4	3	A0863	DA61-09459A	FOOT; PPI BLACK	SA	1
4-5	3	G0412	6002-000217	SCREW-TAPPING; TH,+,NO,1,M4,L8,ZPC(WHT),S	SA	1
5	2	A0577	DA61-00805F	FOOT-FRONT; REF-ALL,PP,BLACK,PP_S	SA	1
6	2		DA97-12691D	ASSY CABI BOTTOM-REAR; HM-FSR	SNA	1
6-1	3	M0296	DA64-02472A	TRIM-BLADE; HERMES-PJT,PVC,-,L375.2,NAT	SA	1
6-2	3	M0145	DA61-04702A	CASTER-FRONT; AW-PJT,PP,NATURAL,32, PP+TP	SA	1
6-3	3	M0146	DA61-01920A	FIXER-CASTER; ZPC2,MSWR10,OD8.0,L58	SA	1
7	2	A0807	DA63-08083A	COVER LEG-FRONT; RH6900JC,PP,HB,INOX GRAY	SA	1
8	2	A0749	DA97-12869A	ASSY TRAY-DRAIN WATER; HM12,W242.4,L322.4	SA	1
8-1	3	M0349	DA97-03962F	ASSY PIPE-SPIRAL COND; HM12	SA	1
8-1-1	4	M0181	DA63-40128A	GROMMET-SUB COND; -,NBR,-,-,-,-,-,DARK-	SA	2
8-2	3	M0116	DA97-15765A	ASSY SUPPORT-CIRCUIT MOTOR; C 160I	SA	1
8-3	3		DA97-13057B	ASSY TRAY DRAIN WATER-SUB; HM12 SEPM	SA	1

No.	Lvl.	Loc.	Material Code	Description & Specification	SNA	Qty.
9	2	A0738	DA97-12777A	ASSY CHASSIS-COMP; HM10,IN_DOOR	SNA	1
9-1	3	M0146	DA61-01920A	FIXER-CASTER; ZPC2,MSWR10,OD8.0,L58	SA	1
9-2	3	A0527	DA61-04703A	CASTER-REAR; AW-PJT,PP,NTR,35,PP+TPE	SA	2
9-3	3	G0580	DA97-12818A	ASSY CHASSIS-COMP SUB; HM10,IN_DOOR	SA	1
10	2	Z1180	NC4EVA5ALM/AK1	COMPRESSOR,BLDC IPM,15.32CC,220-240V,FAN; COMPRESSOR,BLDC IPM,15.32CC,220-240V,FAN		1
10-1	3	A0564	DA60-20008A	BOLT-HEX; M6,L42.6(28.1),ZPC(SILVER), D9.	SA	4
10-2	3	A0575	DA34-00004C	RELAY PROTECTOR O/L; 4TM319SFBYY-82,BK190	SA	1
10-3	3	Z1032	DA63-01866A	COVER RELAY; NORYL,T2.0,SSEC,BLACK,HOOK	SA	1
10-4	3	Z1112	DA63-02617A	GROMMET COMP; USP05,EPDM,OD27.0,BLACK	SA	4
11	2	A0669	DA62-04309A	DRYER; ALL,C1220T,9	SA	1
12	2	M0067	DA97-04049D	ASSY CAP-DRAIN; AW,ASSY,-,-,L224.5,-,FIXE	SA	2
12-1	3	A0336	DA61-05021A	FIXER-DRAIN; HAEMIL,PP,CARMEN WINE,HB,BJ7	SA	2
12-2	3	G0070	DA62-01266A	TUBE-PVC; EPEL,PVC,OD19.4,L180,ID18,GASKE	SNA	2
12-3	3	A1006	DA63-00951B	GROMMET-DRAIN,HOSE; W2-PJT,NBR,WHITE	SNA	2
12-4	3		DA63-02761A	GROMMET-DRAIN; RS18RK,NBR,-,-,-,-,BLK,-	SA	2
12-5	3	A0492	DA67-01301A	CAP-DRAIN; AW4,HIPS,HB,S834S1,NATURAL	SA	2
13	2		DA60-00279A	FITTING-LOKRING 16; GRAND/SAM/HERMES,11SM	SA	1
14	2		DA60-00280A	FITTING-LOKRING 33; GRAND/SAM/HERMES,11SM	SA	1
15	2		DA60-00281A	FITTING-LOKRING 43; GRAND/SAM/HERMES,11SM	SA	1
16	2	A0523	DA73-10190U	PIPE-CONNECT DISC,B; TD-PJT,CU,C1220T,OD6	SA	1
17	2	A0562	DA39-20389L	ASSY WIRE HARNESS-EARTH; ALL,FREE VOLT,UL	SA	1
18	1		DA92-00486A	ASSY MODULE; STD #8 SMPS,FOOD SHOWCASE,45	SA	1
19	2		DA97-07070C	VALVE STEP; DC12V,MODULE,2WAY	SA	1
20	2	M0076	DA97-12759A	ASSY COVER COMP; HM10-SEPM,SGCC,T0.3	SA	1
21	2	M0489	DA27-00041B	COIL FILTER; SSLF-203AF1,14.0mH,60*82mm,B	SA	1
22	2		DA97-12874A	ASSY PIPE-CONNECT; HERMES PJT	SA	1
22-1	3	M0334	DA63-40171D	GROMMET-SUCT PIPE B; RAIL L20,NBR,-,ID5.5	SA	1

Exploded Views and Parts List

No.	Lvl.	Loc.	Material Code	Description & Specification	SNA	Qty.
23	2	G0089	DA63-05419A	COVER PCB-PANEL; HAEMIL_CULLI,GI-SGCC,T0.	SA	1
24	2		DA61-09821A	CASE PBA-MAIN; HM12 A+++ ,ABS,-,-,VE-0858,	SA	1
25	1	A0952	DA92-00702A	ASSY PCB MAIN; PBA MAIN,HM-FSR,197*178,22	SA	1
26	1		DA92-00483A	ASSY PCB INVERTER; INVERTER,FSC,163*98.5m	SA	1
27	2	A0273	3903-000794	CBF-POWER CORD; AT,E.U,EU3F,3C,250V,16A,B	SA	1
28	2		DA97-14042A	ASSY HINGE-UP LEFT; LATOUR,RO,FSR	SA	1
28-1	3		DA63-50192A	SHIM-HINGE UPP; RD-PVC,-,T1.0	SA	1
29	2		DA97-15599A	ASSY HINGE-UP RIGHT; RH6900JC,PO	SA	1
29-1	3		DA63-50192A	SHIM-HINGE UPP; RD-PVC,-,T1.0	SA	1
30	2	M0315	DA97-07827J	ASSY VALVE WATER; HM10,NO FLOW SENSOR, 22	SA	1
30-1	3		DA61-05859A	BRACKET-WATER VALVE; HM10,GI-SGCC,T1.6,FL	SNA	1
30-2	3	G0527	DA62-02291E	VALVE WATER; AC220-240V,120,2WAY,L-Wire,1	SNA	1
31	2		DA67-03471A	CAP-NUT; HM12,SILICON,14,BLUE	SNA	1
32	2	T0093	DA60-00258B	FITTING-TUBE; TUBE FITTING A,PP,1/4,1/4'-	SA	2
33	2	A0684	DA97-11752M	ASSY-INSTALL FILTER; HM,EXTERNAL FILTER	SNA	1
33-1	3		DA63-04744A	COVER-CHECK VALVE; HM,PP,HB,GRAY,CNTK-P-1	SA	1
33-2	3	G0589	DA65-20110B	CABLE CLAMP; PA66	SNA	8
33-3	3	Z1222	DA80-00002F	WRENCH-SPANNER; AW3,SM45C,Zn PLATING	SNA	1
33-4	3		DA61-04522A	CLIP-FITTING LOCK; AW,POM,-,-,1/4inch	SNA	1
34	2	G0585	DA97-12871A	ASSY PIPE WATER-LINE; HM12,CAP TUBE , 1/4	SA	1
35	2	M0488	DA61-10385A	HINGE-UP; RH5000H,PO-SPHC,T4.0,-,ELETRODE	SA	1

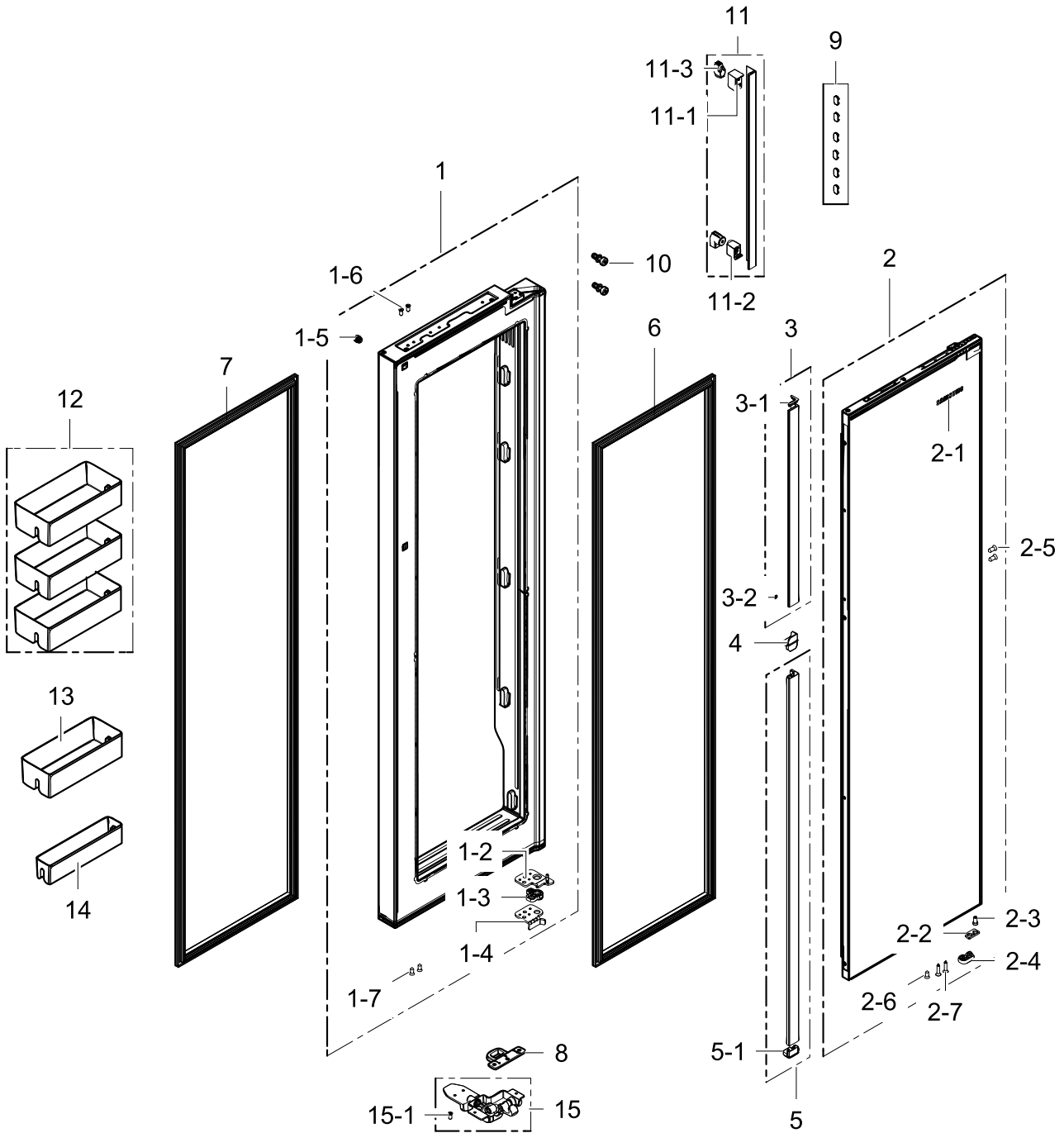
Parts List

No.	Lvl.	Loc.	Material Code	Description & Specification	SNA	Qty.
1	2	M0063	DA91-04361B	ASSY DOOR FOAM-FRE; HM12-FSR,EZ CLEAN STE	SA	1
1-1	5	A0534	DA61-03769A	MAGNET-A; HERMES,FERRITE,1600Gauss	SNA	1
1-2	5		DA97-11151D	ASSY FIXER-MOVABLE; HAEMIL,CREAMY STS,MAT	SA	1
1-3	5		DA61-10503A	STOPPER DOOR-FRE LOW; RH6900JC,PO-SPHC,-,	SNA	1
1-4	5	M0265	DA66-00558B	CAM HINGE-RISER UPP L; POLARIS,NY-66,BLAC	SA	1
1-5	5	M1100	DA97-06542A	ASSY PIPE-WATER ICE; GUGGENHEIM(EXP),230V	SA	1
1-5-1	6	Z1218	DA47-00104H	HEATER-WATER PIPE; AC230V,HM12_INDOOR, 11	SNA	1
1-5-2	6	G0526	DA62-01368F	PIPE-WATER LINE; PERT,4.2,6.35,1000,ORANG	SA	2
1-5-3	6	M0278	DA71-20208A	FIXER-VALVE WATER B; SR-S7180,PA6,-,BLUE	SA	1
1-6	5	M0208	DA73-00211A	RUBBER-CAP HOSE; i4-PJT,SILICON,GRAY	SA	1
1-7	5		DA61-03467B	FIXER-HOSE; AW-PJT,HIPS,NATURAL,S834S1	SA	1
1-8	5	G0412	6002-001547	SCREW-TAPPING; FH,+,NO,1,M4,L10,ZPC(WHT),	SA	1
1-9	4	G0412	6002-001547	SCREW-TAPPING; FH,+,NO,1,M4,L10,ZPC(WHT),	SA	3
2	2		DA97-15576A	ASSY GASKET-FRE; HM-FSR,GRAY	SA	1
3	2		DA97-12819E	ASSY COVER DISPENSER; HM12 A+++,ICE BLUE	SA	1
4	2		DA97-15090B	ASSY GUARD-FRE UP; HM12	SA	1
4-1	3	A0623	DA63-07057A	GUARD FRE-UPP; HM10,HIPS,T1.0,COOL WHITE,	SA	1
5	2	M0365	DA63-08087A	GUARD-FRE LOW; RH6900JC,GPPS,T3.0,TP BLUE	SA	1
6	2	M0299	DA97-12778A	ASSY CASE AUGER MOTOR; HM10,IN_DOOR	SA	1
6-1	3	M0200	DA31-00079A	MOTOR GEARED AC DISP; MVL15AR11/MCFA182A	SA	1
6-2	3	M0199	DA31-00210E	MOTOR GEARED-AUGER; ISG-3245SSB,150kgf.cm	SA	1
6-3	3	G0572	DA97-11248A	ASSY-CAM LEVER CUBE; SSED,INDOOR	SA	1
6-3-1	4	M0396	DA66-00589A	CAM-LEVER CUBE; GUGGENHEIM,POM,T17.9,55	SNA	1
6-3-2	4	A0534	DA33-10011A	MAGNET; SSM-390,T2,W5,L7,-,	SNA	1
6-4	3	M0393	DA61-04363B	CASE-AUGER MOTOR; HM10,GGH,HIPS,COOL WHIT	SC	1
6-5	3	G0068	DA34-00043C	SWITCH REED; 13mm,UL1007 AWG 22,100,HOOK	SA	1
6-6	3		DA96-00036P	ASSY WIRE HARNESS-AUGER; SBS,FREE VOLT,UL	SNA	1

No.	Lvl.	Loc.	Material Code	Description & Specification	SNA	Qty.
6-7	3	M0395	DA63-04362B	COVER MOTOR-AUGER SUB; HM12,HIPS,HB,COOL	SA	1
6-8	3	G0564	DA97-00151B	SWITCH REED; UL1007 AWG 22,230,35151-0210	SA	1
6-9	3	A0104	DA97-11092A	ASSY ICE MAKER; GGH-PJT,220~240V,50Hz	SA	1
6-9-1	4	M0394	DA63-04355A	COVER-HEATER ICE MAKER; GUGGENHEIM,ABS,47	SNA	1
6-10	3		DA63-05515A	COVER-MOTOR AUGER COIL; GGH,ABS,NTR	SA	1
7	2	M0122	DA97-12772A	ASSY TRAY-ICE BUCKET; HM10,IN_DOOR	SA	1
7-1	3	G0552	DA64-04212A	WINDOW BUCKET; HM10,PETG,T90G,NATURAL	SA	1
7-2	3		DA66-00587A	LEVER-BUCKET L; GUGGENHEIM,ABS,29.8,76.7,	SC	1
7-3	3	G0557	DA66-00588A	LEVER-BUCKET R; GUGGENHEIM,ABS,29.8,76.7,	SA	1
7-4	3		DA61-04378A	SPRING ETC-BUCKET LEVER; GUGGENHEIM,STS30	SNA	4
7-5	3		DA63-04359C	TRAY ICE-BUCKET FRONT; HM10,ABS,COOL WHIT	SA	1
7-6	3		DA63-04354C	COVER-CRUSHER BUCKET; GUGGENHEIM,ABS,HB,N	SA	1
7-7	3	M0485	DA61-02738A	MAGNET-ASS'Y; CORE-PJT,Strontium ferrite,	SA	1
7-8	3		DA65-00051A	CLAMPER CORE-HELIX; GUGGENHEIM,STS304,-,-	SA	1
7-9	3	G0412	6002-000473	SCREW-TAPPING; TH,+,NO,1,M4,L14,PASS,STS3	SA	6
8	2		DA97-12776A	ASSY COVER-PCB PANEL REAR; HM10,IN_DOOR	SNA	1
8-1	3	G0581	DA97-12836A	ASSY COVER-PCB PANEL REAR SUB; HM10,IN_DO	SA	1
8-2	3		DA66-00685A	LEVER-DISPENSER WATER; HM09,SAN,NTR	SA	1
8-3	3		DA66-00684A	LEVER-DISPENSER ICE; HM09,SAN,NTR	SA	1
9	2	A0842	DA34-00011B	SWITCH-MICRO; 125/250V,16A,200gf,SPST-NO	SA	2
10	2	M0305	DA97-12817A	ASSY COVER-ICE MAKER; HM10-SEPM,135.6,299	SA	1
10-1	3		DA63-05291A	COVER-ICE MAKER B; HM10,SAN,124.3,293.9,N	SA	1
11	2	M0366	DA63-08086A	GUARD-FRE UP; RH6900JC,GPPS,T3.0,TP BLUE	SA	2

5. Fridge Door

Exploded View



Parts List

No.	Lvl.	Loc.	Material Code	Description & Specification	SNA	Qty.
1	2		DA91-04341A	ASSY DOOR FOAM-IN; RH6900JC	SA	1
1-2	5		DA61-10506A	HINGE-LOW RIGHT; RH6900JC,PO-SPHC,T4.5,-	SA	1
1-3	5		DA66-01035A	CAM-RISER REF MID UPP; FOOD SHOWCASE,NY-6	SA	1
1-4	5		DA61-10502A	STOPPER DOOR-REF LOW; RH6900JC,PO-SPHC,-,	SA	1
1-5	5		DA97-11151D	ASSY FIXER-MOVABLE; HAEMIL,CREAMY STS,MAT	SA	1
1-6	5	G0412	6002-001547	SCREW-TAPPING; FH,+,NO,1,M4,L10,ZPC(WHT),	SA	1
1-7	5	G0412	6002-001547	SCREW-TAPPING; FH,+,NO,1,M4,L10,ZPC(WHT),	SA	1
2	2		DA91-04360B	ASSY DOOR FOAM-OUT; HM12-FSR,EZ CLEAN STE	SA	1
2-1	3	M0196	DA64-04021C	MASCOT; ALL,NI,-,T0.06,L90	SA	1
2-2	5	A0778	DA61-09426A	STOPPER DOOR-REF; FOOD SHOW CASE,PO-SPHC,	SA	1
2-3	5		DA63-07566A	GROMMET HINGE-REF LOW; FOOD SHOWCASE,PA66	SA	1
2-4	5		DA66-01044A	CAM AUTO CLOSE-RIGHT; FOOD SHOWCASE,POM,C	SA	1
2-5	4	G0412	6002-001547	SCREW-TAPPING; FH,+,NO,1,M4,L10,ZPC(WHT),	SA	3
2-6	5	G0412	6002-001547	SCREW-TAPPING; FH,+,NO,1,M4,L10,ZPC(WHT),	SA	1
2-7	5	G0020	6009-001475	SCREW-SPECIAL; FH,+,-,M5,L25(15.5),PASS,S	SA	2
3	2		DA97-13874A	ASSY HANDLE-REF UP; FOOD SHOW CASE,AL	SA	1
3-1	3		DA67-03675A	CAP-HANDLE REF OUT UPP; FOOD SHOW CASE,AB	SA	1
3-2	3		DA63-07634B	GROMMET HANDLE; FOOD SHOW CASE,SI,LIGHT G	SA	1
4	2		DA67-03727A	CAP HANDLE-REF; FOOD SHOW CASE,ABS,MP-016	SA	1
5	2		DA97-13875C	ASSY HANDLE-REF LOW; RH6900JC,AL	SA	1
5-1	3		DA67-03676A	CAP-HANDLE REF OUT LOW; FOOD SHOW CASE,AB	SA	1
6	2		DA97-15574B	ASSY GASKET; HM-FSR,DARK-GRAY	SA	1
7	2		DA97-15575A	ASSY GASKET-REF; HM-FSR,GRAY	SA	1
8	2		DA64-04574A	LOCKER; FOOD SHOWCASE,POM,CREAMY STAINLES	SA	1
9	2		DA67-03677B	CAP HANDLE-SIDE; LATOOR,ABS,HG-0760GP,INO	SA	6
10	2	M0277	DA61-03734A	FIXER-HANDLE; AW-PJT,SWRCH18A,M8,-,GE	SA	2

Exploded Views and Parts List

No.	Lvl.	Loc.	Material Code	Description & Specification	SNA	Qty.
11	2		DA97-13873D	ASSY HANDLE-REAR; FSR CD,INOX GRAY, NO PR	SA	1
11-1	3		DA67-03673C	CAP HANDLE-REF UP; FSR CD,ABS,T2.5,HB,HG-	SA	1
11-2	3		DA67-03674C	CAP HANDLE-REF LOW; FSR CD,ABS,T2.5,HB,HG	SA	1
11-3	3		DA61-09327A	BRACKET HANDLE; FOOD SHOW CASE,POM,NATURA	SA	1
12	2	M0447	DA63-08084A	GUARD-REF UP; RH6900JC,GPPS,T3.0,TP BLUE	SA	3
13	2		DA63-08085A	GUARD-REF MIDDLE; RH6900JC,GPPS,T3.0,TP B	SA	1
14	2	M0369	DA63-08088A	GUARD-REF LOW; RH6900JC,GPPS,T3.0,TP BLUE	SA	1
15	2		DA97-14090A	ASSY COVER LATCH; FOOD SHOW CASE,GRAY	SA	1
15-1	3	G0412	6002-001547	SCREW-TAPPING; FH,+,NO,1,M4,L10,ZPC(WHT),	SA	1