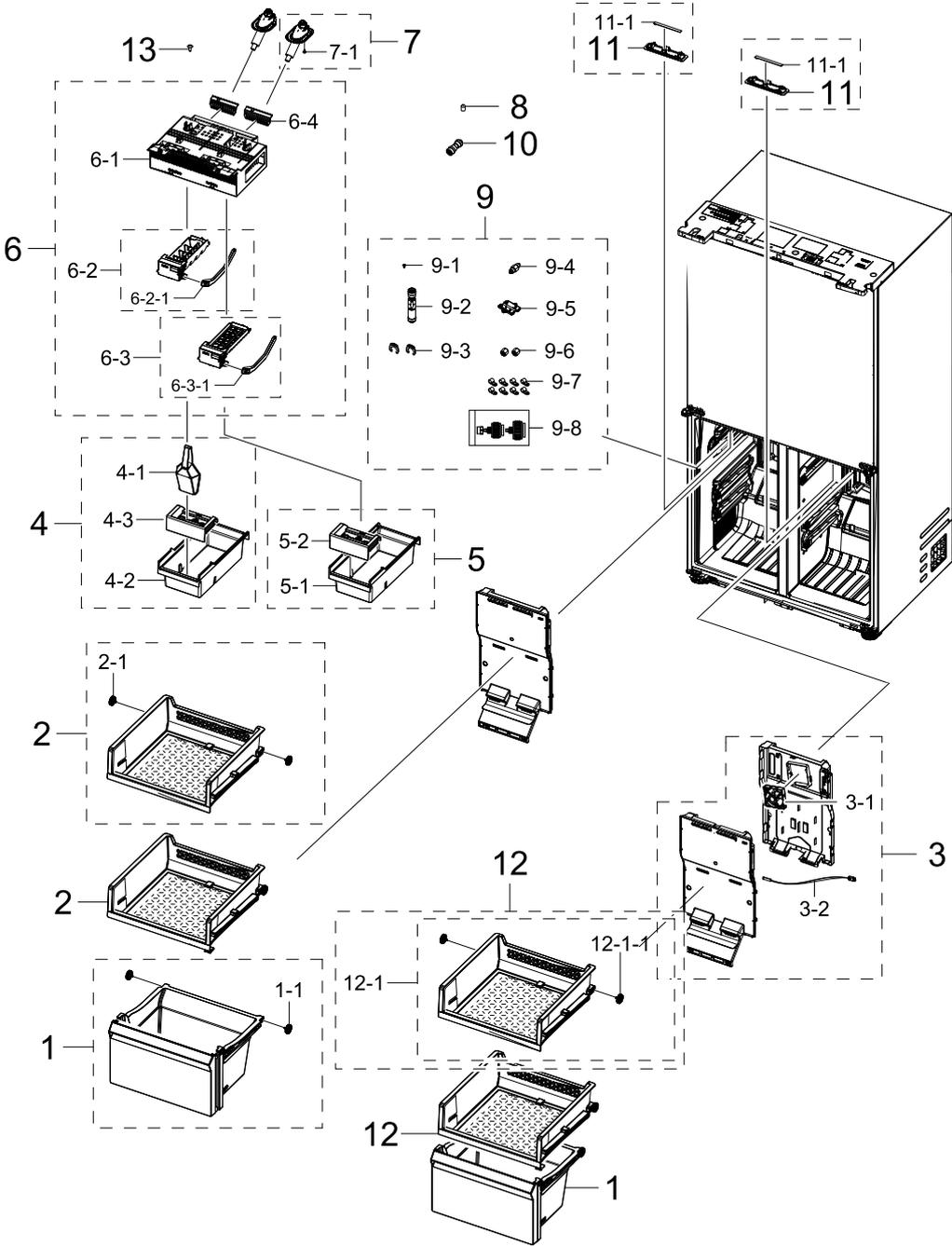


1. FREEZER

FREEZER

Exploded View



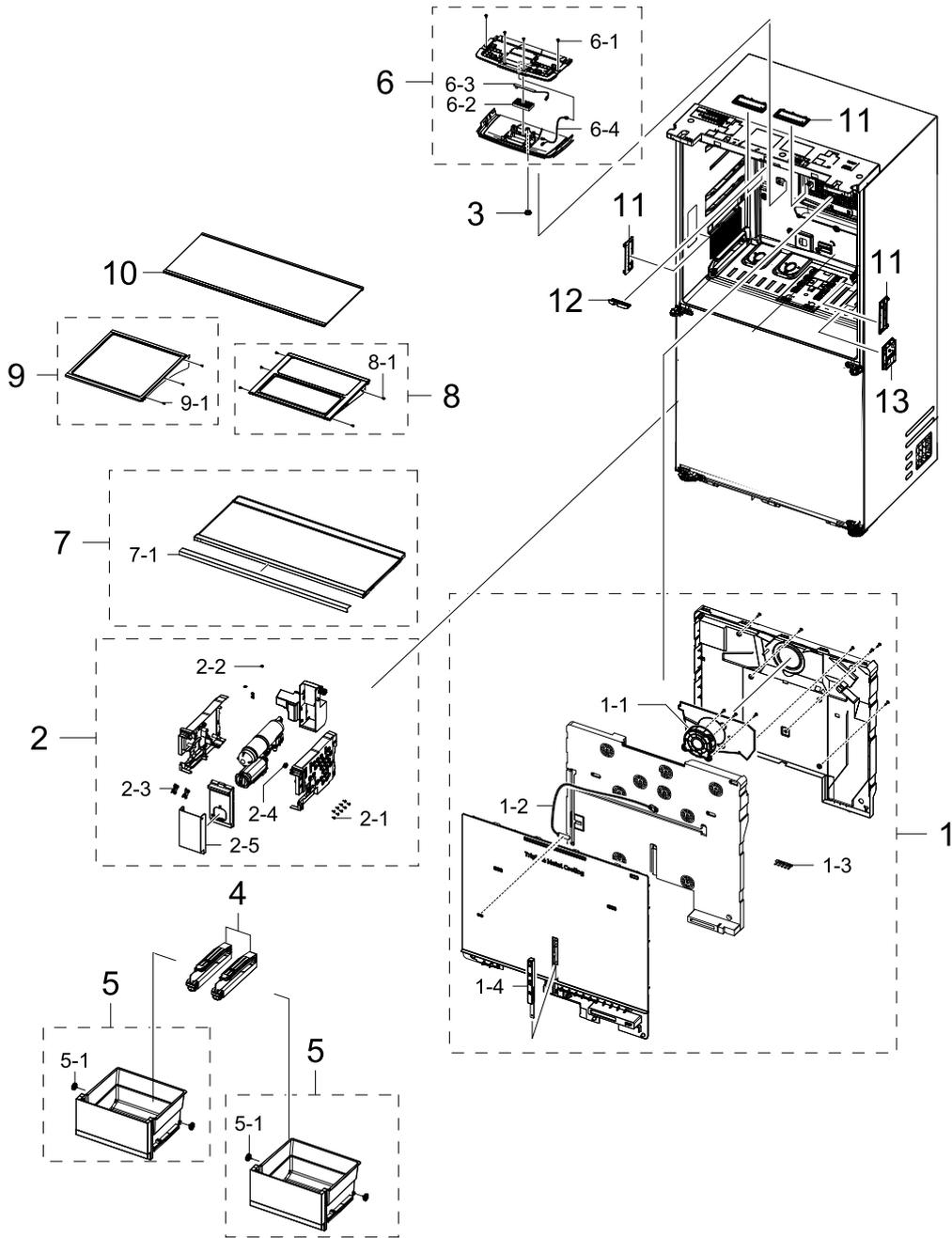
Parts List

No.	Lvl.	Loc.	Material Code	Description & Specification	SNA	Qty.
1	2	A1186	DA97-21875C	ASSY CASE BASKET-LOW; RF9000AC,INDIA	SA	2
1-1	3	A1083	DA97-19988A	ASSY ROLLER; RF9000K,29	SA	4
2	2		DA97-21798B	ASSY SHELF SLIDE-FRE; RF9000AC,VIO VINYL	SA	2
2-1	3	A1083	DA97-19988A	ASSY ROLLER; RF9000K,29	SA	4
3	2	M0303	DA97-23641A	ASSY COVER EVAP-FRE; RF9000,Box Fan	SA	2
3-1	3		DA31-00287A	MOTOR BLDC FAN;3350±7%,12V,0.16A,1.92W,-	SC	2
3-2	3	A1018	DA32-00011C	SENSOR TEMP;QUEEN,-50 ~ 80 °C,5V,R SENSOR	SA	2
4	2		DA97-21793L	ASSY CASE ICE; RF9000DC,610, GLOBAL, SCOO	SNA	1
4-1	3		DA61-14309A	CASE ICE-SCOOP; RF9900T,PCTG,T2,TP GRAY,J	SA	1
4-2	3		DA61-14444A	CASE ICE-CUBE; RF9000AC,GPPS,T2.5,TP GRAY	SA	1
4-3	3		DA63-12133A	COVER ICE-FRE; RF9000D,PCTG,T3.5,-,TP GRA	SA	1
5	2		DA97-21793M	ASSY CASE ICE; RF9000DC,610, GLOBAL, WITH	SNA	1
5-1	3		DA61-14444A	CASE ICE-CUBE; RF9000AC,GPPS,T2.5,TP GRAY	SA	1
5-2	3		DA63-12133A	COVER ICE-FRE; RF9000D,PCTG,T3.5,-,TP GRA	SA	1
6	2	M0247	DA97-21804A	ASSY ICE MAKER-MECH; RF9000A,DUAL	SNA	1
6-1	3		DA61-14435A	SUPPORT ICE MAKER; RF9000A,HIPS,T3,S834S1	SA	1
6-2	3		DA97-22162A	ASSY CASE ICE; RF9000A,SERVICE (CUBE)	SA	1
6-2-1	4		DA61-14661A	GUIDE ICE; RF9000A,PP,BJ750,NATURAL,RF900	SA	1
6-3	3		DA97-22160A	ASSY CASE ICE; RF9000A,SERVICE (NUGGET)	SA	1
6-3-1	4		DA61-14661A	GUIDE ICE; RF9000A,PP,BJ750,NATURAL,RF900	SA	1
6-4	3		DA63-11369B	COVER ICE-FRE; RF9000A,PP,T2.5,-,COOL WHI	SA	2
7	2		DA97-21801C	ASSY PIPE WATER ICE; RF9000A,SEAL 160mm,A	SA	2
7-1	3	G0412	6002-000239	SCREW-TAPPING; SWRCH18A,ZPC(WHT),L8,M4,TH	SA	2
8	2	M0208	DA73-00211A	RUBBER-CAP HOSE; RS8000,Si,-,-,GRAY,-	SA	1
9	2		DA97-11752E	ASSY INSTALL-FILTER; AW2,AW3(GLOBAL),NO W	SC	1
9-1	3	G0412	6002-000213	SCREW-TAPPING; TH,+,1,M4,L12,ZPC(WHT),SWR	SA	9
9-2	3		DA60-00336A	FITTING TUBE; POM,ID1/4	SA	1
9-3	3		DA61-04522A	CLIP-FITTING LOCK; AW,POM,NATURAL,POM	SA	2
9-4	3		DA62-01378B	VALVE-FITTING PU; AT06,C3604,-,-	SA	1
9-5	3		DA63-04744A	COVER-CHECK VALVE; HM,PP,HB,INNER GRAY,CN	SA	1
9-6	3	Z1225	DA74-00070B	VALVE-FITTING NUT; A-TOP,C3604,-,-,-	SA	2
9-7	3	G0589	DA65-20110B	CABLE CLAMP; PA66	SA	8
9-8	3		DA62-01329A	PIPE-CONNECT WATER PACKING; ET-PJT,BRASS,	SA	1
10	2	T0093	DA60-00258B	FITTING TUBE; PP,ID1/4,1/4'- 1/4'	SA	1
11	2		DA63-04921B	COVER LAMP-LED FRONT; CULLINAN,PC,-,V-2,N	SA	2
11-1	4	G0090	DA41-00519R	ASSY LAMP LED; 3ea,CEM-1,65*10*1.6T,WHITE	SA	2
12	2		DA97-23375B	ASSY SHELF-SLIDE FRE SHELF MODULE; RF9000	SNA	2
12-1	3		DA97-21798D	ASSY SHELF SLIDE-FRE; RF7000AC,610,NO VIN	SA	2
12-1-1	4	A1083	DA97-19988A	ASSY ROLLER; RF9000K,29	SA	4
13	2	G0412	6002-000538	SCREW-TAPPING; TH,+,NO,1,M4,L14,ZPC(WHT),	SC	6

2. FRIDGE

FRIDGE

Exploded View



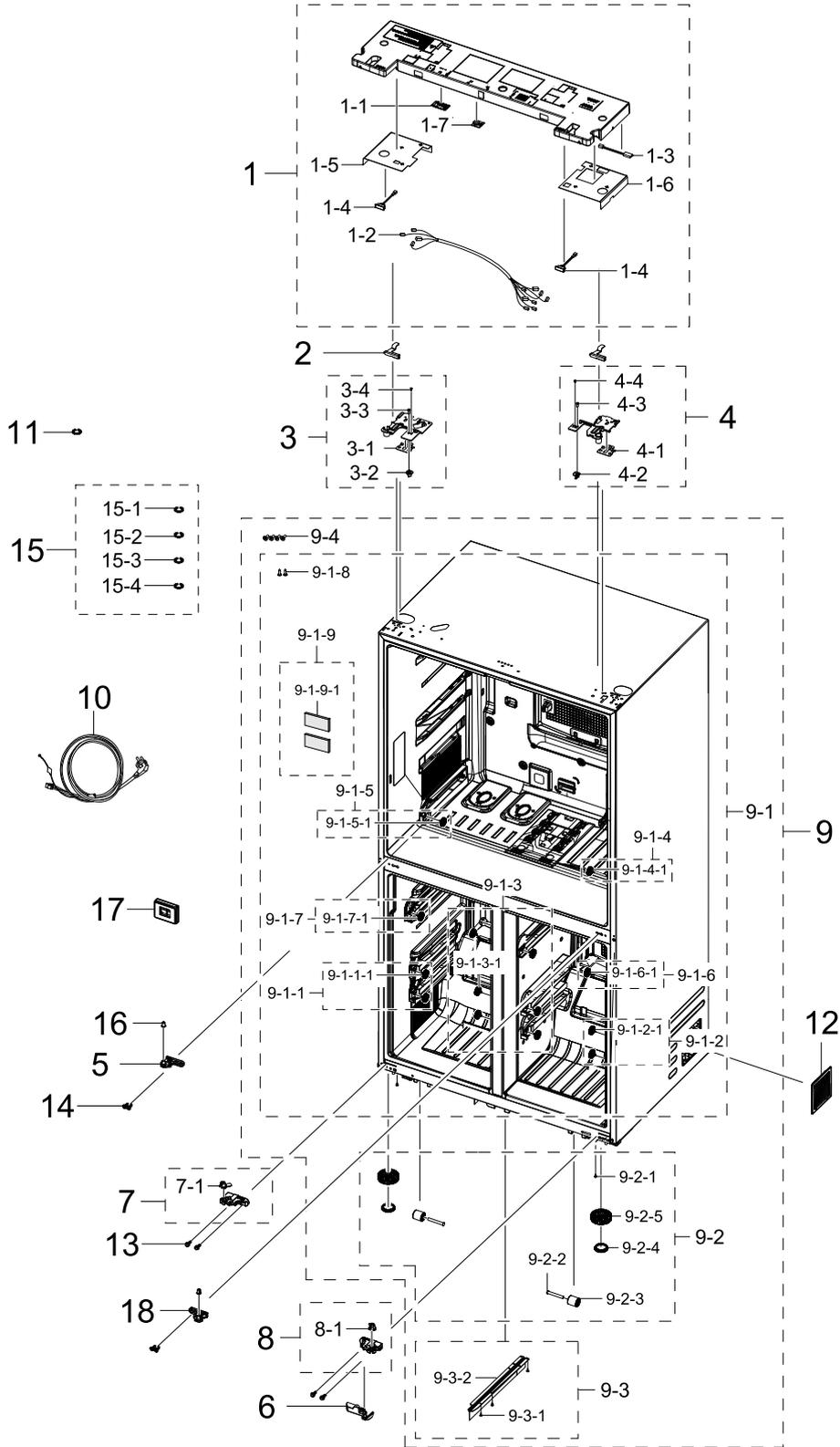
Parts List

No.	Lvl.	Loc.	Material Code	Description & Specification	SNA	Qty.
1	2	Z1177	DA97-21807H	ASSY COVER EVAP-REF; RF9000D,Normal,Metal	SA	1
1-1	3		DA31-00334D	MOTOR BLDC FAN;12035GE-12M-YT,1775±7%,12	SA	1
1-2	3	A1018	DA32-00070E	SENSOR TEMP; SC41198-021A,1100mm,13.2kohm	SA	1
1-3	3		DA61-11034A	FIXER; RT5000K,PA66,-,WHITE,-,KN3322V0,5P	SA	1
1-4	3		DA61-14455A	ANGLE SHELF-REF MIDDLE; GI-SGCC,T2.5,-,-,	SA	1
2	2		DA97-21797G	ASSY CASE FILTER; RF9000AC,220V, NO FLOW	SA	1
2-1	3	G0412	6002-000213	SCREW-TAPPING; TH,+ ,1,M4,L12,ZPC(WHT),SWR	SA	9
2-2	3		DA61-04522A	CLIP-FITTING LOCK; AW,POM,NATURAL,POM	SA	7
2-3	3		DA61-10404A	GUIDE HOSE; PP,HB,BJ750,COOL WHITE,L	SA	2
2-4	3		DA62-02414A	TUBE-FITTING L; POM,-,1/4inch,-,-,1/4-1	SA	2
2-5	3		DA63-11209A	COVER FILTER; RF9000AC,GPPS,T2.5,TP GRAY,	SA	1
3	2	A0270	DA67-30266K	CAP SCREW; A-TOP,PP,T1.5,HB,BJ750,COOL WH	SA	1
4	2		DA97-21876B	ASSY RAIL-MIDDLE LEFT; RF9000AC,Delete Ro	SA	2
5	2	A0217	DA97-21878M	ASSY CASE VEG; RF9000AC,CD, INDIA	SA	2
5-1	3	A1083	DA97-19988A	ASSY ROLLER; RF9000K,29	SA	4
6	2		DA97-23218B	ASSY COVER DEODORIZER; RF9000B,UV,GLOVAL,	SA	1
6-1	3	G0412	6002-000213	SCREW-TAPPING; TH,+ ,1,M4,L12,ZPC(WHT),SWR	SA	2
6-2	3	G0403	DA02-00249A	CATALYST; T10,W35,L70,Ceramic,Biocidal_Y	SA	1
6-3	3		DA96-00392G	ASSY LAMP LED; 2,FR-4,85*10,WHITE,SMH200-	SA	1
6-4	3		DA96-00852E	ASSY WIRE HARNESS-SPI; ALL PJT, WIRE OF D	SA	1
7	2		DA97-21902L	ASSY SHELF VEG-LOW; RF8000BC,White Printi	SA	1
7-1	3		DA64-03784A	TRIM SHELF; ARAM,LDPE,MB9500,-,NATURAL,-	SA	4
8	2		DA97-21895A	ASSY SHELF QUICK SPACE; RF9000AC,LUMINOUS	SA	1
8-1	3	G0412	6002-001397	SCREW-TAPPING; TH,+ ,-,B,M4,L8,ZPC(WHT),SW	SA	5
9	2		DA97-22970A	ASSY SHELF INSERT-REF FIX; RF8000BC,Inser	SA	1
9-1	3	G0412	6002-001397	SCREW-TAPPING; TH,+ ,-,B,M4,L8,ZPC(WHT),SW	SA	3
10	2		DA97-21898A	ASSY SHELF-REF UP; RF9000AC,LUMINOUS TRIM	SA	1
11	2		DA97-16143B	ASSY COVER LAMP; RF8000MC	SA	4
12	2		DA61-15859A	GUIDE FRENCH; RF9000C,PC+ABS,T2,-,HR-1008	SA	1
13	2	A0626	DA97-24205D	ASSY COVER CONTROL; RF9000_STD,ENG	SA	1

3. CABINET

CABINET

Exploded View



Parts List

No.	Lvl.	Loc.	Material Code	Description & Specification	SNA	Qty.
1	2	A1288	DA97-24811E	ASSY TOP TABLE; RF9000D,ABS,INOX GRAY,NO	SA	1
1-1	3		4709-003141	W-LAN MODULE; CCAR210R,SDA8700CSM,IEEE802	SA	1
1-2	3		DA96-01639A	ASSY WIRE HARNESS-TOP; RF9000D,BASIC,T,FR	SA	1
1-3	3	A1108	DA32-00088A	SENSOR HUMIDITY; 5V,0~100%RH,4.5%,100mm,4	SA	1
1-4	3		DA34-00043L	SWITCH REED; UL1007 AWG 22,L100	SA	2
1-5	3		DA61-16184A	PLATE COVER; RF9000JC,GL-SGLCC,T0.25,-,-,	SA	1
1-6	3		DA61-16185A	PLATE COVER; RF9000JC,GL-SGLCC,T0.25,-,-,	SA	1
1-7	3		DA92-00817A	ASSY MODULE; BUZZER PBA,RB6000K,Standard	SA	1
2	2		DA61-04932B	FIXER-HINGE; RS76,RS78,PO-SPHC,T3,-,-,-,Z	SA	2
3	2		DA97-19972A	ASSY HINGE-UP LEFT; RF9000R,T3,BLACK	SA	1
3-1	3		DA63-50192A	SHIM HINGE-UP; -,PVC,T1,NATURAL,-,-,LS130	SA	1
3-2	3		DA66-00950B	CAM AUTO CLOSE-LEFT; RF9000A,POM,-,BLACK,	SA	1
3-3	3	G0412	6002-001547	SCREW-TAPPING; SWRCH18A,ZPC(WHT),L10,M4,F	SA	1
3-4	3	G0412	6002-000581	SCREW-TAPPING; SWRCH18A,ZPC(WHT),L16,M4,F	SA	1
4	2		DA97-19973A	ASSY HINGE-UP RIGHT; RF9000R,T3,BLACK	SA	1
4-1	3		DA63-50192A	SHIM HINGE-UP; -,PVC,T1,NATURAL,-,-,LS130	SA	1
4-2	3		DA66-00951B	CAM AUTO CLOSE-RIGHT; RF9000A,POM,-,BLACK	SA	1
4-3	3	G0412	6002-001547	SCREW-TAPPING; SWRCH18A,ZPC(WHT),L10,M4,F	SA	1
4-4	3	G0412	6002-000581	SCREW-TAPPING; SWRCH18A,ZPC(WHT),L16,M4,F	SA	1
5	2		DA61-13376A	HINGE-MIDDLE LEFT; RF9000R,Zn,T8,-,-,-,-,	SA	1
6	2		DA63-09539C	COVER WIRE; RF9000A,PP,T2,HB,EBONY BLACK,	SA	1
7	2		DA97-23110A	ASSY HINGE-LOW LEFT; RF9000B,BLACK,AUTO C	SA	1
7-1	3		DA63-09856A	GROMMET HINGE-LOW; RF9900T,POM,BLACK,-,K3	SA	1
8	2		DA97-23111A	ASSY HINGE-LOW RIGHT; RF9000B,BLACK,AUTO	SA	1
8-1	3		DA63-09857A	GROMMET HINGE-LOW; RF9900T,POM,BLACK,-,K3	SA	1
9	1	A0037	DA90-14692G	ASSY CABINET FORM; RF9000D,CD,SILVER,SIDE	SNA	1
9-1	2	A0137	DA94-09095B	ASSY LINER; RF9000D,CD,L-BSC,DUAL I/M,SPI	SNA	1
9-1-1	3		DA97-15419A	ASSY RAIL-LEFT; RF9000JC	SNA	2
9-1-1-1	4	A1083	DA97-19988A	ASSY ROLLER; RF9000K,29	SA	2
9-1-2	3		DA97-15420A	ASSY RAIL-RIGHT; RF9000JC	SNA	2
9-1-2-1	4	A1083	DA97-19988A	ASSY ROLLER; RF9000K,29	SA	2
9-1-3	3	A1254	DA97-21953C	ASSY PARTITION-FRE V; RF9000AC,DEPTH 610,	SNA	1
9-1-3-1	4	A1083	DA97-19988A	ASSY ROLLER; RF9000K,29	SA	6
9-1-4	3		DA97-21970A	ASSY RAIL-REF LOW RIGHT; RF9000AC	SNA	1
9-1-4-1	4	A1083	DA97-19988A	ASSY ROLLER; RF9000K,29	SA	1
9-1-5	3		DA97-21971A	ASSY RAIL-REF LOW LEFT; RF9000AC	SNA	1
9-1-5-1	4	A1083	DA97-19988A	ASSY ROLLER; RF9000K,29	SA	1
9-1-6	3		DA97-21972A	ASSY RAIL-FRE UP RIGHT; RF9000AC	SNA	1
9-1-6-1	4	A1083	DA97-19988A	ASSY ROLLER; RF9000K,29	SA	1

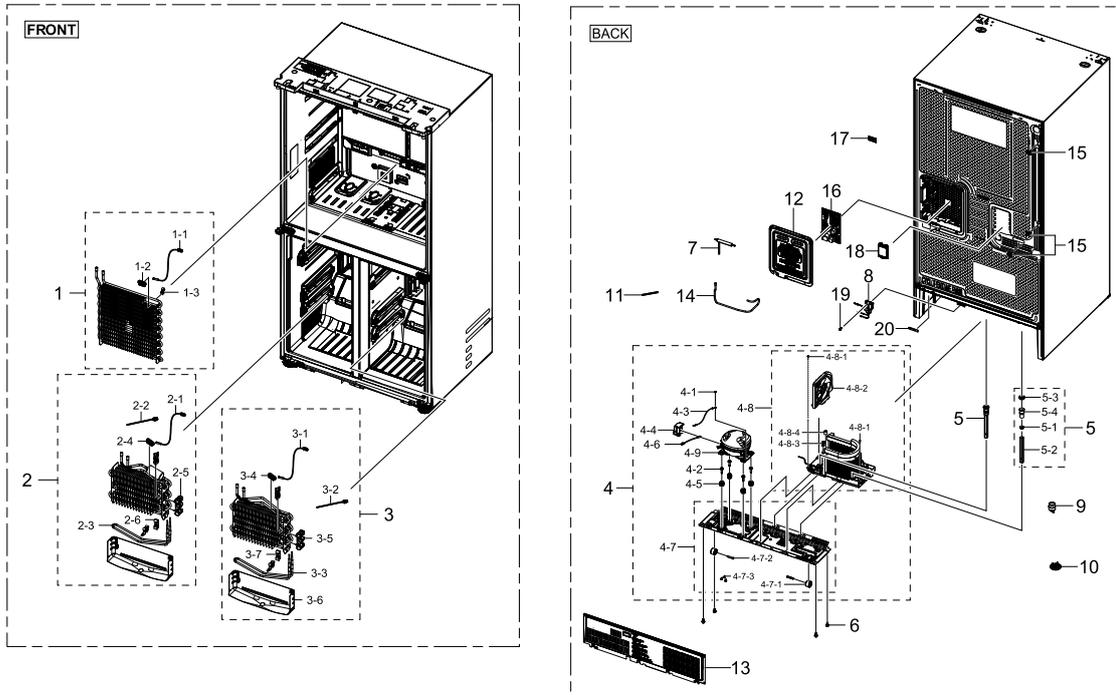
Exploded Views and Parts List

No.	Lvl.	Loc.	Material Code	Description & Specification	SNA	Qty.
9-1-7	3		DA97-21973A	ASSY RAIL-FRE UP LEFT; RF9000AC	SNA	1
9-1-7-1	4	A1083	DA97-19988A	ASSY ROLLER; RF9000K,29	SA	1
9-1-8	3	G0412	6002-000215	SCREW-TAPPING; TH,+,1,M4,L16,ZPC(WHT),SWR	SA	2
9-1-9	3		DA97-23184H	ASSY PIPE SUCTION; RF9000C,AL SUCTION, Ki	SNA	1
9-1-9-1	4		DA72-60040C	SEAL CUTT-RUBBER; RF6000T,RUBBER,T4,W45,L	SA	2
9-2	2		DA97-15376X	ASSY CABI-BOTTOM FRONT; RF9000R,EXPORT, U	SNA	1
9-2-1	3	G0412	6002-000213	SCREW-TAPPING; TH,+,1,M4,L12,ZPC(WHT),SWR	SA	2
9-2-2	3	M0146	DA61-01920A	FIXER-CASTER; ZPC2,SWRCH10A,-,-,-,OD8.0	SA	2
9-2-3	3	M0145	DA61-04702A	CASTER-FRONT; AW-PJT,PP,BLACK	SA	2
9-2-4	3		DA63-06285A	COVER-FOOT; SUPER STAR,RT7000K,PP,T2.5,-,	SA	2
9-2-5	3	A0577	DA61-15096A	FOOT-FRONT; RF9000AC,PP,BLACK,-,-,SSPP-64	SA	2
9-3	2		DA97-22003D	ASSY CABI FRAME-BOTTOM; RF7000AC,RIGHT ON	SNA	1
9-3-1	3	G0412	6002-000213	SCREW-TAPPING; TH,+,1,M4,L12,ZPC(WHT),SWR	SA	5
9-3-2	3		DA64-05373D	TRIM BLADE; RF9000A,PVC,SHGS-L130-67-01G,	SA	1
9-4	2	G0412	6002-001122	SCREW-TAPPING; FH,+,1,M4,L14,ZPC(WHT),SWR	SC	4
10	2	A0273	3903-001011	POWER CORD-AT; H05VV-F 3x0.75mm2,BLK,EU3F	SA	1
11	2		DA60-00314B	FASTENER-HINGE; ROMANEE CONTI,PP+(GF+KD)3	SA	1
12	2		DA63-07680A	COVER UNIT; AW3-14,PP,HB,INOX GRAY,49MK45	SA	1
13	2	A0564	DA60-10123E	BOLT-HEX; M6,L19,ZPC(WHT),SWRCH18A,HH Hea	SA	4
14	2	M0210	6003-001727	BOLT-ETC; M6,L20,ZPC(WHT),SWRCH18A,FH Hea	SA	4
15	3		DA99-04158A	ASSY INSTALL-STEP KIT; T/FDR,INDIA PRINT,	SA	1
15-1	4		DA60-00314A	FASTENER-HINGE; ROMANEE CONTI,PP+(GF+KD)3	SA	1
15-2	4		DA60-00314B	FASTENER-HINGE; ROMANEE CONTI,PP+(GF+KD)3	SA	1
15-3	4		DA60-00314C	FASTENER-HINGE; ROMANEE CONTI,PP+(GF+KD)3	SC	1
15-4	4		DA60-00314D	FASTENER-HINGE; ROMANEE CONTI,PP+(GF+KD)3	SA	1
16	2		DA63-06410A	GROMMET HINGE-MID; AW3,POM,BLACK,-,100P	SA	2
17	2	E0010	DA97-00713C	ASSY-THERMO GUIDE; XEF,THERMO,COOL WHITE	SA	1
18	2		DA61-13377A	HINGE-MIDDLE RIGHT; RF9000R,Zn,T8,-,-,-,-	SA	1

4. CYCLE

CYCLE

Exploded View



Parts List

No.	Lvl.	Loc.	Material Code	Description & Specification	SNA	Qty.
1	2		DA96-01519B	ASSY EVAP-REF EVAP MODULE; RF9000B,FIN TU	SA	1
1-1	3	A1018	DA32-10104W	SENSOR TEMP; DOUBLE_INSULATION, TPA,L200,	SA	1
1-2	3		DA61-03683A	FIXER-SENSER; AW-PJT,PP,NATURAL,FH44N,V-0	SA	1
1-3	3		DA61-06013B	FIXER WIRE; AW3-PJT,PP,T2,NATURAL,-,BJ750	SA	1
2	2		DA96-01515E	ASSY EVAP-FRE EVAP MODULE; RF9000B,Fin Tu	SA	1
2-1	3	A1018	DA32-10104V	SENSOR TEMP; DKST1329GW,DOUBLE_INSULATION	SA	1
2-2	3	A1008	DA47-00301D	THERMO FUSE-ASSY; AC250V,10A,109~110,S	SA	1
2-3	3		DA47-00318U	HEATER METAL SHEATH; AC230V,T, 437.2ohm,1	SA	1
2-4	3		DA61-03683A	FIXER-SENSER; AW-PJT,PP,NATURAL,FH44N,V-0	SA	1
2-5	3	G0522	DA61-06700A	FIXER-HEATER WIRE REF; HM/GGH/HAEMIL,PP,T	SA	2
2-6	3		DA61-13585A	FIXER-BIMETAL; RF9000R,PP,T1.5,NATURAL,-,	SA	1
3	2		DA96-01520E	ASSY EVAP-CONV EVAP MODULE; RF9000B,Fin T	SA	1
3-1	3	A1018	DA32-10104V	SENSOR TEMP; DKST1329GW,DOUBLE_INSULATION	SA	1
3-2	3	A1008	DA47-00301D	THERMO FUSE-ASSY; AC250V,10A,109~110,S	SA	1
3-3	3		DA47-00318U	HEATER METAL SHEATH; AC230V,T, 437.2ohm,1	SA	1
3-4	3		DA61-03683A	FIXER-SENSER; AW-PJT,PP,NATURAL,FH44N,V-0	SA	1

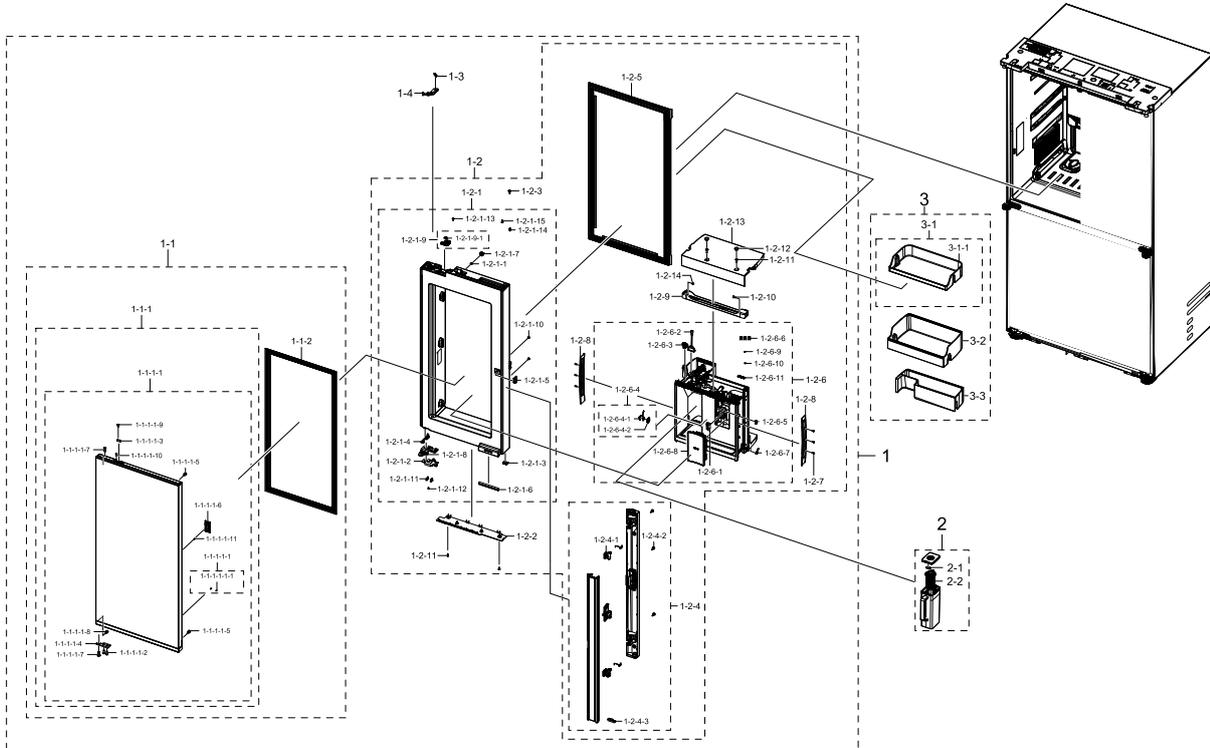
Exploded Views and Parts List

No.	Lvl.	Loc.	Material Code	Description & Specification	SNA	Qty.
3-5	3	G0522	DA61-06700A	FIXER-HEATER WIRE REF; HM/GGH/HAEMIL,PP,T	SA	2
3-6	3		DA61-08675A	PLATE-DRAIN EVAP FRE; ROMANEE CONTI,A1,T0	SA	1
3-7	3		DA61-13585A	FIXER-BIMETAL; RF9000R,PP,T1.5,NATURAL,-,	SA	2
4	2		DA97-22349M	ASSY COMP N CONDENSING-COND MODULE; RF900	SNA	1
4-1	3	G0412	6006-001170	SCREW-TAPPING; TH,+,WT,2,M4,L10,ZPC(WHT),	SA	1
4-2	3	A0564	6011-007289	BOLT-HEX; M6,L43.6,ZPC(SILVER),HH,SOCKET,	SA	4
4-3	3	A0562	DA39-20389L	ASSY WIRE HARNESS-EARTH; EARTH,ALL,FREE V	SC	1
4-4	3	Z1032	DA63-06122A	COVER RELAY; MSV,MPPE,T2,BLACK,N300X,V-0	SA	1
4-5	3	Z1112	DA63-09336B	GROMMET COMP; REF,IIR,BLACK,-,-,L21.3, OD	SA	4
4-6	3		DA96-01170A	ASSY WIRE HARNESS-COMP; ALL,ALL,FREE VOLT	SA	1
4-7	3	A0526	DA97-12557T	ASSY CHASSIS COMP; RF9000C,GI-SGCC,T1.4,W	SA	1
4-7-1	4	A0527	DA61-04703A	CASTER-REAR; AW-PJT,PP,BLACK,M/B(0103-002	SA	2
4-7-2	4	M0212	DA66-00649B	SHAFT-CASTER; POLARIS,MSWR10,L44,OD11,-,-	SA	2
4-7-3	4	G0412	6002-000470	SCREW-TAPPING; TH,+,NO,1,M4,L10,ZPC(WHT),	SA	3
4-8	3	A0529	DA97-15978N	ASSY TRAY DRAIN WATER; RF9000C,T2,Gear Bo	SA	1
4-8-1	4	G0412	6002-000213	SCREW-TAPPING; TH,+,1,M4,L12,ZPC(WHT),SWR	SA	2
4-8-2	4	M0116	DA97-20025A	ASSY SUPPORT-CIRCUIT MOTOR; NW2-FDR,C160N	SA	1
4-8-3	4		DA63-07323A	GROMMET-IMMERSION PIPE B; ROMANEE CONTI,N	SA	1
4-8-4	4	M0333	DA63-40171B	GROMMET-SUCT PIPE A; NBR,-,-,-,ID4,OD20	SC	1
4-9	3		NO14C9151AKD01	CMP,COMP,REFRIGERATOR,R600A; CMP,COMP,REFRIGERATOR,R600A	SA	1
5	2	M0067	DA97-04049E	ASSY CAP-DRAIN; AW3	SA	2
5-1	3	A0336	DA61-05021A	FIXER-DRAIN; HAEMIL,PP,T0.6,CARMEN WINE,B	SA	2
5-2	3	A1101	DA62-01266B	TUBE PVC; AW3,PVC,-,OD19.4,L155,-,P-1000,	SA	2
5-3	3		DA63-02761A	GROMMET-DRAIN; RS18RK,NBR,BLACK,-	SA	2
5-4	3	A0492	DA67-01301A	CAP-DRAIN; AW4,HIPS,HB,576H,NATURAL	SA	2
6	2	A0564	6011-001656	BOLT-HEX; M6,L16,ZPC(WHT),HH,SWRCH22A,MAC	SA	4
7	2	A0669	DA62-04309A	DRYER; C1220T-H,L137,SINGLE MOUTH,OD15.8,	SA	1
8	2		DA62-04617D	VALVE STEP; DC12V,MODULE,3WAY,LEFT/LEFT b	SA	1
9	2	G0202	DA63-00951C	GROMMET-DRAIN HOSE; V2-PJT,NBR,BLACK,-	SA	1
10	2	M0158	DA63-03809A	COVER-URETHANE; AW-PJT,ABS,BLACK,VE-0858,	SA	1
11	2	A0523	DA73-10190U	PIPE-CONNECT DISC,B; ALL,C1220T,Cu,OD6.35	SA	1
12	2		DA97-22520A	ASSY COVER PCB-MAIN; AW,NO F-Hub, TIM	SA	1
13	2	M0076	DA97-24085C	ASSY COVER COMP; RF9000C,GL-SGLCC,T0.25,S	SA	1
14	2	M0016	DA62-03691A	PIPE CONNECT-SUCTION; RF9000, AW,Cu,OD6.3	SA	1
15	2		DA61-12488B	FIXER COVER; AW3,HIPS,INNER GRAY,CNTK H30	SA	3
16	1		DA94-09323Q	ASSY PCB EEPROM; 0x32,RF9000D,DA92-01763B	SA	1
17	1		DA92-00945D	ASSY MODULE; PBA-FUSE BLOCK,BRZ9000M,30*5	SA	1
18	2	M0244	DA97-08413B	ASSY COVER-TUBE FILTER; AW4,ASSY	SA	1
19	2		DK61-00464A	FIXER-STEP MOTOR; RUBY,SWRCH18A	SA	1
20	3		DA61-05923A	REINF-EARTH; -,HGI-SGHC,T3,-,-,-	SA	1

5. DOOR REF LEFT

DOOR REF LEFT

Exploded View



Parts List

No.	Lvl.	Loc.	Material Code	Description & Specification	SNA	Qty.
1	2		DA93-01565C	ASSY DOOR SUB-REF LEFT; RF9000D,SR,FDSR,2	SNA	1
1-1	3		DA93-00929F	ASSY DOOR SUB-REF OUT LEFT; RF9000A,SR,GL	SNA	1
1-1-1	4		DA91-06513T	ASSY DOOR FOAM-REF OUT LEFT; RF9000A,SR,G	SA	1
1-1-1-1	5		DA97-22066F	ASSY PLATE DOOR-REF OUT LEFT; RF9000A,SR,	SNA	1
1-1-1-1-1	6		DA97-22967A	ASSY LEVER HANDLE; RF9000A,LEFT	SNA	1
1-1-1-1-1-1	7	G0412	6002-001547	SCREW-TAPPING; SWRCH18A,ZPC(WHT),L10,M4,F	SA	2
1-1-1-1-2	6	A0848	6001-000570	SCREW-MACHINE; FH,+,M5,L16,ZPC(WHT),SWRCH	SA	2
1-1-1-1-3	6	A0534	DA61-03769A	MAGNET-A; HERMES,FERRITE,T5,-,-,1600Gau	SA	1
1-1-1-1-4	6		DA61-13384A	STOPPER DOOR-REF LOW; RF9000R,PO-SPHC,T4,	SA	1
1-1-1-1-5	6		DA63-02750B	GROMMET-COVER SLIDE; QUEEN09,Si,BLACK,-,-	SA	2
1-1-1-1-6	6		DA63-09537A	COVER LOCK; RF9000R,ABS,T2.5,INOX GRAY,AB	SA	1
1-1-1-1-7	6		DA63-07545B	GROMMET HINGE-MIDDLE; FDSR,PA66+GF15%,BLA	SA	2
1-1-1-1-8	6		DA63-09942A	GROMMET DOOR; RF9000T,Si,BLACK,-,-,W11.4,	SA	1

No.	Lvl.	Loc.	Material Code	Description & Specification	SNA	Qty.
1-1-1-1-9	6		DA67-02795C	CAP-SHAFT HOLE; AW3,ABS,HG-0760GP,SNOW WH	SA	2
1-1-1-1-10	6	G0412	6002-000215	SCREW-TAPPING; TH,+,1,M4,L16,ZPC(WHT),SWR	SA	1
1-1-1-1-11	6	G0412	6002-001547	SCREW-TAPPING; SWRCH18A,ZPC(WHT),L10,M4,F	SA	1
1-1-2	4		DA97-20057A	ASSY GASKET; RF9000R,DARK GRAY	SA	1
1-2	3		DA93-01617A	ASSY DOOR SUB-REF IN LEFT DOOR MODULE; RF	SNA	1
1-2-1	4		DA91-06525A	ASSY DOOR FOAM-REF IN LEFT; RF9000D,GRAY,	SA	1
1-2-1-1	5	A0837	6021-000258	NUT-HEXAGON; STS304,ZPC(YEL),3C,M5	SA	1
1-2-1-2	5		DA61-14211B	STOPPER DOOR-LEFT; RF9000T/RF9900T,PO-SPH	SA	1
1-2-1-3	5		DA63-09933A	GROMMET-CAP DOOR; RF9900T,Si,BLACK,-,-,T5	SA	1
1-2-1-4	5		DA63-11272A	COVER DOOR-LEFT; RF9000A,ABS,T3,EBONY BLA	SA	1
1-2-1-5	5		DA66-01342A	LEVER; RF9000R,POM,W30,L50,SO301,CREAMY S	SA	1
1-2-1-6	5		DA64-05987A	TRIM HANDLE; RF9000R,ABS,HI121H,COOL WHIT	SA	1
1-2-1-7	5		DA97-20572C	ASSY FIXER-UP; RF9000R(B),CREAMY STAINLES	SA	1
1-2-1-8	5		DA97-21336A	ASSY HINGE-LOW LEFT; T4,OUT	SA	1
1-2-1-9	5	M9017	DA97-12625A	ASSY LEVER-AUTO CLOSE; AW4,POM,BLACK	SA	1
1-2-1-9-1	6		DA66-00440A	ROLLER-AUTO CLOSE; AW-PJT,PA6+MD40%,BLACK	SA	1
1-2-1-10	5	G0412	6002-000239	SCREW-TAPPING; SWRCH18A,ZPC(WHT),L8,M4,TH	SA	3
1-2-1-11	5	G0020	6009-001475	SCREW-SPECIAL; FH,+,M5,L25(15.5),ZPC(WHT)	SA	4
1-2-1-12	5	G0412	6002-001547	SCREW-TAPPING; SWRCH18A,ZPC(WHT),L10,M4,F	SA	1
1-2-1-13	5	G0412	6002-001122	SCREW-TAPPING; FH,+,1,M4,L14,ZPC(WHT),SWR	SC	3
1-2-1-14	5	G0412	6002-000613	SCREW-TAPPING; TH,+, -,2,M5,L16,ZPC(WHT),S	SA	1
1-2-1-15	5	A0848	6001-000716	SCREW-MACHINE; TH,+, -,M5,L16,ZPC(WHT),MSW	SA	1
1-2-2	4		DA63-09958A	COVER CAP DOOR; RF900T,ABS,T2,DARK GRAY,R	SA	1
1-2-3	4	G0412	6002-001406	SCREW-TAPPING; SWRCH18A,ZPC(WHT),L12,M4,T	SA	2
1-2-4	4		DA97-22990A	ASSY FRENCH; RF9000A,COOL WHITE, 230V, AD	SA	1
1-2-4-1	5	M0190	DA61-08305A	HINGE FRENCH; AW4,PC,T2,COOL WHITE,HF-102	SA	2
1-2-4-2	5	G0531	DA63-02750A	GROMMET-COVER SLIDE; ET05-PJT,Si,WHITE,-,	SA	3
1-2-4-3	5		DA63-11581A	GASKET FRENCH-LOW; RF9000A,Si,-,T0.8,-,-,	SA	1
1-2-5	4		DA97-23368A	ASSY GASKET-REF; RF9000B	SA	1
1-2-6	4		DA97-17399U	ASSY CASE INNER; RF7000AC,BSC LED 1EA	SA	1
1-2-6-1	5	A0842	3405-001117	SWITCH-MICRO; 125/250VAC,1A,80gf,SPST-NO	SA	1
1-2-6-2	5		DA34-00043M	SWITCH REED; UL1007 AWG 22,L100	SA	1
1-2-6-3	5		DA60-00403A	FITTING TUBE; POM,ID1/4,NATURAL,F20-03,OD	SA	1
1-2-6-4	5		DA97-22004A	ASSY LED LAMP; RF9000A,Beverage Show Case	SA	1
1-2-6-4-1	6		DA61-07581A	CASE LAMP-LED; POLARIS,GPPS,20.4,20.4,TP	SA	1
1-2-6-4-2	6		DA63-06505A	COVER LAMP-LED; POLARIS,MABS,HB,NATURAL,T	SA	1
1-2-6-5	5	G0407	DA61-13987A	CASE DISPENSER; RS5000T,STS304,T0.5,-,-,-	SA	1

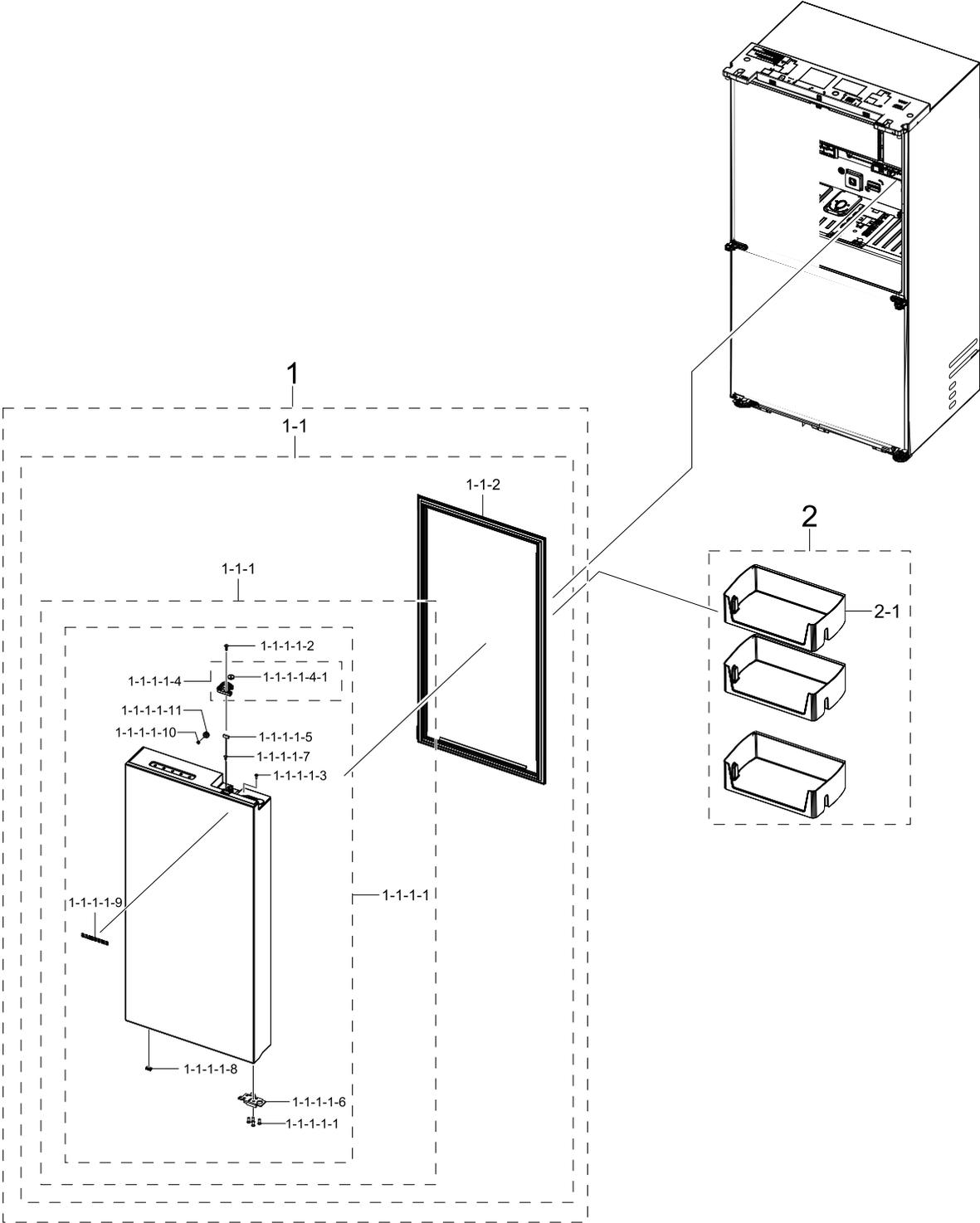
Exploded Views and Parts List

No.	Lvl.	Loc.	Material Code	Description & Specification	SNA	Qty.
1-2-6-6	5		DA61-15114A	CLIP; RF6000T,POM,T2,NATURAL,-,F20-03,LOC	SA	3
1-2-6-7	5		DA67-04504D	CAP FIXER-TUBE; RR9000A,Si,T3,DARK GRAY	SA	1
1-2-6-8	5		DA97-17297F	ASSY LEVER DISPENSER; RF9000A,NO PRINT, U	SA	1
1-2-6-9	5	G0412	6002-000217	SCREW-TAPPING; SWRCH18A,ZPC(WHT),L8,M4,TH	SA	1
1-2-6-10	5	G0412	6002-001547	SCREW-TAPPING; SWRCH18A,ZPC(WHT),L10,M4,F	SA	4
1-2-6-11	5		DA61-11032A	FIXER; RT5000K,PA66,WHITE,KN3322V0,7P Ret	SA	1
1-2-7	4	G0412	6002-001547	SCREW-TAPPING; SWRCH18A,ZPC(WHT),L10,M4,F	SA	6
1-2-8	4		DA61-14660A	REINF-REF; RF9000A,GI-SGCC,T1.6,BSC	SA	2
1-2-9	4		DA61-14659A	REINF-REF; RF7000AC,GI-SGCC,T2,-,-,-,BSC,	SA	1
1-2-10	4	G0412	6002-000244	SCREW-TAPPING; TH,+B,M5,L16,ZPC,SWRCH18A	SA	1
1-2-11	4	G0412	6002-000215	SCREW-TAPPING; TH,+1,M4,L16,ZPC(WHT),SWR	SA	9
1-2-12	4		DA67-30266Q	CAP SCREW; RF9000A,PP,T1.5,-,BJ750,NEO VI	SA	2
1-2-13	4		DA97-21788A	ASSY COVER BASKET; RF9000A,BSC Display	SA	1
1-2-14	4	A0848	6001-000716	SCREW-MACHINE; TH,+,-,M5,L16,ZPC(WHT),MSW	SA	1
1-3	3	A0848	6001-000570	SCREW-MACHINE; FH,+M5,L16,ZPC(WHT),SWRCH	SA	2
1-4	3		DA97-20039C	ASSY HINGE-UP LEFT; RF9000A,T4,OUT, Remov	SA	1
2	2		DA97-21261H	ASSY CASE WATER FILTER; RF9000A,INDIA	SA	1
2-1	3	M0485	DA61-02738A	ASSY MAGNET; CORE-PJT,FERRITE,-,-	SA	1
2-2	3	A1259	DA61-15091A	CASE FILTER; RF9000A,GPPS,T2.5,TP GRAY,G-	SA	1
3	2		DA97-23411A	ASSY GUARD PACKING-DOOR BIN MODULE; RF900	SNA	1
3-1	3		DA97-15186E	ASSY GUARD-REF UP; RF9000N,TP GRAY	SA	1
3-1-1	4	M0447	DA63-07966E	GUARD-REF UP; RF9000N,GPPS,TP GRAY	SA	1
3-2	3		DA97-21960A	ASSY GUARD-REF MIDDLE; RF9000A,SAN,T3,TP	SA	1
3-3	3	G0400	DA97-21914A	ASSY GUARD-REF LOW; RF9000A,TP GRAY,BSC S	SA	1

6. DOOR REF RIGHT

DOOR REF RIGHT

Exploded View



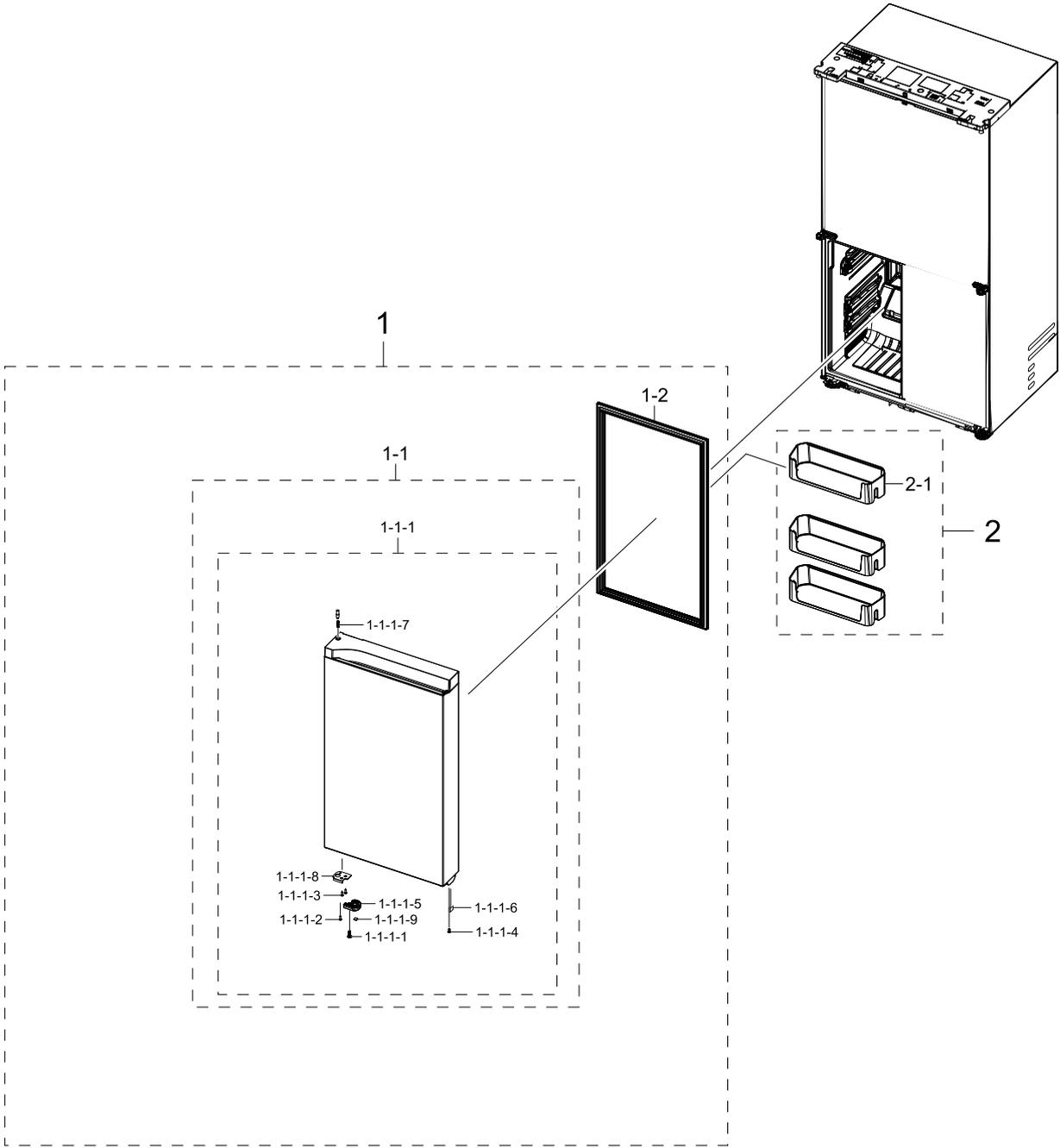
Parts List

No.	Lvl.	Loc.	Material Code	Description & Specification	SNA	Qty.
1	2		DA93-00996F	ASSY DOOR SUB-REF RIGHT; RF9000A,SR,-,-,-	SNA	1
1-1	3		DA93-00931E	ASSY DOOR SUB-REF RIGHT DOOR MODULE; RF90	SNA	1
1-1-1	4		DA91-05484E	ASSY DOOR FOAM-REF RIGHT; RF9000A,SR,GLOB	SA	1
1-1-1-1	5		DA97-22064E	ASSY PLATE DOOR-REF RIGHT; RF9000A,SR,GLO	SNA	1
1-1-1-1-1	6	G0020	6009-001475	SCREW-SPECIAL; FH,+,-,M5,L25(15.5),ZPC(WHT)	SA	4
1-1-1-1-2	6	G0412	6002-000613	SCREW-TAPPING; TH,+,-,2,M5,L16,ZPC(WHT),S	SA	1
1-1-1-1-3	6	G0412	6002-001122	SCREW-TAPPING; FH,+,-,1,M4,L14,ZPC(WHT),SWR	SC	1
1-1-1-1-4	6	M9017	DA97-12625A	ASSY LEVER-AUTO CLOSE; AW4,POM,BLACK	SA	1
1-1-1-1-4-1	7		DA66-00440A	ROLLER-AUTO CLOSE; AW-PJT,PA6+MD40%,BLACK	SA	1
1-1-1-1-5	6	A0534	DA61-03769A	MAGNET-A; HERMES,FERRITE,T5,-,-,-,1600Gau	SA	1
1-1-1-1-6	6		DA61-14210B	STOPPER DOOR-RIGHT; RF9000T/RF9900T,PO-SP	SA	1
1-1-1-1-7	6		DA67-02795C	CAP-SHAFT HOLE; AW3,ABS,HG-0760GP,SNOW WH	SA	1
1-1-1-1-8	6		DA63-09933A	GROMMET-CAP DOOR; RF9900T,Si,BLACK,-,-,T5	SA	1
1-1-1-1-9	6	M0196	DA64-04020C	MASCOT; ALL,Ni,-,-,T0.06,L80	SA	1
1-1-1-1-10	6	A0837	6021-000258	NUT-HEXAGON; STS304,ZPC(YEL),3C,M5	SA	1
1-1-1-1-11	6		DA97-20572C	ASSY FIXER-UP; RF9000R(B),CREAMY STAINLES	SA	1
1-1-2	4		DA97-23368A	ASSY GASKET-REF; RF9000B	SA	1
2	2		DA97-23411A	ASSY GUARD PACKING-DOOR BIN MODULE; RF900	SNA	1
2-1	3		DA97-21912A	ASSY GUARD-REF; RF9000A,TP GRAY,BASIC	SA	3

7. DOOR FRE LEFT

DOOR FRE LEFT

Exploded View



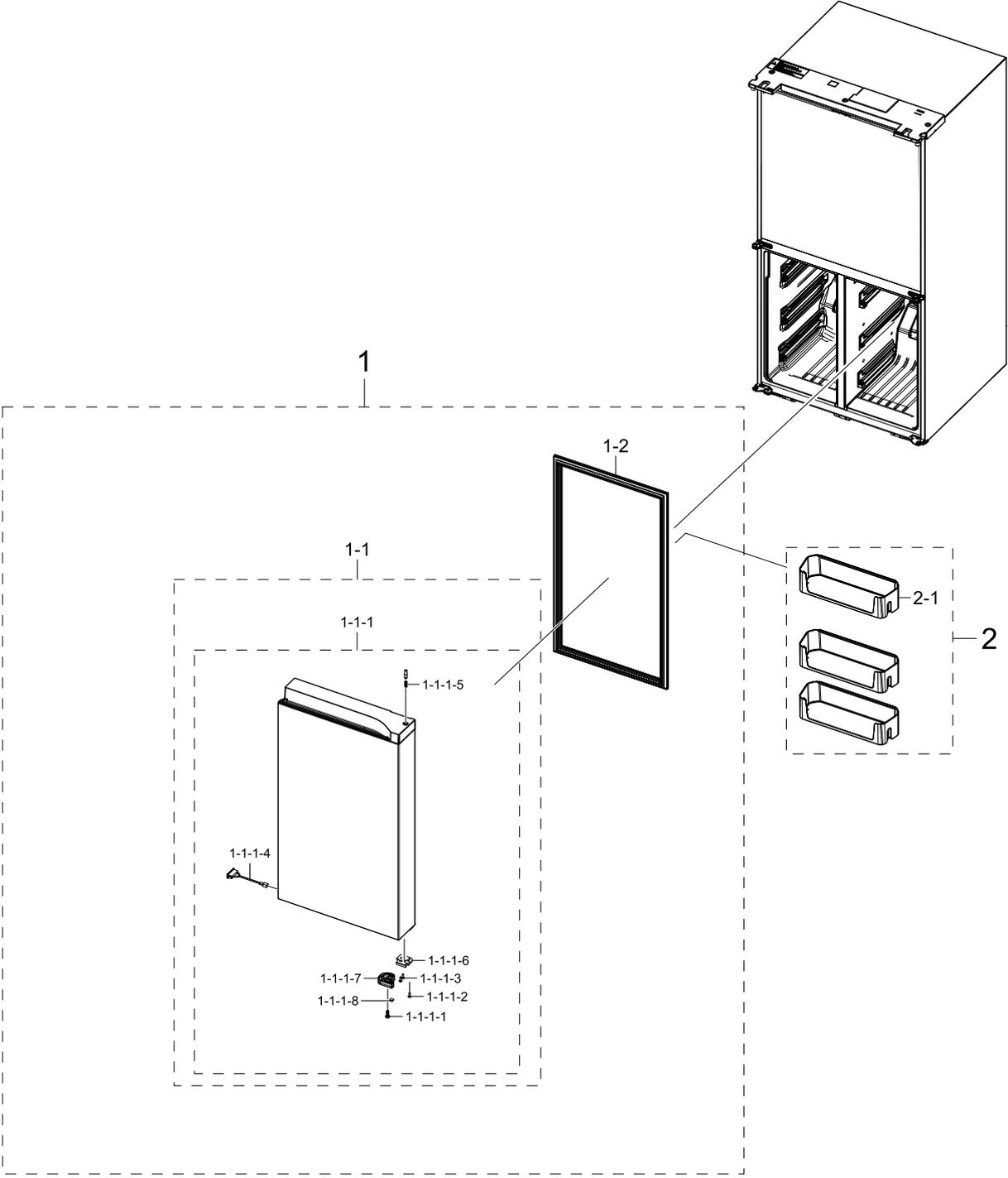
Parts List

No.	Lvl.	Loc.	Material Code	Description & Specification	SNA	Qty.
1	2		DA93-01091J	ASSY DOOR SUB-FRE LEFT DOOR MODULE; RF900	SNA	1
1-1	3		DA91-05480Z	ASSY DOOR FOAM-FRE LEFT; RF9000D,SR,VIP(1	SA	1
1-1-1	4		DA97-22060Y	ASSY PLATE DOOR-FRE LEFT; RF9000D,SR,VIP(SNA	1
1-1-1-1	5	G0412	6002-000613	SCREW-TAPPING; TH,+,-,2,M5,L16,ZPC(WHT),S	SA	1
1-1-1-2	5	G0412	6002-001120	SCREW-TAPPING; SWRCH18A,ZPC(WHT),L18,M4,F	SA	1
1-1-1-3	5	G0412	6002-001669	SCREW-TAPPING; SWRCH18A,ZPC(WHT),L20,M5,F	SA	2
1-1-1-4	5		DA67-02795C	CAP-SHAFT HOLE; AW3,ABS,HG-0760GP,SNOW WH	SA	1
1-1-1-5	5		DA61-15273A	SUPPORT DOOR-CLOSE; RF9000B,PK,-,M33R3A00	SA	1
1-1-1-6	5	A0534	DA61-03769B	MAGNET; SVETA,FERRITE,-,-,-,1600Gauss	SA	1
1-1-1-7	5	G0222	DA61-05366A	SPRING ETC-HANDLE; SVETA-PJT,STS304,ID5.4	SA	1
1-1-1-8	5		DA61-08816A	STOPPER DOOR-L; ROMANEE CONTI,PO-SPHC,T2.	SA	1
1-1-1-9	5	M0180	DA63-40294A	GROMMET-STOPPER; T3XW8XL8,PP+TD20%,NATURA	SA	1
1-2	3		DA97-23372A	ASSY GASKET-FRE; RF9000B,4SUB	SA	1
2	2		DA97-23375B	ASSY SHELF-SLIDE FRE SHELF MODULE; RF9000	SNA	1
2-1	3		DA97-19996E	ASSY GUARD-FRE; RF9000A,TP GRAY,India	SA	3

8. DOOR FRE RIGHT

DOOR FRE RIGHT

Exploded View



Parts List

No.	Lvl.	Loc.	Material Code	Description & Specification	SNA	Qty.
1	2		DA93-01092H	ASSY DOOR SUB-FRE RIGHT DOOR MODULE; RF90	SNA	1
1-1	3		DA91-05481Z	ASSY DOOR FOAM-FRE RIGHT; RF9000D,SR,VIP(SA	1
1-1-1	4		DA97-22070Y	ASSY PLATE DOOR-FRE RIGHT; RF9000D,SR,VIP	SNA	1
1-1-1-1	5	G0412	6002-000613	SCREW-TAPPING; TH,+,-,2,M5,L16,ZPC(WHT),S	SA	1
1-1-1-2	5	G0412	6002-001120	SCREW-TAPPING; SWRCH18A,ZPC(WHT),L18,M4,F	SA	1
1-1-1-3	5	G0412	6002-001669	SCREW-TAPPING; SWRCH18A,ZPC(WHT),L20,M5,F	SA	2
1-1-1-4	5		DA34-00043L	SWITCH REED; UL1007 AWG 22,L100	SA	1
1-1-1-5	5	G0222	DA61-05366A	SPRING ETC-HANDLE; SVETA-PJT,STS304,ID5.4	SA	1
1-1-1-6	5		DA61-08817A	STOPPER DOOR-R; ROMANEE CONTI,PO-SPHC,T2.	SA	1
1-1-1-7	5		DA61-15273A	SUPPORT DOOR-CLOSE; RF9000B,PK,-,M33R3A00	SA	1
1-1-1-8	5	M0180	DA63-40294A	GROMMET-STOPPER; T3XW8XL8,PP+TD20%,NATURA	SA	1
1-2	3		DA97-23372A	ASSY GASKET-FRE; RF9000B,4SUB	SA	1
2	2		DA97-23375B	ASSY SHELF-SLIDE FRE SHELF MODULE; RF9000	SNA	1
2-1	3		DA97-19996E	ASSY GUARD-FRE; RF9000A,TP GRAY,India	SA	3