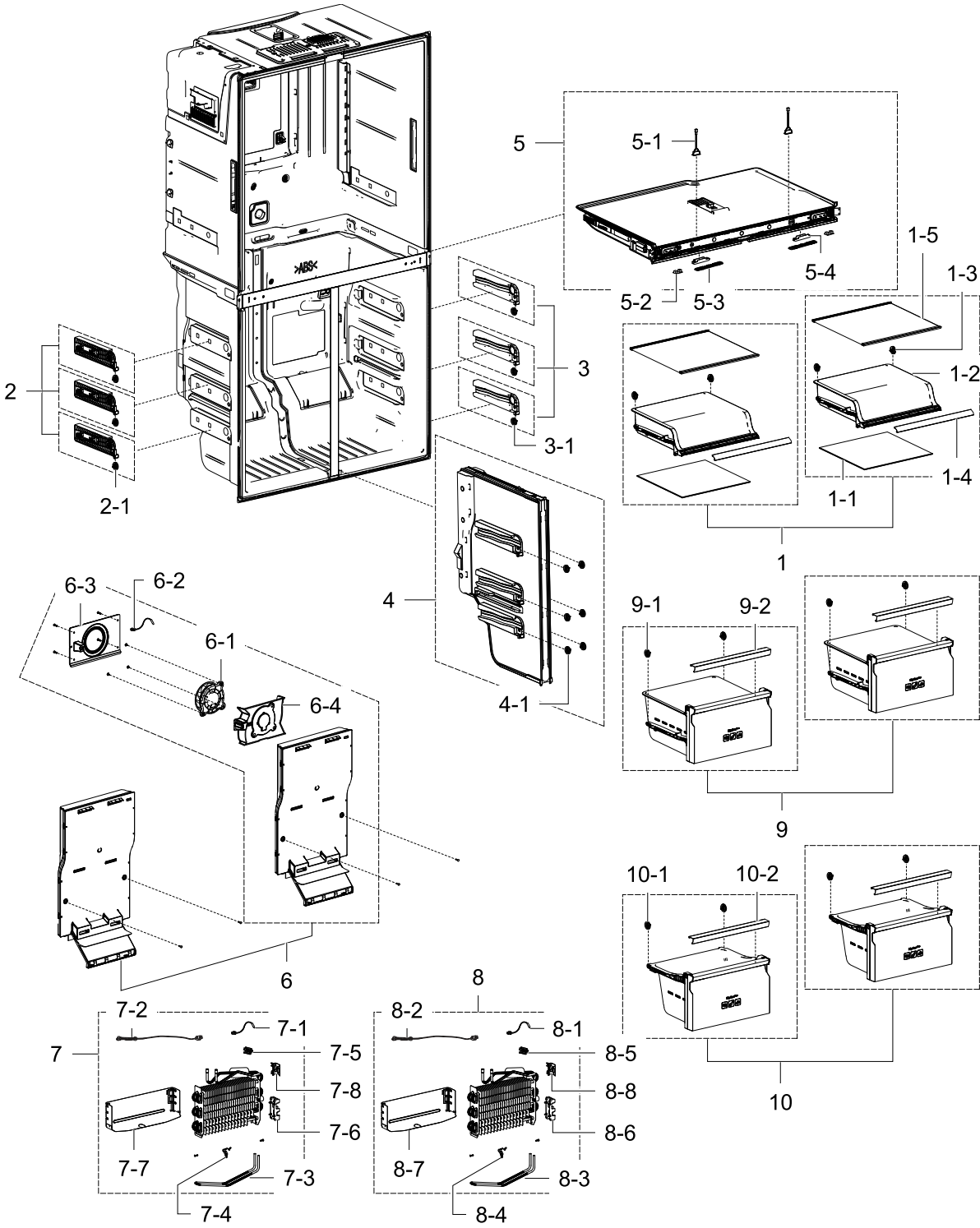


1. Freezer

Exploded View



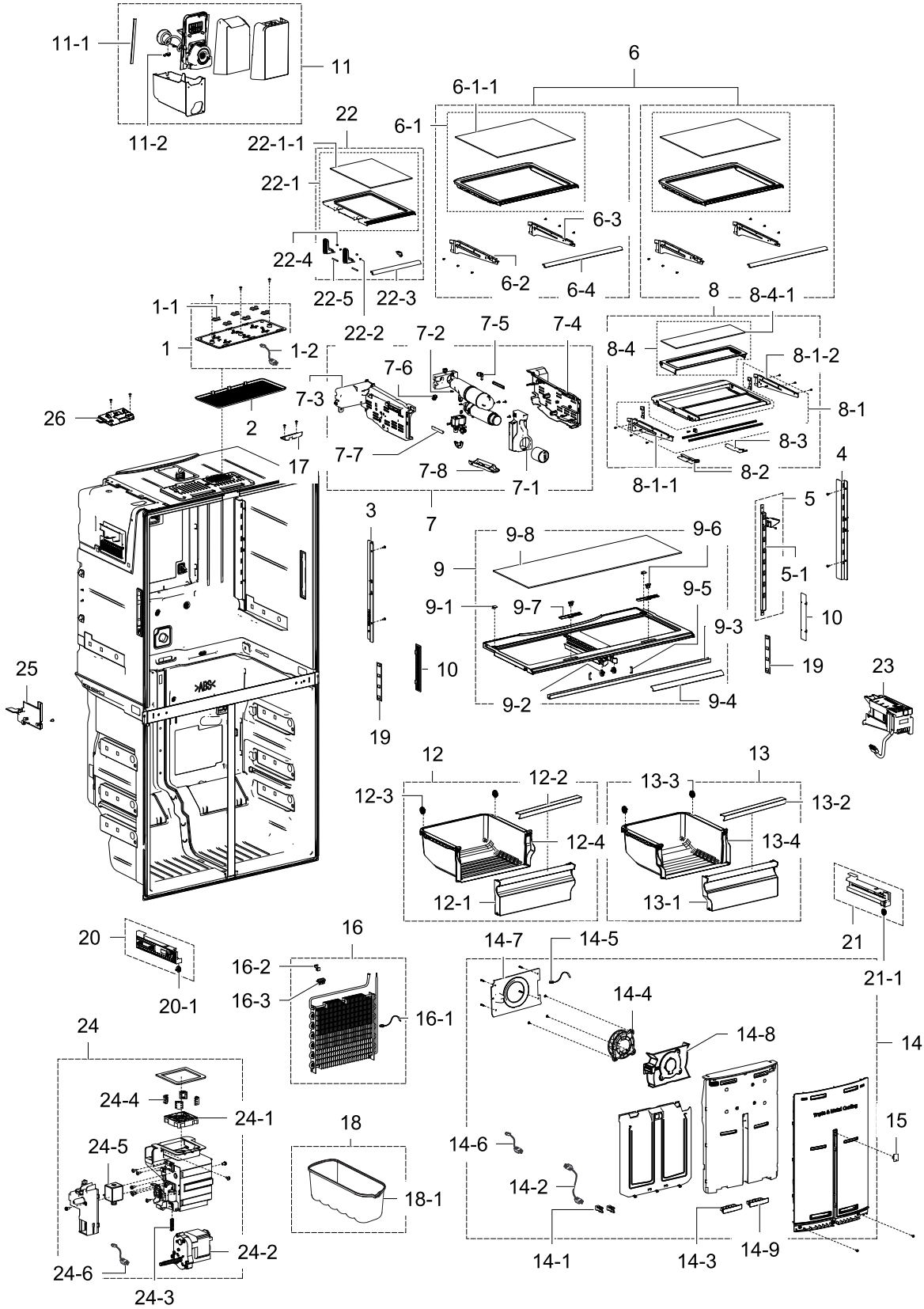
Parts List

No.	Lvl.	Loc.	Material Code	Description & Specification	SNA	Qty.
1	2		DA97-15355A	ASSY CASE BASKET-FRE UP; RF9000JC	SNA	2
1-1	3		DA01-01001H	GLASS TEMPERED-SHELF FRE UP; GLASS	SNA	2
1-2	3		DA61-10367A	CASE BASKET-UP; RF9000JC,HIPS,COOL WHITE,	SA	2
1-3	3		DA97-14447A	ASSY ROLLER; AW3-14,ASSY	SA	4
1-4	3	RF032	DA64-04307B	TRIM-SHELF FRE; ROMANEE,HIPS,S-834S1,COOL	SA	2
1-5	3	RF087	DA97-15357A	ASSY SHELF-FRE LOW; RF9000JC	SA	2
2	3		DA97-15419A	ASSY RAIL-LEFT; RF9000JC	SNA	3
2-1	4		DA97-14447A	ASSY ROLLER; AW3-14,ASSY	SA	3
3	3		DA97-15420A	ASSY RAIL-RIGHT; RF9000JC	SNA	3
3-1	4		DA97-14447A	ASSY ROLLER; AW3-14,ASSY	SA	3
4	3		DA97-15343A	ASSY PARTITION-FRE V; RF9000JC,ASSY	SNA	1
4-1	4		DA97-14447A	ASSY ROLLER; AW3-14,ASSY	SA	3
5	3		DA97-15418A	ASSY PARTITION-UP; RF9000JC	SNA	1
5-1	4	RY001	DA34-00043A	SWITCH REED; 13mm,UL1007 AWG 22,100,HOOK	SA	2
5-2	4		DA41-00676G	ASSY LAMP LED; 1ea,FR-4,30*20,WHITE,SMAW2	SA	2
5-3	4	RU017	DA63-05524A	COVER-CAP DOOR LED; AW3,PC,NTR	SA	2
5-4	4	RE235	DA67-02385A	CAP-REED SWITCH; SVETA-PJT,PP,SNOW-WHITE(SA	2
6	2	RF005	DA97-13001A	ASSY COVER EVAP-FRE; ROMANEE-CONTI,PP,COO	SA	2
6-1	3		DA31-00334A	MOTOR BLDC FAN; 12035GE-12M-YT-F1,1775 7	SA	1
6-2	3	RI139	DA32-00011C	SENSOR TEMP; DKST1329GW,QUEEN,-50 ~ 80	SA	1
6-3	3	RF120	DA61-08425A	CASE-MOTOR FRE; HM12,ABS,GRAY,CNTKA-204,S	SA	1
6-4	3	RI269	DA61-08658A	GUIDE AIR; ROMANEE-CONTI,HIPS,NTR	SA	1
7	2	RF011	DA96-01021A	ASSY EVAP-FRE; ROMANEE CONTI	SA	1
7-1	3	RK716	DA32-10104N	SENSOR TEMP; DKST1329GW,AW3,-50~805V,	SA	1
7-2	3	RR036	DA47-00301D	THERMO FUSE-ASSY; AC250V,10A,109~110S	SA	1
7-3	3		DA47-00318J	HEATER METAL SHEATH; AC230V,Romanee Conti	SA	1
7-4	3	RR042	DA61-03644A	PLATE-EVAP HEATER; AW-PJT,AL,T0.7,-,-,-,-	SA	1
7-5	3	RK213	DA61-03683A	FIXER-SENSER; AW-PJT,PP,-,NTR,FH-44N	SA	1
7-6	3	RU375	DA61-06700A	FIXER-HEATER WIRE REF; HM/GGH/HAEMIL,PP,N	SA	2
7-7	3	RF169	DA61-08675A	PLATE-DRAIN EVAP FRE; ROMANEE CONTI,AL,T0	SA	1
7-8	3		DA71-20265A	FIXER-THERMO FUSE; SR-42.4636,PP,-,-,-	SNA	1

No.	Lvl.	Loc.	Material Code	Description & Specification	SNA	Qty.
8	2	RF011	DA96-00987A	ASSY EVAP-FRE; ROMANEE CONTI,FIN TUBE,230	SC	1
8-1	3	RK716	DA32-10104N	SENSOR TEMP; DKST1329GW,AW3,-50~805V,	SA	1
8-2	3	RR036	DA47-00301D	THERMO FUSE-ASSY; AC250V,10A,109~110S	SA	1
8-3	3		DA47-00318J	HEATER METAL SHEATH; AC230V,Romanee Conti	SA	1
8-4	3	RR042	DA61-03644A	PLATE-EVAP HEATER; AW-PJT,AL,T0.7,-,-,-,-	SA	1
8-5	3	RK213	DA61-03683A	FIXER-SENSER; AW-PJT,PP,-,NTR,FH-44N	SA	1
8-6	3	RU375	DA61-06700A	FIXER-HEATER WIRE REF; HM/GGH/HAEMIL,PP,N	SA	2
8-7	3	RF169	DA61-08675A	PLATE-DRAIN EVAP FRE; ROMANEE CONTI,AL,T0	SA	1
8-8	3		DA71-20265A	FIXER-THERMO FUSE; SR-42.4636,PP,-,-,-	SNA	1
9	2		DA97-15359A	ASSY CASE BASKET-MIDDLE; RF9000JC	SA	2
9-1	3		DA97-14447A	ASSY ROLLER; AW3-14,ASSY	SA	4
9-2	3		DA64-04323B	TRIM-TRAY FRE; ROMANEE,HIPS,S834S1,COOL W	SA	2
10	2		DA97-15356A	ASSY CASE BASKET-LOW; RF9000JC	SA	2
10-1	3		DA97-14447A	ASSY ROLLER; AW3-14,ASSY	SA	4
10-2	3		DA64-04323B	TRIM-TRAY FRE; ROMANEE,HIPS,S834S1,COOL W	SA	2

2. Fridge

Exploded View



Parts List

No.	Lvl.	Loc.	Material Code	Description & Specification	SNA	Qty.
1	2	RI246	DA97-12606A	ASSY CASE LAMP-REF; AW4	SA	1
1-1	3		DA41-00676G	ASSY LAMP LED; 1ea,FR-4,30*20,WHITE,SMAW2	SA	6
1-2	3		DA96-00961A	ASSY W/HARNES-LED REF; ALL,12VDC,UL+IEC,	SA	6
2	2	RG025	DA63-07816A	COVER LAMP-REF; OPUS1-14,GPPS,HB,TB BLUE,	SA	1
3	2		DA61-08693C	ANGLE SHELF-REF SIDE LEFT; CR-SPCC,T2.5,C	SA	1
4	2		DA61-08632C	ANGLE SHELF-REF SIDE RIGHT; CR-SPCC,T2.5,	SA	1
5	2		DA97-15620A	ASSY ANGLE SHELF-REF MIDDLE; RF9000JC	SA	1
5-1	3		DA61-08264B	ANGLE SHELF-REF MIDDLE; GI-SGCC,T2.5,INOX	SA	1
6	2	RI037	DA97-15368B	ASSY SHELF-REF; RF9000JC	SA	2
6-1	3		DA67-03971A	SHELF-REF FIX; RF9000JC,PP,COOL WHITE	SNA	2
6-1-1	4		DA01-00888A	GLASS-SHELF REF FIX; GLASS	SNA	2
6-2	3		DA61-09194A	HANGER-LEFT; AW4-4D,CD,EGI-SECC,COOL WHIT	SA	2
6-3	3		DA61-09193A	HANGER-RIGHT; AW4-4D,CD,EGI-SECC,COOL WHI	SA	2
6-4	3	RI079	DA64-04348A	TRIM-SHELF REF; ROMANEE,ABS,COOL WHITE(SC	SNA	2
7	2		DA97-15417A	ASSY CASE FILTER; T9000-CD,220V	SA	1
7-1	3	RI537	DA63-06885A	COVER-FILTER TANK; AW4,HIPS,W72.4,L167.7,	SA	1
7-2	3	RR094	DA61-04522A	CLIP-FITTING LOCK; AW,POM,-,-,1/4inch	SA	2
7-3	3		DA61-09242A	CASE FILTER-LEFT; AW4-CD,HIPS,COOL WHITE,	SNA	1
7-4	3		DA61-09243A	CASE FILTER-RIGHT; AW4-CD,HIPS,COOL WHITE	SNA	1
7-5	3		DA62-02414A	TUBE-FITTING L; POM,1/4inch,1/4-1/4	SA	1
7-6	3		DA62-03103A	TUBE-FITTING L; AW33,POM,GRAY	SA	1
7-7	3	RI539	DA63-05408B	COVER-LED FILTER; AW3,GPPS,NTR	SA	2
7-8	3	RI538	DA63-05407A	TRAY-WATER FILTER; AW3,HIPS,DA WHITE(W921	SA	1
8	2		DA97-15363A	ASSY SHELF QUICK SPACE; RF9000JC	SA	1
8-1	3		DA97-13832A	ASSY SHELF HANGER-RIGHT; AW4-CD	SA	1
8-1-1	4		DA61-09197A	HANGER-LOW LEFT; AW4-CD,EGI-SECC,COOL WHI	SA	1
8-1-2	4		DA61-09195A	HANGER-LOW RIGHT; AW4-CD,EGI-SECC,COOL WH	SA	1
8-2	3		DA61-09300A	SUPPORT RAIL-LEFT; AW4-4D,ABS,HG-0760GP,C	SA	1

Exploded Views and Parts List

No.	Lvl.	Loc.	Material Code	Description & Specification	SNA	Qty.
8-3	3		DA61-09299A	SUPPORT RAIL-RIGHT; AW4-4D,ABS,HG-0760GP,	SA	1
8-4	3		DA67-03698A	SHELF-QUICK MID; AW4-4D,PP,COOL WHITE,AW-	SA	1
8-4-1	4		DA01-00894A	GLASS-SHELF REF MIDDLE; GLASS	SNA	1
9	2	RI543	DA97-15360A	ASSY COVER VEG-REF; RF9000JC,SILVER TRIM	SA	1
9-1	3	RI208	DA61-03166A	FIXER-COVER VEG; AW,POM,WHITE,HB,K300	SA	2
9-2	3		DA97-14447B	ASSY ROLLER; LATOUR,ASSY PI 24	SA	2
9-3	3	RI209	DA61-04292A	REINF-COVER VEG; AW2-PJT,SHP1,T2.0	SA	1
9-4	3	RF032	DA64-04307D	TRIM-SHELF FRE; ROMANEE,HIPS,S-834S1,COOL	SA	1
9-5	3		DA61-10523A	CASE LOCK-A; RF9000JC,POM,Natural,K300	SA	2
9-6	3	RI262	DA64-04173A	KNOB-HUMIDITY; AW4,ABS,NATURAL,Chromium P	SA	2
9-7	3	RR164	DA66-00718A	LEVER-HUMIDITY; AW3,HIPS,COOL WHITE(SC-03	SA	2
9-8	3	RO868	DA01-00891A	GLASS; GLASS	SNA	1
10	2		DA63-07276A	COVER LAMP-LED SIDE; OPUS1-14,GPPS,HB,TP	SA	2
11	2	RZ003	DA97-14504A	ASSY TRAY ICE; AW2-CD-14,MAGNET TYPE	SA	1
11-1	3		DA63-07185A	GASKET-TRAY ICE BUCKET; AW4,PVC-SF,WHITE	SA	1
11-2	3	RM039	DA61-20124D	SPRING ETC-DISPENSER; AW-BEST-GE-OEM,STS3	SA	1
12	2		DA97-13842E	ASSY CASE VEG-LEFT; RF9000JC	SNA	1
12-1	3		DA63-07552B	COVER VEG-LEFT; RF9000JC,GPPS,HB,TP BLUE,	SNA	1
12-2	3		DA64-03862T	TRIM BASKET-LEFT; RF9000JC,HIPS,S834S1,CO	SNA	1
12-3	3		DA97-14447A	ASSY ROLLER; AW3-14,ASSY	SA	4
12-4	3		DA61-09161A	CASE VEG-REF LEFT; AW4-4D,GPPS,NATURAL,HF	SA	1
13	2		DA97-13841E	ASSY CASE VEG-RIGHT; RF9000JC	SNA	1
13-1	3		DA63-07553B	COVER VEG-RIGHT; RF9000JC,GPPS,TP BLUE,G-	SNA	1
13-2	3		DA64-03862S	TRIM BASKET-RIGHT; RF9000JC,HIPS,S834S1,C	SNA	1
13-3	3		DA97-14447A	ASSY ROLLER; AW3-14,ASSY	SA	4
13-4	3		DA61-09160A	CASE VEG-REF RIGHT; AW4-4D,GPPS,NATURAL,H	SA	1
14	2	RI008	DA97-15409B	ASSY COVER EVAP-REF; RF9000JC,PLATE COOLI	SA	1
14-1	3		DA61-10534A	FIXER LOCKER; RF9000JC,PA66,NATURAL,KN331	SA	2

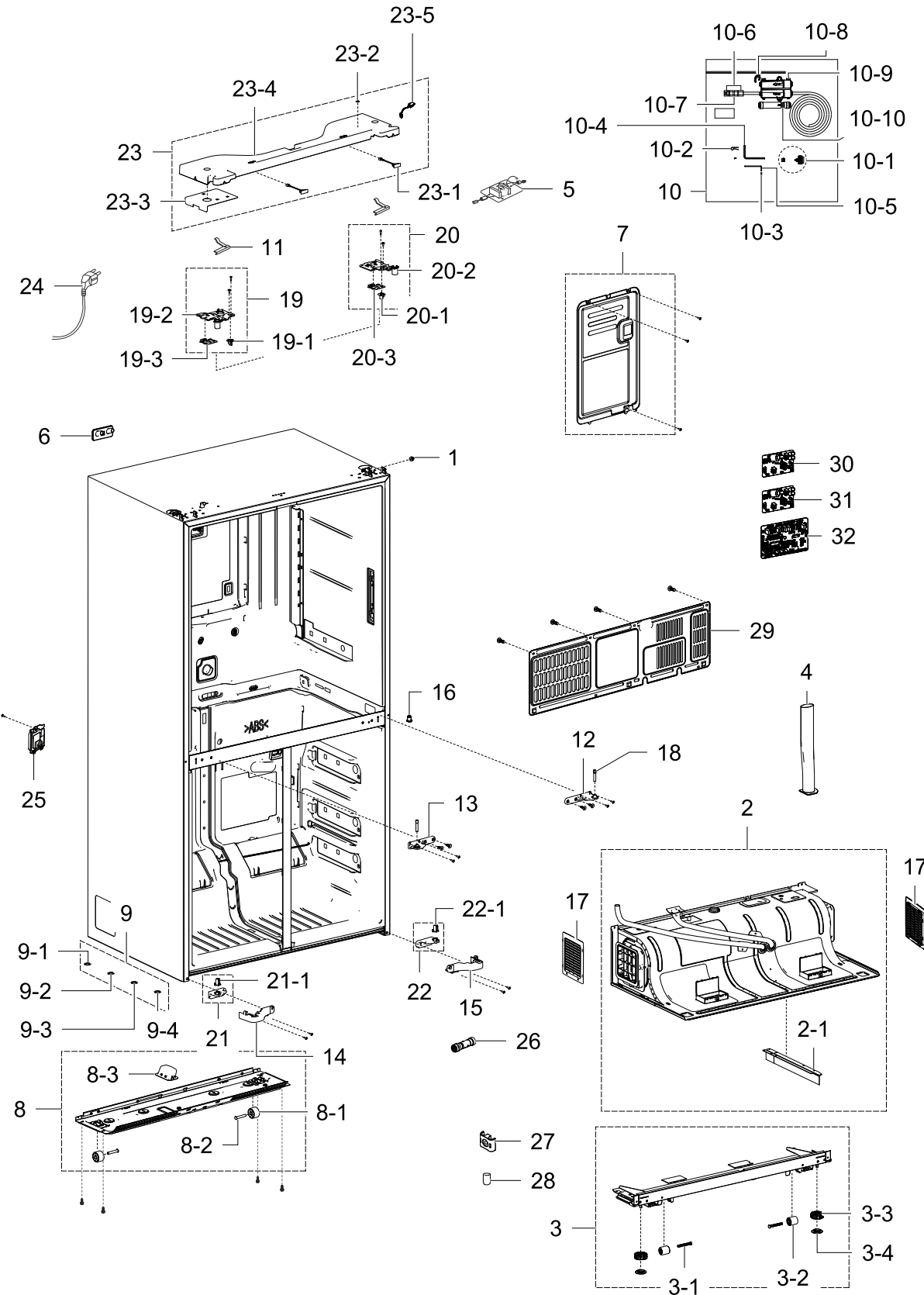
No.	Lvl.	Loc.	Material Code	Description & Specification	SNA	Qty.
14-2	3	RY441	DA96-00801B	ASSY WIRE HARNESS-HUMIDITY; ALL,12VDC,UL+	SA	1
14-3	3		DA63-08102B	COVER DEODORIZER-LEFT; RF9000JC,HIPS,HB,C	SA	1
14-4	3		DA31-00334A	MOTOR BLDC FAN; 12035GE-12M-YT-F1,17757	SA	1
14-5	3	RI139	DA32-00011C	SENSOR TEMP; DKST1329GW,QUEEN,-50 ~ 80	SA	1
14-6	3	RO302	DA32-00034B	SENSOR HUMIDITY; SHT20P,POLARIS,5V,1mA,0	SA	1
14-7	3	RF120	DA61-08425A	CASE-MOTOR FRE; HM12,ABS,GRAY,CNTKA-204,S	SA	1
14-8	3	RI269	DA61-08658A	GUIDE AIR; ROMANEE-CONTI,HIPS,NTR	SA	1
14-9	3		DA63-08019B	COVER DEODORIZER-RIGHT; RF9000JC,HIPS,HB,	SA	1
15	2		DA97-15412A	ASSY CAP ANGLE; RF9000JC,HOT STAMPING	SA	1
16	2	RI016	DA96-01002A	ASSY EVAP-REF; ROMANEE CONTI_DISP,FIN TUB	SA	1
16-1	3	RK716	DA32-10104N	SENSOR TEMP; DKST1329GW,AW3,-50~80??5V,	SA	1
16-2	3	RR006	DA61-06013A	FIXER-WIRE; AW3-PJT,PP,NTR	SC	1
16-3	3	RK213	DA61-03683A	FIXER-SENSOR; AW-PJT,PP,-,NTR,FH-44N	SA	1
17	2	RI211	DA61-04285A	GUIDE-FRENCH; OPUS1-14,ABS+PC,HB,HR-1008B	SA	1
18	2		DA97-02806K	ASSY TRAY EGG; ROMANEE-CONTI,-	SC	1
18-1	3	RE355	DA63-02492A	TRAY EGG; EPEL,GPPS,NATURAL,T2.5,W324.5,H	SC	1
19	4	RK394	DA41-00519Q	ASSY LAMP LED; 3ea,CEM-1,170*10,WHITE,SMA	SA	2
20	3		DA97-13838A	ASSY RAIL-LEFT; AW4-CD,VEG	SA	1
20-1	4		DA97-14447B	ASSY ROLLER; LATOUR,ASSY PI 24	SA	1
21	3		DA97-13837A	ASSY RAIL-RIGHT; AW4-CD,VEG	SA	1
21-1	4		DA97-14447B	ASSY ROLLER; LATOUR,ASSY PI 24	SA	1
22	2	RI492	DA97-15362A	ASSY SHELF FOLDER; RF9000JC	SA	1
22-1	3		DA67-03970A	SHELF FOLDER; RF9000JC,PP,COOL WHITE	SNA	1
22-1-1	4		DA01-00887A	GLASS-SHELF REF FOLD; GLASS	SA	1
22-2	3		DA61-03705A	SPRING ETC-HINGE SHELF; AW BEST,STS304,	SA	2
22-3	3	RI079	DA64-04348C	TRIM-SHELF REF; ROMANEE,ABS,WHITE,245.5	SA	1
22-4	3		DA66-00482A	ROLLER-HINGE-SHELF; AW-PJT,POM,6,WHT	SA	2
22-5	3		DA66-00483A	SHAFT-HINGE-SHELF; AW-PJT,STS304,38,4.0,-	SA	2
23	2	RM061	DA97-13718B	ASSY ICE MAKER; AW4-CD,230V-60Hz	SA	1
24	2		DA97-12540F	ASSY CASE FAN-AUGER MOTOR; AW4-CD,230V/50	SA	1
24-1	3	RW547	DA31-00070E	MOTOR BLDC FAN; 2606JL-04W-S39-UQ1,3600rp	SA	1

Exploded Views and Parts List

No.	Lvl.	Loc.	Material Code	Description & Specification	SNA	Qty.
24-2	3	RF434	DA31-00105L	MOTOR GEARED AC AUGER; ISG3240SSH-1,220/2	SA	1
24-3	3	RR109	DA61-20140A	SPRING ETC-SOLENOID; SR-S7180,STS304,ID7.	SA	1
24-4	3	RS711	DA63-02513A	GROMMET-FAN; USP,NBR	SA	4
24-5	3	RO088	DA74-40151F	VALVE COIL SOLENOID; AC220-240V,-,SOLENOI	SA	1
24-6	3		DA96-00682E	ASSY WIRE HARNESS-AUGER; FDR,FREE VOLT,UL	SA	1
25	2		DA63-07496A	COVER AIR-WIRE HARNESS ICE; AW4 CD,HIPS,C	SA	1
26	2		DA97-14471A	ASSY CASE LOCK; AW3-14,MAGNET TYPE	SA	1

3. Cabinet

Exploded View



Parts List

No.	Lvl.	Loc.	Material Code	Description & Specification	SNA	Qty.
1	4	RO256	6011-001694	BOLT-ETC; M8,L14.1(3.4),FE-FZB,SCM435,3-B	SA	1
2	2		DA97-15375A	ASSY CABI BOTTOM-REAR; RF9000JC,DISPENSER	SNA	1
2-1	3	RM102	DA64-02950A	TRIM-BLADE; AW2-CD,RD-PVC,SHGS-L130-67-01	SA	1
3	2		DA97-15376A	ASSY CABI BOTTOM-FRONT; RF9000JC	SNA	1
3-1	3	RH012	DA61-01920A	CASTER-RIVET; (ZPC2),MSWR10,-,OD8.0,L58	SA	2
3-2	3	RO360	DA61-04702A	CASTER-FRONT; AW-PJT,PP,NATURAL,32, PP+TP	SA	2
3-3	3	RO100	DA61-07972B	FOOT-FRONT; POLARIS,PP,BLACK,INSERT NUT,	SA	2
3-4	3	RO049	DA61-07973B	FOOT; POLARIS,PP,BLACK,PP_S	SA	2
4	2		DA97-14866A	ASSY GUIDE HOSE-BOTTOM; AW3-14,FOAM PE	SNA	1
5	2	RH069	DA27-00043A	COIL FILTER; SSLF-203F,4.0mH, 14.0mH,60*8	SA	1
6	2		DA97-08494B	ASSY COVER-FIXER WATER; OPUS1,ASSY	SNA	1
7	2		DA97-13181D	ASSY COVER PBA-MAIN; ROMANEE-CONTI,FOAMLE	SA	1
8	2		DA97-13195A	ASSY CHASSIS COMP; ROMANEE-CONTI,T1.4,DUA	SA	1
8-1	3	RR242	DA61-04703A	CASTER-REAR; AW-PJT,PP,NTR,35,PP+TPE	SA	2
8-2	3	RX039	DA66-00649B	SHAFT-CASTER; POLARIS,MSWR10,L44,ID8.0,OD	SA	2
8-3	3		DA64-04085A	HANDLE-CHASSIS COMP; HAEMIL,PP,BJ750,NATU	SNA	1
9	2		DA99-04158A	ASSY ACCESSORY; ROMANEE CONTI,ADJUSTMENT	SA	1
9-1	3		DA60-00314A	FASTENER-HINGE; ROMANEE CONTI,POM,BLACK	SA	1
9-2	3		DA60-00314B	FASTENER-HINGE; ROMANEE CONTI,POM,T1.5,BL	SA	1
9-3	3		DA60-00314C	FASTENER-HINGE; ROMANEE CONTI,POM,T2.0,BL	SC	1
9-4	3		DA60-00314D	FASTENER-HINGE; ROMANEE CONTI,POM,T2.5,BL	SA	1
10	2		DA97-15662A	ASSY HOSE-REF; RF9000JC,CHINA	SA	1
10-1	3	RC001	DA62-01329A	PIPE-CONNECT WATER PACKING; ET-PJT,BRASS,	SA	1
10-2	3	RH710	DA65-20110B	CLAMP; -,NY-66,-,-,DN-5N,PI8.0	SA	8
10-3	3		DA67-03197A	CAP-WRENCH; AW3-PJT,PVC,BLACK	SA	1
10-4	3		DA80-00002F	WRENCH-SPANNER; AW3,SM45C,Zn PLATING	SA	1
10-5	3		DA80-00026B	WRENCH-SPANNER; AW3,SM45C,Zn Plating	SA	1
10-6	3	RR072	DA74-00070B	VALVE-FITTING NUT; A-TOP,CU,12,C3604 BD-F	SA	2

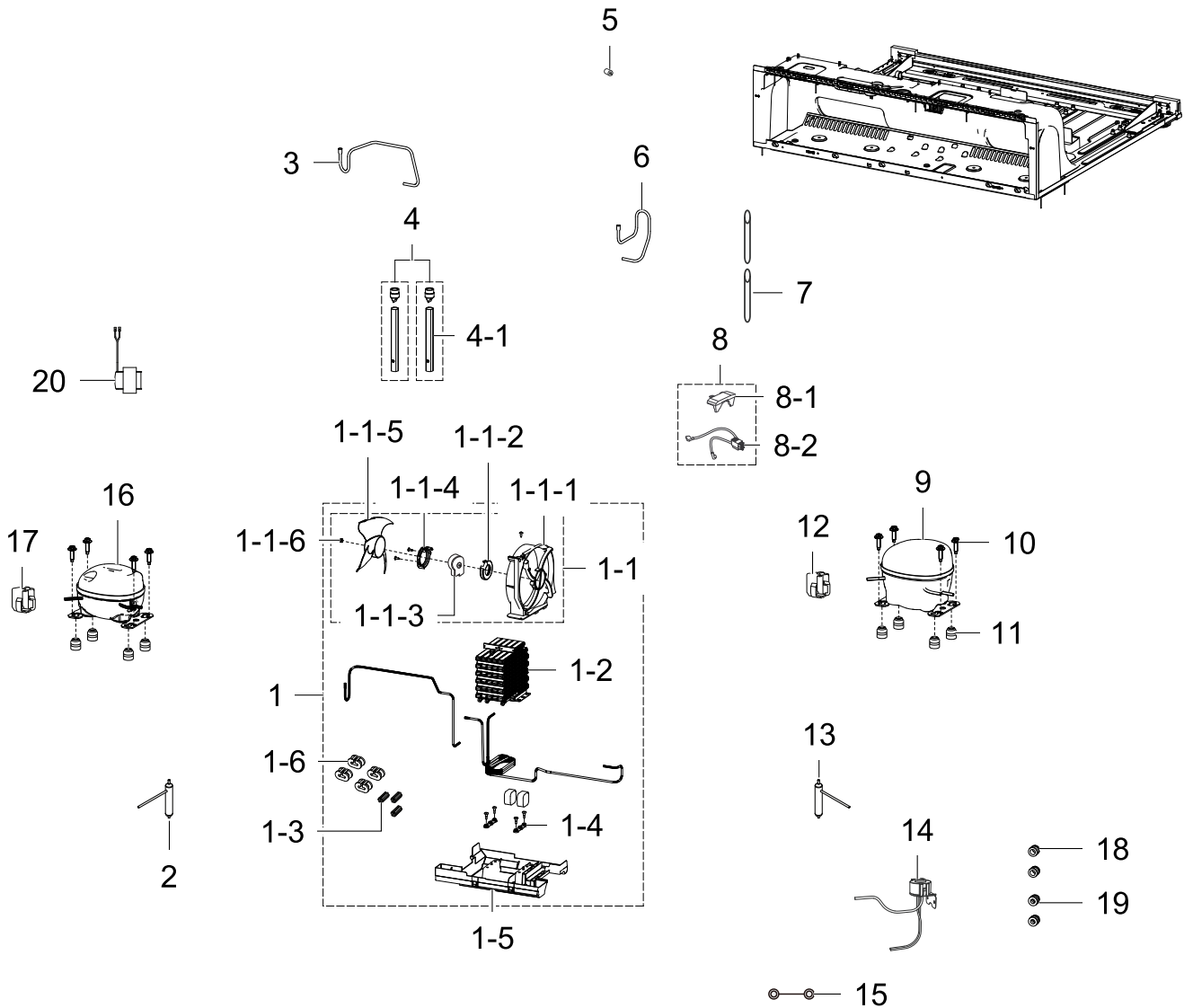
No.	Lvl.	Loc.	Material Code	Description & Specification	SNA	Qty.
10-7	3	RO207	DA62-01378B	VALVE-FITTING PU; AT06,C3604BD-F,-,-,-,-	SA	1
10-8	3	RR094	DA61-04522A	CLIP-FITTING LOCK; AW,POM,-,-,1/4inch	SA	2
10-9	3	RU304	DA63-04744A	COVER-CHECK VALVE; HM,PP,HB,GRAY,CNTK-P-1	SA	1
10-10	3		DA60-00336A	FITTING TUBE; POM,1/4	SA	1
11	2	RO255	DA61-04932A	FIXER HINGE-UPP; HEAMIL-PJT,GI,T3.0,-,-	SA	2
12	2	RO537	DA61-08678A	HINGE-MID R; ROMANEE CONTI,ZN,ZNDC2,CR PL	SA	1
13	2	RO536	DA61-08679A	HINGE-MID L; ROMANEE CONTI,ZN,ZNDC2,CR PL	SA	1
14	2		DA63-07232A	COVER LEG-FRONT L; ROMANEE CONTI,PP,INOX	SA	1
15	2		DA63-07233A	COVER LEG-FRONT R; ROMANEE CONTI,PP,INOX	SA	1
16	2		DA63-07306A	GROMMET HINGE-MID; ROMANEE CONTI,POM,BLAC	SA	2
17	2	RH778	DA63-07680A	COVER UNIT; AW3-14,ABS,HB,INOX GRAY,HG-07	SA	2
18	2	RO763	DA66-00987A	SHAFT HINGE-MID; ROMANEE CONTI,SWCH10A,L4	SA	2
19	2	RO041	DA97-12573A	ASSY HINGE UPP-L; AW4,T3.0,BLACK	SA	1
19-1	3	RO175	DA66-00950A	CAM-AUTO CLOSE L; AW4,POM,BLACK	SA	1
19-2	3	RO129	DA61-08309A	HINGE-UPP L; AW4,PO-SPHC,T3.0,ELETRODEPOS	SA	1
19-3	3	RK777	DA63-50192A	SHIM-HINGE UPP; RD-PVC,-,T1.0	SA	1
20	2	RO042	DA97-12991A	ASSY HINGE-UPP R; ROMANEE CONTI,T2.9,ADJU	SA	1
20-1	3	RO573	DA66-00951A	CAM-AUTO CLOSE R; AW4,POM,BLACK	SA	1
20-2	3	RO128	DA61-08677A	HINGE-UPP R; ROMANEE-CONTI,SHP1,T2.9,BLAC	SA	1
20-3	3	RK777	DA63-50192A	SHIM-HINGE UPP; RD-PVC,-,T1.0	SA	1
21	2	RO037	DA97-12992A	ASSY HINGE LOW-L; ROMANEE CONTI,Cr PLATIN	SA	1
21-1	3	RO116	DA63-07231A	GROMMET HINGE; ROMANEE CONTI,POM,BLACK	SA	1
22	2	RO038	DA97-12993A	ASSY HINGE LOW-R; ROMANEE CONTI,Cr PLATIN	SA	1
22-1	3	RO116	DA63-07231A	GROMMET HINGE; ROMANEE CONTI,POM,BLACK	SA	1
23	2	RO133	DA97-13703G	ASSY TOP TABLE; ROMANEE CONTI EXP,INOX GR	SA	1
23-1	3	RY001	DA34-00043A	SWITCH REED; 13mm,UL1007 AWG 22,100,HOOK	SA	2
23-2	3	RR094	DA61-04522A	CLIP-FITTING LOCK; AW,POM,-,-,1/4inch	SA	2
23-3	3	RO250	DA61-08227A	PLATE-COVER HINGE; AW4,GI-SGCC,T0.3	SA	1

Exploded Views and Parts List

No.	Lvl.	Loc.	Material Code	Description & Specification	SNA	Qty.
23-4	3	RO930	DA64-04477B	TOP TABLE; ROMANEE CONTI,ABS,INOX GRAY	SA	1
23-5	3		DA96-00962A	ASSY W/HARNESS-REED SWITCH; FDR,12VDC,ALL	SA	1
24	2		3903-000794	CBF-POWER CORD; AT,E.U,EU3F,3C,250V,16A,B	SA	1
25	2	RM074	DA97-08413C	ASSY COVER-TUBE FILTER; ROMANEE-CONTI	SA	1
26	2	RO518	DA62-03914A	TUBE-FITTING; PP,1/4"-1/4",TRANSPARENT	SA	1
27	2	RY480	DA61-03467B	FIXER-HOSE; AW-PJT,HIPS,NTR	SA	3
28	2	RU302	DA73-00211A	RUBBER-CAP HOSE; i4-PJT,SILICON,GRAY	SA	1
29	2	RH001	DA97-12749B	ASSY COVER COMP; POLARIS,GI-SGCC,T0.25	SA	1
30	1	RO326	DA92-00215N	ASSY PCB INVERTER; INVERTER,ROMANEE CONTI	SA	1
31	1	RO326	DA92-00459A	ASSY PCB INVERTER; INVERTER,3050,148*98.5	SA	1
32	1	RY475	DA92-00606C	ASSY PCB MAIN; PBA MAIN,RF9000JC,197*178,	SA	1

4. Cycle

Exploded View



Parts List

No.	Lvl.	Loc.	Material Code	Description & Specification	SNA	Qty.
1	2	RH003	DA97-13771A	ASSY TRAY DRAIN WATER; ROMANEE-CONTI,SFC	SA	1
1-1	3	RO132	DA97-12842B	ASSY SUPPORT-CIRCUIT MOTOR; ROMANEE CONTI	SA	1
1-1-1	4	RF412	DA61-08427A	SUPPORT-CIRCUIT MOTOR; HM12,ABS,CNTK A-20	SC	1
1-1-2	4	RI086	DA63-07065A	GROMMET-MOTOR; HM12,NBR,BLACK	SA	1
1-1-3	4		DA31-00305C	MOTOR BLDC; DRCP8020LA,11206%,12V,1.7W,	SC	1
1-1-4	4	RH039	DA61-08428A	BRACKET-CIRCUIT MOTOR; HM12,ABS,GRAY,ABS_	SC	1

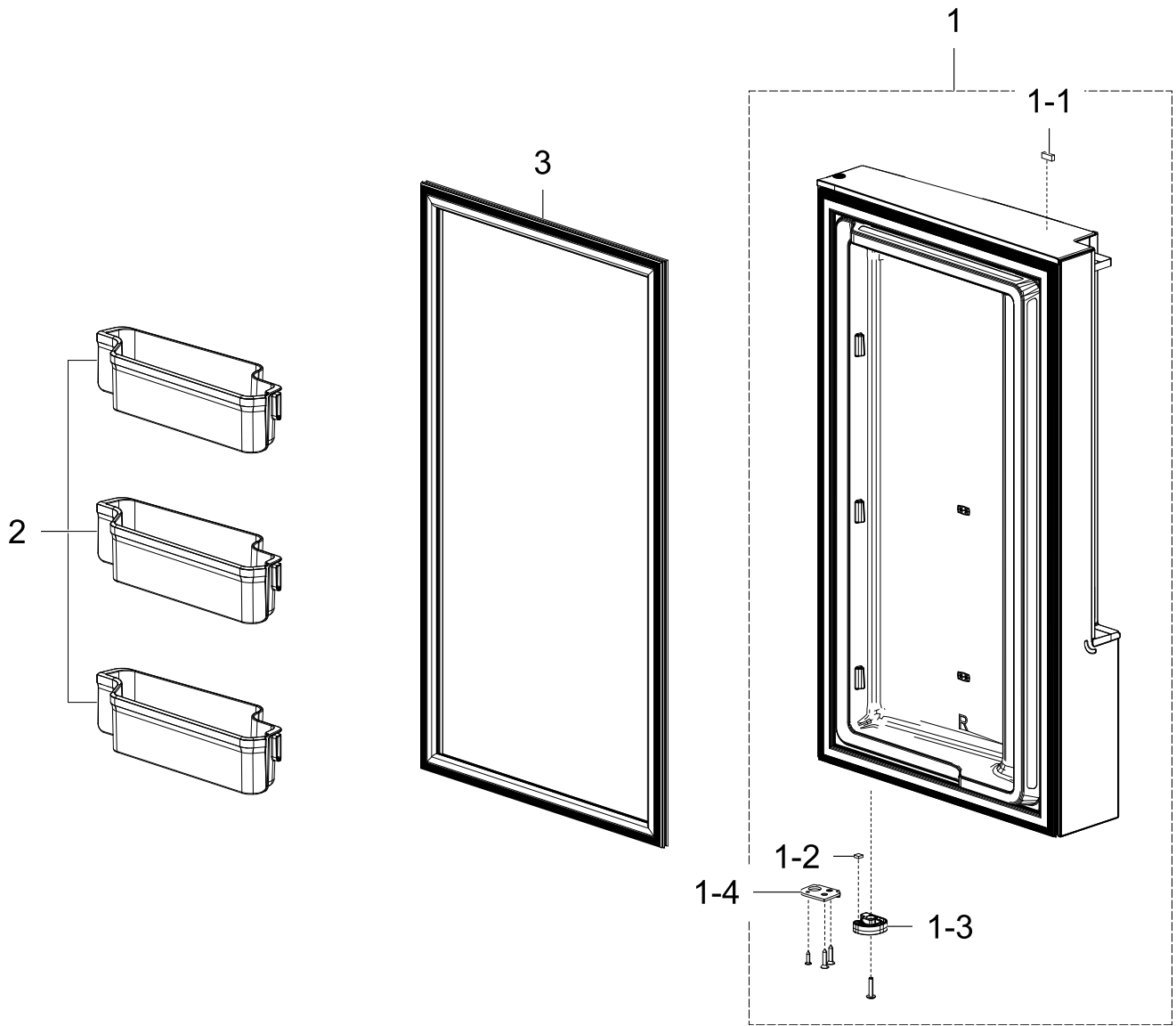
Exploded Views and Parts List

No.	Lvl.	Loc.	Material Code	Description & Specification	SNA	Qty.
1-1-5	4	RG062	DA31-00320A	FAN; HM12,ABS+GLASSFIBER,GR-4010/NTR	SC	1
1-1-6	4	RR053	DA61-20128A	SPRING ETC-FAN; STS304,PI8.8,ID7.8,OD9.8,	SA	1
1-2	3		DA97-13770A	ASSY CONDENSER; ROMANEE CONTI,PARALLEL SF	SNA	1
1-3	3		DA63-07323A	GROMMET-IMMERSION PIPE B; ROMANEE CONTI,N	SA	3
1-4	3	RH022	DA63-40128A	GROMMET-SUB COND; -,NBR,-,-,-,-,-,DARK-	SA	2
1-5	3	RO361	DA63-07324A	TRAY-DRAIN WATER; ROMANEE-CONTI,PP,HB,GRA	SNA	1
1-6	3		DA63-07322A	GROMMET-IMMERSION PIPE A; ROMANEE CONTI,N	SA	4
2	2	RH044	DA62-04309B	DRYER; C1220,114,SINGLE MOUTH,9g	SA	1
3	2		DA62-03896A	PIPE-CONNECT SUCTION REF; ROMANEE-CONTI,C	SA	1
4	2	RZ110	DA97-04049M	ASSY CAP-DRAIN; ROMANEE_CONTI,L175.5,GRAY	SA	2
4-1	3	RH890	DA62-01266J	TUBE PVC; ROMANEE_CONTI,SF-PVC,T0.7,L165,	SNA	2
5	2	RX042	DA63-40171D	GROMMET-SUCT PIPE B; RAIL L20,NBR,-,ID5.5	SA	1
6	2		DA62-03897A	PIPE-CONNECT SUCTION FRE; ROMANEE-CONTI,C	SA	1
7	2	RH026	DA73-10190U	PIPE-CONNECT DISC,B; TD-PJT,CU,C1220T,OD6	SA	2
8	2	RH070	DA97-10848P	ASSY COMP-SUB; WIRE HARNESS-COMP SUB,4TM3	SA	2
8-1	3	RO354	DA34-00004B	RELAY PROTECTOR O/L; 4TM308RFBYY-82	SC	2
8-2	3	RH741	DA39-00154J	ASSY WIRE HARNESS-COMP; ALL,FREE VOLT,UL+	SA	2
9	2		NC4EVA3ALM/E01	COMPRESSOR,BLDC IPM,13.15CC,200-220V,FAN; COMPRESSOR,BLDC IPM,13.15CC,200-220V,FAN	SA	1
10	2		6011-004061	BOLT-HEX; M6,L42.6,SWCH10A	SA	8
11	2	RH732	DA63-02617A	GROMMET COMP; USP05,EPDM,OD27.0,BLACK	SA	8
12	2	RH015	DA63-01866A	COVER RELAY; NORYL,T2.0,SSEC,BLACK,HOOK	SA	1
13	2	RH044	DA62-04309A	DRYER; ALL,C1220T,9	SA	1
14	2	RF113	DA97-08630B	ASSY MOTOR-STEP VALVE; 3-WAY,165mm,POM,MG	SA	1
15	2	RK934	DA39-20389L	ASSY WIRE HARNESS-EARTH; ALL,FREE VOLT,UL	SC	2

No.	Lvl.	Loc.	Material Code	Description & Specification	SNA	Qty.
16	2		MSV460AM1B/E01	COMPRESSOR,BLDC IPM,5.99CC,115/220V,STAT; COMPRESSOR,BLDC IPM,5.99CC,115/220V,STAT	SA	1
17	2	RH015	DA63-06122A	COVER RELAY; MSV,MPPO,T2.0,5V-A,BLACK,M-H	SA	1
18	2		DA60-00280A	FITTING-LOKRING 33; GRAND/SAM/HERMES,11SM	SA	2
19	2		DA60-00281A	FITTING-LOKRING 43; GRAND/SAM/HERMES,11SM	SA	2
20	2		DA27-00047A	COIL-HARMONIC; 3mH,0.46 ohm,69*40*39	SA	1

5. Freezer Door R

Exploded View



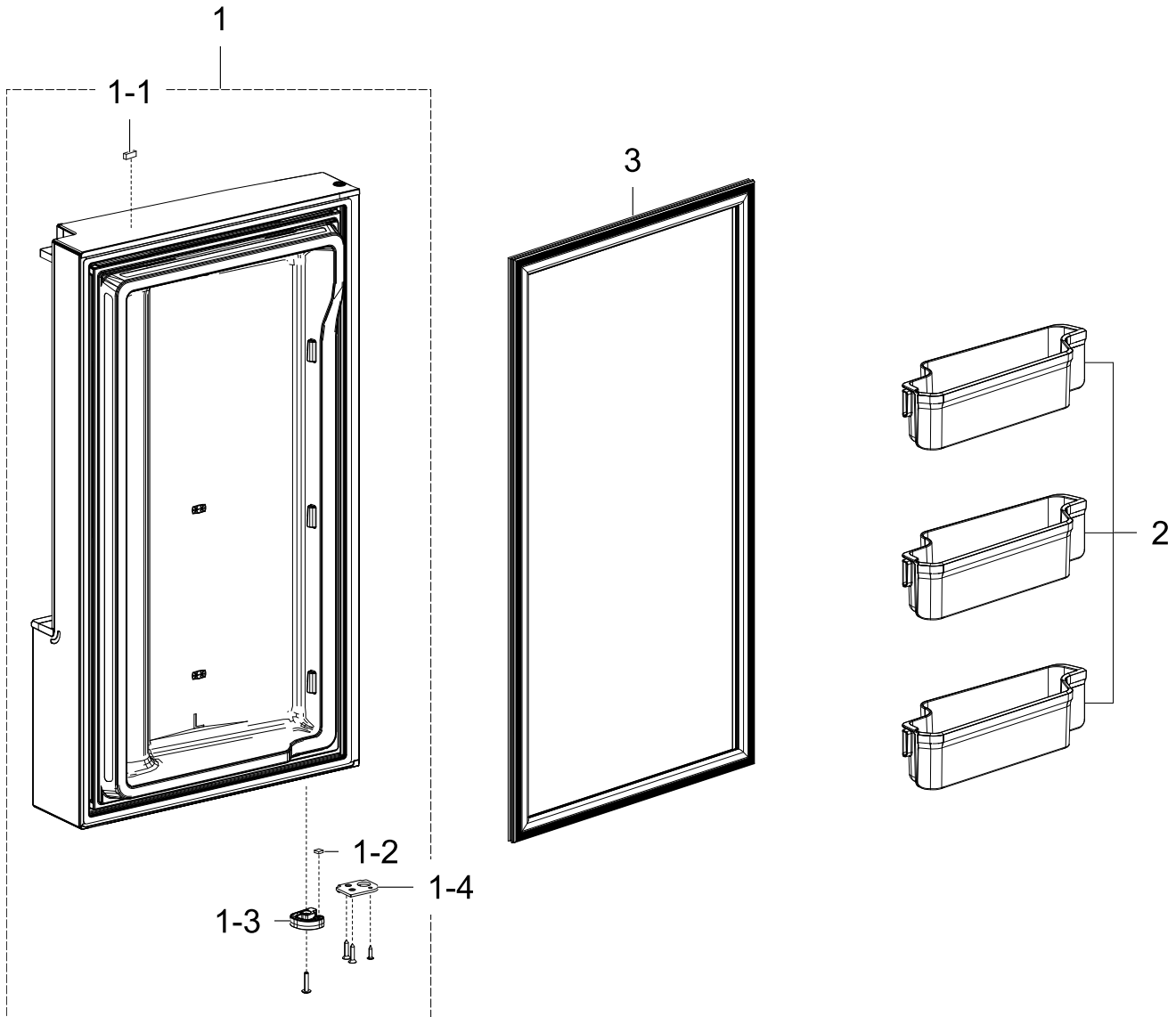
Parts List

No.	Lvl.	Loc.	Material Code	Description & Specification	SNA	Qty.
1	2		DA91-04310C	ASSY DOOR FOAM-FRE RIGHT; REAL STS(430),2	SA	1
1-1	3	RY479	DA61-03769A	MAGNET-A; HERMES,FERRITE,1600Gauss	SA	1
1-2	5	RR067	DA63-40294A	GROMMET-STOPPER; T3XW8XL8,NR,-,-,-,-,-,-,-,-,-,-	SA	1
1-3	5	RU262	DA61-02383E	SUPPORT-DOOR CLOSE; AW-PJT,POM,-,-,-,-,CREA	SA	1
1-4	5	RE439	DA61-08817A	STOPPER DOOR-R; ROMANEE CONTI,SHP1,T2.9,B	SA	1

No.	Lvl.	Loc.	Material Code	Description & Specification	SNA	Qty.
2	2		DA63-07288F	GUARD-FRE RIGHT; ROMANEE-CONTI,GPPS,T3.0,	SA	3
3	2	RU513	DA97-12971E	ASSY-GASKET DOOR FRE; ROMANEE,GRAY	SA	1

6. Freezer Door L

Exploded View



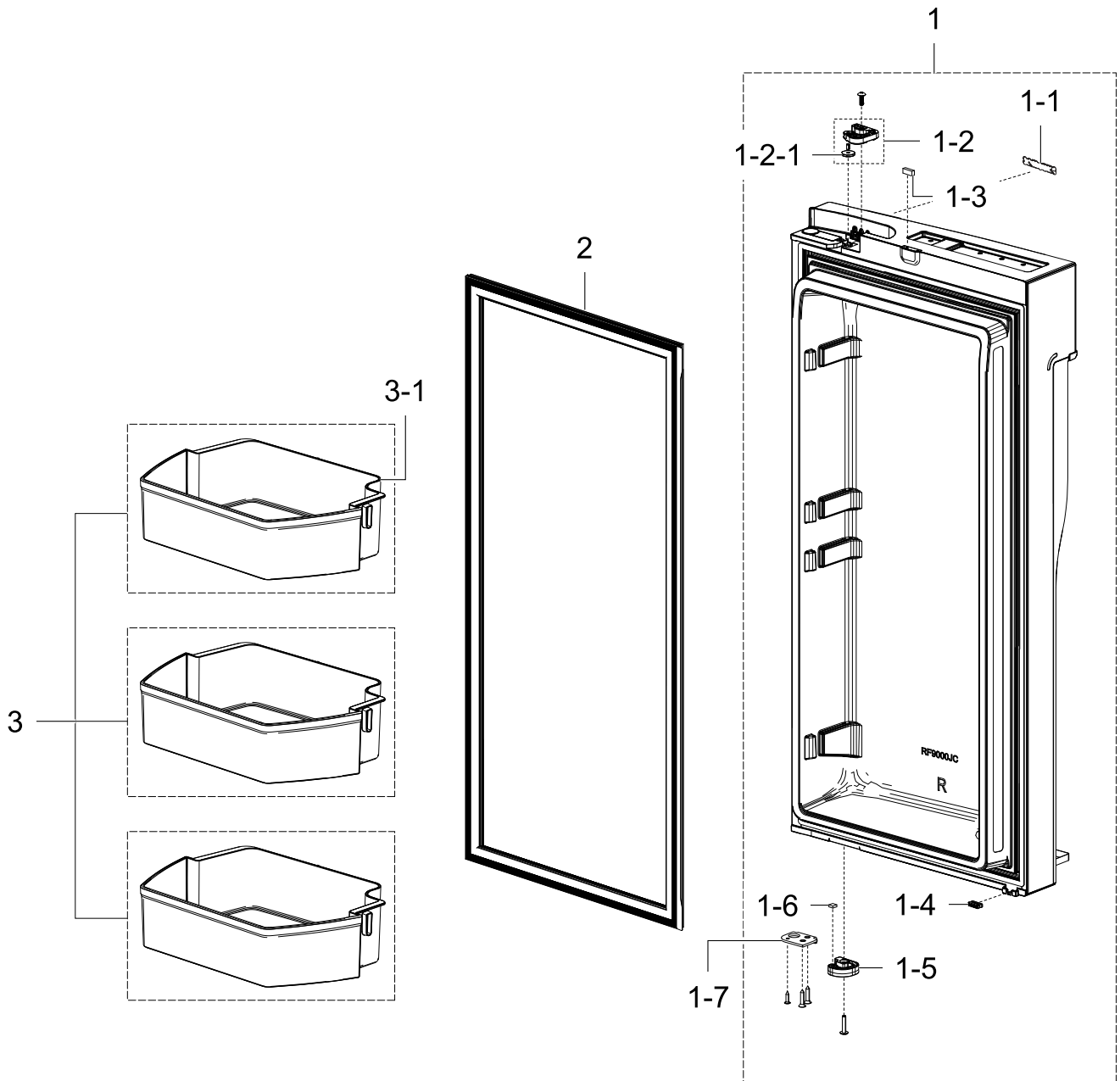
Parts List

No.	Lvl.	Loc.	Material Code	Description & Specification	SNA	Qty.
1	2		DA91-04321C	ASSY DOOR FOAM-FRE LEFT; REAL STS,SILVER	SA	1
1-1	3	RY479	DA61-03769A	MAGNET-A; HERMES,FERRITE,1600Gauss	SA	1
1-2	5	RR067	DA63-40294A	GROMMET-STOPPER; T3XW8XL8,NR,-,-,-,-,-,-,	SA	1
1-3	5	RU262	DA61-02383E	SUPPORT-DOOR CLOSE; AW-PJT,POM,-,-,-,CREA	SA	1
1-4	5	RD070	DA61-08816A	STOPPER DOOR-L; ROMANEE CONTI,SHP1,T2.9,B	SA	1

No.	Lvl.	Loc.	Material Code	Description & Specification	SNA	Qty.
2	2		DA63-07289F	GUARD-FRE LEFT; ROMANEE-CONTI,GPPS,T3.0,T	SA	3
3	2	RU513	DA97-12971E	ASSY-GASKET DOOR FRE; ROMANEE,GRAY	SA	1

7. Fridge Door R

Exploded View



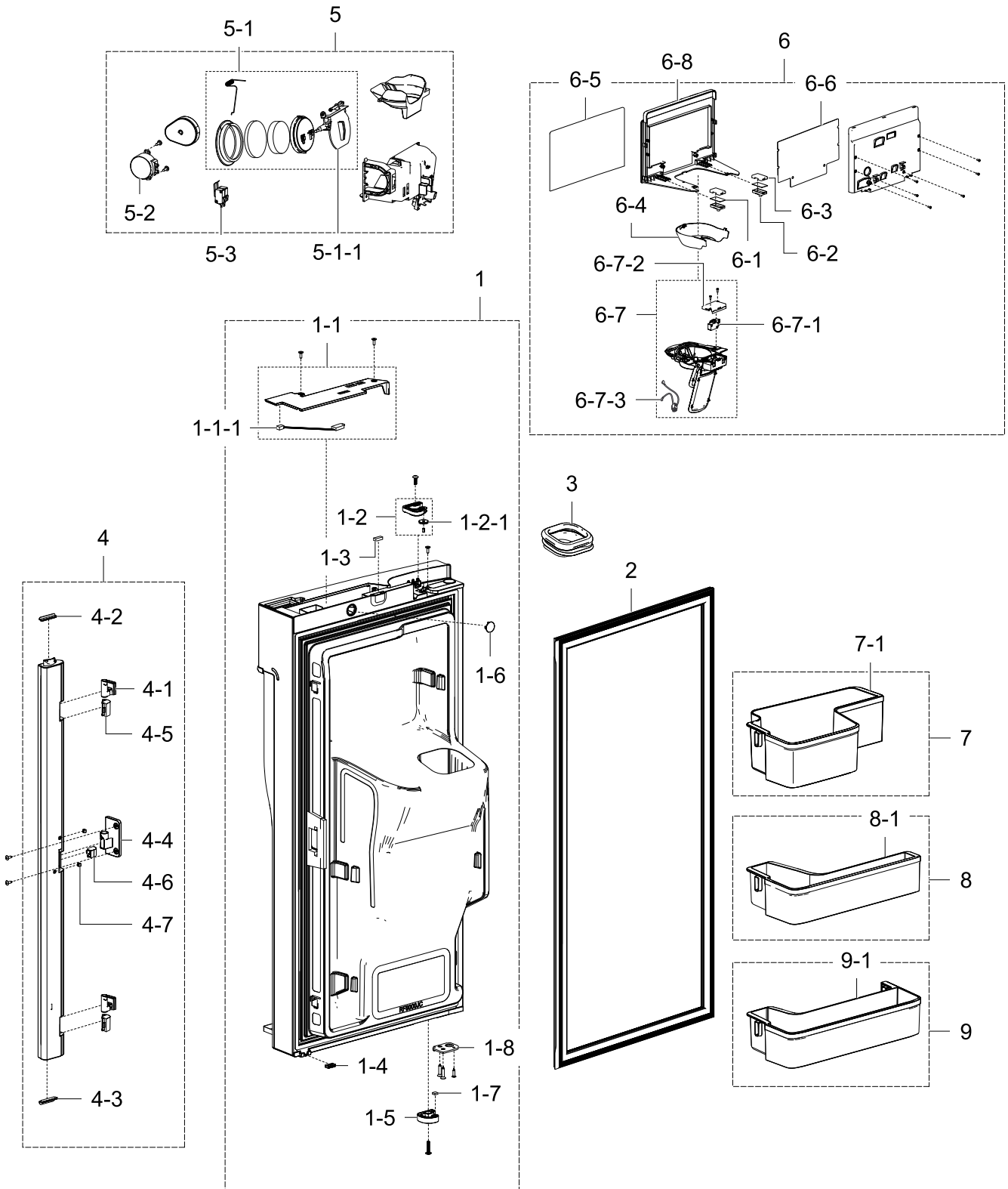
Parts List

No.	Lvl.	Loc.	Material Code	Description & Specification	SNA	Qty.
1	2		DA91-04318C	ASSY DOOR FOAM-REF RIGHT; REAL STS,SILVER	SA	1
1-1	3	RO716	DA64-04021C	MASCOT; ALL,NI,-,T0.06,L90	SA	1
1-2	5	RO172	DA97-12625A	ASSY LEVER-AUTO CLOSE; AW4,POM,BLACK	SA	1
1-2-1	6	RO570	DA66-00440A	ROLLER-AUTO CLOSE; AW-PJT,NY-6,BLACK	SA	1

No.	Lvl.	Loc.	Material Code	Description & Specification	SNA	Qty.
1-3	5	RY479	DA61-03769A	MAGNET-A; HERMES,FERRITE,1600Gauss	SA	1
1-4	5	RD292	DA63-04825A	GROMMET-CHASSIS UP; SRT749,SI,T5.0,W20.0,	SA	1
1-5	5	RU262	DA61-02383E	SUPPORT-DOOR CLOSE; AW-PJT,POM,-,-,-,CREA	SA	1
1-6	5	RR067	DA63-40294A	GROMMET-STOPPER; T3XW8XL8,NR,-,-,-,-,-,	SA	1
1-7	5	RE439	DA61-08817A	STOPPER DOOR-R; ROMANEE CONTI,SHP1,T2.9,B	SA	1
2	2		DA97-13015G	ASSY GASKET-REF; RF9000JC,GRAY	SA	1
3	2		DA97-15560A	ASSY GUARD-REF RIGHT; RF9000JC,HOT STAMPI	SA	3
3-1	3		DA63-08015A	GUARD-REF RIGHT; RF9000JC,GPPS,T3.0,TP BL	SA	3

8. Fridge Door L

Exploded View



Parts List

No.	Lvl.	Loc.	Material Code	Description & Specification	SNA	Qty.
1	2		DA91-04315C	ASSY DOOR FOAM-REF LEFT; STS430,REAL STS,	SA	1
1-1	5	RO708	DA97-13014A	ASSY COVER DISPLAY; ROMANEE CONTI,INOX GR	SA	1
1-1-1	6	RO302	DA32-00034B	SENSOR HUMIDITY; SHT20P,POLARIS,5V,1mA,0	SA	1
1-2	5	RO172	DA97-12625A	ASSY LEVER-AUTO CLOSE; AW4,POM,BLACK	SA	1
1-2-1	6	RO570	DA66-00440A	ROLLER-AUTO CLOSE; AW-PJT,NY-6,BLACK	SA	1
1-3	5	RY479	DA61-03769A	MAGNET-A; HERMES,FERRITE,1600Gauss	SA	1
1-4	5	RD292	DA63-04825A	GROMMET-CHASSIS UP; SRT749,SI,T5.0,W20.0,	SA	1
1-5	5	RU262	DA61-02383E	SUPPORT-DOOR CLOSE; AW-PJT,POM,-,-,-,CREA	SA	1
1-6	5		DA67-03218D	CAP-INTERLOCK SWITCH HOLE; ROMANEE CONTI,	SA	1
1-7	5	RR067	DA63-40294A	GROMMET-STOPPER; T3XW8XL8,NR,-,-,-,-,-,	SA	1
1-8	5	RD070	DA61-08816A	STOPPER DOOR-L; ROMANEE CONTI,SHP1,T2.9,B	SA	1
2	2		DA97-13015G	ASSY GASKET-REF; RF9000JC,GRAY	SA	1
3	2		DA97-13431A	ASSY CAP-CHUTE ICE; ROMANEE CONTI,HIPS,12	SA	1
4	2		DA97-15342A	ASSY FRENCH; RF9000JC,URBAN SILVER	SA	1
4-1	3	RD098	DA61-08305A	HINGE-FRENCH; AW4,PC,COOL-WHITE(SC-02740R	SA	2
4-2	3		DA63-06959A	GASKET-FRENCH UPP; AW4,SI,GRAY	SA	1
4-3	3	RO169	DA63-06842B	GASKET-FRENCH LOW; AW-PJT,SI,GRAY	SA	1
4-4	3	RI239	DA63-07287A	COVER-HEATER FRENCH; ROMANEE CONTI,PC,COO	SNA	1
4-5	3	RE471	DA67-01650A	CAP-CASE FRENCH; AW-PJT,ABS,HG-0760GP,CO	SA	2
4-6	3	RE091	DA67-01701A	CAP-CASE FRENCH MID; AW-PJT,ABS,HG-0760GP	SA	1
4-7	3		DA63-07538A	GROMMET-A; MOUTON12,SI,COOL WHITE,NAME TA	SA	2
5	2		DA97-13829B	ASSY GUIDE ICE ROUTE; AW4_4D,220V	SA	1
5-1	3	RD068	DA97-05368A	ASSY COVER-ICE ROUTE; AW-PJT,-,-,-,-,-,	SA	1
5-1-1	4	RD359	DA63-04647A	COVER-ICE ROUTE A; AW-PJT,ABS+PC,HB,I BLA	SA	1
5-2	3	RF261	DA31-00079C	MOTOR GEARED-DISP; 15.2/18.2 rpm,50/60Hz,	SA	1
5-3	3	RK822	DA34-00011A	SWITCH-MICRO; 125/250V,16A,80gf,SPST-NO	SA	2
6	2		DA97-15112C	ASSY COVER DISPENSER; RF9000JC,GLOBAL, NO	SA	1

Exploded Views and Parts List

No.	Lvl.	Loc.	Material Code	Description & Specification	SNA	Qty.
6-1	3	RK964	DA41-00217A	ASSY PCB KIT; LED DISPENSER LAMP,AD,17*31	SA	2
6-2	3	RU012	DA61-05687A	CASE LAMP-LED; SEDA,GPPS,T1.0,NTR,HIT /	SA	2
6-3	3	RE310	DA63-02446A	COVER-LAMP-LED; EPEL,ABS,-,W39.6,L22.6,-,	SA	2
6-4	3		DA63-07637A	COVER ICE; AW4-4D,ABS,HB,CREAMY STS PEARL	SA	1
6-5	3		DA64-04847A	INLAY-FILM; RF9000JC,PET,BLACK,DISPENSER,	SNA	1
6-6	3		DA92-00662C	ASSY MODULE; ASSY MODULE,RF9000JC,LED WHI	SA	1
6-7	3		DA97-12628C	ASSY LEVER DISPENSER; AW4_4D,CD/NO SPARKL	SA	1
6-7-1	4	RD460	DA34-00011B	SWITCH-MICRO; 125/250V,16A,200gf,SPST-NO	SA	2
6-7-2	4	RE059	DA63-05449A	COVER-SWITCH; AW3,ABS,NATURAL,HG-0760GP	SA	1
6-7-3	4		DA96-00106J	ASSY WIRE HARNESS-DISPENSER; ALL,12VDC,AL	SA	1
6-8	3		DA97-15113C	ASSY COVER DISPENSER-SUB; RF9000JC,GLOBAL	SA	1
7	2		DA97-15558A	ASSY GUARD DISPENSER; RF9000JC,HOT STAMPI	SA	1
7-1	3	RE127	DA63-08012A	GUARD-DISPENSER; RF9000JC,GPPS,T3.0,TP BL	SA	1
8	2		DA97-15562A	ASSY GUARD-REF MIDDLE; RF9000JC,HOT STAMP	SA	1
8-1	3		DA63-08013A	GUARD-REF MIDDLE; RF9000JC,GPPS,T3.0,TP B	SA	1
9	2	RI161	DA97-15559A	ASSY GUARD-REF LOW; RF9000JC,HOT STAMPING	SA	1
9-1	3	RE368	DA63-08014A	GUARD-REF LOW; RF9000JC,GPPS,T3.0,TP BLUE	SA	1