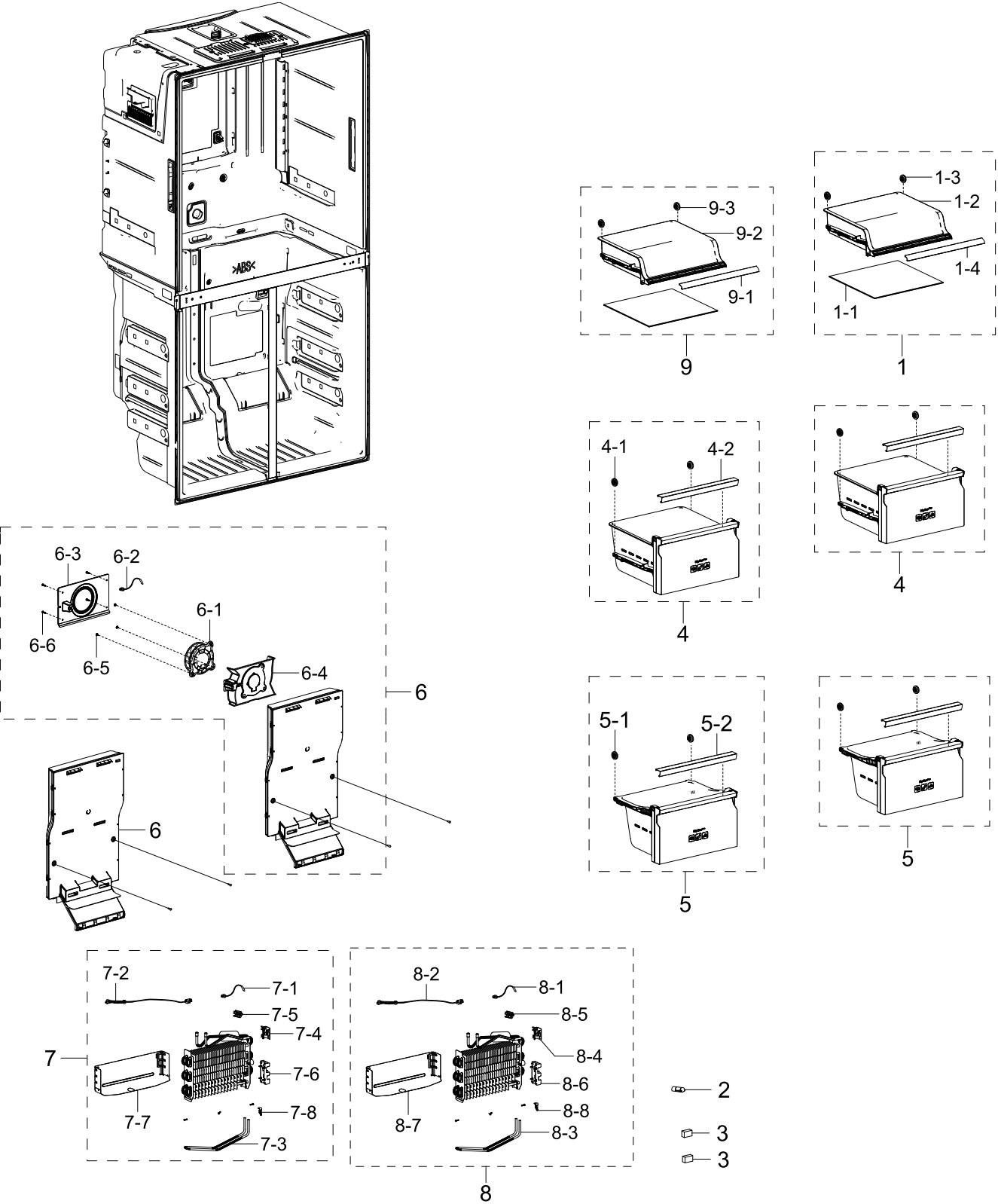


1. Freezer

Exploded View



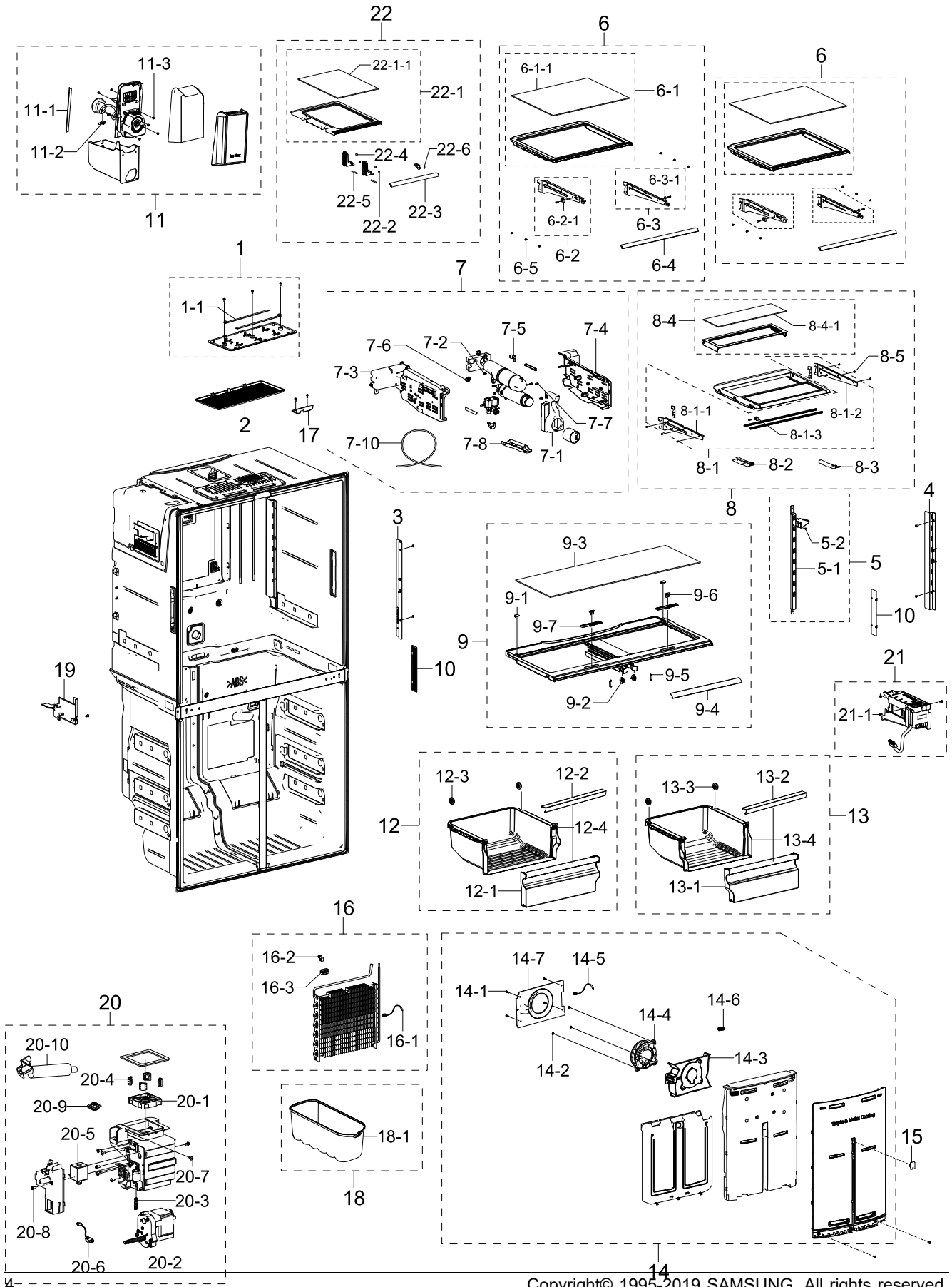
Parts List

No.	Lvl.	Loc.	Material Code	Description & Specification	SNA	Qty.
1	2		DA97-15355A	ASSY CASE BASKET-FRE UP; RF9000JC	SNA	1
1-1	3	RF087	DA97-15357A	ASSY SHELF-FRE LOW; RF9000JC	SA	2
1-2	3		DA61-10367A	CASE BASKET-UP; RF9000JC,HIPS,COOL WHITE,	SA	1
1-3	3		DA97-19988A	ASSY ROLLER; RF9000K,29	SA	2
1-4	3	RF032	DA64-04307B	TRIM-SHELF FRE; ROMANEE,HIPS,S-834S1,COOL	SA	1
2	2		DA63-08943A	GROMMET; BRR9000M,NBR,CAP GROMMET	SA	1
3	2	RW964	DA62-01018A	SEAL CUTT-RUBBER; RR2500K,RUBBER,BLACK,T5	SA	1
4	2		DA97-15359A	ASSY CASE BASKET-MIDDLE; RF9000JC	SA	2
4-1	3		DA97-19988A	ASSY ROLLER; RF9000K,29	SA	4
4-2	3		DA64-04323B	TRIM-TRAY FRE; ROMANEE,HIPS,S834S1,COOL W	SA	2
5	2		DA97-15356A	ASSY CASE BASKET-LOW; RF9000JC	SA	2
5-1	3		DA97-19988A	ASSY ROLLER; RF9000K,29	SA	4
5-2	3		DA64-04323B	TRIM-TRAY FRE; ROMANEE,HIPS,S834S1,COOL W	SA	2
6	2	RF005	DA97-13001B	ASSY COVER EVAP-FRE; ROMANEE-CONTI,PP,COO	SA	2
6-1	3		DA31-00334A	MOTOR BLDC FAN; 12035GE-12M-YT-F1,17757	SA	2
6-2	3	RI139	DA32-00011C	SENSOR TEMP; DKST1329GW,QUEEN,-50 ~ 80	SA	2
6-3	3	RF120	DA61-08425A	CASE-MOTOR FRE; HM12,ABS,LIGHT GRAY,CNTK	SA	2
6-4	3	RI269	DA61-08658B	GUIDE AIR; ROMANEE-CONTI,HIPS,CNTK H304,G	SNA	2
6-5	3	RR012	6002-000471	SCREW-TAPPING; TH,+,-,1,M4,L12,PASS,STS30	SA	6
6-6	3	RR334	6002-001204	SCREW-TAPPING; TH,+,-,1,M4,L16,PASS,STS43	SA	8
7	2	RF011	DA96-01021D	ASSY EVAP-FRE; RF9000K,Fin Tube,230V,120W	SA	1
7-1	3		DA32-10104V	SENSOR TEMP; DKST1329GW,DOUBLE_INSULATION	SA	1
7-2	3	RR036	DA47-00301D	THERMO FUSE-ASSY; AC250V,10A,109~110°C,S.O	SA	1
7-3	3		DA47-00318J	HEATER METAL SHEATH; AC230V,Romancee Conti	SA	1
7-4	3		DA71-20265A	FIXER-THERMO FUSE; RF9000M,HDPE,T2,JH910	SNA	1
7-5	3	RK213	DA61-03683A	FIXER-SENSER; AW-PJT,PP,NATURAL,V-0	SA	1
7-6	3	RU375	DA61-06700A	FIXER-HEATER WIRE REF; HM/GGH/HAEMIL,PP,T	SA	2
7-7	3	RF169	DA61-08675A	PLATE-DRAIN EVAP FRE; ROMANEE CONTI,AI,T0	SA	1
7-8	3		DA61-12385A	PLATE HEATER; BRF8000M,AI,T0.7,A1100P-H14	SA	1
8	2	RF011	DA96-00987C	ASSY EVAP-FRE; RF9000K,Fin Tube,230V,120W	SA	1
8-1	3		DA32-10104V	SENSOR TEMP; DKST1329GW,DOUBLE_INSULATION	SA	1
8-2	3	RR036	DA47-00301D	THERMO FUSE-ASSY; AC250V,10A,109~110°C,S.O	SA	1
8-3	3		DA47-00318J	HEATER METAL SHEATH; AC230V,Romancee Conti	SA	1
8-4	3		DA71-20265A	FIXER-THERMO FUSE; RF9000M,HDPE,T2,JH910	SNA	1
8-5	3	RK213	DA61-03683A	FIXER-SENSER; AW-PJT,PP,NATURAL,V-0	SA	1
8-6	3	RU375	DA61-06700A	FIXER-HEATER WIRE REF; HM/GGH/HAEMIL,PP,T	SA	2

No.	Lvl.	Loc.	Material Code	Description & Specification	SNA	Qty.
8-7	3	RF169	DA61-08675A	PLATE-DRAIN EVAP FRE; ROMANEE CONTI,AI,T0	SA	1
8-8	3		DA61-12385A	PLATE HEATER; BR8000M,AI,T0.7,A1100P-H14	SA	1
9	2		DA97-15355C	ASSY CASE BASKET-FRE UP; RF9000JC,SILVER	SA	1
9-1	3	RF032	DA64-04307B	TRIM-SHELF FRE; ROMANEE,HIPS,S-834S1,COOL	SA	1
9-2	3		DA61-10367A	CASE BASKET-UP; RF9000JC,HIPS,COOL WHITE,	SA	1
9-3	3		DA97-19988A	ASSY ROLLER; RF9000K,29	SA	2

2. Fridge

Exploded View



Parts List

No.	Lvl.	Loc.	Material Code	Description & Specification	SNA	Qty.
1	2	RI246	DA97-12606B	ASSY CASE LAMP-REF; AW4, LONG LED	SA	1
1-1	3		DA41-00676K	ASSY LAMP LED; 5,CEM-1,240*10,WHITE,SMAW2	SA	2
2	2	RG025	DA63-07816A	COVER LAMP-REF; OPUS1-14,GPPS,HB,TP BLUE,	SA	1
3	2	RI300	DA61-08693A	ANGLE-SHELF REF SIDE L; GI-SGCC,2.5,COOL	SA	1
4	2	RI301	DA61-08632A	ANGLE-SHELF REF SIDE R; GI-SGCC,2.5,COOL-	SA	1
5	2		DA97-15620B	ASSY ANGLE SHELF-REF MIDDLE; RF9000JC,INO	SA	1
5-1	3		DA61-08264C	ANGLE SHELF-REF MIDDLE; GI-SGCC,T2.5,INOX	SA	1
5-2	3	RR128	6002-001397	SCREW-TAPPING; TH,+,-,B,M4,L8,ZPC(WHT),SW	SA	1
6	2	RI037	DA97-15368B	ASSY SHELF-REF; RF9000JC	SA	2
6-1	3		DA67-03971A	SHELF-REF FIX; RF9000JC,PP,COOL WHITE	SNA	2
6-1-1	4		DA01-00888A	GLASS-SHELF REF FIX; GLASS	SNA	2
6-2	3		DA61-09194A	HANGER-LEFT; AW4-4D,CD,EGI-SECC,COOL WHIT	SA	2
6-2-1	4	RO337	DA61-09550A	FIXER; AW2-14,POM,WHITE,HB,K-300	SA	2
6-3	3		DA61-09193A	HANGER-RIGHT; AW4-4D,CD,EGI-SECC,COOL WHI	SA	2
6-3-1	4	RO337	DA61-09549A	FIXER; AW2-14,POM,WHITE,HB,K-300	SA	2
6-4	3	RI079	DA64-04348A	TRIM-SHELF REF; ROMANEE,ABS,COOL WHITE(SC	SNA	2
6-5	3	RR128	6002-001397	SCREW-TAPPING; TH,+,-,B,M4,L8,ZPC(WHT),SW	SA	12
7	2		DA97-15417A	ASSY CASE WATER FILTER; T9000-CD,220V	SA	1
7-1	3	RI537	DA63-06885A	COVER-FILTER TANK; AW4,HIPS,W72.4,L167.7,	SA	1
7-2	3	RR094	DA61-04522A	CLIP-FITTING LOCK; AW,POM	SA	3
7-3	3		DA61-09242A	CASE FILTER-LEFT; AW4-CD,HIPS,NATURAL	SNA	1
7-4	3		DA61-09243A	CASE FILTER-RIGHT; AW4-CD,HIPS,NATURAL	SNA	1
7-5	3		DA62-02414A	TUBE-FITTING L; POM,DARK HOLDER GRAY,1/4i	SA	1
7-6	3		DA62-03103A	TUBE-FITTING L; AW33,POM,GRAY	SA	1
7-7	3	RR008	6002-000213	SCREW-TAPPING; TH,+,-,M4,L12,ZPC(WHT),SWR	SA	6
7-8	3	RI538	DA63-05407A	TRAY-WATER FILTER; AW3,HIPS,NATURAL	SA	1
7-10	3	RY760	DA62-01368F	PIPE-WATER LINE; Dispenser Model,PE,OD6.3	SA	2
8	2		DA97-15363A	ASSY SHELF QUICK SPACE; RF9000JC	SA	1
8-1	3		DA97-13832A	ASSY SHELF HANGER-RIGHT; AW4-CD	SA	1
8-1-1	4		DA61-09197A	HANGER-LOW LEFT; AW4-CD,EGI-SECC,T2.0	SA	1
8-1-2	4		DA61-09195A	HANGER-LOW RIGHT; AW4-CD,EGI-SECC,T2.0	SA	1
8-1-3	4	RO337	DA61-09550A	FIXER; AW2-14,POM,WHITE,HB,K-300	SA	1
8-2	3		DA61-09300A	SUPPORT RAIL-LEFT; AW4-4D,ABS,HG-0760GP,C	SA	1
8-3	3		DA61-09299A	SUPPORT RAIL-RIGHT; AW4-4D,ABS,HG-0760GP,	SA	1
8-4	3		DA67-03698A	SHELF-MIDDLE; AW4-4D,PP,COOL WHITE,AW-CD	SA	1
8-4-1	4		DA01-00894A	GLASS-SHELF REF MIDDLE; GLASS	SNA	1
8-5	3	RR128	6002-001397	SCREW-TAPPING; TH,+,-,B,M4,L8,ZPC(WHT),SW	SA	10

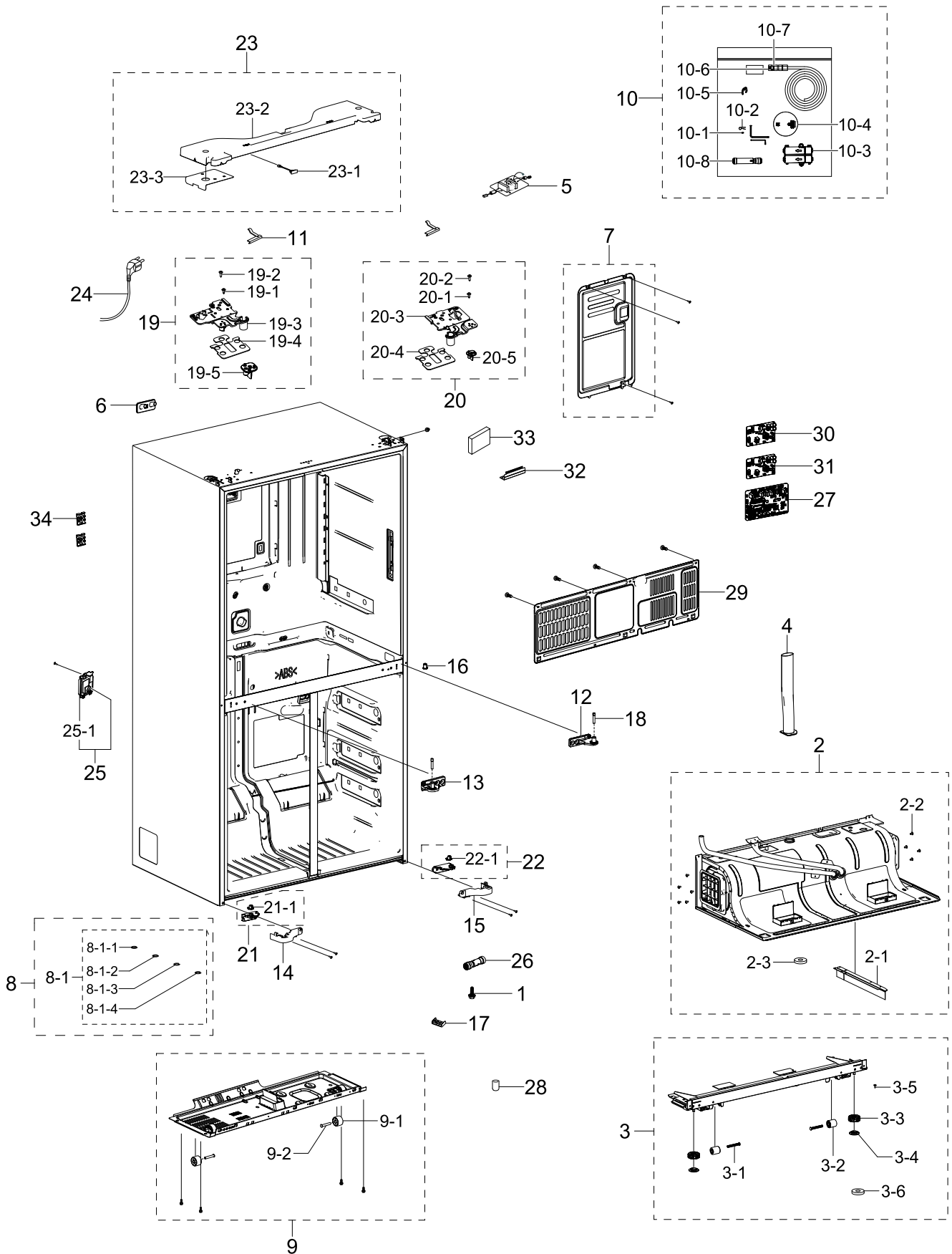
Exploded Views and Parts List

No.	Lvl.	Loc.	Material Code	Description & Specification	SNA	Qty.
9	2	RI543	DA97-15360A	ASSY COVER VEG-REF; RF9000JC,SILVER TRIM	SA	1
9-1	3	RI208	DA61-03166A	FIXER-COVER VEG; AW,POM,WHITE,HB,K300	SA	2
9-2	3		DA97-15997A	ASSY ROLLER; RF9000JC,24	SA	2
9-3	3	RO868	DA01-00891A	GLASS; GLASS	SNA	1
9-4	3	RF032	DA64-04307D	TRIM-SHELF FRE; ROMANEE,HIPS,S-834S1,COOL	SA	1
9-5	3		DA61-10523A	CASE LOCK-A; RF9000JC,POM,Natural,K300	SA	2
9-6	3	RI262	DA64-04173A	KNOB-HUMIDITY; AW4,ABS,NATURAL,SILVER SPR	SA	2
9-7	3	RR164	DA66-00718A	LEVER-HUMIDITY; AW3,HIPS,COOL WHITE(SC-03	SA	2
10	2		DA63-07276A	COVER LAMP-LED SIDE; AW4,GPPS,HB,TP BLUE,	SA	2
11	2	RZ003	DA97-20157A	ASSY TRAY ICE; AW F/L CD,137,350,WHITE	SA	1
11-1	3		DA63-07185A	GASKET-TRAY ICE BUCKET; AW4,PVC-SF,WHITE	SA	1
11-2	3	RM039	DA61-20124D	SPRING ETC-DISPENSER; AW-BEST-GE-OEM,STS3	SA	1
11-3	3	RR012	6002-000471	SCREW-TAPPING; TH,+,-,1,M4,L12,PASS,STS30	SA	6
12	2		DA97-13842E	ASSY CASE VEG-LEFT; RF9000JC	SA	1
12-1	3		DA63-07552B	COVER VEG-LEFT; RF9000JC,GPPS,HB,TP BLUE,	SNA	1
12-2	3		DA64-03862T	TRIM BASKET-LEFT; RF9000JC,HIPS,S834S1,CO	SNA	1
12-3	3		DA97-19988A	ASSY ROLLER; RF9000K,29	SA	2
12-4	3		DA61-09161A	CASE VEG-REF LEFT; AW4-4D,GPPS,NATURAL,HF	SNA	1
13	2		DA97-13841E	ASSY CASE VEG-RIGHT; RF9000JC	SA	1
13-1	3		DA63-07553B	COVER VEG-RIGHT; RF9000JC,GPPS,TP BLUE,G-	SNA	1
13-2	3		DA64-03862S	TRIM BASKET-RIGHT; RF9000JC,HIPS,S834S1,C	SNA	1
13-3	3		DA97-19988A	ASSY ROLLER; RF9000K,29	SA	2
13-4	3		DA61-09160A	CASE VEG-REF RIGHT; AW4-4D,GPPS,NATURAL,H	SNA	1
14	2	RI008	DA97-15409N	ASSY COVER EVAP-REF; RF9000JC,PLATE COOLI	SA	1
14-1	3	RR334	6002-001204	SCREW-TAPPING; TH,+,-,1,M4,L16,PASS,STS43	SA	4
14-2	3	RR012	6002-000471	SCREW-TAPPING; TH,+,-,1,M4,L12,PASS,STS30	SA	3
14-3	3	RI269	DA61-08658B	GUIDE AIR; ROMANEE-CONTI,HIPS,CNTK H304,G	SNA	1
14-4	3		DA31-00334A	MOTOR BLDC FAN; 12035GE-12M-YT-F1,17757	SA	1
14-5	3	RI139	DA32-00011C	SENSOR TEMP; DKST1329GW,QUEEN,-50 ~ 80	SA	1
14-6	3		DA63-07761A	GROMMET FIXER; RF-H920G,RUBBER,BLACK	SA	1
14-7	3	RF120	DA61-08425A	CASE-MOTOR FRE; HM12,ABS,LIGHT GRAY,CNTK	SA	1
15	2		DA97-15412A	ASSY CAP ANGLE; RF9000JC,HOT STAMPING	SA	1
16	2	RI016	DA96-01002A	ASSY EVAP-REF; ROMANEE CONTI_DISP,FIN TUB	SA	1
16-1	3		DA32-10104W	SENSOR TEMP; DKST1329GW,DOUBLE_INSULATION	SA	1
16-2	3	RR006	DA61-06013A	FIXER-WIRE; AW3-PJT,PP,NTR	SC	1
16-3	3	RK213	DA61-03683A	FIXER-SENSER; AW-PJT,PP,NATURAL,V-0	SA	1
17	2	RI211	DA61-04285A	GUIDE-FRENCH; OPUS1-14,ABS+PC,HB,HR-1008B	SA	1
18	2	RG125	DA97-02806F	ASSY TRAY-EGG; ROSSO,TP BLUE	SC	1
18-1	3	RE355	DA63-02492A	TRAY EGG; EPEL,GPPS,T2.5,H120.0,TP BLUE,T	SC	1

No.	Lvl.	Loc.	Material Code	Description & Specification	SNA	Qty.
19	2		DA63-07496A	COVER AIR-WIRE HARNESS ICE; AW4 CD,HIPS,C	SA	1
20	2	RF222	DA97-12540M	ASSY CASE AUGER MOTOR; RF9000JC,230V 50Hz	SA	1
20-1	3	RW547	DA31-00070E	MOTOR BLDC FAN; 66mm boxfan motor,3600rpm	SA	1
20-2	3	RF434	DA31-00105L	MOTOR GEARED AC AUGER; ISG3240SSH-1 / ORM	SA	1
20-3	3	RR109	DA61-20140A	SPRING ETC-SOLENOID; SR-S7180,STS304,ID7.	SA	1
20-4	3	RS711	DA63-02513A	GROMMET-FAN; USP,NBR	SA	4
20-5	3	RO088	DA74-40151F	VALVE COIL SOLENOID; AC220-240V,-,SOLENOI	SA	1
20-6	3		DA96-00682E	ASSY WIRE HARNESS-AUGER; AW4-4D COUNTER D	SA	1
20-7	3	RR012	6002-000471	SCREW-TAPPING; TH,+,-,1,M4,L12,PASS,STS30	SA	6
20-8	3	RR110	DA60-00001B	SCREW-SPECIAL; HEX,M10,L6.3,PASS,STS304	SA	3
20-9	3	RM031	DA71-00163B	FIXER-NUT; GUGGENHEIM,STS420,T1,J2,BODY:S	SA	1
20-10	3		DA97-19898A	ASSY DRAIN HOSE-LOW; RF9000K,AUGER MOTOR	SA	1
21	2	RM061	DA97-18859B	ASSY ICE MAKER; AW2-CD14,230V	SA	1
21-1	3	RR012	6002-000471	SCREW-TAPPING; TH,+,-,1,M4,L12,PASS,STS30	SA	3
22	2	RI492	DA97-15362A	ASSY SHELF FOLDER; RF9000JC	SA	1
22-1	3		DA67-03970A	SHELF FOLDER; RF9000JC,PP,COOL WHITE	SNA	1
22-1-1	4		DA01-00887A	GLASS-SHELF REF FOLD; GLASS	SA	1
22-2	3		DA61-03705A	SPRING ETC-HINGE SHELF; AW BEST,STS304,Φ0	SA	2
22-3	3	RI079	DA64-04348C	TRIM-SHELF REF; ROMANEE,ABS,WHITE,245.5	SA	1
22-4	3		DA66-00482A	ROLLER-HINGE-SHELF; AW-PJT,POM,6,WHT	SA	2
22-5	3		DA66-00483A	SHAFT-HINGE-SHELF; AW-PJT,STS304,38,4.0,-	SA	2
22-6	3	RR128	6002-001397	SCREW-TAPPING; TH,+,-,B,M4,L8,ZPC(WHT),SW	SA	1

3. Cabinet

Exploded View



Parts List

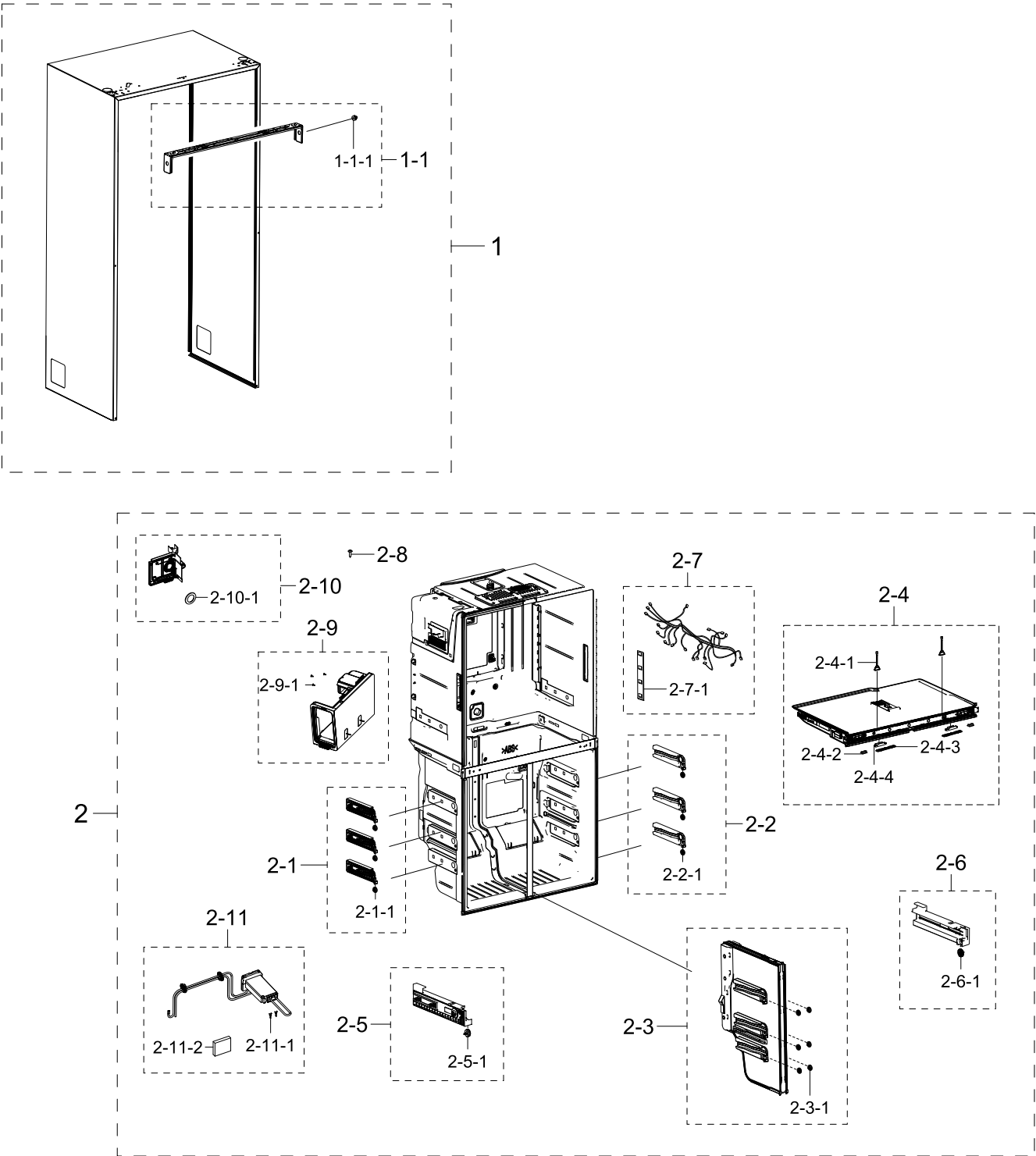
No.	Lvl.	Loc.	Material Code	Description & Specification	SNA	Qty.
1	2	RK537	DA60-10123E	BOLT-HEX; M6,L19,ZPC(WHT),SWRCH18A,HH Hea	SA	4
2	2		DA97-15375F	ASSY CABI BOTTOM-REAR; RF9000JC,DISPENSER	SNA	1
2-1	3		DA64-05373A	TRIM BLADE; AW3-14,PVC,GRAY	SA	1
2-2	3	S0025	6002-000239	SCREW-TAPPING; TH,+,NO,2S,M4,L8,ZPC(WHT),	SA	1
2-3	3	RU385	DA72-00238B	SEAL-DRAIN HOSE; ARAM10,PU FOAM,T10,30	SNA	1
3	2		DA97-15376A	ASSY CABI BOTTOM-FRONT; RF9000JC	SNA	1
3-1	3	RH012	DA61-01920A	FIXER-CASTER; ZPC2,SWRCH10A,OD8.0,L58	SA	2
3-2	3	RO360	DA61-04702A	CASTER-FRONT; AW-PJT,PP,BLACK,PP(M/B 0103	SA	2
3-3	3	RO100	DA61-07972B	FOOT-FRONT; POLARIS,PP,BLACK,INSERT NUT,	SA	2
3-4	3	RO049	DA61-07973B	FOOT; POLARIS,PP,BLACK,PP_S	SA	2
3-5	3	RR008	6002-000213	SCREW-TAPPING; TH,+,1,M4,L12,ZPC(WHT),SWR	SA	2
3-6	3	RU385	DA72-00238B	SEAL-DRAIN HOSE; ARAM10,PU FOAM,T10,30	SNA	2
4	2		DA97-14866A	ASSY GUIDE HOSE-BOTTOM; AW3-14,FOAM PE	SNA	1
5	2	RH069	DA27-00043A	COIL FILTER; 4.0mH, 14.0mH,60*82mm,AC 5A,	SA	1
6	2		DA97-08494B	ASSY COVER-FIXER WATER; OPUS1,ASSY	SNA	1
7	2		DA97-13181F	ASSY COVER PBA-MAIN; RH9000K,Adhesive PU	SA	1
8	2		DA98-01606J	ASSY MANUAL; RF9000JC,RF56*,EU,English	SNA	1
8-1	3		DA99-04158A	ASSY ACCESSORY; ROMANEE CONTI,ADJUSTMENT	SA	1
8-1-1	4	RO440	DA60-00314A	FASTENER-HINGE; ROMANEE CONTI,POM,BLACK	SA	1
8-1-2	4	RO440	DA60-00314B	FASTENER-HINGE; ROMANEE CONTI,POM,T1.5,BL	SA	1
8-1-3	4	RO440	DA60-00314C	FASTENER-HINGE; ROMANEE CONTI,POM,T2.0,BL	SC	1
8-1-4	4	RO440	DA60-00314D	FASTENER-HINGE; ROMANEE CONTI,POM,T2.5,BL	SA	1
9	2		DA97-12557H	ASSY CHASSIS COMP; RF8000MC,HANDLE, FDR	SA	1
9-1	3	RR242	DA61-04703A	CASTER-REAR; AW-PJT,PP,BLACK,PP M/B(0103-	SA	2
9-2	3	RX039	DA66-00649B	SHAFT-CASTER; POLARIS,MSWR10,L44,ID8.0,OD	SA	2
10	2	RI069	DA97-11752E	ASSY INSTALL-FILTER; AW2,AW3(GLOBAL),NO W	SC	1
10-1	3	RR008	6002-000213	SCREW-TAPPING; TH,+,1,M4,L12,ZPC(WHT),SWR	SA	9
10-2	3	RW963	DA65-20110B	CABLE CLAMP; PA66	SA	8
10-3	3	RU304	DA63-04744A	COVER-CHECK VALVE; HM,PP,HB,GRAY,CNTK-P-1	SA	1
10-4	3	RC001	DA62-01329A	PIPE-CONNECT WATER PACKING; ET-PJT,BRASS,	SA	1
10-5	3	RR094	DA61-04522A	CLIP-FITTING LOCK; AW,POM	SA	2
10-6	3	RR072	DA74-00070B	VALVE-FITTING NUT; A-TOP,C3604,gold	SA	2
10-7	3		DA60-00336A	FITTING TUBE; POM,1/4	SNA	1
10-8	3	RO207	DA62-01378B	VALVE-FITTING PU; AT06,C3604	SA	1
11	2	RI305	DA61-04932B	FIXER-HINGE; PO-SPHC,T3,Zn coating	SA	2
12	2		DA61-13156A	HINGE-MIDDLE RIGHT; RF9000N,Zn,ZNDC2,ZNDC	SA	1
13	2		DA61-13159A	HINGE-MIDDLE LEFT; RF9000N,Zn,ZNDC2,ZNDC2	SA	1

Exploded Views and Parts List

No.	Lvl.	Loc.	Material Code	Description & Specification	SNA	Qty.
14	2		DA63-07232A	COVER LEG-FRONT LEFT; ROMANEE CONTI,PP,HB	SA	1
15	2		DA63-07233A	COVER LEG-FRONT RIGHT; ROMANEE CONTI,PP,H	SA	1
16	2		DA63-07306A	GROMMET HINGE-MIDDLE; ROMANEE CONTI,POM,B	SA	2
17	2		DA61-12488A	FIXER COVER; AW3-14,HIPS,NATURAL,S834S1	SA	2
18	2	RO763	DA66-00987A	SHAFT HINGE-MID; ROMANEE CONTI,SWRCH10A,Z	SA	2
19	2		DA97-19422A	ASSY HINGE-UP LEFT; RF9000N,T3,121.6,135.	SA	1
19-1	3	RR008	6002-000213	SCREW-TAPPING; TH,+,1,M4,L12,ZPC(WHT),SWR	SA	1
19-2	3	RR009	6002-000215	SCREW-TAPPING; TH,+,1,M4,L16,ZPC(WHT),SWR	SA	1
19-3	3		DA61-13155A	HINGE-UP LEFT; RF9000N,PO-SPHC,T3,ELETROD	SNA	1
19-4	3	RK777	DA63-50192A	SHIM-HINGE UPP; PVC,T1.0,T1.0	SA	1
19-5	3	RO175	DA66-00950A	CAM-AUTO CLOSE L; AW4,POM,BLACK	SA	1
20	2		DA97-19423A	ASSY HINGE-UP RIGHT; RF9000N,T3,105.4,135	SA	1
20-1	3	RR008	6002-000213	SCREW-TAPPING; TH,+,1,M4,L12,ZPC(WHT),SWR	SA	1
20-2	3	RR009	6002-000215	SCREW-TAPPING; TH,+,1,M4,L16,ZPC(WHT),SWR	SA	1
20-3	3		DA61-13154A	HINGE-UP RIGHT; RF9000N,PO-SPHC,T3,ELECTR	SNA	1
20-4	3	RK777	DA63-50192A	SHIM-HINGE UPP; PVC,T1.0,T1.0	SA	1
20-5	3	RO573	DA66-00951A	CAM-AUTO CLOSE R; AW4,POM,BLACK	SA	1
21	2		DA97-19473A	ASSY HINGE-LOW LEFT; RF9000N,BLACK PAINTI	SA	1
21-1	3	RO116	DA63-07231A	GROMMET HINGE; ROMANEE CONTI,POM,BLACK	SA	1
22	2		DA97-19474A	ASSY HINGE-LOW RIGHT; RF9000N,BLACK PAINT	SA	1
22-1	3	RO116	DA63-07231A	GROMMET HINGE; ROMANEE CONTI,POM,BLACK	SA	1
23	2	RO133	DA97-13703D	ASSY TOP TABLE; ROMANEE CONTI,INOX GRAY	SA	1
23-1	3	RY001	DA34-00043K	SWITCH REED; UL1007 AWG 22,280(680),25045	SA	1
23-2	3	RO930	DA64-04477B	TOP TABLE; ROMANEE CONTI,ABS,INOX GRAY,HG	SA	1
23-3	3	RO250	DA61-08227A	PLATE-COVER HINGE; AW4,GA-SGCC,T0.3	SA	1
24	2		3903-000805	POWER CORD-AT; H05VV-F 3x0.75mm2,BLK,GB3F	SA	1
25	2		DA97-08413D	ASSY COVER TUBE FILTER; AW,PP,IEC	SA	1
25-1	3		DA63-05403C	COVER FILTER; AW3,PP,T2.5,INNER GRAY,V-1	SA	1
26	2	RO518	DA62-03914A	TUBE-FITTING; PP,ID1/4	SA	1
27	1		DA94-04405N	ASSY PCB EEPROM; 0x86,D601,D603,D608,RF90	SA	1
28	2	RU302	DA73-00211A	RUBBER-CAP HOSE; i4-PJT,SILICON,GRAY	SA	1
29	2	RH001	DA97-12749J	ASSY COVER COMP; POLARIS,GL-SAZCC,T0.25,a	SA	1
30	1		DA92-00763A	ASSY PCB INVERTER; INVERTER,RF9000K,163*9	SA	1
31	1		DA92-00486A	ASSY MODULE; STD #8 SMPS,FOOD SHOWCASE,45	SA	1
32	2		DA61-10371A	PLATE-UP FRONT; Romanee Conti,Al,T0.3,ALD	SNA	1
33	2	RW964	DA72-60040Y	SEAL CUTT-RUBBER; W2-05,RUBBER,BLACK,T8,W	SA	1
34	3	RO337	DA61-11296A	FIXER; AW3-14,HIPS,NATURAL,S834S1	SA	2

4. Cabinet-2

Exploded View

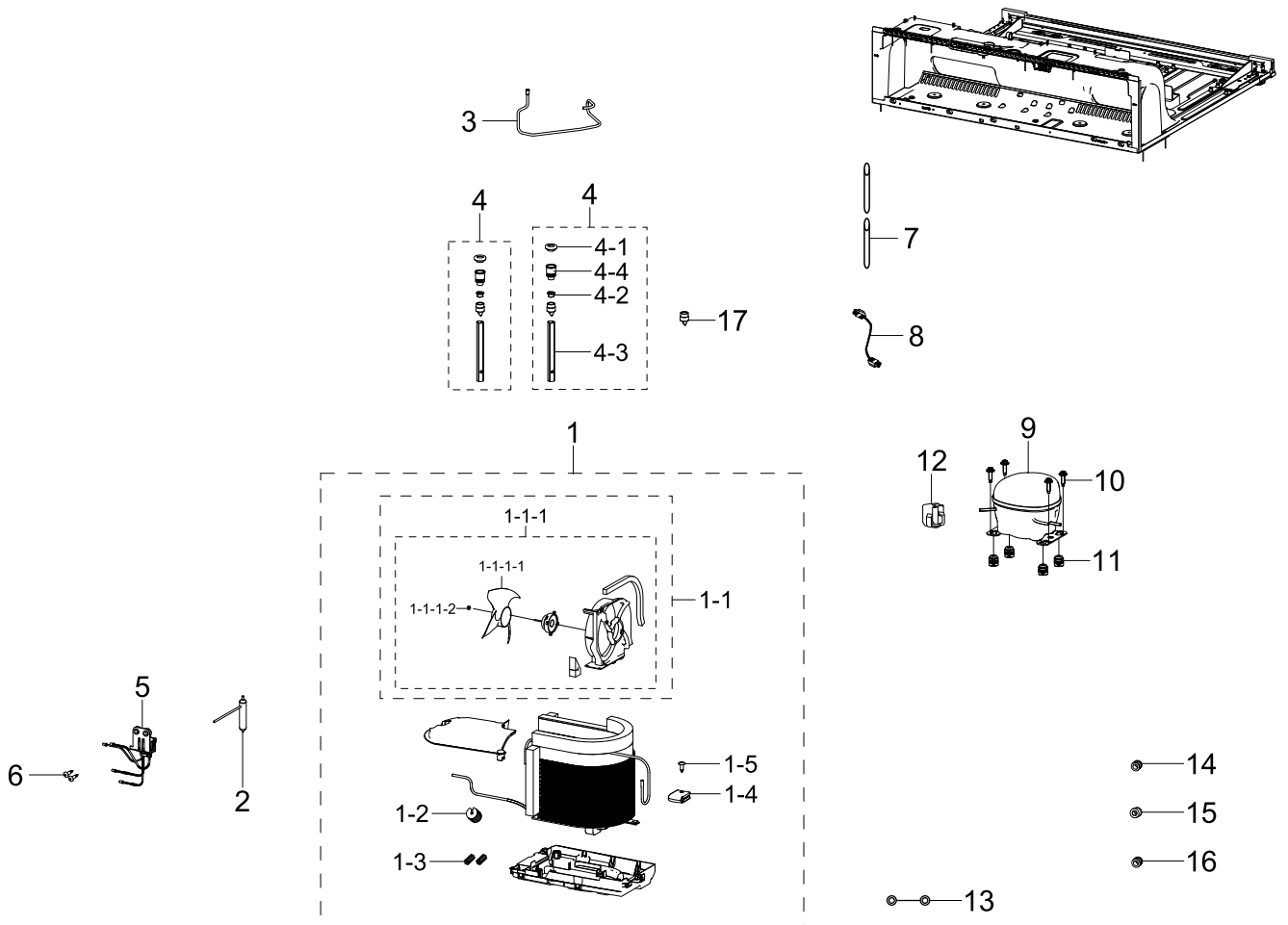


Parts List

No.	Lvl.	Loc.	Material Code	Description & Specification	SNA	Qty.
1	2		DA97-15569G	ASSY CABI FRAME; RF9000JC,PCM , SIDE VIP	SNA	1
1-1	3		DA97-06920Q	ASSY REINF CABI-FLANGE UP; AW-PJT	SNA	1
1-1-1	4	RO256	6011-001694	BOLT-ETC; M8,L14.1(3.4),FE-FZB,SCM435,3-B	SNA	1
2	2		DA94-02020Q	ASSY LINER; URBAN SILVER,SPI N,A+,DISP Y,	SNA	1
2-1	3		DA97-15419A	ASSY RAIL-LEFT; RF9000JC	SNA	3
2-1-1	4		DA97-19988A	ASSY ROLLER; RF9000K,29	SA	3
2-2	3		DA97-15420A	ASSY RAIL-RIGHT; RF9000JC	SNA	3
2-2-1	4		DA97-19988A	ASSY ROLLER; RF9000K,29	SA	3
2-3	3		DA97-15343C	ASSY PARTITION-FRE V; RF9000JC,K150	SNA	1
2-3-1	4		DA97-19988A	ASSY ROLLER; RF9000K,29	SA	6
2-4	3		DA97-15418B	ASSY PARTITION-UP; RF9000JC,Slim Hinge Ty	SNA	1
2-4-1	4	RY001	DA34-00043J	SWITCH REED; UL1007 AWG 22,50mm	SA	2
2-4-2	4		DA41-00676J	ASSY LAMP LED; 2,FR-4,20*30,WHITE,SMAW250	SA	2
2-4-3	4	RU017	DA63-05524A	COVER-CAP DOOR LED; AW3,GPPS,T2,TP BLUE	SA	2
2-4-4	4	RE235	DA67-02385A	CAP DOOR SWITCH; SVETA-PJT,PP,T1.5,HB,BJ7	SA	2
2-5	3		DA97-13838A	ASSY RAIL-LEFT; AW4-CD,VEG	SA	1
2-5-1	4		DA97-15997A	ASSY ROLLER; RF9000JC,24	SA	1
2-6	3		DA97-13837A	ASSY RAIL-RIGHT; AW4-CD,VEG	SA	1
2-6-1	4		DA97-15997A	ASSY ROLLER; RF9000JC,24	SA	1
2-7	3		DA96-01120K	ASSY WIRE HARNESS-MAIN; 9000JC,DISPENSER,	SNA	1
2-7-1	4	RK394	DA41-00519Q	ASSY LAMP LED; 3ea,CEM-1,170*10,WHITE,SMA	SA	2
2-8	3	RR009	6002-000215	SCREW-TAPPING; TH,+,-,1,M4,L16,ZPC(WHT),SWR	SA	7
2-9	3		DA97-13763A	ASSY CASE ICE; AW4 CD	SNA	1
2-9-1	4	RR012	6002-000471	SCREW-TAPPING; TH,+,-,1,M4,L12,PASS,STS30	SA	3
2-10	3		DA97-13860A	ASSY DRAIN HOSE-MIDDLE; AW4,4DOOR	SNA	1
2-10-1	4	RU385	DA72-00238B	SEAL-DRAIN HOSE; ARAM10,PU FOAM,T10,30	SNA	1
2-11	3	RO279	DA97-16563A	ASSY PIPE SUCTION; RF9500K,OD7.94,T0.5,C1	SNA	1
2-11-1	4		DA61-12775A	FIXER PIPE; FDR/T-TYPE ICE ROOM MODEL,STS	SNA	2
2-11-2	4	RW964	DA62-01018A	SEAL CUTT-RUBBER; RR2500K,RUBBER,BLACK,T5	SA	2

5. Cycle

Exploded View



Parts List

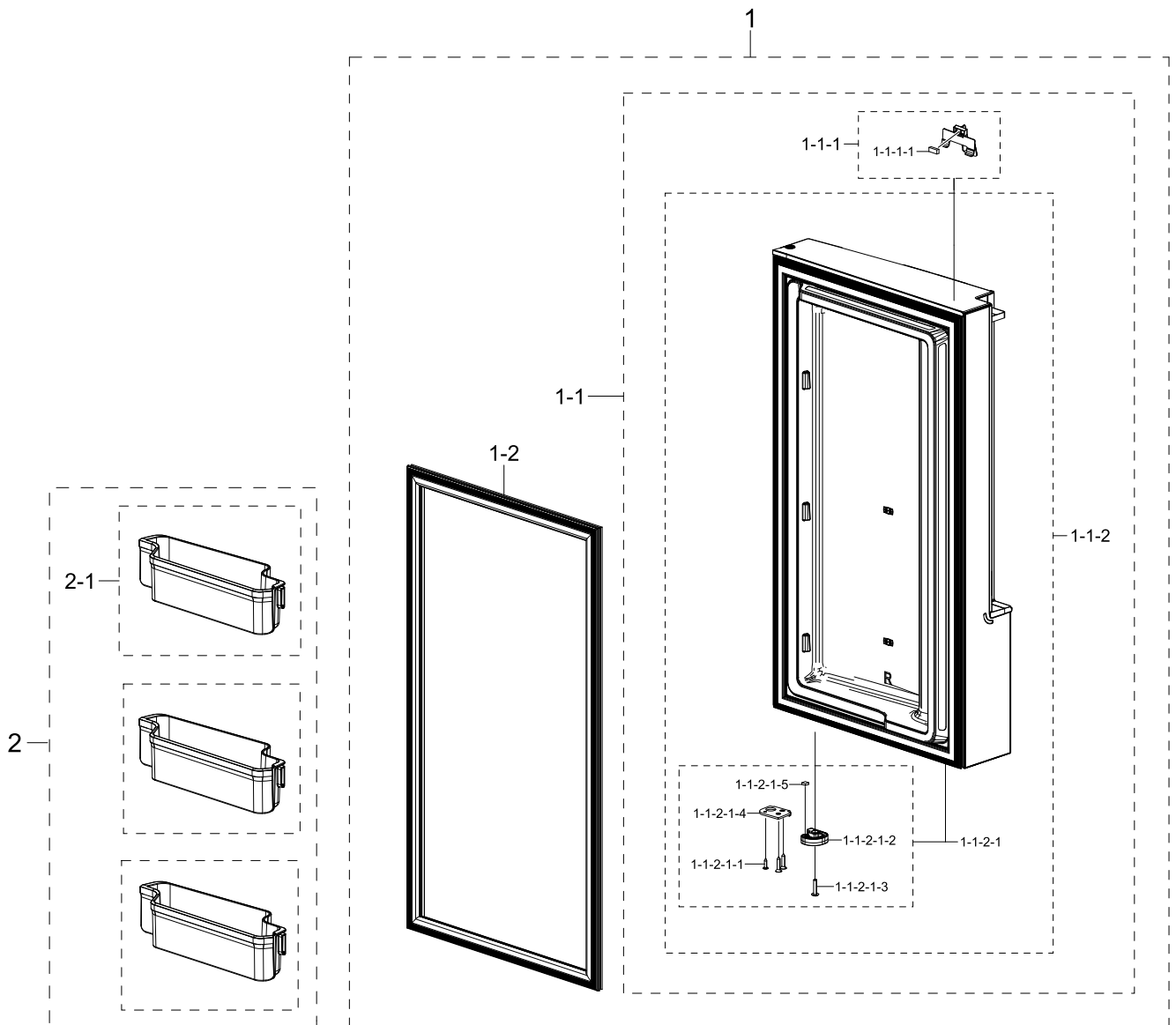
No.	Lvl.	Loc.	Material Code	Description & Specification	SNA	Qty.
1	2	RH003	DA97-15978B	ASSY TRAY DRAIN WATER; FDR,PFC(La+Ce)	SA	1
1-1	3	RO132	DA97-15765C	ASSY SUPPORT-CIRCUIT MOTOR; RH9000K	SA	1
1-1-1	4		DA31-00340A	MOTOR BLDC FAN; RMF002ASSA,1120 rpm,12V,0	SNA	1
1-1-1-1	5	RG062	DA31-00320A	FAN; HM12,ABS+GLASSFIBER,GR-4010/NTR	SC	1
1-1-1-2	5	RR053	DA61-20128A	SPRING ETC-FAN; STS304,PI8.8,ID7.8,OD9.8,	SA	1
1-2	3	RX020	DA63-40171B	GROMMET-SUCT PIPE A; NBR,-,ID4,OD20	SC	1
1-3	3		DA63-07323A	GROMMET-IMMERSION PIPE B; ROMANEE CONTI,N	SA	1
1-4	3	RH054	DA63-04424A	GROMMET-COND SUB; AW,NBR,Black	SA	1
1-5	3	RR008	6002-000213	SCREW-TAPPING; TH,+,1,M4,L12,ZPC(WHT),SWR	SA	3
2	2	RH044	DA62-04309A	DRYER; C1220T-H,L137,SINGLE MOUTH,For VAL	SA	1

Exploded Views and Parts List

No.	Lvl.	Loc.	Material Code	Description & Specification	SNA	Qty.
3	2	RH085	DA62-03691A	PIPE CONNECT-SUCTION; RF9000, AW,Cu,OD6.3	SA	1
4	2	RZ110	DA97-04049E	ASSY CAP-DRAIN; AW3	SA	3
4-1	3	RO161	DA63-02761A	GROMMET-DRAIN; RS18RK,NBR,-,-,-,-,BLK,-	SA	3
4-2	3	RG141	DA61-05021A	FIXER-DRAIN; HAEMIL,PP,T0.6,CARMEN WINE,B	SA	3
4-3	3	RH890	DA62-01266B	TUBE PVC; AW3,PVC,OD19.4,L155,BLACK	SA	3
4-4	3	RZ111	DA67-01301A	CAP-DRAIN; AW4,HIPS,HB,S834S1,NATURAL	SA	3
5	2		DA62-04617D	VALVE STEP; DC12V,MODULE,3WAY,LEFT/LEFT b	SA	1
6	2	RO337	DK61-00464A	FIXER-STEP MOTOR; RUBY,SWRCH18A	SA	2
7	2	RH026	DA73-10190U	PIPE-CONNECT DISC,B; ALL,Cu,C1220T,OD6.35	SA	1
8	2		DA96-01170A	ASSY WIRE HARNESS-COMP; ALL,ALL,FREE VOLT	SA	1
9	2		NF54K9151AME01	CMP,COMP,REFRIGERATOR,R-600A; CMP,COMP,REFRIGERATOR,R-600A	SA	1
10	2		6011-007289	BOLT-HEX; M6,L43.6,SWRCH10A,OD18	SA	4
11	2	RH732	DA63-09336B	GROMMET COMP; REF,IIR,ALL BLACK	SA	4
12	2	RH015	DA63-06122A	COVER RELAY; MSV,MPPO,T2,BLACK,V-0	SA	1
13	2	RK934	DA39-20389L	ASSY WIRE HARNESS-EARTH; EARTH,ALL,,,,,FR	SC	1
14	2		DA60-00280A	FITTING-LOKRING 33; SUM23,33, 11SMnPb30K	SA	1
15	2		DA60-00367A	FITTING LOCK SLEEVE; SMF4030,COND OUT(4.7	SNA	1
16	2		DA60-00279A	FITTING-LOKRING 16; SUM23,16, 11SMnPb30K	SA	1
17	2	RO162	DA63-00951C	GROMMET-DRAIN HOSE; V2-PJT,NBR,BLACK	SA	1

6. Freezer Door R

Exploded View



Parts List

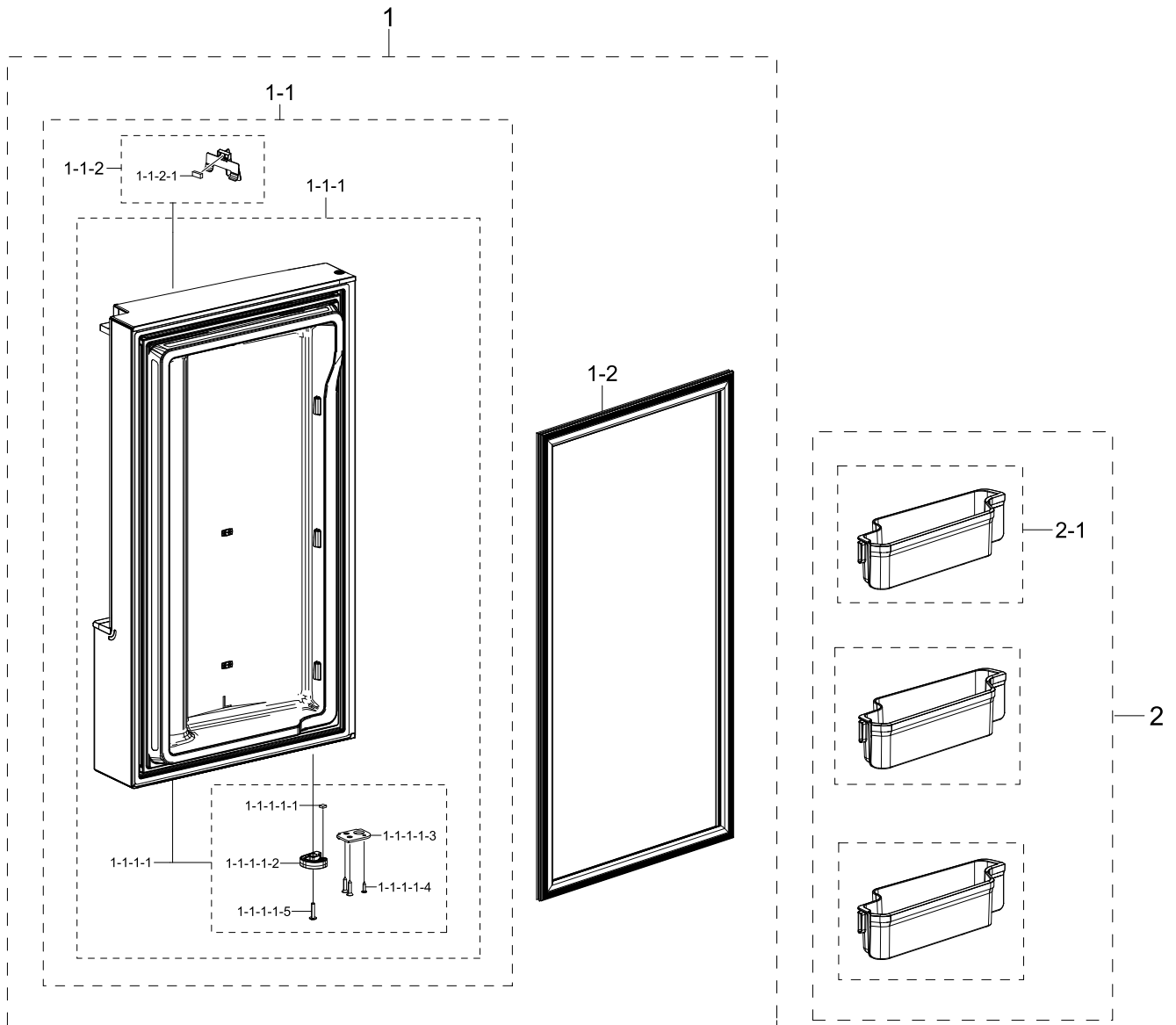
No.	Lvl.	Loc.	Material Code	Description & Specification	SNA	Qty.
1	2		DA93-00049A	ASSY DOOR SUB-FRE RIGHT; REAL STS(430),23	SNA	1
1-1	3		DA91-04310C	ASSY DOOR FOAM-FRE RIGHT; REAL STS(430),2	SA	1
1-1-1	4		DA97-19541A	ASSY MAGNET; RF9000JC	SA	1
1-1-1-1	5	RY479	DA61-03769A	MAGNET-A; HERMES,FERRITE,1600Gauss	SA	1
1-1-2	4		DA97-15394D	ASSY PLATE DOOR-FRE RIGHT; RF9000JC,REALS	SNA	1
1-1-2-1	5	RF230	DA97-13735A	ASSY CAP DOOR-FRE LOW; ROMANEE CONTI,ROMA	SNA	1
1-1-2-1-1	6	RR015	6002-001120	SCREW-TAPPING; FH,+,1,M4,L18,ZPC(WHT),SWR	SA	1

Exploded Views and Parts List

No.	Lvl.	Loc.	Material Code	Description & Specification	SNA	Qty.
1-1-2-1-2	6	RU262	DA61-02383E	SUPPORT DOOR-CLOSE; AW-PJT,PK,M33R3A000,C	SA	1
1-1-2-1-3	6	RR227	6001-000715	SCREW-MACHINE; TH,+,-,M5,L16,ZPC(WHT),SWR	SA	1
1-1-2-1-4	6	RE439	DA61-08817A	STOPPER DOOR-R; ROMANEE CONTI,PO-SPHC,T2.	SA	1
1-1-2-1-5	6	RR067	DA63-40294A	GROMMET-STOPPER; T3XW8XL8,NR,-,-,-,-,-,-,	SA	1
1-2	3		DA97-19431A	ASSY GASKET-FRE; RF9000N,GRAY	SA	1
2	2		DA97-19022A	ASSY GUARD PACKING; RF9000JC,STAMPING	SNA	1
2-1	3		DA63-07288C	GUARD-FRE RIGHT; ROMANEE,GPPS,T3,TP BLUE,	SA	3

7. Freezer Door L

Exploded View



Parts List

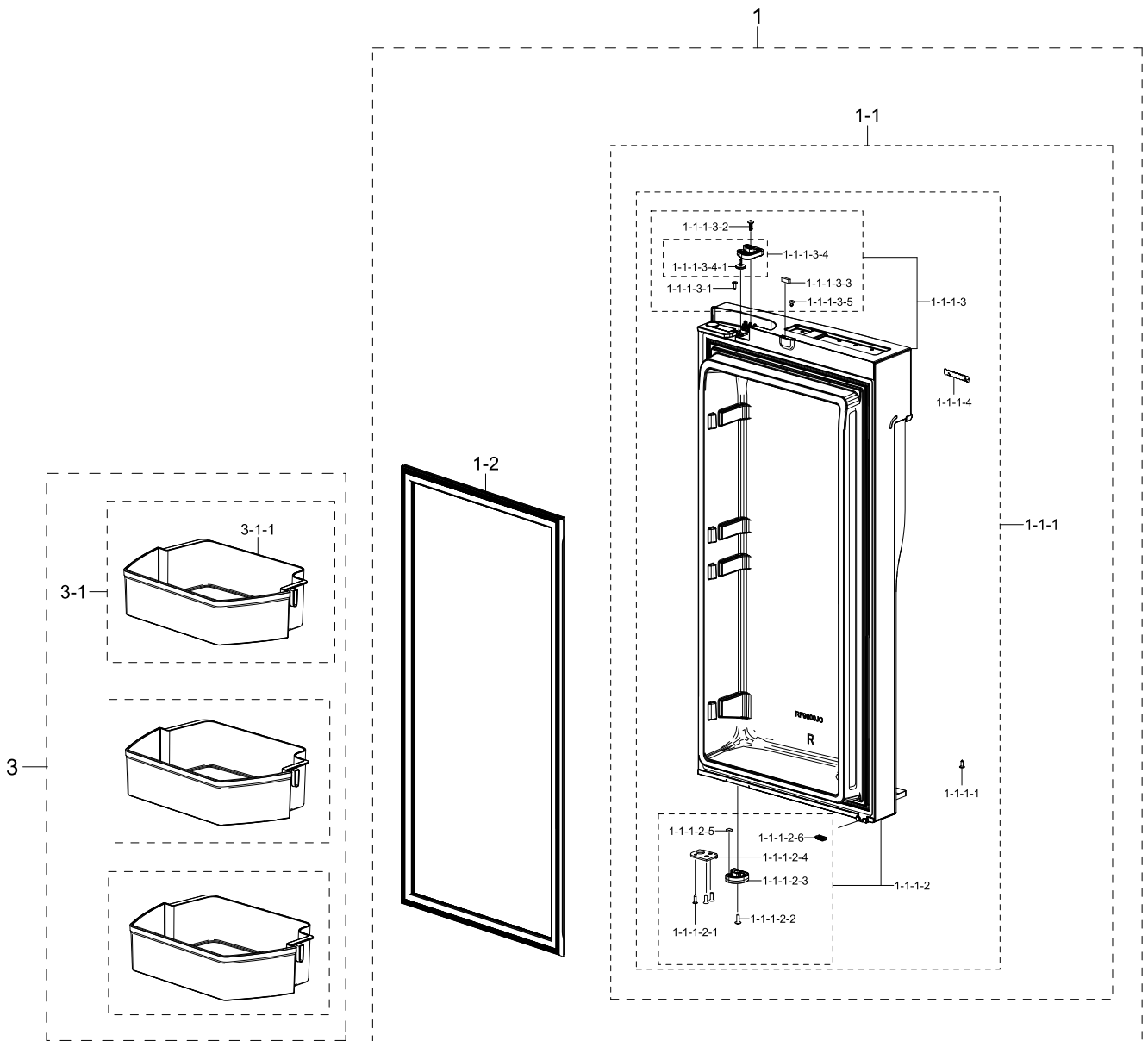
No.	Lvl.	Loc.	Material Code	Description & Specification	SNA	Qty.
1	2		DA93-00048A	ASSY DOOR SUB-FRE LEFT; REAL STS,SILVER H	SNA	1
1-1	3		DA91-04321C	ASSY DOOR FOAM-FRE LEFT; REAL STS,SILVER	SA	1
1-1-1	4		DA97-15383D	ASSY PLATE DOOR-FRE LEFT; RF9000JC,REALST	SNA	1
1-1-1-1	5	RF230	DA97-13734A	ASSY CAP DOOR-FRE LOW; ROMANEE CONTI,ASSY	SNA	1
1-1-1-1-1	6	RR067	DA63-40294A	GROMMET-STOPPER; T3XW8XL8,NR,-,-,-,-,-,-,-,	SA	1
1-1-1-1-2	6	RU262	DA61-02383E	SUPPORT DOOR-CLOSE; AW-PJT,PK,M33R3A000,C	SA	1

Exploded Views and Parts List

No.	Lvl.	Loc.	Material Code	Description & Specification	SNA	Qty.
1-1-1-1-3	6	RD070	DA61-08816A	STOPPER DOOR-L; ROMANEE CONTI,PO-SPHC,T2.	SA	1
1-1-1-1-4	6	RR015	6002-001120	SCREW-TAPPING; FH,+,1,M4,L18,ZPC(WHT),SWR	SA	1
1-1-1-1-5	6	RR227	6001-000715	SCREW-MACHINE; TH,+,-,M5,L16,ZPC(WHT),SWR	SA	1
1-1-2	4		DA97-19541A	ASSY MAGNET; RF9000JC	SA	1
1-1-2-1	5	RY479	DA61-03769A	MAGNET-A; HERMES,FERRITE,1600Gauss	SA	1
1-2	3		DA97-19431A	ASSY GASKET-FRE; RF9000N,GRAY	SA	1
2	2		DA97-19022A	ASSY GUARD PACKING; RF9000JC,STAMPING	SNA	1
2-1	3	RD354	DA63-07289C	GUARD-FRE LEFT; ROMANEE,GPPS,T3,TP BLUE,S	SA	3

8. Fridge Door R

Exploded View



Parts List

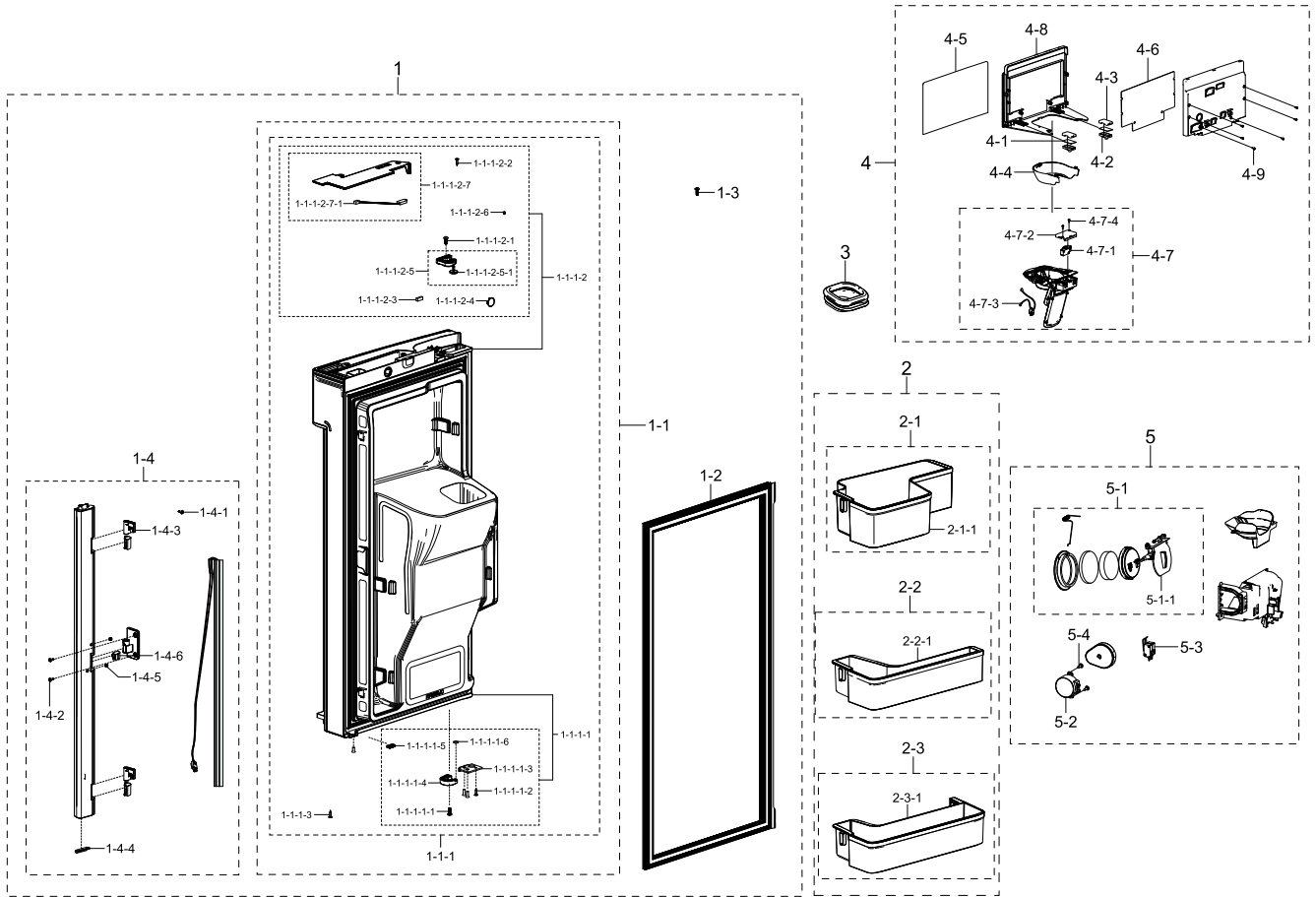
No.	Lvl.	Loc.	Material Code	Description & Specification	SNA	Qty.
1	2		DA93-00047A	ASSY DOOR SUB-REF RIGHT; RF9000JC,REAL ST	SNA	1
1-1	3		DA91-04570D	ASSY DOOR FOAM-REF RIGHT; RF9000JC,REAL S	SA	1
1-1-1	4		DA97-16683G	ASSY PLATE DOOR-REF RIGHT; RF9000JC,A+,RE	SNA	1
1-1-1-1	5	RR016	6002-001122	SCREW-TAPPING; FH,+,NO,1,M4,L14,ZPC(WHT),	SC	1
1-1-1-2	5		DA97-16595A	ASSY CAP DOOR-REF LOW RIGHT; RF9000K,INOX	SNA	1

Exploded Views and Parts List

No.	Lvl.	Loc.	Material Code	Description & Specification	SNA	Qty.
1-1-1-2-1	6	RR015	6002-001120	SCREW-TAPPING; FH,+,1,M4,L18,ZPC(WHT),SWR	SA	1
1-1-1-2-2	6	RK552	6001-000716	SCREW-MACHINE; TH,+,-,M5,L16,ZPC(WHT),MSW	SA	1
1-1-1-2-3	6		DA61-10855A	SUPPORT CAP DOOR-RIGHT; RF9000K,PK,T3.5,M	SA	1
1-1-1-2-4	6	RE439	DA61-08817A	STOPPER DOOR-R; ROMANEE CONTI,PO-SPHC,T2.	SA	1
1-1-1-2-5	6	RR067	DA63-40294A	GROMMET-STOPPER; T3XW8XL8,NR,-,-,-,-,-,	SA	1
1-1-1-2-6	6	RD292	DA63-04825A	GROMMET-CHASSIS UP; SRT749,SI,T5.0,W20.0,	SA	1
1-1-1-3	5		DA97-13848A	ASSY CAP DOOR-REF UP RIGHT; ROMANEE CONTI	SNA	1
1-1-1-3-1	6	RR016	6002-001122	SCREW-TAPPING; FH,+,NO,1,M4,L14,ZPC(WHT),	SC	1
1-1-1-3-2	6	RR013	6002-000613	SCREW-TAPPING; TH,+,-,2,M5,L16,ZPC(WHT),S	SA	1
1-1-1-3-3	6	RY479	DA61-03769A	MAGNET-A; HERMES,FERRITE,1600Gauss	SA	1
1-1-1-3-4	6	RO172	DA97-12625A	ASSY LEVER-AUTO CLOSE; AW4,POM,BLACK	SA	1
1-1-1-3-4-1	7	RO570	DA66-00440A	ROLLER-AUTO CLOSE; AW-PJT,NY-6,BLACK	SA	1
1-1-1-3-5	6	RU495	DA67-02795C	CAP-SHAFT HOLE; AW3,ABS,HG-0760GP,SNOW WH	SA	1
1-1-1-4	5	RO716	DA64-04021C	MASCOT; ALL,Ni,T0.06,L90	SA	1
1-2	3		DA97-19430A	ASSY GASKET-REF; RF9000N,GRAY	SA	1
3	2		DA97-19650A	ASSY GUARD PACKING; RF9000JC	SNA	1
3-1	3		DA97-20290A	ASSY GUARD-REF RIGHT; RF9000JC,HOT STAMPI	SA	3
3-1-1	4		DA63-08015A	GUARD-REF RIGHT; RF9000JC,SAN,T3,TP BLUE,	SA	3

9. Fridge Door L

Exploded View



Parts List

No.	Lvl.	Loc.	Material Code	Description & Specification	SNA	Qty.
1	2		DA93-00046A	ASSY DOOR SUB-REF LEFT; RF9000JC,STS430,R	SNA	1
1-1	3		DA91-04569D	ASSY DOOR FOAM-REF LEFT; RF9000JC,STS430,	SA	1
1-1-1	4		DA97-16682D	ASSY PLATE DOOR-REF LEFT; RF9000JC,REALST	SNA	1
1-1-1-1	5		DA97-16589A	ASSY CAP DOOR-REF LOW LEFT; RF9000K,INOX	SNA	1
1-1-1-1-1	6	RK552	6001-000716	SCREW-MACHINE; TH,+,-,M5,L16,ZPC(WHT),MSW	SA	1
1-1-1-1-2	6	RR015	6002-001120	SCREW-TAPPING; FH,+,-,1,M4,L18,ZPC(WHT),SWR	SA	1
1-1-1-1-3	6	RD070	DA61-08816A	STOPPER DOOR-L; ROMANEE CONTI,PO-SPHC,T2.	SA	1
1-1-1-1-4	6		DA61-10856A	SUPPORT CAP DOOR-LEFT; RF9000K,PK,T3.5,M3	SA	1
1-1-1-1-5	6	RD292	DA63-04825A	GROMMET-CHASSIS UP; SRT749,SI,T5.0,W20.0,	SA	1
1-1-1-1-6	6	RR067	DA63-40294A	GROMMET-STOPPER; T3XW8XL8,NR,-,-,-,-,-,-,-,	SA	1

Exploded Views and Parts List

No.	Lvl.	Loc.	Material Code	Description & Specification	SNA	Qty.
1-1-1-2	5		DA97-13847C	ASSY CAP DOOR-REF UP LEFT; ROMANEE CONTI,	SNA	1
1-1-1-2-1	6	RR013	6002-000613	SCREW-TAPPING; TH,+,-,2,M5,L16,ZPC(WHT),S	SA	1
1-1-1-2-2	6	RR016	6002-001122	SCREW-TAPPING; FH,+,-,NO,1,M4,L14,ZPC(WHT),	SC	3
1-1-1-2-3	6	RY479	DA61-03769A	MAGNET-A; HERMES,FERRITE,1600Gauss	SA	1
1-1-1-2-4	6		DA67-03218D	CAP-INTERLOCK SWITCH HOLE; ROMANEE CONTI,	SA	1
1-1-1-2-5	6	RO172	DA97-12625A	ASSY LEVER-AUTO CLOSE; AW4,POM,BLACK	SA	1
1-1-1-2-5-1	7	RO570	DA66-00440A	ROLLER-AUTO CLOSE; AW-PJT,NY-6,BLACK	SA	1
1-1-1-2-6	6	RU495	DA67-02795C	CAP-SHAFT HOLE; AW3,ABS,HG-0760GP,SNOW WH	SA	1
1-1-1-2-7	6	RO708	DA97-13014A	ASSY COVER DISPLAY; ROMANEE CONTI,INOX GR	SA	1
1-1-1-2-7-1	7	RO302	DA32-00034B	SENSOR HUMIDITY; DA32-00034B,SHT20P,5V,0	SA	1
1-1-1-3	5	RR016	6002-001122	SCREW-TAPPING; FH,+,-,NO,1,M4,L14,ZPC(WHT),	SC	2
1-2	3		DA97-19430A	ASSY GASKET-REF; RF9000N,GRAY	SA	1
1-3	3	RR018	6002-001406	SCREW-TAPPING; TH,+,-,2S,M4,L12,ZPC(WHT),	SA	2
1-4	3		DA97-17722P	ASSY FRENCH; RF9000JC,THAI SILVER, 230V,	SA	1
1-4-1	4	RR008	6002-000213	SCREW-TAPPING; TH,+,-,1,M4,L12,ZPC(WHT),SWR	SA	3
1-4-2	4	RR012	6002-000471	SCREW-TAPPING; TH,+,-,1,M4,L12,PASS,STS30	SA	1
1-4-3	4	RD098	DA61-08305A	HINGE-FRENCH; AW4,PA6,T2,HI7025,COOL WHIT	SA	2
1-4-4	4		DA63-08421A	GASKET FRENCH-LOW; RF9000JC,SI,GRAY,0.80	SA	1
1-4-5	4		DA63-07538A	GROMMET-A; MOUTON12,Si,COOL WHITE,NAME TA	SA	4
1-4-6	4	RE091	DA67-01701A	CAP-CASE FRENCH MID; AW-PJT,ABS,HG-0760GP	SA	1
2	2		DA97-19649A	ASSY GUARD PACKING; RF9000JC	SNA	1
2-1	3		DA97-20288A	ASSY GUARD DISPENSER; RF9000JC,HOT STAMPI	SA	1
2-1-1	4	RE127	DA63-08012A	GUARD-DISPENSER; RF9000JC,GPPS,T3,TP BLUE	SA	1
2-2	3		DA97-20292A	ASSY GUARD-REF MIDDLE; RF9000JC,HOT STAMP	SA	1
2-2-1	4		DA63-08013A	GUARD-REF MIDDLE; RF9000JC,GPPS,T3,TP BLU	SA	1
2-3	3	RI161	DA97-20289A	ASSY GUARD-REF LOW; RF9000JC,HOT STAMPING	SA	1
2-3-1	4	RE368	DA63-08014A	GUARD-REF LOW; RF9000JC,GPPS,T3,TP BLUE,H	SA	1
3	2		DA97-13431A	ASSY CAP-CHUTE ICE; ROMANEE CONTI,HIPS,12	SA	1
4	2		DA97-15112K	ASSY COVER DISPENSER; RF9000JC,GLOBAL,NO	SA	1

No.	Lvl.	Loc.	Material Code	Description & Specification	SNA	Qty.
4-1	3	RK964	DA41-00217A	ASSY PCB KIT; LED DISPENSER LAMP,AD,17*31	SA	2
4-2	3	RU012	DA61-05687A	CASE LAMP-LED; SSED,GP,TP BLUE,-	SA	2
4-3	3	RE310	DA63-02446A	COVER-LAMP-LED; EPEL,ABS,COOL WHITE,HG-07	SA	2
4-4	3		DA63-07637A	COVER ICE; AW4-4D,ABS,HB,CREAMY STS PEARL	SA	1
4-5	3		DA64-04847A	INLAY-FILM; RF9000JC,PET,BLACK,DISPENSER,	SNA	1
4-6	3		DA92-00662E	ASSY MODULE; RF9000JC,LED WHITE, ICE BLUE	SNA	1
4-7	3		DA97-12628N	ASSY LEVER DISPENSER; AW4-4D,CD/NO SPARKL	SA	1
4-7-1	4	S0224	3405-001119	SWITCH-MICRO; 250VAC,1A,80,SPST-NO,T105	SA	2
4-7-2	4	RE059	DA63-05449A	COVER SWITCH; AW3,ABS,NATURAL,HG-0760GP	SA	1
4-7-3	4		DA96-00106J	ASSY WIRE HARNESS-DISPENSER; 2LEVER-S/W,D	SA	1
4-7-4	4	RR014	6002-000630	SCREW-TAPPING; PH,+,NO,2S,M3,L8,ZPC(WHT),	SA	2
4-8	3		DA97-15113C	ASSY COVER DISPENSER-SUB; RF9000JC,GLOBAL	SA	1
4-9	3	RR014	6002-000630	SCREW-TAPPING; PH,+,NO,2S,M3,L8,ZPC(WHT),	SA	6
5	2		DA97-13829B	ASSY CASE ICE ROUTE; AW4-4D,-,220V	SA	1
5-1	3	RD068	DA97-05368A	ASSY COVER-ICE ROUTE; AW-PJT,-,-,-,-,-,	SA	1
5-1-1	4	RD359	DA63-04647A	COVER-ICE ROUTE A; AW-PJT,ABS+PC,HB,BLACK	SA	1
5-2	3	RF261	DA31-00079C	MOTOR GEARED AC DISP; MVLB15AR81/MCFB182A	SA	1
5-3	3		3405-001117	SWITCH-MICRO; 125/250VAC,1A,80gf,SPST-NO	SA	2
5-4	3	RR017	6002-001364	SCREW-TAPPING; FH,+,1,M4,L14,CR PLT,SWR	SA	2