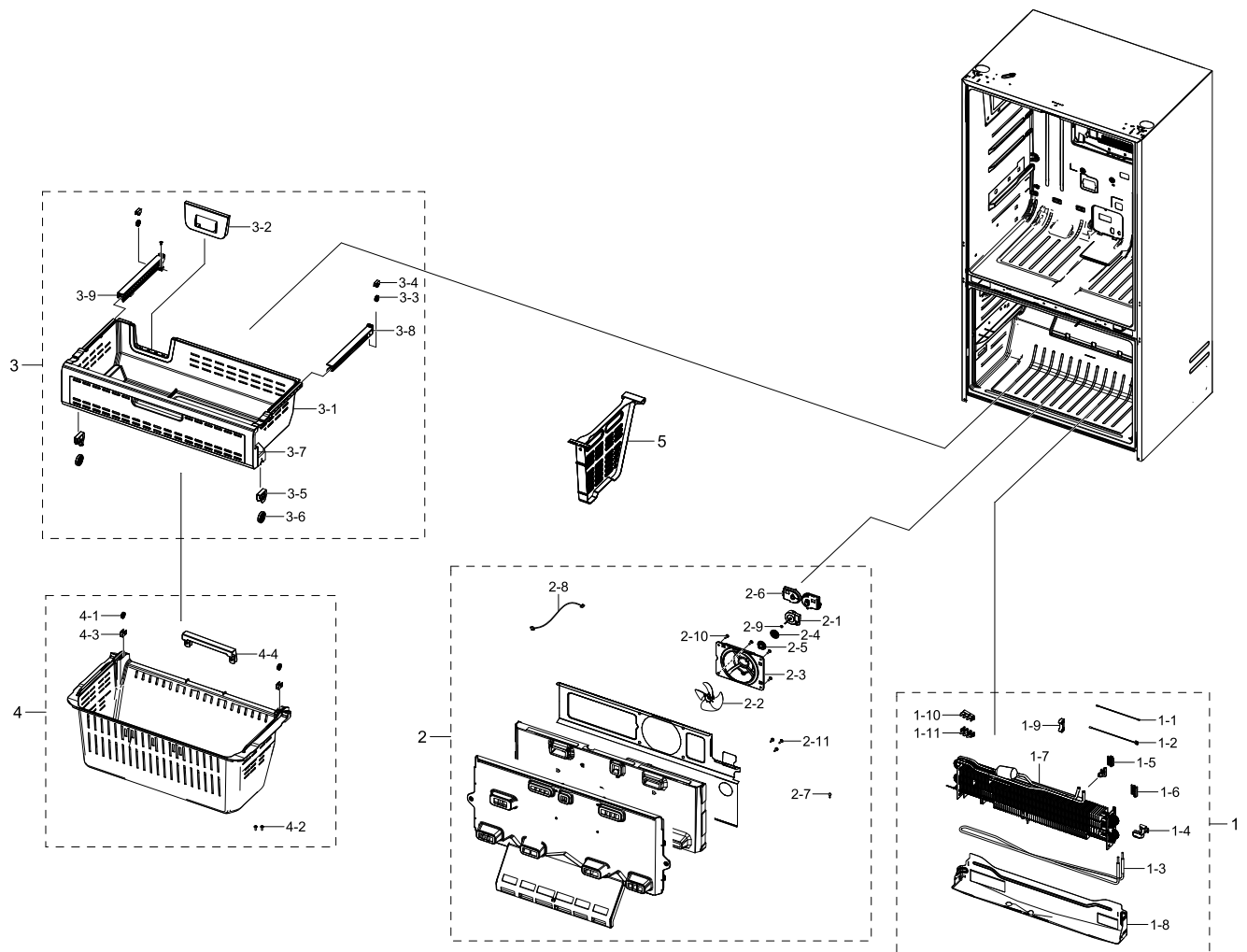


1. Freezer

Exploded View



Parts List

No.	Lvl.	Loc.	Material Code	Description & Specification	SNA	Qty.
1	2	RF011	DA96-00632G	ASSY EVAP-FRE; AW2-Facelift,Fin Tube,230V	SA	1
1-1	3		DA32-10104V	SENSOR TEMP; DKST1329GW,DOUBLE_INSULATION	SA	1
1-2	3	RR341	DA47-00301B	THERMO FUSE-ASSY;AC250V,10A,109~110°C,S.O	SA	1
1-3	3		DA47-00318D	HEATER METAL SHEATH; AC230V,AW2-CD FRE, 2	SA	1
1-4	3	RK201	DA61-05845A	FIXER-HEATER FRE; AW3-PJT,PBT,NATURAL,V-0	SA	1
1-5	3		DA61-06182A	FIXER-SENSOR FRE; AW3-PJT,PP,NATURAL,BJ75	SA	1
1-6	3	RF217	DA61-05160A	FIXER FUSE; CULLI_09,PP,T2,NATURAL,HB,BJ7	SA	1

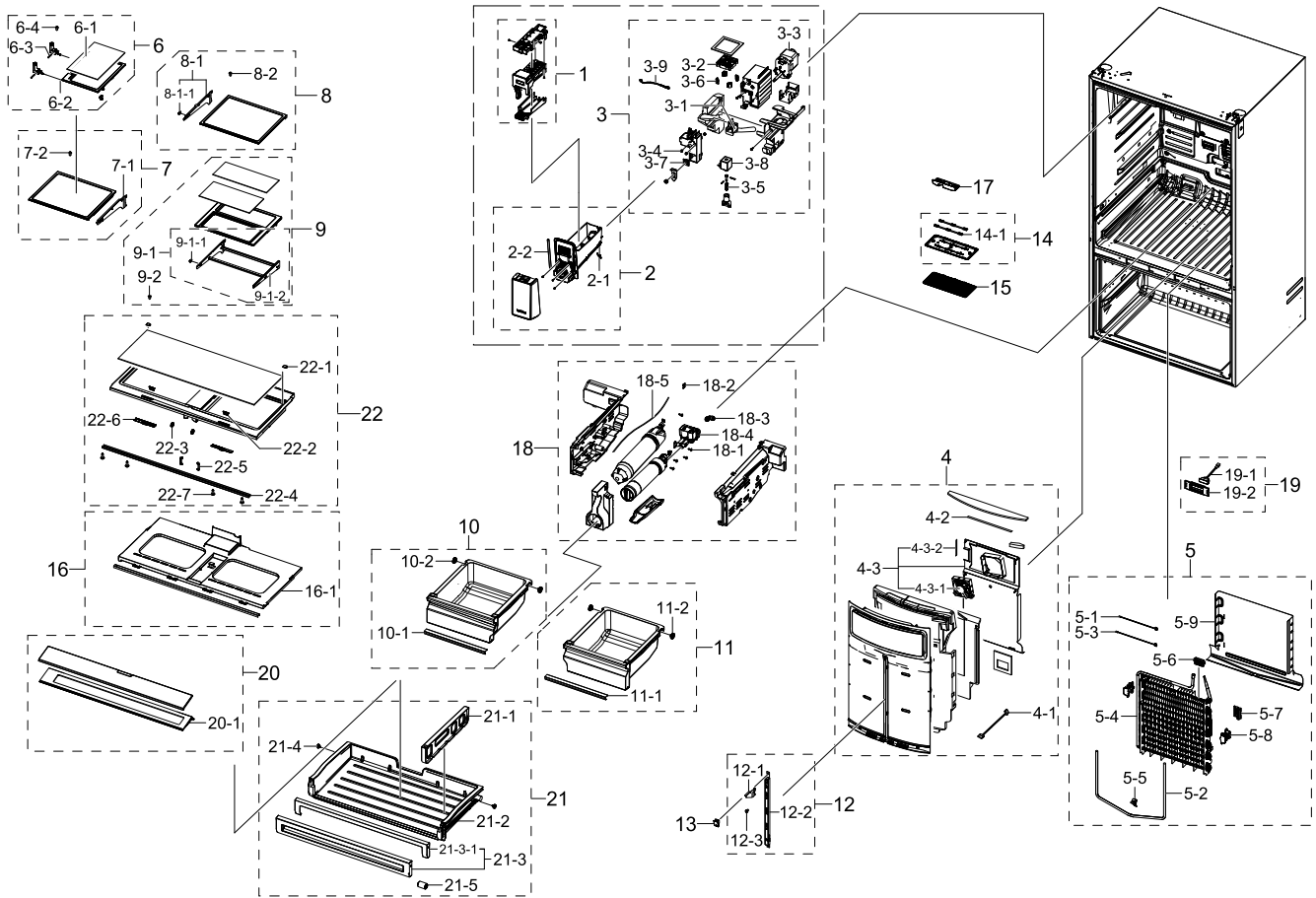
Exploded Views and Parts List

No.	Lvl.	Loc.	Material Code	Description & Specification	SNA	Qty.
1-7	3	RF323	DA59-00401B	EVAPORATOR-FRE; Fin Tube,AW2 F/L,2,A1070,	SNA	1
1-8	3	RO363	DA61-04225B	PLATE-DRAIN FRE; AW2 ND-PJT,GL-SAZCC,T0.3	SNA	1
1-9	3		DA61-12188A	FIXER PIPE; PP,T2,NATURAL,RF8000M	SA	1
1-10	3		6130-000386	RETAINER; 49547-0392,POLYAMIDE,UPPER TPA,	SNA	1
1-11	3		6130-000387	RETAINER; 49548-0390,POLYAMIDE,LOWER TPA,	SNA	1
2	2	RF005	DA97-08541A	ASSY COVER EVAP-FRE; AW2-ND	SA	1
2-1	3	RR087	DA31-00146H	MOTOR BLDC; DREP5020LC,2950,12V,175mA,2.1	SC	1
2-2	3	RR030	DA31-00124A	FAN-AX100W4CC-T1; TD-PJT,ABS,-,-,-,-,-	SA	1
2-3	3	RF120	DA61-03183A	CASE MOTOR-FRE; AW-PJT,PP,GRAY,CNTK-P-101	SA	1
2-4	3	RO138	DA63-01146A	GROMMET-MOTOR,REAR; A-TOP,NBR,ID6.5,OD42,	SA	1
2-5	3	RO545	DA63-01808A	GROMMET MOTOR; BLDC,NBR,BLACK,BLACK,H20	SA	1
2-6	3	RF455	DA63-01809B	COVER MOTOR-BLDC; AT,PP,HB,GRAY,CNTK-P-10	SA	1
2-7	3	RR066	DA63-40167A	GROMMET-COVER CHIL; Si,WHITE	SA	1
2-8	3	RR928	DA96-00042D	ASSY WIRE HARNESS-MOTOR; BLDC-MOTOR,FOAM-	SA	1
2-9	3	RR053	DA61-20128A	SPRING ETC-FAN; STS304,PI8.8,ID7.8,OD9.8,	SA	1
2-10	3	RR009	6002-000215	SCREW-TAPPING; TH,+,1,M4,L16,ZPC(WHT),SWR	SA	4
2-11	3	RR008	6002-000213	SCREW-TAPPING; TH,+,1,M4,L12,ZPC(WHT),SWR	SA	3
3	2		DA97-20852A	ASSY TRAY-FRE UP; AW2 CD FACE LIFT,NO ICE	SA	1
3-1	3	RI691	DA63-04939A	TRAY-FRE UPP; AW2 CD,HIPS,COOL WHITE	SA	1
3-2	3	RU205	DA67-02285A	CAP TRAY-FRE UP; AW2 CD,HIPS,COOL WHITE(S	SNA	1
3-3	3	RR069	DA66-10104A	ROLLER-FRE; POM,D22,NATURAL	SC	2
3-4	3	RR250	DA71-20277A	FIXER-ROLLER; SR-62,PA66,T2	SA	2
3-5	3	RF155	DA61-04154A	FIXER-ROLLER TRAY FRE UPP; AW-PJT,PA,1.8,	SA	2
3-6	3	RF151	DA66-00554A	ROLLER-TRAY FRE UPP; AW-PJT,POM,42.2,NATU	SA	2
3-7	3	RF522	DA63-04252C	COVER-TRAY FRE UPP A; AW2,HIPS,COOL WHITE	SA	1
3-8	3	RF263	DA61-05185A	GUIDE-TRAY FRE UPP R; AW2 CD,ABS,HB,HG-07	SA	1
3-9	3	RF264	DA61-05186A	GUIDE-TRAY FRE UPP L; AW2 CD,ABS,HB,HG-07	SA	1

No.	Lvl.	Loc.	Material Code	Description & Specification	SNA	Qty.
4	2		DA97-07533B	ASSY TRAY DRAWER; AW2-CD-14	SA	1
4-1	3	RR069	DA66-10104A	ROLLER-FRE; POM,D22,NATURAL	SC	2
4-2	3	RR018	6002-001406	SCREW-TAPPING; TH,+,-,2S,M4,L12,ZPC(WHT),	SA	2
4-3	3	RR071	DA71-20145A	FIXER-ROLLER; -,PA,-,-	SC	2
4-4	3		DA61-11261A	FIXER-REAR; AW3-14,HIPS,COOL WHITE,S834S1	SA	1
5	2		DA61-11259A	GUIDE-FRE; AW2CD-14,PP,HB,BJ750,COOL WHIT	SA	1

2. Refrigerator

Exploded View



Parts List

No.	Lvl.	Loc.	Material Code	Description & Specification	SNA	Qty.
1	2	RM061	DA97-18859B	ASSY ICE MAKER; AW2-CD14,230V	SA	1
2	2	RZ003	DA97-20157A	ASSY TRAY ICE; AW F/L CD,137,350,WHITE	SA	1
2-1	3	RM039	DA61-20124D	SPRING ETC-DISPENSER; AW-BEST-GE-OEM,STS3	SA	1
2-2	3		DA63-07185A	GASKET-TRAY ICE BUCKET; AW4,PVC-SF,WHITE	SA	1
3	2	RF222	DA97-12540M	ASSY CASE AUGER MOTOR; RF9000JC,230V 50Hz	SA	1
3-1	3		DA97-19898A	ASSY DRAIN HOSE-LOW; RF9000K,AUGER MOTOR	SA	1
3-2	3	RW547	DA31-00070E	MOTOR BLDC FAN; 66mm boxfan motor,3600rpm	SA	1
3-3	3	RF434	DA31-00105L	MOTOR GEARED AC AUGER; ISG3240SSH-1 / ORM	SA	1
3-4	3	RR110	DA60-00001B	SCREW-SPECIAL; HEX,M10,L6.3,PASS,STS304	SA	3

No.	Lvl.	Loc.	Material Code	Description & Specification	SNA	Qty.
3-5	3	RR109	DA61-20140A	SPRING ETC-SOLENOID; SR-S7180,STS304,ID7.	SA	1
3-6	3	RS711	DA63-02513A	GROMMET-FAN; USP,NBR	SA	4
3-7	3	RM031	DA71-00163B	FIXER-NUT; GUGGENHEIM,STS420,T1,J2,BODY:S	SA	1
3-8	3	RO088	DA74-40151F	VALVE COIL SOLENOID; AC220-240V,-,SOLENOI	SA	1
3-9	3		DA96-00682E	ASSY WIRE HARNESS-AUGER; AW4-4D COUNTER D	SA	1
4	2	RI008	DA97-12608A	ASSY COVER EVAP-REF; AW4	SA	1
4-1	3	RI139	DA32-00011C	SENSOR TEMP; DKST1329GW,QUEEN,-50 ~ 80	SA	1
4-2	3	RC016	DA62-01139C	SEAL CUTT; PE OPEN CELL,T5,W10,L1000	SNA	1
4-3	3		DA97-12815B	ASSY CASE MOTOR-REF; AW4,ASSY	SA	1
4-3-1	4		DA31-00287A	MOTOR BLDC FAN; 33507%,12V,0.16A,1.92W,	SC	1
4-3-2	4	RC016	DA62-01139E	SEAL CUTT; PE OPEN CELL,T5,W20,L1000	SNA	0.36
5	2	RI016	DA96-00660P	ASSY EVAP-REF; AW2-Facelift,Fin Tube,230V	SA	1
5-1	3		DA32-10104V	SENSOR TEMP; DKST1329GW,DOUBLE_INSULATION	SA	1
5-2	3		DA47-00244T	HEATER METAL SHEATH; AC230V,AW3 REF, 529o	SA	1
5-3	3	RR036	DA47-00301D	THERMO FUSE-ASSY;AC250V,10A,109~110°C,S.O	SA	1
5-4	3	RU300	DA59-00399B	EVAPORATOR-REF; Fin Tube,AW2 F/L,1,A1070,	SNA	1
5-5	3	RR042	DA61-03644A	PLATE-EVAP HEATER; AW-PJT,Al,T0.7	SA	1
5-6	3	RK213	DA61-03683A	FIXER-SENSER; AW-PJT,PP,NATURAL,V-0	SA	1
5-7	3	RF217	DA61-05160A	FIXER FUSE; CULLI_09,PP,T2,NATURAL,HB,BJ7	SA	1
5-8	3	RK205	DA61-05835B	FIXER-HEATER REF; AW3-PJT,PP,T3,NATURAL,F	SA	2
5-9	3	RF389	DA61-06186B	PLATE-DRAIN REF; AW3-PJT,Al,T0.3	SA	1
6	2	RI492	DA97-20344A	ASSY SHELF FOLDER; AW2CD-F/L,COOL WHITE	SA	1
6-1	3		DA61-03705A	SPRING ETC-HINGE SHELF;AW BEST,STS304,Φ0	SA	2
6-2	3		DA66-00482A	ROLLER-HINGE-SHELF; AW-PJT,POM,6,WHITE	SA	2
6-3	3		DA66-00483A	SHAFT-HINGE-SHELF; AW-PJT,STS304,38,4.0,-	SA	2
6-4	3	RR128	6002-001397	SCREW-TAPPING; TH,+,-,B,M4,L8,ZPC(WHT),SW	SA	1
7	2		DA97-20337A	ASSY SHELF INSERT-REF FIX; AW2CD-F/L,LEFT	SA	1
7-1	3		DA97-14399A	ASSY HANGER-RIGHT; AW2CD-14	SNA	1
7-2	3	RR128	6002-001397	SCREW-TAPPING; TH,+,-,B,M4,L8,ZPC(WHT),SW	SA	3

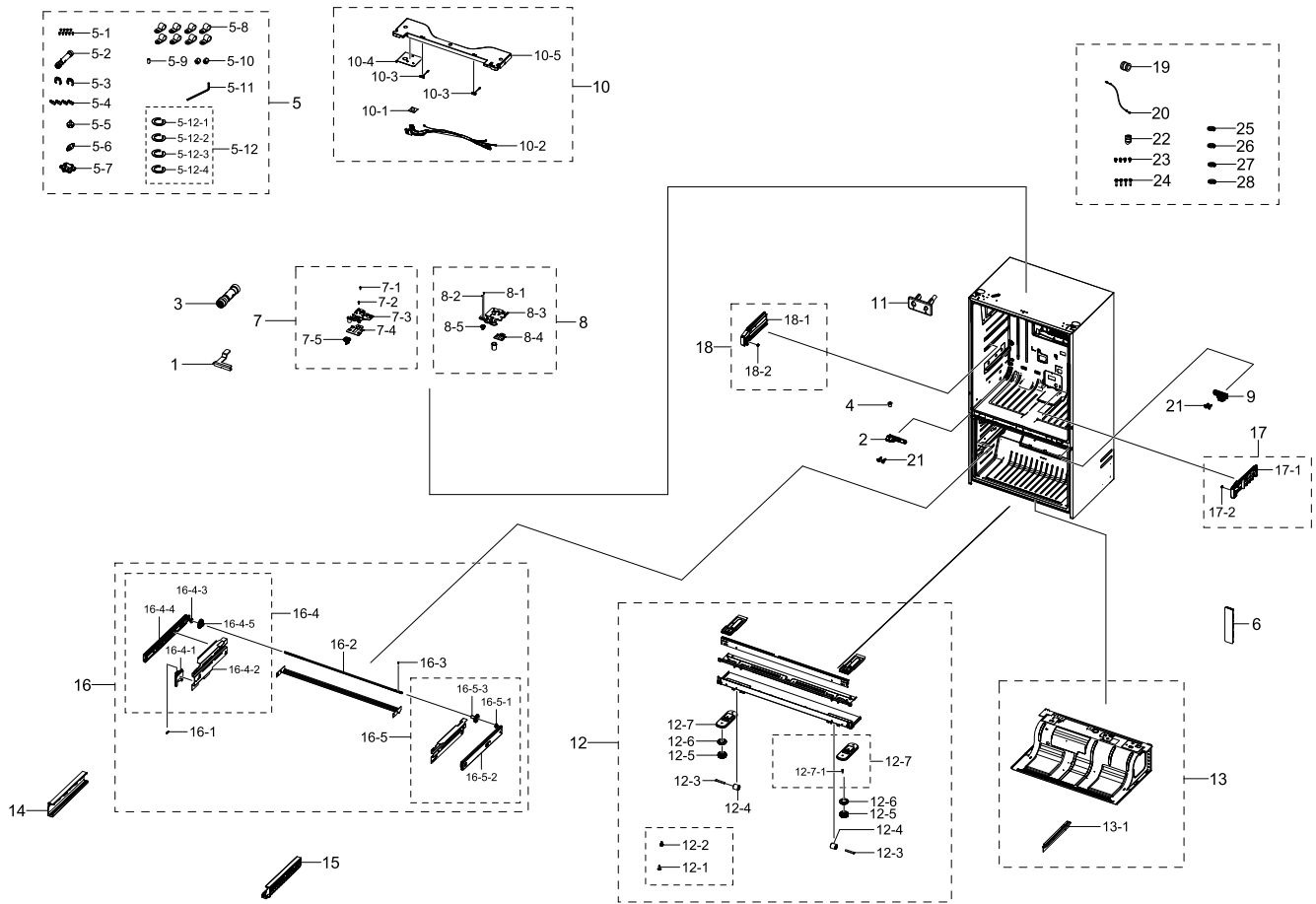
Exploded Views and Parts List

No.	Lvl.	Loc.	Material Code	Description & Specification	SNA	Qty.
8	2		DA97-20338A	ASSY SHELF INSERT-REF FIX; AW2CD-F/L,RIGH	SA	1
8-1	3		DA97-14846A	ASSY HANGER-LEFT; AW2-CD 14	SNA	1
8-1-1	4	RO337	DA61-09550A	FIXER; AW2-14,POM,WHITE,HB,K-300	SA	1
8-2	3	RR128	6002-001397	SCREW-TAPPING; TH,+,-,B,M4,L8,ZPC(WHT),SW	SA	3
9	2		DA97-20340A	ASSY SHELF QUICK SPACE; AW2CD-F/L,COOL WH	SA	1
9-1	3		DA97-20346A	ASSY HANGER; AW2CD-F/L,QUICK SPACE	SA	1
9-1-1	4	RO337	DA61-09550A	FIXER; AW2-14,POM,WHITE,HB,K-300	SA	1
9-1-2	4		DA61-13575A	HANGER-RIGHT; AW2-CD FACE LIFT,EGI-SECC,T	SA	1
9-2	3	RR128	6002-001397	SCREW-TAPPING; TH,+,-,B,M4,L8,ZPC(WHT),SW	SA	4
10	2		DA97-13842J	ASSY CASE VEG-LEFT; AW4-CD,TP GRAY	SA	1
10-1	3		DA64-03862R	TRIM COVER-REF; AW4-CD,HIPS,S834S1,COOL W	SA	1
10-2	3		DA97-19988A	ASSY ROLLER; RF9000K,29	SA	2
11	2		DA97-13841J	ASSY CASE VEG-RIGHT; AW4-CD,TP GRAY	SA	1
11-1	3		DA64-03862Q	TRIM COVER-REF; AW4-CD,HIPS,S834S1,COOL W	SA	1
11-2	3		DA97-19988A	ASSY ROLLER; RF9000K,29	SA	2
12	2		DA97-20342A	ASSY ANGLE SHELF-REF MIDDLE; AW2-F/L,COOL	SA	1
12-1	3	RI303	DA61-04321A	SUPPORT-HANGER; AW2,EGI-SECC,T1.6,Powder	SA	1
12-2	3		DA61-13577A	ANGLE SHELF-REF MIDDLE; EGI-SECC,T2,Powde	SNA	1
12-3	3	RR128	6002-001397	SCREW-TAPPING; TH,+,-,B,M4,L8,ZPC(WHT),SW	SA	1
13	3	RI298	DA67-03308A	CAP-ANGLE; AW4,PP,T2,HB,BJ750,COOL WHITE	SNA	1
14	2	RI246	DA97-12606C	ASSY CASE LAMP-REF; AW4 F/L,LED 6EA	SA	1
14-1	3		DA41-00676M	ASSY LAMP LED; 6,CEM-1,240*10,WHITE,SMAW2	SA	2
15	2	RG025	DA63-07816A	COVER LAMP-REF; OPUS1-14,GPPS,HB,TP BLUE,	SA	1
16	2		DA97-20833A	ASSY SHELF PANTRY; AW2 CD FACE LIFT,ASSY	SA	1
16-1	3		DA67-04845A	SHELF PANTRY; AW2 CD FACE LIFT,HIPS,NATUR	SNA	1
17	2	RI211	DA61-04285A	GUIDE-FRENCH; OPUS1-14,ABS+PC,HB,HR-1008B	SA	1
18	2		DA97-14528N	ASSY CASE FILTER; AW2-F/L_CD,MONO_220V	SA	1

No.	Lvl.	Loc.	Material Code	Description & Specification	SNA	Qty.
18-1	3	RR008	6002-000213	SCREW-TAPPING; TH,+,1,M4,L12,ZPC(WHT),SWR	SA	6
18-2	3	RR094	DA61-04522A	CLIP-FITTING LOCK; AW,POM,NATURAL	SA	5
18-3	3		DA62-03103A	TUBE-FITTING L; AW33,POM,GRAY	SA	1
18-4	3	RO521	DA62-04027B	VALVE WATER; AC220-240V,230,2WAY,L-Wire,1	SNA	1
18-5	3	RY760	DA62-01368F	PIPE-WATER LINE; Dispenser Model,PE,OD6.3	SA	1
19	2		DA97-13783A	ASSY COVER SWITCH; AW4-4D (F/S, C/D),FDR	SA	1
19-1	3	RY001	DA34-00043J	SWITCH REED; UL1007 AWG 22,50mm	SA	1
19-2	3		DA63-07513A	COVER REED SWITCH; OPUS1-14,ABS,HB,COOL W	SA	1
20	2		DA97-20367A	ASSY COVER SLIDE; AW2 CD FACE LIFT	SA	1
20-1	3	RI200	DA63-04934A	COVER SLIDE-B; AW2 CD,ABS,COOL WHITE	SA	1
21	2		DA97-20834B	ASSY CASE PANTRY; AW2 F/L,print N	SNA	1
21-1	3	RI201	DA61-05181B	GUIDE-PANTRY; AW2 CD,HIPS,COOL WHITE,HG-1	SA	1
21-2	3		DA61-05179B	CASE PANTRY; AW2-14,HIPS,COOL WHITE	SNA	1
21-3	3		DA97-18429C	ASSY CASE PANTRY; AW2 F/L,TP GRAY,print N	SNA	1
21-3-1	4	RI546	DA63-04276A	COVER-PANTRY TRIM; AW2-PJT,HIPS,T2.5,HB,C	SNA	1
21-4	3		DA97-19988B	ASSY ROLLER; MOUTON,18PI	SA	2
21-5	3	RI299	DA66-00580A	ROLLER-PANTRY; POM,NATURAL	SA	1
22	2	RI543	DA97-14303A	ASSY COVER VEG-REF; AW2-CD14	SA	1
22-1	3	RI208	DA61-03166A	FIXER-COVER VEG; AW,POM,WHITE,HB,K300	SA	2
22-2	3	RI262	DA64-03209B	KNOB-HUMIDITY; OPUS1-PJT,ABS,COOL WHITE(S	SA	2
22-3	3		DA97-15997A	ASSY ROLLER; RF9000JC,24	SA	2
22-4	3	RI209	DA61-05222B	REINF-COVER VEG; AW2 CD,PO-SPHC,T2,BLACK	SA	1
22-5	3		DA61-10523A	CASE LOCK-A; RF9000JC,POM,Natural,K300	SA	2
22-6	3	RR164	DA66-00718A	LEVER-HUMIDITY; AW3,HIPS,COOL WHITE(SC-03	SA	2
22-7	3	RR008	6002-000213	SCREW-TAPPING; TH,+,1,M4,L12,ZPC(WHT),SWR	SA	4

3. Cabinet1

Exploded View



Parts List

No.	Lvl.	Loc.	Material Code	Description & Specification	SNA	Qty.
1	2	RI305	DA61-04932B	FIXER-HINGE; PO-SPHC,T3,Zn coating	SA	2
2	2		DA61-10859A	HINGE-MIDDLE LEFT; RF9000K,Zn,-,SILVER,ZN	SA	1
3	2	RO518	DA62-03914A	FITTING TUBE; PP,ID1/4	SA	1
4	2	RY756	DA63-06410A	GROMMET HINGE-MID; AW3,POM,BLACK	SA	2
5	2		DA97-15662D	ASSY HOSE-REF; AW3-14	SA	1
5-1	3	RR008	6002-000213	SCREW-TAPPING; TH,+,1,M4,L12,ZPC(WHT),SWR	SA	9
5-2	3		DA60-00336A	FITTING TUBE; POM,ID1/4	SNA	1
5-3	3	RR094	DA61-04522A	CLIP-FITTING LOCK; AW,POM,NATURAL	SA	2
5-4	3		DA61-11161A	FIXER HANDLE; AW3-14,SWRCH10A,M8	SA	4
5-5	3	RC001	DA62-01329A	PIPE-CONNECT WATER PACKING; ET-PJT,BRASS,	SA	1
5-6	3	RO207	DA62-01378B	VALVE-FITTING PU; AT06,C3604	SA	1

No.	Lvl.	Loc.	Material Code	Description & Specification	SNA	Qty.
5-7	3	RU304	DA63-04744A	COVER-CHECK VALVE; HM,PP,HB,INNER GRAY,Re	SA	1
5-8	3	RW963	DA65-20110B	CABLE CLAMP; PA66	SA	8
5-9	3		DA67-03197A	CAP-WRENCH; AW3-PJT,PVC,BLACK	SA	1
5-10	3	RR072	DA74-00070B	VALVE-FITTING NUT; A-TOP,C3604,gold	SA	2
5-11	3		DA80-00026B	WRENCH-SPANNER; AW3,SM45C,Zn Plating	SA	1
5-12	3		DA99-04158A	ASSY ACCESSORY; ROMANEE CONTI,ADJUSTMENT	SA	1
5-12-1	4	RO440	DA60-00314A	FASTENER-HINGE; ROMANEE CONTI,POM,BLACK	SA	1
5-12-2	4	RO440	DA60-00314B	FASTENER-HINGE; ROMANEE CONTI,POM,T1.5,BL	SA	1
5-12-3	4	RO440	DA60-00314C	FASTENER-HINGE; ROMANEE CONTI,POM,T2.0,BL	SC	1
5-12-4	4	RO440	DA60-00314D	FASTENER-HINGE; ROMANEE CONTI,POM,T2.5,BL	SA	1
6	2	RO707	DA97-20552H	ASSY COVER CONTROL; AW2,DISPENSER, FRANCE	SA	1
7	2	RO041	DA97-12573A	ASSY HINGE UPP-L; AW4,T3.0,BLACK	SA	1
7-1	3	RR008	6002-000213	SCREW-TAPPING; TH,+,1,M4,L12,ZPC(WHT),SWR	SA	1
7-2	3	RR009	6002-000215	SCREW-TAPPING; TH,+,1,M4,L16,ZPC(WHT),SWR	SA	1
7-3	3	RO129	DA61-08309A	HINGE-UPP L; AW4,PO-SPHC,T3,-,-,-,ELETR	SA	1
7-4	3	RK777	DA63-50192A	SHIM-HINGE UPP; PVC,T1.0,T1.0	SA	1
7-5	3	RO175	DA66-00950A	CAM-AUTO CLOSE L; AW4,POM,BLACK	SA	1
8	2	RO042	DA97-12574A	ASSY HINGE UPP-R; AW4,T3.0,BLACK	SA	1
8-1	3	RR008	6002-000213	SCREW-TAPPING; TH,+,1,M4,L12,ZPC(WHT),SWR	SA	1
8-2	3	RR009	6002-000215	SCREW-TAPPING; TH,+,1,M4,L16,ZPC(WHT),SWR	SA	1
8-3	3	RO128	DA61-08310A	HINGE-UPP R; AW4,PO-SPHC,T2.9,-,-,-,ELETR	SA	1
8-4	3	RK777	DA63-50192A	SHIM-HINGE UPP; PVC,T1.0,T1.0	SA	1
8-5	3	RO573	DA66-00951A	CAM-AUTO CLOSE R; AW4,POM,BLACK	SA	1
9	2		DA61-10861A	HINGE-MIDDLE RIGHT; RF9000K,Zn,-,SILVER,Z	SA	1
10	2	RO133	DA97-20072F	ASSY TOP TABLE; RF6000T,ABS,INOX GRAY	SA	1
10-1	3		DA92-00817A	ASSY MODULE; BUZZER PBA,RB6000K	SA	1
10-2	3		DA96-01410A	ASSY WIRE HARNESS-TOP; RF6000T, TOP, BUZZE	SA	1
10-3	3	RY001	DA34-00043J	SWITCH REED; UL1007 AWG 22,50mm	SA	2
10-4	3	RO250	DA61-08227A	PLATE-COVER HINGE; AW4,GI-SGCC,T0.3	SA	1
10-5	3	RO930	DA64-04477B	TOP TABLE; ROMANEE CONTI,ABS,INOX GRAY,HG	SNA	1

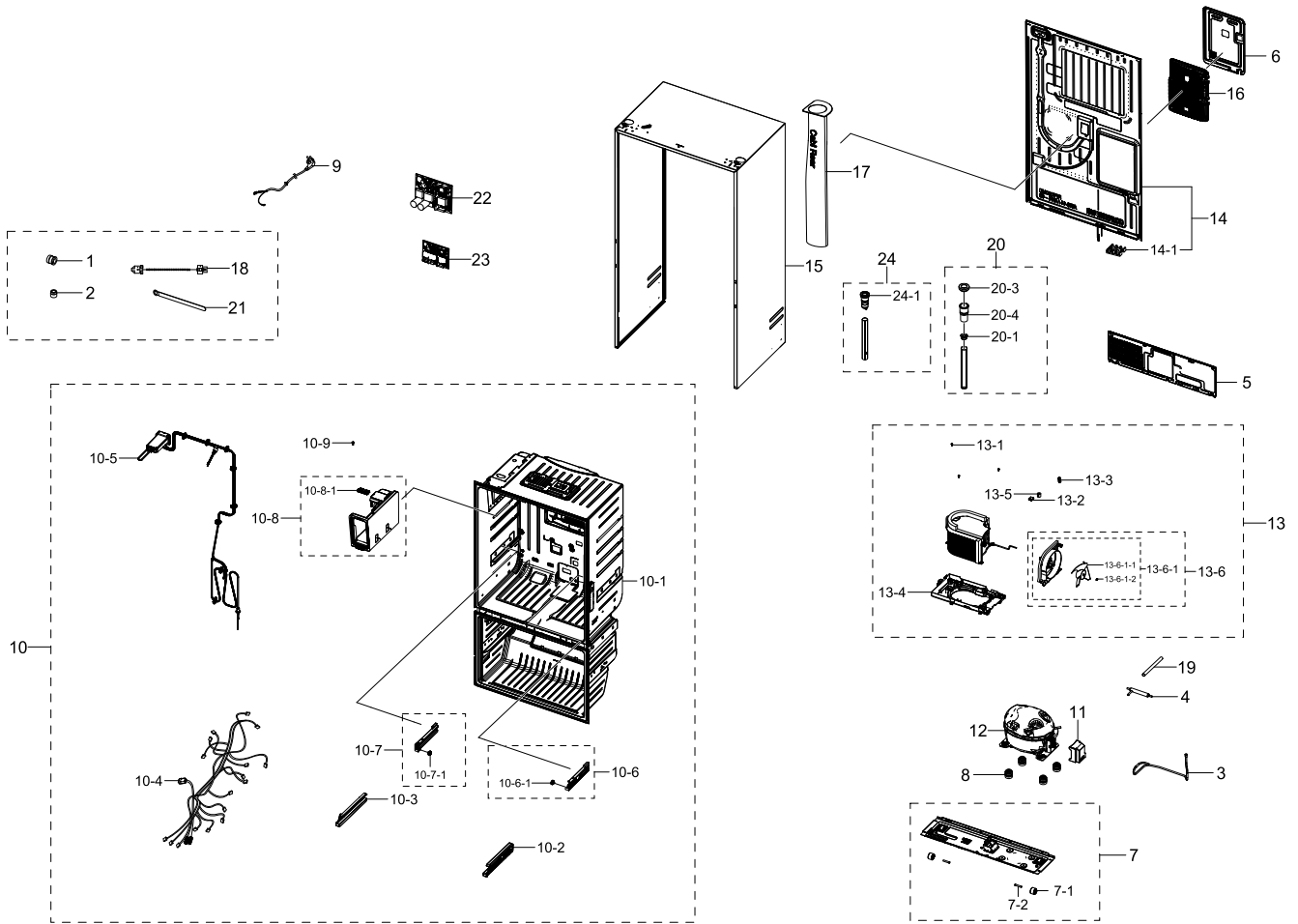
Exploded Views and Parts List

No.	Lvl.	Loc.	Material Code	Description & Specification	SNA	Qty.
11	2		DA97-08494B	ASSY COVER-FIXER WATER; OPUS1,ASSY	SNA	1
12	2		DA97-12556L	ASSY CABI-BOTTOM FRONT; AW FACE LIFT,URBA	SNA	1
12-1	3	RR008	6002-000213	SCREW-TAPPING; TH,+,1,M4,L12,ZPC(WHT),SWR	SA	4
12-2	3	RK537	DA60-10123E	BOLT-HEX; M6,L19,ZPC(WHT),SWRCH18A,HH Hea	SA	4
12-3	3	RH012	DA61-01920A	FIXER-CASTER; ZPC2,SWRCH10A,OD8.0,L58	SA	2
12-4	3	RO360	DA61-04702A	CASTER-FRONT; AW-PJT,PP,BJ750+S700B PP(M/	SA	2
12-5	3	RO100	DA61-07972B	FOOT-FRONT; POLARIS,PP,BLACK,INSERT NUT,	SA	2
12-6	3	RO049	DA61-07973B	FOOT; POLARIS,PP,BLACK,PP_S,0103-007539,Y	SA	2
12-7	3		DA97-20372A	ASSY SUPPORT-FRONT; AW FACE LIFT	SA	2
12-7-1	4	RY454	DA66-00793A	SHAFT-LEG FRONT; POLARIS,SWRCH10A,BLACK,E	SA	2
13	2		DA97-13803B	ASSY CABI BOTTOM-REAR; AW2-CD-14,URETHANE	SNA	1
13-1	3		DA64-05373A	TRIM BLADE; AW3-14,PVC,GRAY	SA	1
14	2	RI223	DA63-04942A	COVER-RAIL LOW L; AW2 CD,ABS,COOL WHITE,S	SA	1
15	2	RI224	DA63-04941A	COVER-RAIL LOW R; AW2 CD,ABS,COOL WHITE,S	SA	1
16	2		DA97-14385A	ASSY HANGER-LOW; AW2-CD14,ASS'Y	SA	1
16-1	3	RY478	DA61-03769B	MAGNET; SVETA,FERRITE,1600Gauss	SA	1
16-2	3		DA66-00437H	SHAFT; AW3-14,CFRP,715.1,8X8,BLACK,DOOR F	SA	1
16-3	3	RU495	DA67-02795C	CAP-SHAFT HOLE; AW3,ABS,HG-0760GP,SNOW WH	SA	1
16-4	3		DA97-13261C	ASSY RAIL-LOW LEFT; AW2-CD,RAIL SLIDE LOW	SA	1
16-4-1	4	RO151	DA34-00047B	SWITCH PRESSURE; COOL WHITE	SA	1
16-4-2	4	RD094	DA61-05189A	HANGER-RAIL LOW L; AW2 CD,EGI-SECC,COOL W	SNA	1
16-4-3	4	RR040	DA61-03154A	FIXER-GEAR; AW-PJT,POM,NATURAL,F20-03	SA	1
16-4-4	4	RI184	DA61-08818A	RAIL-SLIDE LOW L; AW2-CD,SCP1,ZPC2,ASSY	SA	1
16-4-5	4		DA66-00751B	GEAR; AW3-14,POM,NATURAL,K300,RAIL LEFT	SNA	1
16-5	3		DA97-13262B	ASSY RAIL; AW2-CD,RAIL SLIDE LOW RIGHT, 8	SA	1
16-5-1	4	RR040	DA61-03154A	FIXER-GEAR; AW-PJT,POM,NATURAL,F20-03	SA	1
16-5-2	4	RI185	DA61-08819A	RAIL-SLIDE LOW R; AW2-CD,SCP1,ZPC2,ASSY	SA	1

No.	Lvl.	Loc.	Material Code	Description & Specification	SNA	Qty.
16-5-3	4		DA66-00750B	GEAR; AW3-14,POM,NATURAL,K300,RAIL RIGHT	SNA	1
17	2		DA97-07526B	ASSY COVER RAIL PANTRY-LEFT; Roller type	SA	1
17-1	3		DA63-08423A	COVER RAIL-LEFT; HIPS,COOL WHITE,S834S1	SA	1
17-2	3		DA97-19988B	ASSY ROLLER; MOUTON,18PI	SA	1
18	2		DA97-07527K	ASSY COVER RAIL PANTRY-RIGHT; AW2 FACE LI	SA	1
18-1	3		DA63-08424B	COVER RAIL-RIGHT; AW2 Face Lift CD,HIPS,C	SNA	1
18-2	3		DA97-19988B	ASSY ROLLER; MOUTON,18PI	SA	1
19	2		DA60-00279A	FITTING-LOKRING 16; SUM23,16, 11SMnPb30K	SA	1
20	2	RK934	DA39-20389L	ASSY WIRE HARNESS-EARTH; EARTH,ALL,,,,,FR	SC	1
21	2	RO256	6003-001727	BOLT-ETC; M6,L20,ZPC(WHT),SWRCH18A,FH Hea	SA	4
22	2		DA63-08943A	GROMMET; BRR9000M,NBR,CAPI GROMMET	SA	1
23	2	RR963	6011-001656	BOLT-HEX; M6,L16,ZPC(WHT),HH,SWRCH22A,MAC	SA	8
24	2		6011-007289	BOLT-HEX; M6,L43.6,SWRCH10A,OD18	SA	4
25	2		DA02-00202A	SOLDER RING; ID6.4,91.75Cu/6.25P/2.0Ag,Nu	SNA	2
26	2		DA02-00202B	SOLDER RING; ID7.05,91.75Cu/6.25P/2.0Ag,N	SNA	2
27	2		DA02-00202C	SOLDER RING; ID:7.99,91.75Cu/6.25P/2.0Ag,	SNA	2
28	2		DA02-00202G	SOLDER RING; 0.6,OD:4.3,91.75Cu/6.25P/2.0	SNA	1

4. Cabinet2

Exploded View



Parts List

No.	Lvl.	Loc.	Material Code	Description & Specification	SNA	Qty.
1	2		DA60-00280A	FITTING-LOKRING 33; SUM23,33, 11SMnPb30K	SA	1
2	2		DA60-00367A	FITTING LOCK SLEEVE; SMF4030,COND OUT(4.7	SNA	1
3	2	RH085	DA62-03691A	PIPE CONNECT-SUCTION; RF9000, AW,Cu,OD6.3	SA	1
4	2	RH044	DA62-04309F	DRYER; C1220T-H,L137,SINGLE MOUTH,UL Mark	SA	1
5	2	RH001	DA97-12749J	ASSY COVER COMP; POLARIS,GL-SAZCC,T0.25,a	SA	1
6	2		DA97-08442D	ASSY COVER PCB-PANEL; AW4-4D	SA	1
7	2		DA97-12557F	ASSY CHASSIS COMP; RF9000N,NO HANDLE, FDR	SA	1
7-1	3	RR242	DA61-04703A	CASTER-REAR; AW-PJT,PP,BLACK,BJ750 PP M/B	SA	2

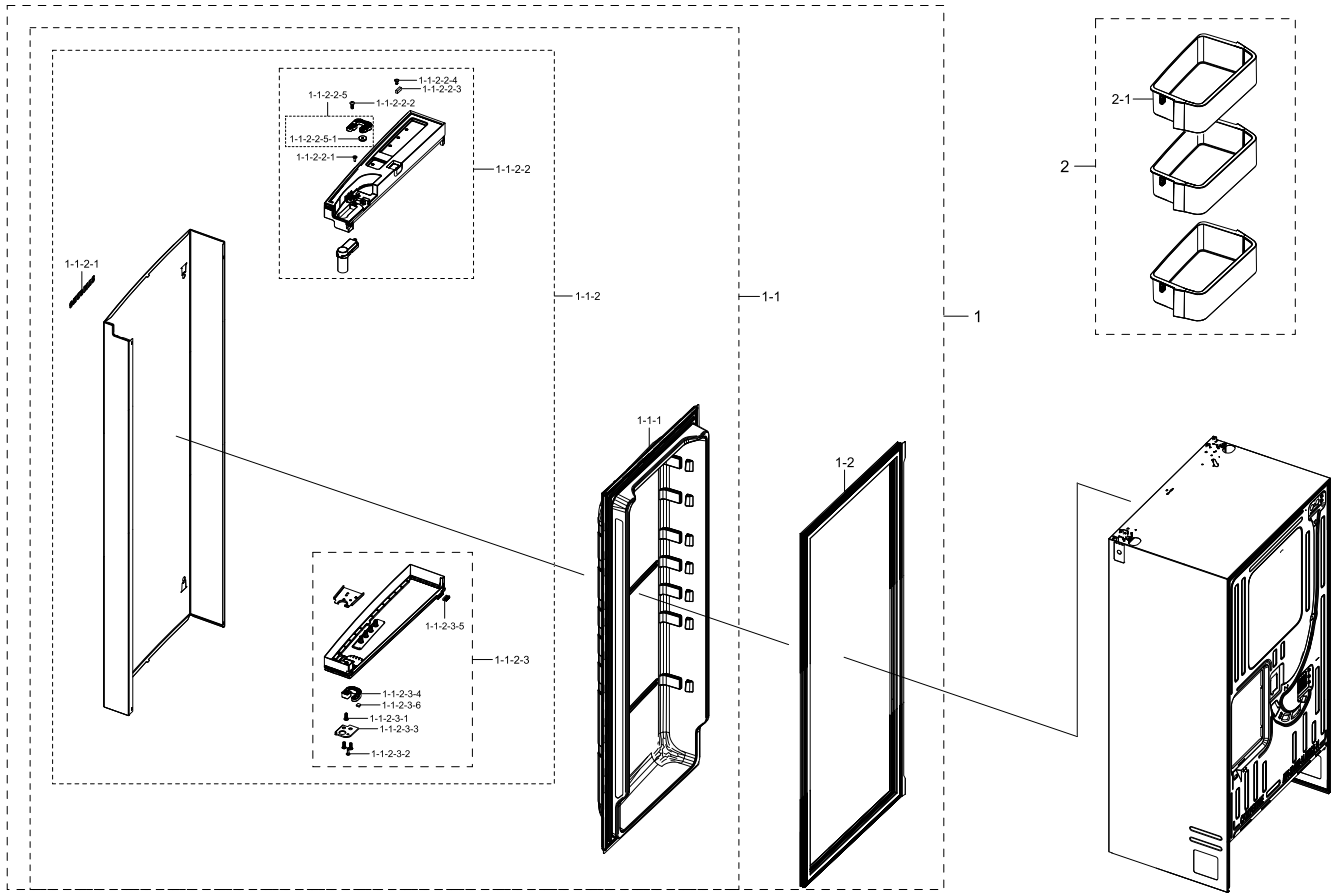
No.	Lvl.	Loc.	Material Code	Description & Specification	SNA	Qty.
7-2	3	RX039	DA66-00649B	SHAFT-CASTER; POLARIS,MSWR10,L44,ID8.0,OD	SA	2
8	2	RH732	DA63-09336B	GROMMET COMP; REF,IIR,BLACK	SA	4
9	2		3903-001011	POWER CORD-AT; H05VV-F 3x0.75mm2,BLK,EU3F	SA	1
10	2		DA94-05107D	ASSY LINER; AW2CD FACE LIFT, Urban Silver	SNA	1
10-1	3		DA61-13837C	LINER; AW2 CD FACD LIFT,ABS,QU-0191S,COOL	SNA	1
10-2	3	RF192	DA61-05238A	RAIL-FRE UPP R; AW2 CD,HIPS,NATURAL,S834S	SA	1
10-3	3		DA61-05251A	RAIL-FRE UPP L; AW2 CD,HIPS,NATURAL,S83	SA	1
10-4	3		DA96-01369Q	ASSY WIRE HARNESS-MAIN; AW2 F/L,I & M,FDR,6	SNA	1
10-5	3	RO279	DA97-16280J	ASSY PIPE SUCTION; AW2 F/L,R-600A only, C	SNA	1
10-6	3		DA97-13837A	ASSY RAIL-RIGHT; AW4-CD,VEG	SA	1
10-6-1	4		DA97-15997A	ASSY ROLLER; RF9000JC,24	SA	1
10-7	3		DA97-13838A	ASSY RAIL-LEFT; AW4-CD,VEG	SA	1
10-7-1	4		DA97-15997A	ASSY ROLLER; RF9000JC,24	SA	1
10-8	3		DA97-13763A	ASSY CASE ICE; AW4 CD	SNA	1
10-8-1	4		DA61-08190A	FIXER-BUCKET; AW4,HIPS,COOL WHITE,S834S1	SA	1
10-9	3	RR009	6002-000215	SCREW-TAPPING; TH,+,1,M4,L16,ZPC(WHT),SWR	SA	9
11	2	RH015	DA63-06122A	COVER RELAY; MSV,MPPO,T2,BLACK,V-0	SA	1
12	2		NF54K9151AME01	CMP,COMP,REFRIGERATOR,R-600A; CMP,COMP,REFRIGERATOR,R-600A	SA	1
13	2	RH003	DA97-15978F	ASSY TRAY DRAIN WATER; AW2 FaceLift,PFC-A	SA	1
13-1	3	RR008	6002-000213	SCREW-TAPPING; TH,+,1,M4,L12,ZPC(WHT),SWR	SA	3
13-2	3	RH054	DA63-04424A	GROMMET-COND SUB; AW,NBR,Black	SA	1
13-3	3		DA63-07323A	GROMMET-IMMERSION PIPE B; ROMANEE CONTI,N	SA	1
13-4	3	RH885	DA63-08236A	TRAY DRAIN-WATER; AW2-14,PP,HB,PFC Cond	SNA	1
13-5	3	RX020	DA63-40171B	GROMMET-SUCT PIPE A; NBR,ID4,OD20	SC	1
13-6	3	RO132	DA97-15765C	ASSY SUPPORT-CIRCUIT MOTOR; RH9000K	SA	1
13-6-1	4		DA31-00340A	MOTOR BLDC FAN; RMF002ASSA,1120 rpm,12V,0	SNA	1
13-6-1-1	5	RG062	DA31-00320A	FAN; HM12,ABS+GLASSFIBER,-,-,-,GR-4010/NT	SC	1
13-6-1-2	5	RR053	DA61-20128A	SPRING ETC-FAN; STS304,PI8.8,ID7.8,OD9.8,	SA	1
14	2		DA97-20819B	ASSY CABI-REAR; AW2 F/L,MONO	SNA	1
14-1	3	RO337	DA61-11296A	FIXER; AW3-14,HIPS,NATURAL,S834S1	SA	2

Exploded Views and Parts List

No.	Lvl.	Loc.	Material Code	Description & Specification	SNA	Qty.
15	2		DA97-20741D	ASSY CABI FRAME; AW2CD FACE LIFT,Urbansi	SNA	1
16	2		DA97-20069B	ASSY CASE PBA-MAIN; AW F/L,1-BOARD,AL TAP	SNA	1
17	2		DA97-14866A	ASSY GUIDE HOSE-BOTTOM; AW3-14,FOAM PE	SNA	1
18	2		DA96-01170A	ASSY WIRE HARNESS-COMP; ALL,ALL,FREE VOLT	SA	1
19	2		DA62-05093A	PIPE CONNECT-DISC; RF8000MC,Cu,OD6.35,T0.	SA	1
20	2	RZ110	DA97-04049E	ASSY CAP-DRAIN; AW3	SA	2
20-1	3	RG141	DA61-05021A	FIXER-DRAIN; HAEMIL,PP,T0.6,CARMEN WINE,B	SA	2
20-3	3	RO161	DA63-02761A	GROMMET-DRAIN; RS18RK,NBR,BLACK	SA	2
20-4	3	RZ111	DA67-01301A	CAP-DRAIN; AW4,HIPS,HB,S834S1,NATURAL	SA	2
21	2		DB61-00206A	HOLDER-WIRE; FDR / SBS,ZNDC,BLACK	SNA	1
22	1		DA94-05302A	ASSY PCB EEPROM; 0xEF,DA92-01139E,D602,D6	SA	1
23	1		DA92-00945F	ASSY MODULE; PBA-FUSE BLOCK,AW3 FACELIFT,	SA	1
24	2		DA97-04049S	ASSY CAP DRAIN; RH9000K,RUBBER,175,Blue	SA	1
24-1	3	RO162	DA63-00951C	GROMMET-DRAIN HOSE; V2-PJT,NBR,BLACK	SA	1

5. Door Refrigerator Right

Exploded View



Parts List

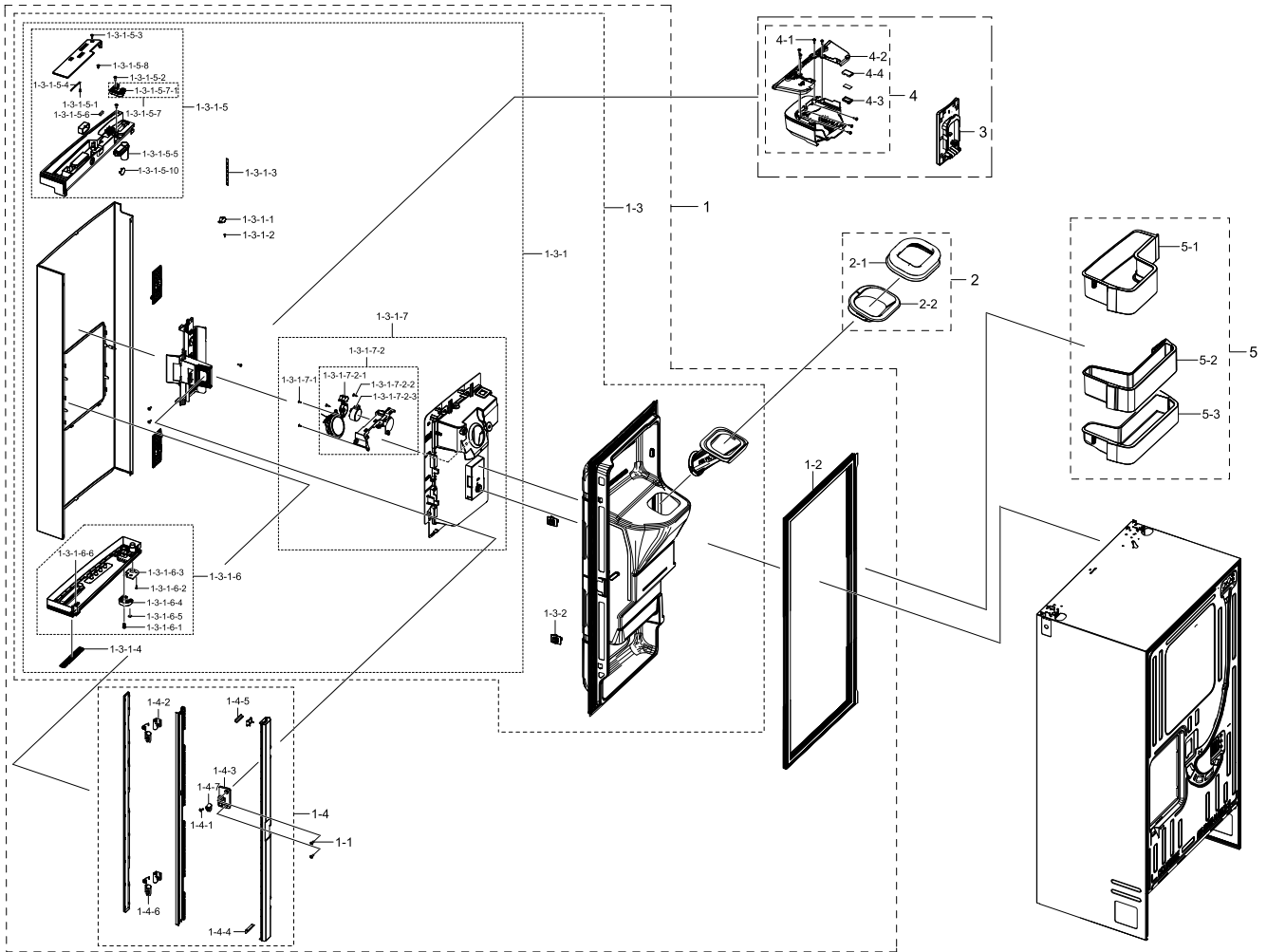
No.	Lvl.	Loc.	Material Code	Description & Specification	SNA	Qty.
1	2		DA93-00787A	ASSY DOOR SUB-REF RIGHT; AW2 F/L,SR	SNA	1
1-1	3		DA91-05220A	ASSY DOOR FOAM-REF RIGHT; AW2 F/L,SR	SA	1
1-1-1	4		DA64-04142A	PANEL DOOR-REF R; AW4,ABS,T1.65,429.7,103	SNA	1
1-1-2	4		DA97-20821A	ASSY PLATE DOOR-REF RIGHT; AW2 FACE LIFT,	SNA	1
1-1-2-1	5	RO716	DA64-04021C	MASCOT; ALL,Ni,T0.06,L90	SA	1
1-1-2-2	5		DA97-13867K	ASSY CAP DOOR-REF UP RIGHT; AW3-14 FACE L	SNA	1
1-1-2-2-1	6	RR013	6002-000613	SCREW-TAPPING; TH,+,-,2,M5,L16,ZPC(WHT),S	SA	1
1-1-2-2-2	6	RR016	6002-001122	SCREW-TAPPING; FH,+1,M4,L14,ZPC(WHT),SWR	SC	1
1-1-2-2-3	6	RY479	DA61-03769A	MAGNET-A; HERMES,FERRITE,1600Gauss	SA	1
1-1-2-2-4	6	RU495	DA67-02795C	CAP-SHAFT HOLE; AW3,ABS,HG-0760GP,SNOW WH	SA	1

Exploded Views and Parts List

No.	Lvl.	Loc.	Material Code	Description & Specification	SNA	Qty.
1-1-2-2-5	6	RO172	DA97-12625A	ASSY LEVER-AUTO CLOSE; AW4,POM,BLACK	SA	1
1-1-2-2-5-1	7	RO570	DA66-00440A	ROLLER-AUTO CLOSE; AW-PJT,PA6,BLACK	SA	1
1-1-2-3	5		DA97-14359K	ASSY CAP DOOR-REF LOW RIGHT; AW3-14 FACE	SNA	1
1-1-2-3-1	6	RK552	6001-000716	SCREW-MACHINE; TH,+,-,M5,L16,ZPC(WHT),MSW	SA	1
1-1-2-3-2	6	RR015	6002-001120	SCREW-TAPPING; FH,+,-,1,M4,L18,ZPC(WHT),SWR	SA	1
1-1-2-3-3	6	RE439	DA61-08817A	STOPPER DOOR-R; ROMANEE CONTI,PO-SPHC,T2.	SA	1
1-1-2-3-4	6		DA61-10855B	SUPPORT CAP DOOR-RIGHT; RF9000K,PK,M33R3A	SA	1
1-1-2-3-5	6	RD292	DA63-04825A	GROMMET-CHASSIS UP; SRT749,SI,T5.0,W20.0,	SA	1
1-1-2-3-6	6	RR067	DA63-40294A	GROMMET-STOPPER; T3XW8XL8,NR,-,-,-,-,-,-,-,	SA	1
1-2	3		DA97-13015J	ASSY GASKET-REF; AW2 FACELIFT,AW2 FACE LI	SA	1
2	2		DA97-20815A	ASSY GUARD PACKING; AW2-F/L,RIGHT	SNA	1
2-1	3		DA97-14314B	ASSY GUARD-REF RIGHT; AW2-F/L,TP GRAY	SA	3

6. Door Refrigerator Left

Exploded View



Parts List

No.	Lvl.	Loc.	Material Code	Description & Specification	SNA	Qty.
1	2		DA93-00791F	ASSY DOOR SUB-REF LEFT; AW2-CD F/L,SR	SNA	1
1-1	3	RR018	6002-001406	SCREW-TAPPING; TH,+,-,2S,M4,L12,ZPC(WHT),	SA	2
1-2	3		DA97-13015J	ASSY GASKET-REF; AW2 FACELIFT,AW2 FACE LI	SA	1
1-3	3		DA91-05224G	ASSY DOOR FOAM-REF LEFT; AW2-CD F/L,SR,NO	SA	1
1-3-1	4		DA97-20820G	ASSY PLATE DOOR-REF LEFT; AW2-CD F/L,SR,2	SNA	1
1-3-1-1	5		3405-001117	SWITCH-MICRO; 125/250VAC,1A,80gf,SPST-NO	SA	1
1-3-1-2	5	S0025	6002-000239	SCREW-TAPPING; TH,+,-,NO,2S,M4,L8,ZPC(WHT),	SA	1

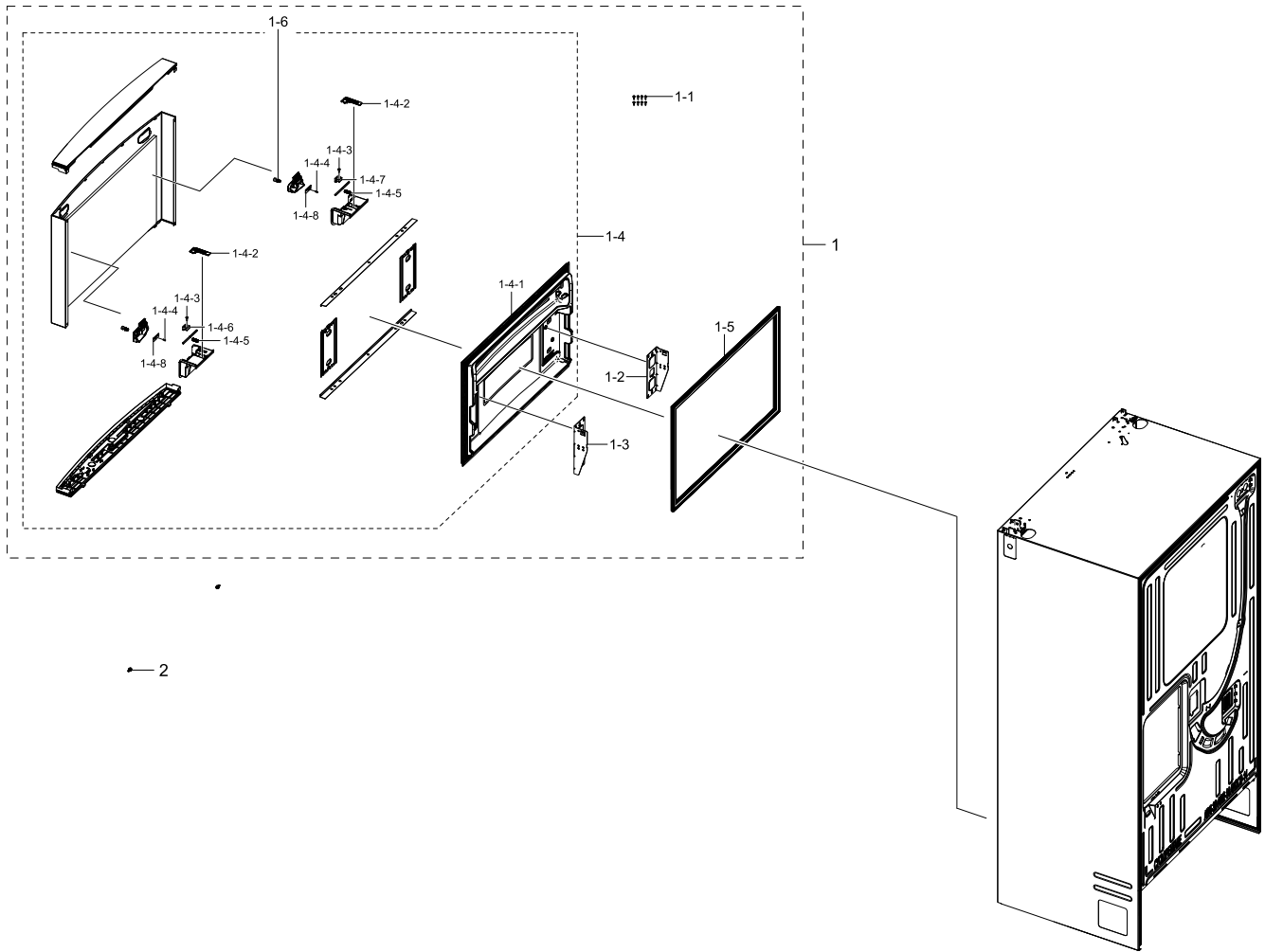
Exploded Views and Parts List

No.	Lvl.	Loc.	Material Code	Description & Specification	SNA	Qty.
1-3-1-3	5		DA41-00676J	ASSY LAMP LED; 2,FR-4,20*30,WHITE,SMAW250	SA	1
1-3-1-4	5	RU017	DA63-05524A	COVER-CAP DOOR LED; AW3,PC,T2,V-2,NATURAL	SA	1
1-3-1-5	5		DA97-20321T	ASSY CAP DOOR-REF UP LEFT; AW2-CD F/L,INO	SNA	1
1-3-1-5-1	6	RR014	6002-000630	SCREW-TAPPING; PH,+2S,M3,L8,ZPC(WHT),SWR	SA	1
1-3-1-5-2	6	RR013	6002-000613	SCREW-TAPPING; TH,+2,M5,L16,ZPC(WHT),S	SA	1
1-3-1-5-3	6	RR016	6002-001122	SCREW-TAPPING; FH,+1,M4,L14,ZPC(WHT),SWR	SC	2
1-3-1-5-4	6	RO302	DA32-00074A	SENSOR HUMIDITY; 5V,0~100%RH,REF	SA	1
1-3-1-5-5	6		DA96-01353J	ASSY WIRE HARNESS-DOOR; AW2 Facelift,BASI	SNA	1
1-3-1-5-6	6	RY479	DA61-03769A	MAGNET-A; HERMES,FERRITE,1600Gauss	SA	1
1-3-1-5-7	6	RO172	DA97-12625A	ASSY LEVER-AUTO CLOSE; AW4,POM,BLACK	SA	1
1-3-1-5-7-1	7	RO570	DA66-00440A	ROLLER-AUTO CLOSE; AW-PJT,PA6,BLACK	SA	1
1-3-1-5-8	6	RU495	DA67-02795C	CAP-SHAFT HOLE; AW3,ABS,HG-0760GP,SNOW WH	SA	1
1-3-1-5-10	6		DA67-03218D	CAP-INTERLOCK SWITCH HOLE; ROMANEE CONTI,	SA	1
1-3-1-6	5		DA97-14358K	ASSY CAP DOOR-REF LOW LEFT; AW3-14 FACE L	SNA	1
1-3-1-6-1	6	RK552	6001-000716	SCREW-MACHINE; TH,+2,M5,L16,ZPC(WHT),MSW	SA	1
1-3-1-6-2	6	RR015	6002-001120	SCREW-TAPPING; FH,+1,M4,L18,ZPC(WHT),SWR	SA	1
1-3-1-6-3	6	RD070	DA61-08816A	STOPPER DOOR-L; ROMANEE CONTI,PO-SPHC,T2.	SA	1
1-3-1-6-4	6		DA61-10856B	SUPPORT CAP DOOR-LEFT; RF9000K,PK,M33R3A0	SA	1
1-3-1-6-5	6	RR067	DA63-40294A	GROMMET-STOPPER; T3XW8XL8,NR,-,-,-,-,-,-,-,-,-,-,	SA	1
1-3-1-6-6	6	RD292	DA63-04825A	GROMMET-CHASSIS UP; SRT749,SI,T5.0,W20.0,	SA	1
1-3-1-7	5		DA97-16034L	ASSY CASE DISPENSER; AW F/L,INOX METAL,ON	SNA	1
1-3-1-7-1	6	RR012	6002-000471	SCREW-TAPPING; TH,+1,M4,L12,PASS,STS304	SNA	2
1-3-1-7-2	6		DA97-17296B	ASSY CASE ICE ROUTE; RF8000MC,220V	SA	1
1-3-1-7-2-1	7		3405-001117	SWITCH-MICRO; 125/250VAC,1A,80gf,SPST-NO	SA	2
1-3-1-7-2-2	7	RR016	6002-001122	SCREW-TAPPING; FH,+1,M4,L14,ZPC(WHT),SWR	SC	2

No.	Lvl.	Loc.	Material Code	Description & Specification	SNA	Qty.
1-3-1-7-2-3	7	RF261	DA31-00079C	MOTOR GEARED AC DISP; MVLB15AR81/MCFB182A	SA	1
1-3-2	4		DA97-05038A	ASSY-GROMMET FRENCH; AW-PJT,-,-,-	SNA	2
1-4	3		DA97-12624D	ASSY FRENCH; AW4,THAI-SILVER,230V	SA	1
1-4-1	4	RR008	6002-000213	SCREW-TAPPING; TH,+,1,M4,L12,ZPC(WHT),SWR	SA	1
1-4-2	4	RD098	DA61-08305A	HINGE FRENCH; AW4,PA6,T2,COOL WHITE,HI702	SA	2
1-4-3	4	RI239	DA63-03454B	COVER-HEATER FRENCH; AW-PJT,PC,COOL-WHITE	SA	1
1-4-4	4	RO169	DA63-06842B	GASKET-FRENCH LOW; AW-PJT,SI,GRAY	SA	1
1-4-5	4		DA63-06959A	GASKET-FRENCH UPP; AW4,SI,GRAY	SA	1
1-4-6	4	RE471	DA67-01650A	CAP-CASE FRENCH; AW-PJT,ABS,HG-0760GP,CO	SA	2
1-4-7	4	RE091	DA67-01701A	CAP-CASE FRENCH MID; AW-PJT,ABS,HG-0760GP	SA	1
2	2		DA97-12594A	ASSY CAP-CHUTE ICE; AW4-PJT	SA	1
2-1	3	RD770	DA63-08248A	GASKET; FDSR,TPE,WHITE	SA	1
2-2	3	RD266	DA67-03312A	CAP-CHUTE ICE; AW4,HIPS,T2.5,HB,S834S1,CO	SA	1
3	2		DA97-17297C	ASSY LEVER DISPENSER; AW facelift,No prin	SA	1
4	2		DA97-17299Q	ASSY COVER DISPENSER; AW2CD F/L,SILVER,4-	SA	1
4-1	3	RR014	6002-000630	SCREW-TAPPING; PH,+,2S,M3,L8,ZPC(WHT),SWR	SA	7
4-2	3	RD380	DA63-09533B	COVER DISPENSER; ABS+PMMA,T2,INOX METAL,A	SNA	1
4-3	3	RU012	DA61-07581A	CASE LAMP-LED; POLARIS,GPPS,20.4,20.4,TP	SA	1
4-4	3		DA63-06505A	COVER LAMP-LED; POLARIS,ABS,HB,NATURAL,TX	SA	1
5	2		DA97-20816A	ASSY GUARD PACKING; AW2-F/L,LEFT	SNA	1
5-1	3		DA97-13804E	ASSY GUARD-REF UP; AW3-F/L,TP GRAY	SA	1
5-2	3		DA97-14301E	ASSY GUARD-REF MIDDLE; AW2-F/L,TP GRAY	SA	1
5-3	3	RI161	DA97-14302E	ASSY GUARD-REF LOW; AW2-F/L,TP GRAY	SA	1

7. Door Freezer

Exploded View



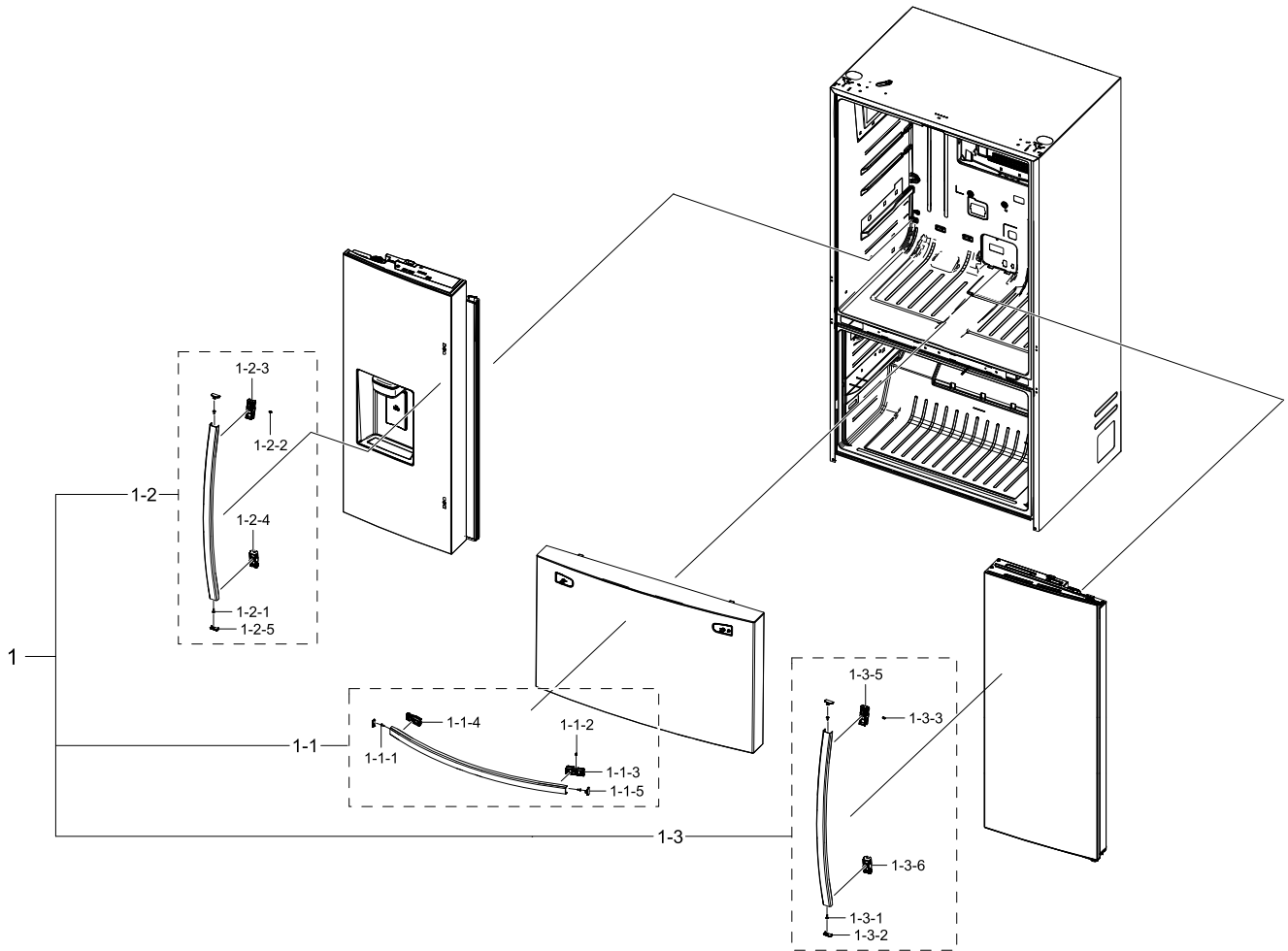
Parts List

No.	Lvl.	Loc.	Material Code	Description & Specification	SNA	Qty.
1	2		DA93-00804E	ASSY DOOR SUB-FRE; AW2-CD F/L,SR	SNA	1
1-1	3	RR013	6002-000613	SCREW-TAPPING; TH,+,-,2,M5,L16,ZPC(WHT),S	SA	8
1-2	3	RD092	DA61-03153B	HANGER-RAIL FRONT L; AW-PJT,EGI-SECC,COOL	SA	1
1-3	3	RD093	DA61-03155B	HANGER-RAIL FRONT R; AW-PJT,EGI-SECC,COOL	SA	1
1-4	3	RD001	DA91-05243F	ASSY DOOR FOAM-FRE; AW2-CD F/L,SR,VIP(Y)	SA	1
1-4-1	4		DA64-04623A	PANEL-FRE; AW2-14,ABS,QU-0191S,COOL WHITE	SNA	1
1-4-2	4	RU036	DA61-08234A	SLIDER-EASY HANDLE; AW4,POM,CREAMY-STS,F2	SA	2

No.	Lvl.	Loc.	Material Code	Description & Specification	SNA	Qty.
1-4-3	4	RR009	6002-000215	SCREW-TAPPING; TH,+,1,M4,L16,ZPC(WHT),SWR	SA	2
1-4-4	4	RR014	6002-000630	SCREW-TAPPING; PH,+,2S,M3,L8,ZPC(WHT),SWR	SA	1
1-4-5	4	RD157	DA61-04335A	SPRING ETC-EASY HANDLE; 08 AW1,2-PJT,HSWR	SC	2
1-4-6	4	RU029	DA61-05899A	FIXER-SHAFT R; AW3,POM,NATURAL	SA	1
1-4-7	4	RU028	DA61-05930A	FIXER-SHAFT L; AW3,POM,NATURAL	SA	1
1-4-8	4	RF219	DA61-06658A	REINF-CAP HANDLE; AW3,HGI-SGHC,T1.6	SA	2
1-5	3		DA97-12522W	ASSY GASKET-FRE; AW2 FACELIFT,GASKET-SECT	SA	1
1-6	3		DA61-11161A	FIXER HANDLE; AW3-14,SWRCH10A,M8	SA	2
2	2	RR963	6011-001656	BOLT-HEX; M6,L16,ZPC(WHT),HH,SWRCH22A,MAC	SA	4

8. Handle Parts

Exploded View



Parts List

No.	Lvl.	Loc.	Material Code	Description & Specification	SNA	Qty.
1	2	RO317	DA97-20312A	ASSY HANDLE-KIT; AW2 F/L,REAL STS	SA	1
1-1	3	RO011	DA97-20017A	ASSY HANDLE-FRE; AW F/L,REAL STS304	SA	1
1-1-1	4	RR008	6002-000213	SCREW-TAPPING; TH,+,1,M4,L12,ZPC(WHT),SWR	SA	2
1-1-2	4	RS030	6009-001526	SCREW-SET; -,HEX,-,#10-24 UNC 2B,L9,PASS,	SA	1
1-1-3	4		DA61-13480A	SUPPORT HANDLE-FRE RIGHT; AW F/L,POM,GF-7	SA	1
1-1-4	4		DA61-13481A	SUPPORT HANDLE-FRE; AW F/L,POM,GF-702,NAT	SA	1
1-1-5	4		DA67-04806A	CAP HANDLE-FRE; AW F/L,ABS,MP-0160R,NATUR	SA	2
1-2	3		DA97-20021A	ASSY HANDLE-REF LEFT; AW F/L,REAL STS304	SA	1

No.	Lvl.	Loc.	Material Code	Description & Specification	SNA	Qty.
1-2-1	4	RR008	6002-000213	SCREW-TAPPING; TH,+,1,M4,L12,ZPC(WHT),SWR	SA	2
1-2-2	4	RS030	6009-001526	SCREW-SET; -,HEX,-,#10-24 UNC 2B,L9,PASS,	SA	1
1-2-3	4		DA61-13478A	SUPPORT HANDLE-REF UP; AW F/L,POM,GF-702,	SA	1
1-2-4	4		DA61-13479A	SUPPORT HANDLE-REF; AW F/L,POM,GF-702,NAT	SA	1
1-2-5	4		DA67-04805A	CAP HANDLE-REF; AW F/L,ABS,MP-0160R,NATUR	SA	2
1-3	3		DA97-20019A	ASSY HANDLE-REF R; AW F/L,AL,REAL STS304	SA	1
1-3-1	4	RR008	6002-000213	SCREW-TAPPING; TH,+,1,M4,L12,ZPC(WHT),SWR	SA	2
1-3-2	4		DA67-04805A	CAP HANDLE-REF; AW F/L,ABS,MP-0160R,NATUR	SA	2
1-3-3	4	RS030	6009-001526	SCREW-SET; -,HEX,-,#10-24 UNC 2B,L9,PASS,	SA	1
1-3-5	4		DA61-13478A	SUPPORT HANDLE-REF UP; AW F/L,POM,GF-702,	SA	1
1-3-6	4		DA61-13479A	SUPPORT HANDLE-REF; AW F/L,POM,GF-702,NAT	SA	1