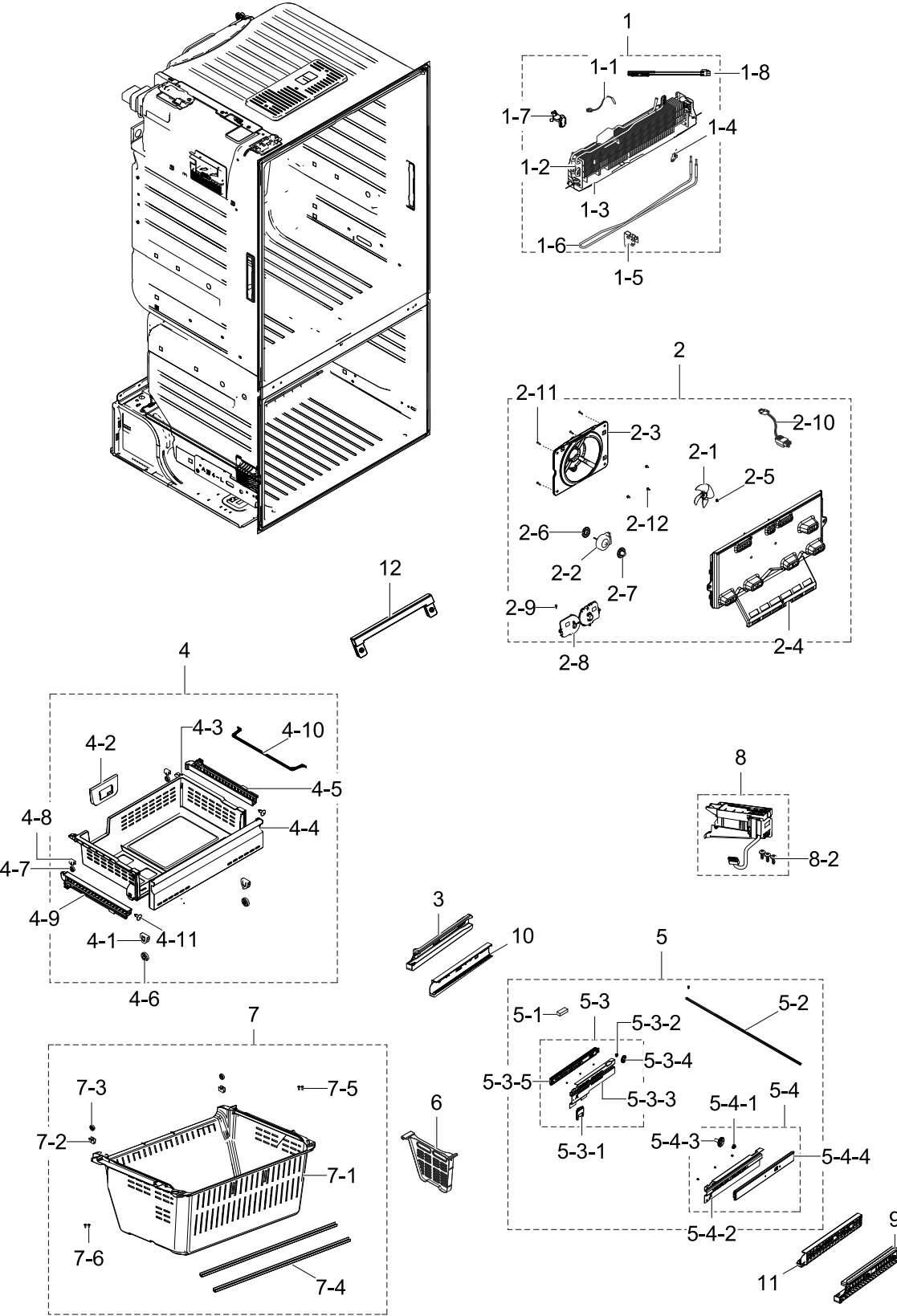


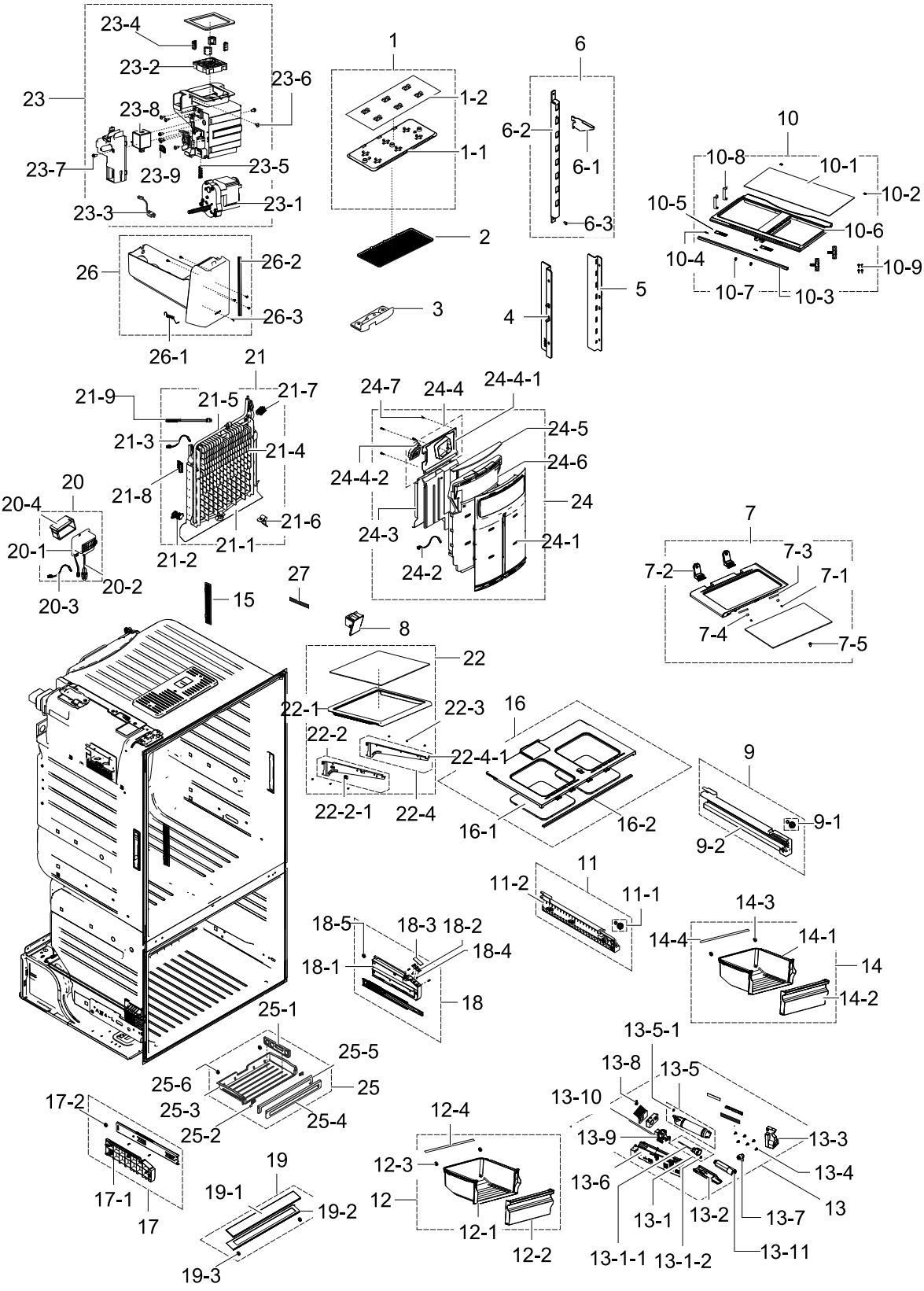
# 1. Freeze

## Exploded View



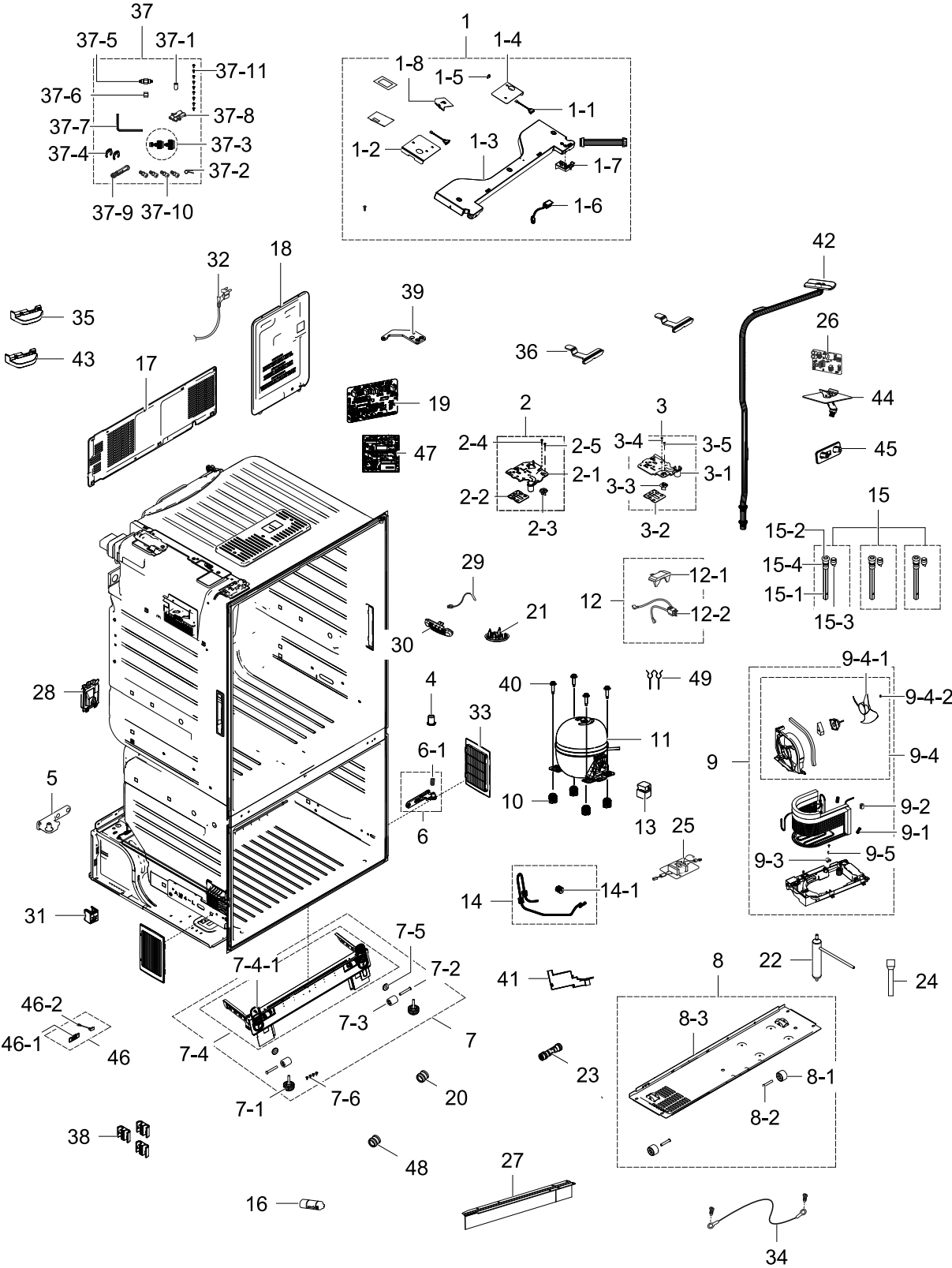
# 2. Fridge

## Exploded View



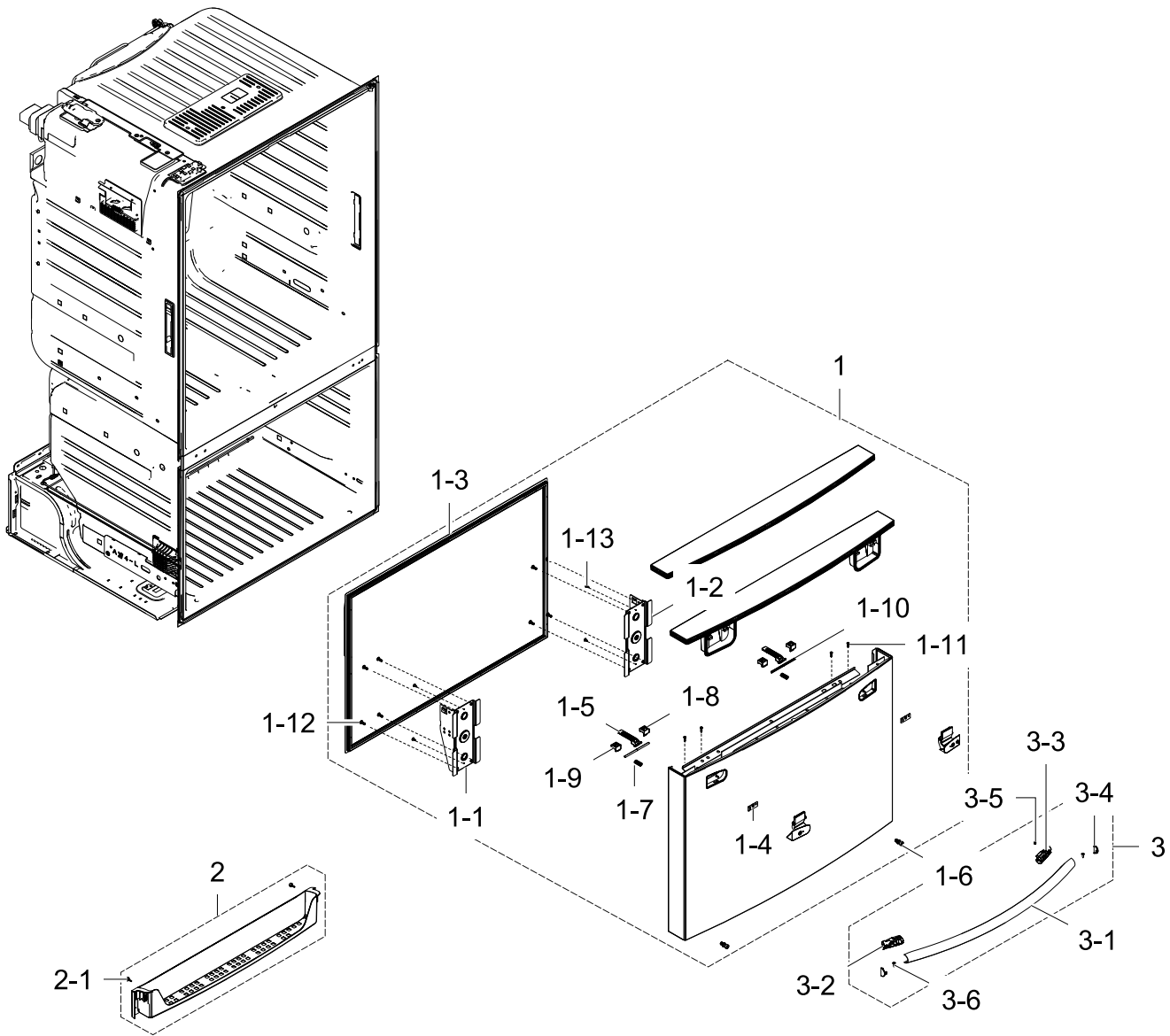
# 3. Cabinet

## Exploded View



# 4. Freeze Door

## Exploded View

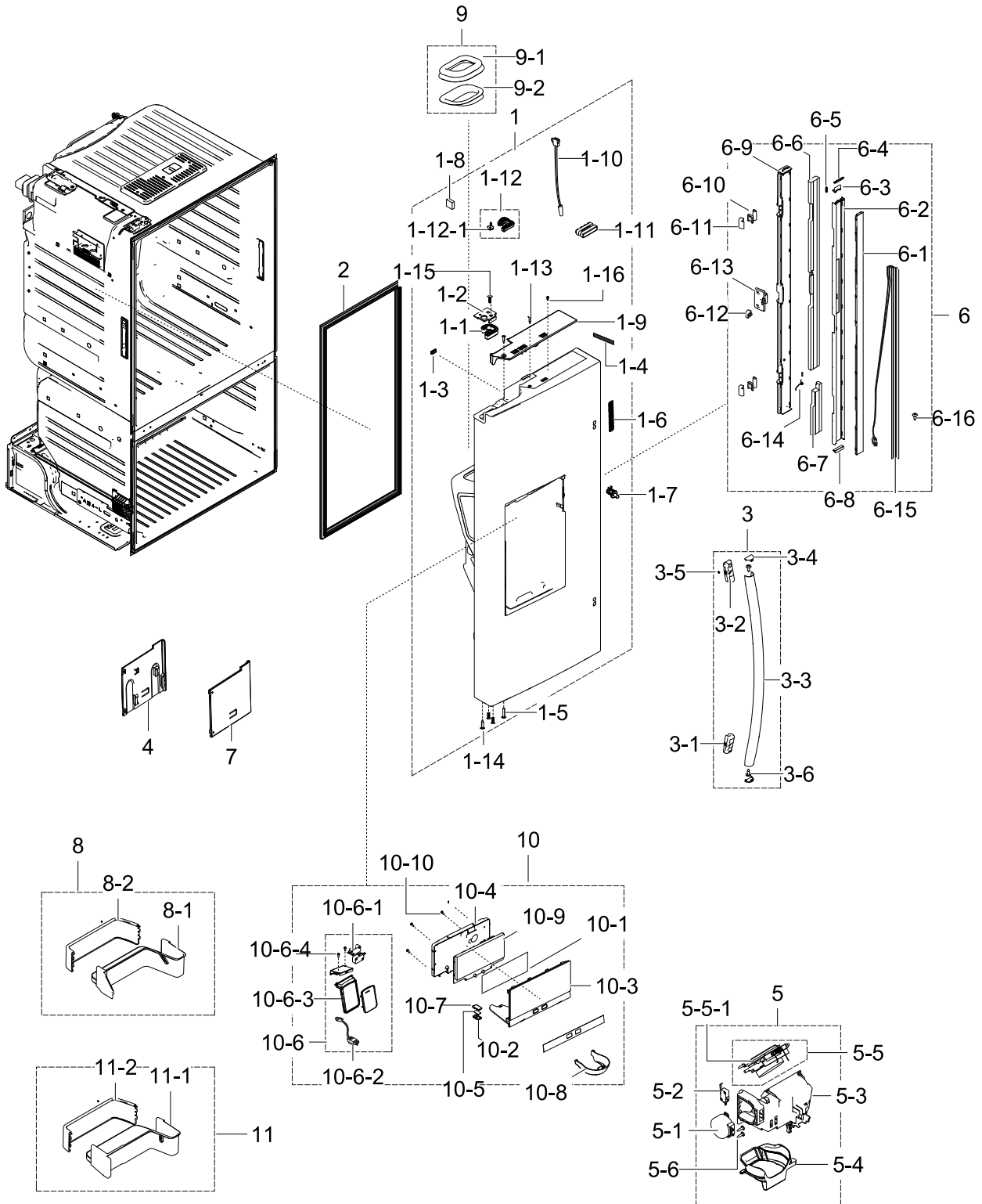


## Parts List

No.	Lvl.	Loc.	Material Code	Description & Specification	SNA	Qty.
1	2	RD700	DA97-14300N	ASSY DOOR; AW2-CD 14 FDSR,FRE	SA	1
1-1	3	RD092	DA61-03153B	HANGER-RAIL FRONT L; AW-PJT,SECC1,T2.0,CO	SA	1
1-2	3	RD093	DA61-03155B	HANGER-RAIL FRONT R; AW-PJT,SECC1,T2.0,CO	SA	1
1-3	3	RU513	DA97-12522J	ASSY-GASKET DOOR FRE; AW4,GRAY(SC-97478)	SA	1
1-4	3	RF219	DA61-06658A	REINF-CAP HANDLE; AW3,HGI-SGHC,T1.6	SA	2
1-5	3	RU036	DA61-08234A	SLIDER-EASY HANDLE; AW4,POM,CREAMY-ST5,F2	SA	2

# 5. Fridge Door Left

## Exploded View



# 6. Fridge Door Right

## Exploded View

