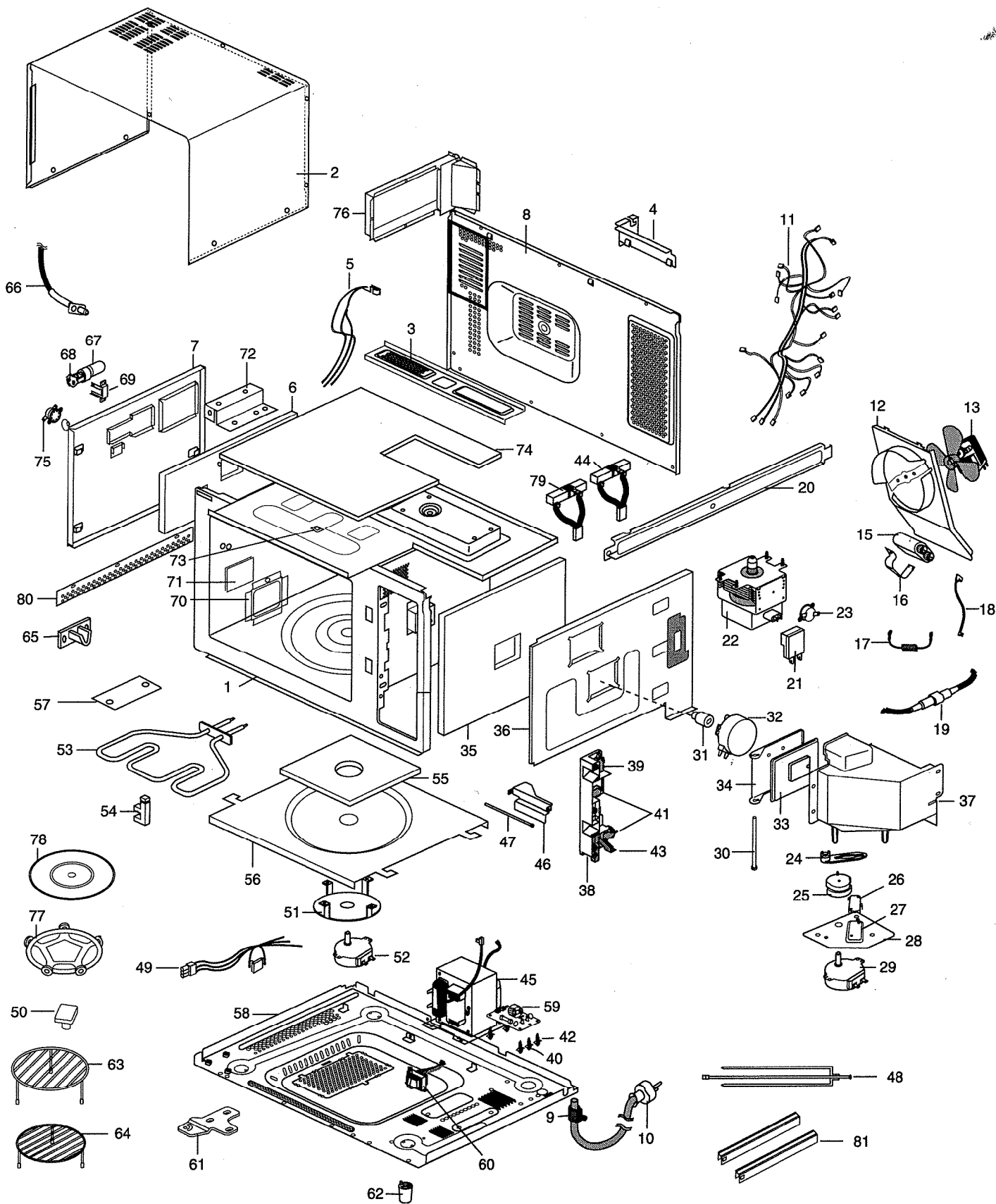
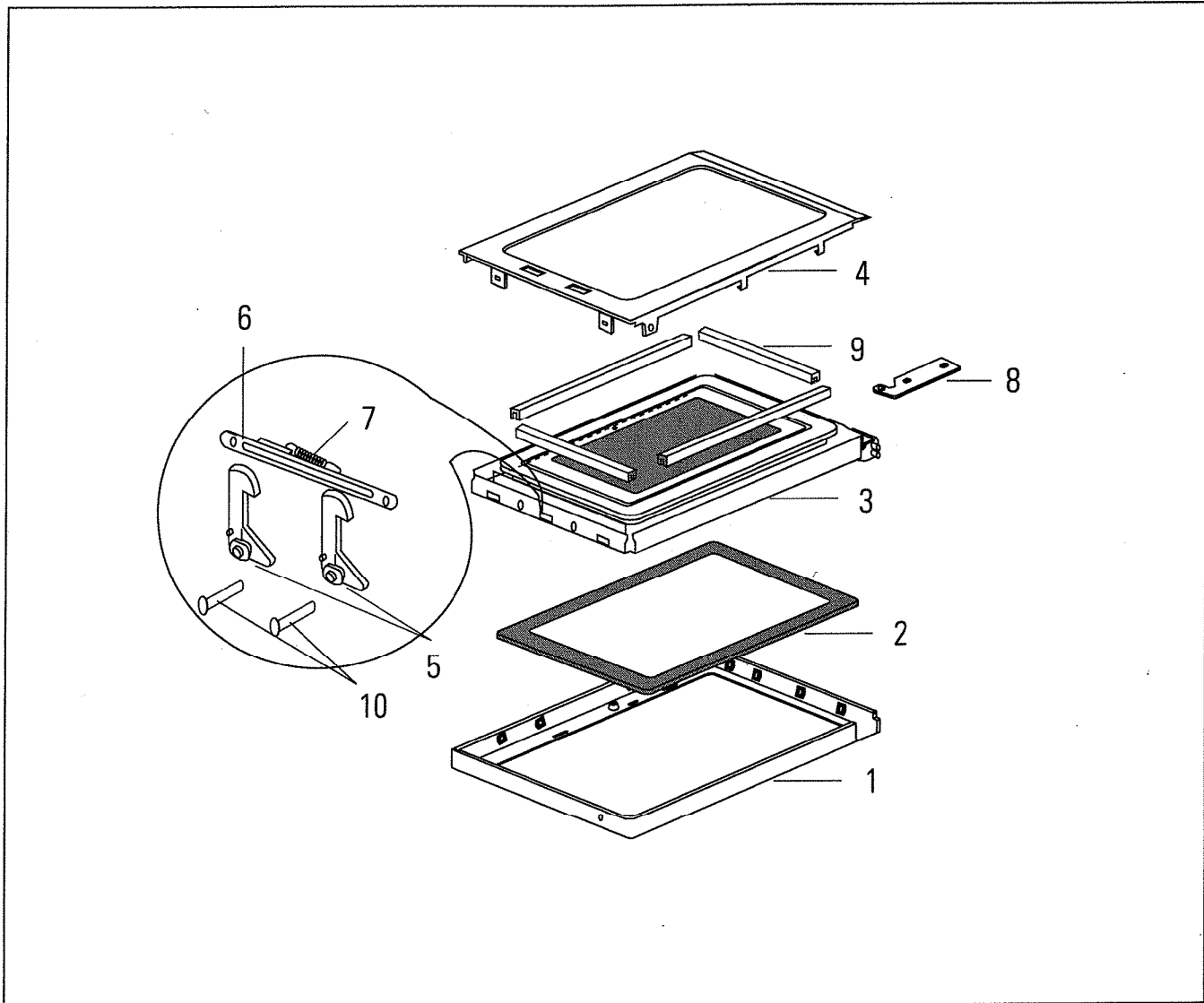


Exploded View - Cavity Parts

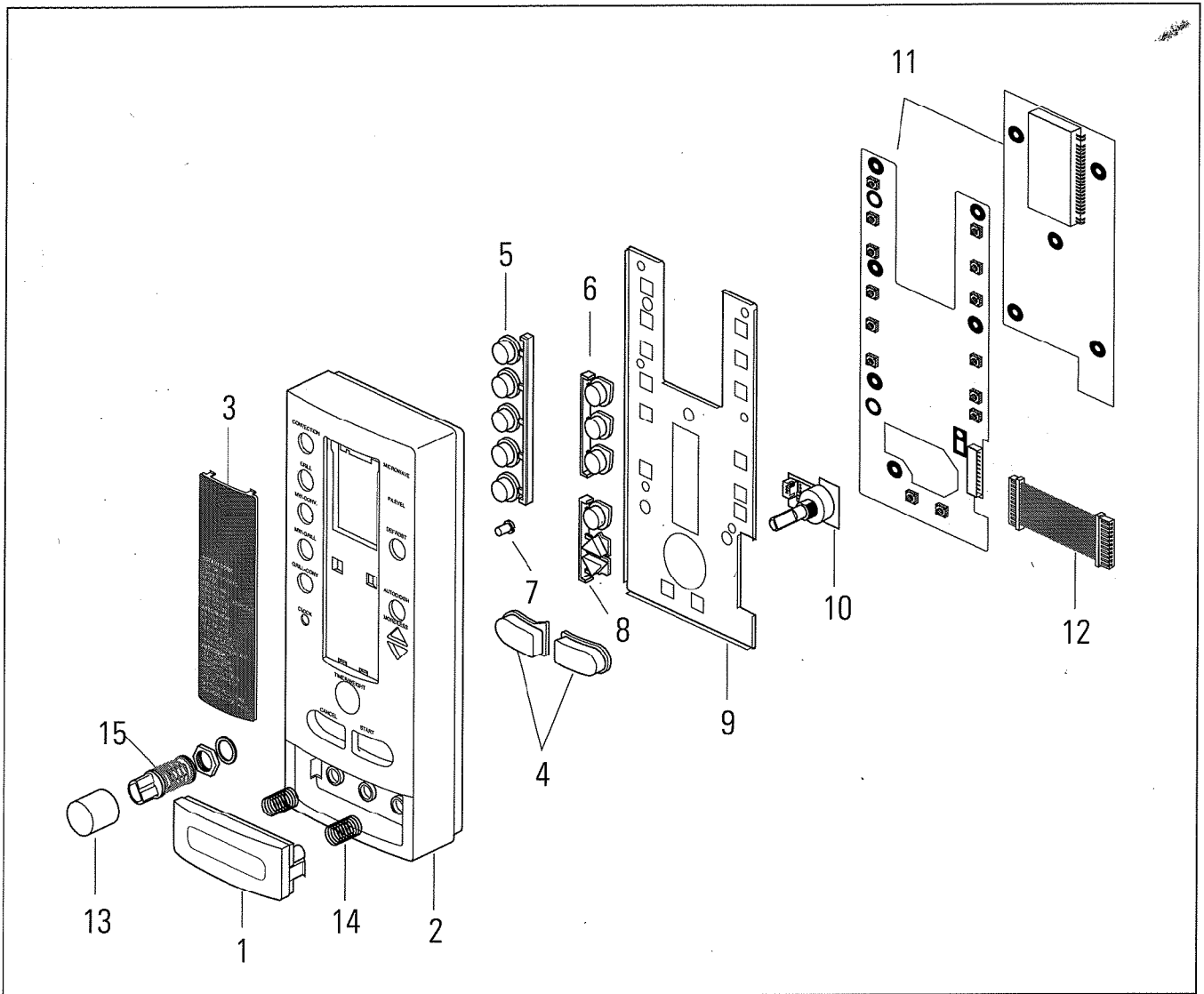


Exploded View & Parts List - Door Parts



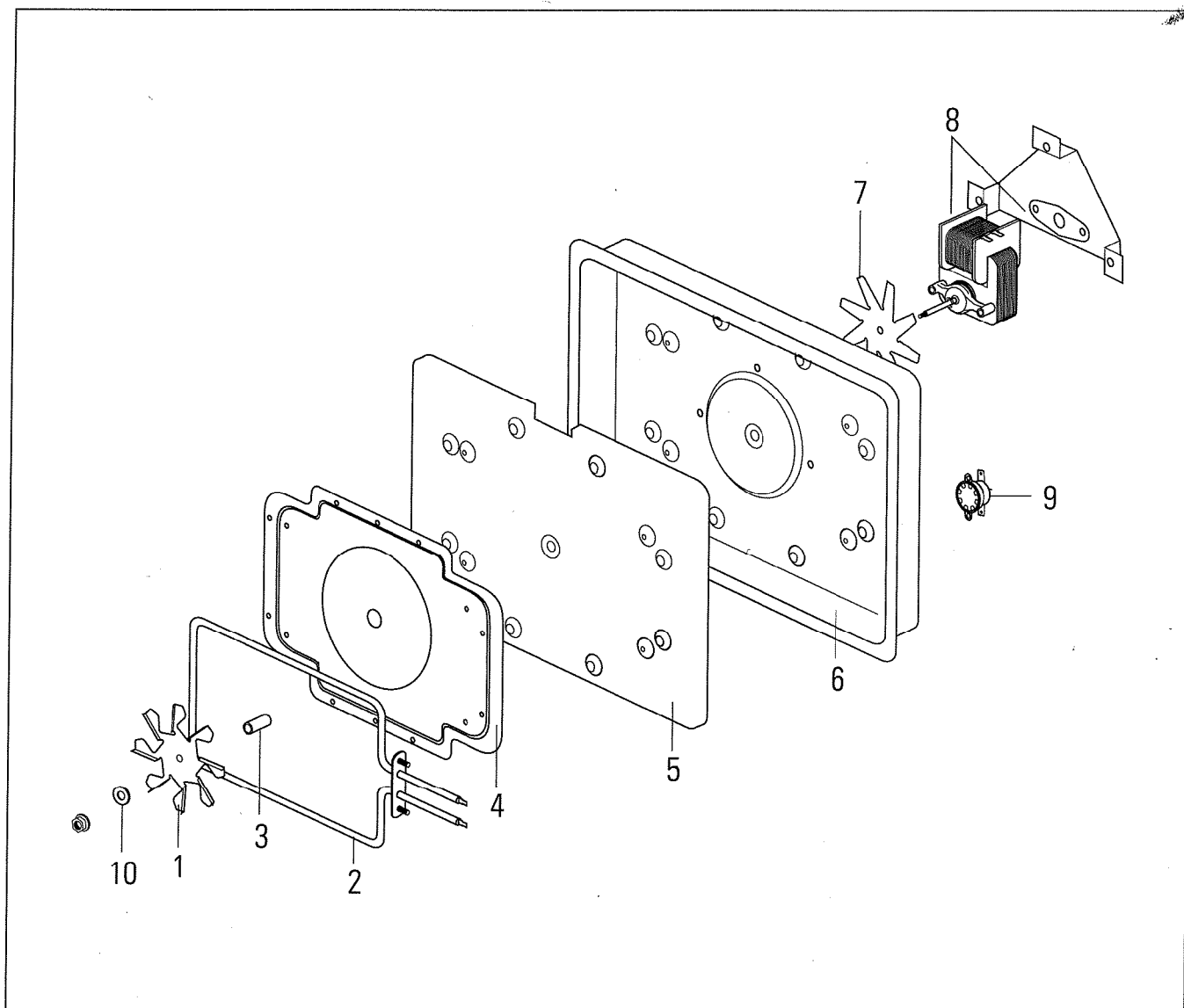
Ref. No.	Parts No.	Description / Specification	Q'ty	Remark
1	74041-0044-00	DOOR-A;PC(LEXAN#141) RP-WH-01-K 310G RE-1280	1	
2	74112-0024-00	SCREEN-DOOR(B);TEMP GLASS T3.2XW313XL435 WHT	1	
3	79291-219-510	ASSY DOOR E;SILICON BONDING	1	
4	76021-203-710	DOOR C;PBT-1500G 158G	1	
5	76464-221-910	KEY DOOR;NYLON#66-2411GF 5.1G	2	
6	79294-204-111	ASSY BKT SLIDER;RE-909CG	1	
7	76674-232-030	KEY-SPRING;ES HSWR PI1.2 D5.8 L47	1	
8	76414-212-710	ASSY HINGE UPPER;SBC1 T2.0	1	
9	76634-0003-00	FERRITE;DB-867CPE T4.1 W7.0 L1310	1	
10	77364-212-610	PIN-DOOR;MSWR ZPC3	2	

Exploded View & Parts List - Control Parts



Ref. No.	Parts No.	Description / Specification	Q'ty	Remark
1	74082-0071-00	BUTTON-PUSH;PC(LEXAN#141) RP-WH-01-K 19G RE-1280	1	
2	74051-0038-00	CONTROL-PANEL;PC(LEXAN#141) RP-WH-01-K 230G RE-1280	1	RE-1280
2	74051-0038-04	CONTROL-PANEL;PC(LEXAN#141) RP-WH-01-K 230G RE-1270	1	RE-1270
3	74073-0016-00	WINDOW-DISPLAY;ACRYL SMOG 40G RE-1280	1	
4	74083-0069-00	BUTTON-CANCEL;PC(LEXAN#141) RP-WH-01-K 6G RE-1280	2	
5	74082-0073-00	BUTTON-SELECT(L);PC(LEXAN#141) RP-WH-01-K 16G	1	
6	74083-0072-00	BUTTON-SELECT(R);PC(LEXAN#141) RP-WH-01-K 10G	1	
7	74084-0074-00	BUTTON-CLOCK;PC(LEXAN#141) RP-WH-01-K 1G RE-1280	1	
8	74082-0070-00	BUTTON-MORE;PC(LEXAN#141) RP-WH-01-K 7G RE-1280	1	
9	73012-0190-00	BRACKET-PANEL;SECC T0.8 W107 L286.35	1	
10	A3012-0011	SW-ROTARY;1C36P 14MM NSH SDB161(9X6)PVB20F 28V10MA	1	
11	79129-0121-00	ASSY P.C.B.;230V50HZ RE-1280	1	
12	79194-226-840	ASSY WIRE HARNESS-F;110/220V 60HZ MX200TCC 130MMX3	1	
13	74083-0068-00	KNOB-VOLUME;PC(LEXAN#141) RP-WH-01-K 5G RE-1280	1	
14	76674-239-310	BUTTON SPRING;HSWR P10.6	2	
15	79294-212-010	ASSY VOLUME S/W;4M17736	1	

Exploded View & Parts List - Casing Parts



Ref. No.	Parts No.	Description / Specification	Q'ty	Remark
1	75703-202-010	BLADE FAN;ALSTAR T0.6X250X250	1	
2	76402-0008-01	HEATER-CONVECTION;D8 230V6.1A 1400W RE-1280	1	
3	75114-100-110	BUSHING MOTOR;SWRM3 PI5XPI7 ZPC3	1	
4	76152-241-810	HEATER COVER "A";ALSTAR T0.6X914X1829	1	
5	70243-0005-00	ADIABATIC-HEATER;T10 W369 L277 EGF-E3019-PBS	1	
6	76152-241-910	HEATER COVER "B";SECC T0.6	1	
7	75703-201-810	COOLING FAN;SECC T0.6	1	
8	79262-0166-00	ASSY-CONV.MOTOR;AMM90-004AUEA 230V0.33A	1	
9	73589-001-039	SWITCH-THERMO;PW-2N(BKT;23.8MM,ON60'C,OFF160'C)	1	
10	77308-305-001	WASHER-PLAIN;T0.8*PI5*PI12 FE,EZY	1	