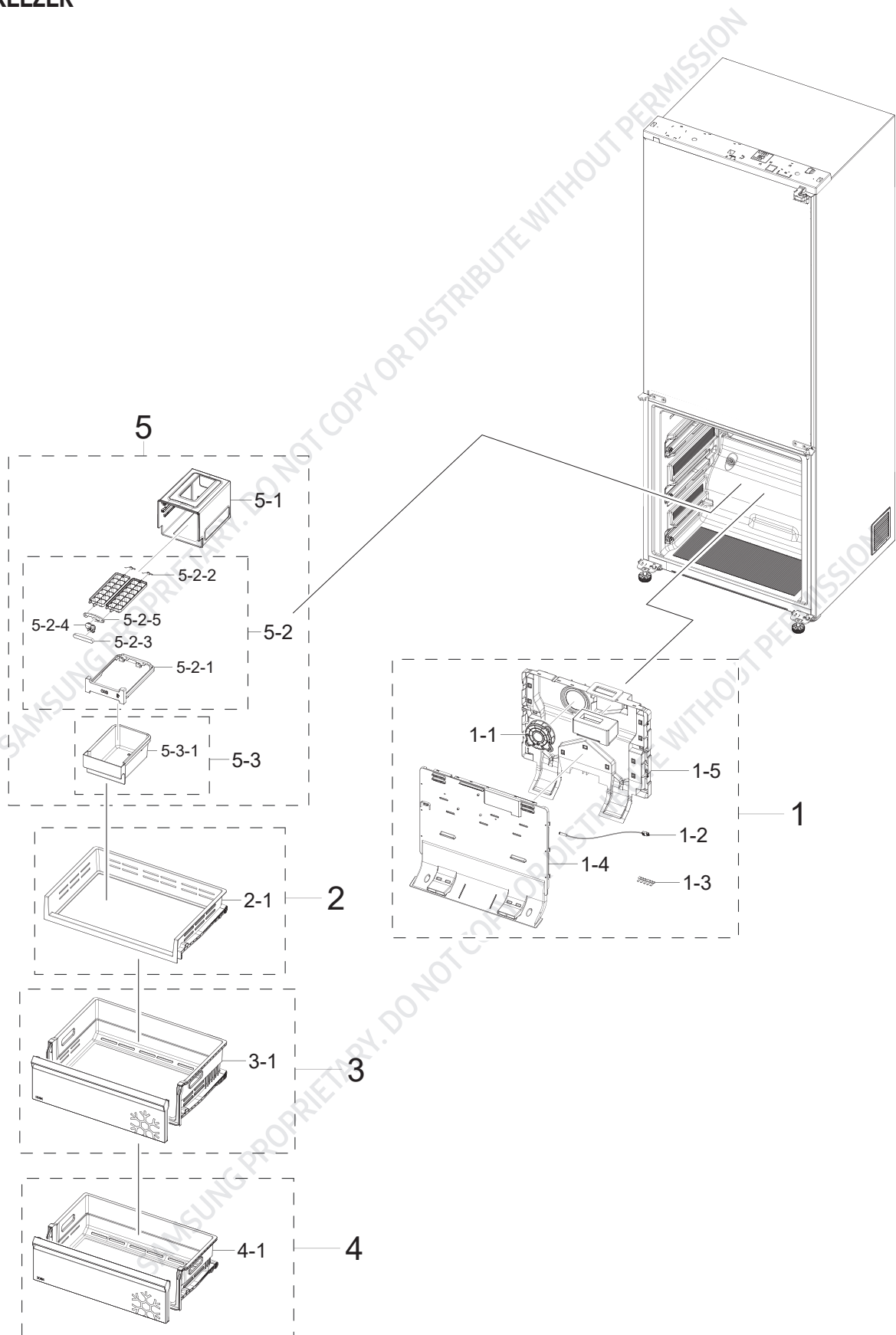


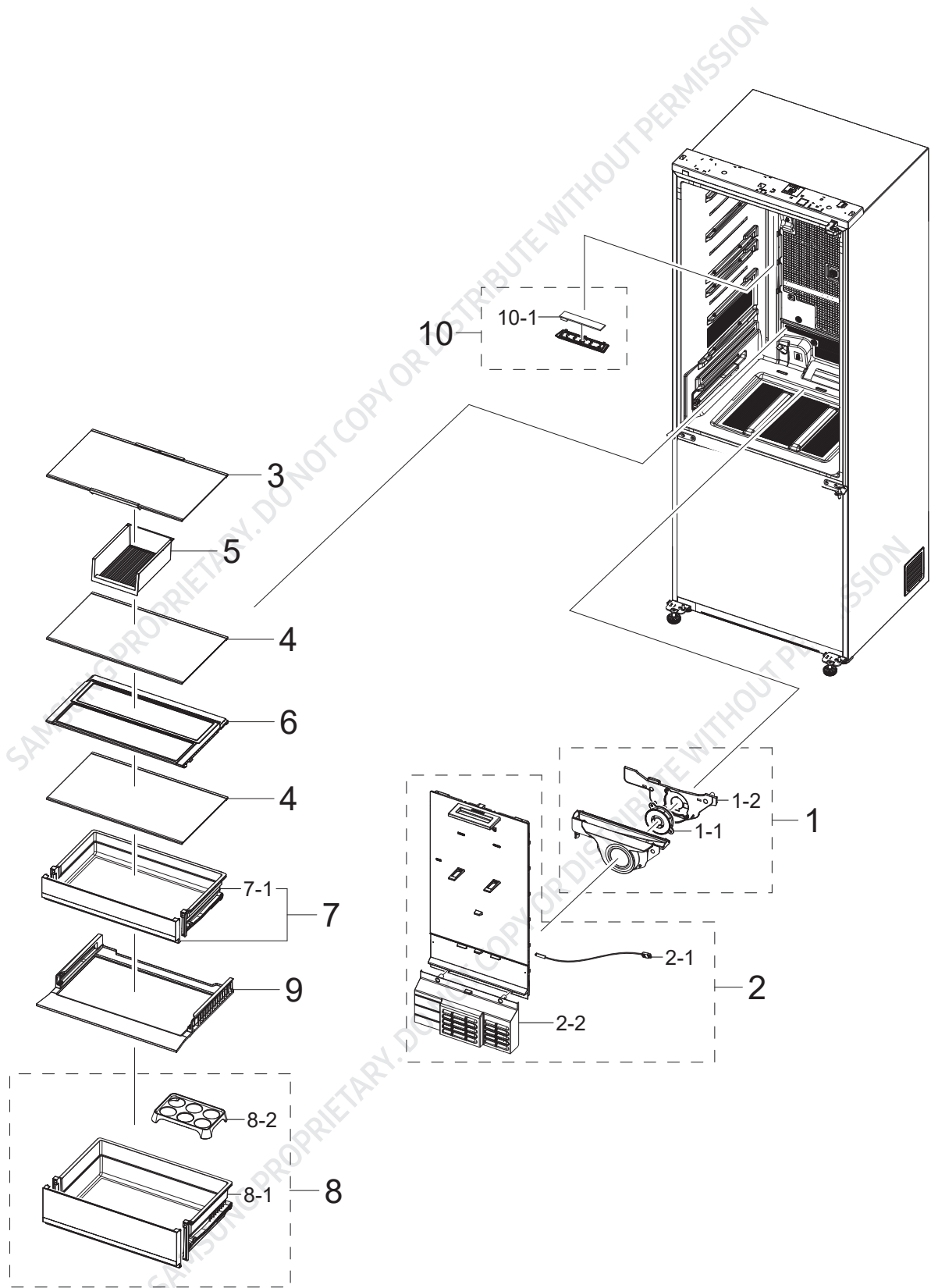
[RB6000D] RB53DG706AS9EF EXPLODED VIEW AND PARTS LIST

■ FREEZER



No.	Code No.	Description	Specification	Qty	SA/SNA
1	DA97-24674A	ASSY COVER EVAP-FRE	RB6000D,2030, TWIN	1	SA
1-1	DA31-00334D	MOTOR BLDC FAN	12035GE-12M-YT,1775±7%,12	1	SA
1-2	DA32-00070B	SENSOR TEMP	L500,13.2kohm,2%,0C,7phi	1	SA
1-3	DA61-11034A	FIXER	RT5000K,PA66,-,WHITE,-,KN3322V0,5P	1	SA
1-4	DA63-12085A	COVER EVAP-FRE	RB6000D,PP,T2,HB,COOL WHI	1	SNA
1-5	DA63-12091A	COVER EVAP-FRE REAR	RB6000D,PP,-,-,BLACK	1	SNA
2	DA97-24686A	ASSY CASE BASKET-UP	RB6000D	1	SA
2-1	DA61-16140A	CASE BASKET-UP	RB6000D,HIPS,-,COOL WHITE	1	SA
3	DA97-24687B	ASSY CASE BASKET-MIDDLE	RB6000D,MULTI TR	1	SA
3-1	DA61-16141A	CASE BASKET-MIDDLE	RB6000D,PP,-,COOL WHI	1	SA
4	DA97-24688A	ASSY CASE BASKET-LOW	RB6000D	1	SA
4-1	DA61-16142A	CASE BASKET-LOW	RB6000D,PP,-,COOL WHITE,	1	SA
5	DA97-16152R	ASSY ICE MAKER	RT5/6/7000K,THAILAND,SP 5	1	SNA
5-1	DA61-10831C	SUPPORT ICE MAKER	RT5/6/7000K,PP,-,BC03B	1	SA
5-2	DA97-13501C	ASSY TRAY ICE	RT32/29/25/22,2 TWIST_PP,N	1	SA
5-2-1	DA61-08907A	CASE-TRAY ICE	RT38/35/32/29,2TWIST,PP,-,	1	SA
5-2-2	DA61-20136A	SPRING ETC-ICE MAKER	SR-53EA,STS304,COIL	2	SA
5-2-3	DA64-04461A	KNOB-TRAY ICE	3050 TMF,HIPS,-,NATURAL,CO	1	SA
5-2-4	DA66-01003A	LEVER-TRAY ICE KNOB	3050,TMF,PA66,-,-,-,	1	SA
5-2-5	DA66-01006A	LEVER-TRAY ICE	RT320,POM,-,-,-,K300,NATU	1	SA
5-3	DA97-13671H	ASSY TRAY ICE	RT7000,TRAY ICE-CUBE,GPPS,	1	SA
5-3-1	DA63-07331C	TRAY ICE-CUBE	RT5/6/7000K,RT4500,GPPS,HB	1	SA

FRIDGE

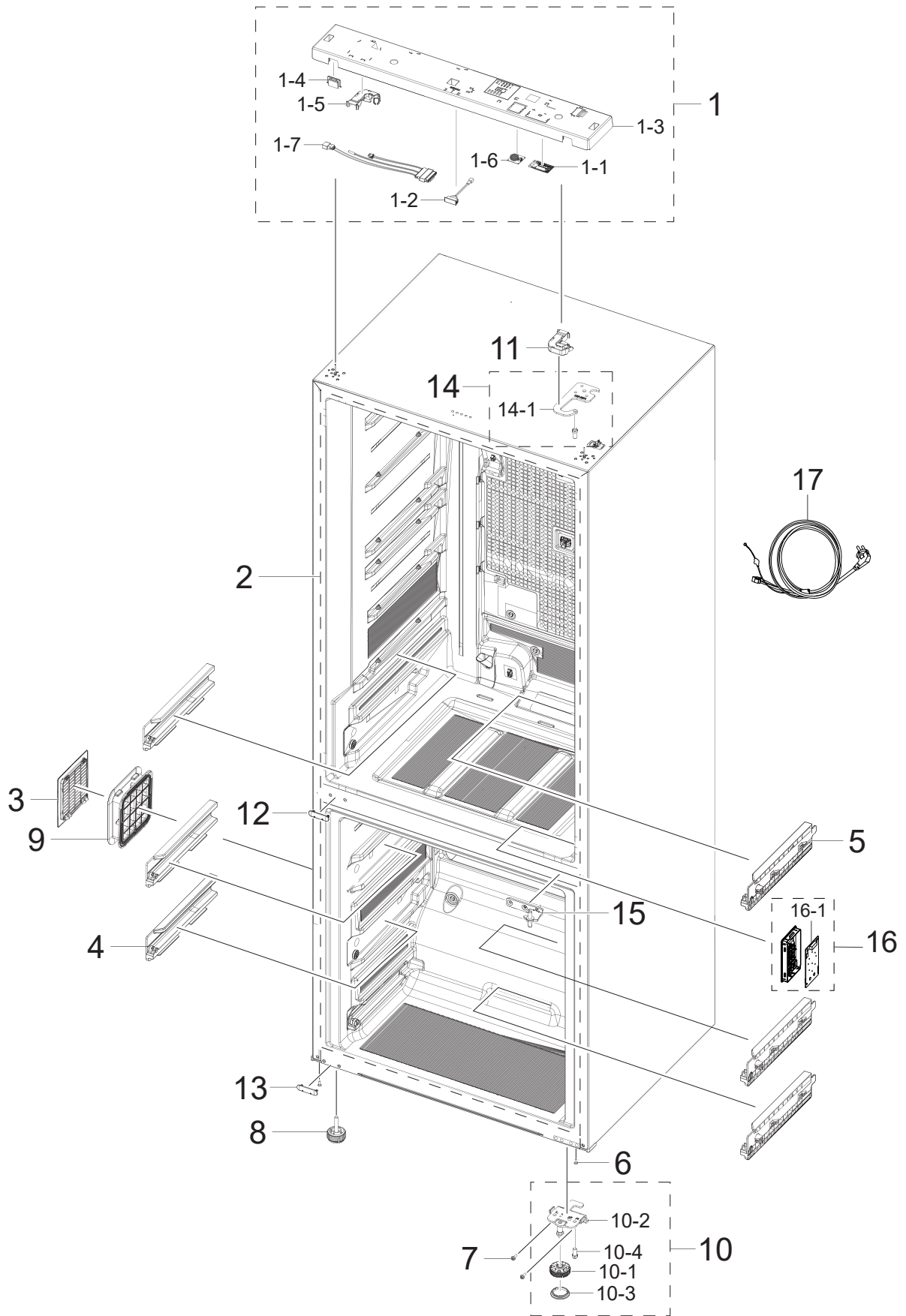


PART LIST OF REFRIGERATOR : RB53DG706AS9EF

SA: Service available, SNA : Service not available

No.	Code No.	Description	Specification	Qty	SA/SNA
1	DA97-24677A	ASSY CASE MOTOR-REF	RB6000D	1	SNA
1-1	DA31-00334D	MOTOR BLDC FAN	12035GE-12M-YT,1775±7%,12	1	SA
1-2	DA61-16121A	BRACKET MOTOR-REF A	RB6000D,ABS,T2,BLACK	1	SNA
2	DA97-24676A	ASSY COVER EVAP-REF	RB6000D,RB53,Twin,Me	1	SA
2-1	DA32-00070C	SENSOR TEMP	SC41200-021A,L250,13.2kohm,2	1	SA
2-2	DA63-12089A	COVER EVAP-REF	RB6000D,PP,T2,HB,COOL WHI	1	SNA
4	DA97-24673B	ASSY SHELF-REF	RB6000D,LUMINOUS TRIM	2	SA
3	DA97-24673C	ASSY SHELF-REF	RB6000D,LUMINOUS TRIM, MU	1	SA
5	DA67-05237A	SHELF SLIDE	RT6300A,GPPS,TP BLUE,-,147F,	1	SA
6	DA97-24672B	ASSY SHELF FOLDER	RB6000D,LUMINOUS TRIM	1	SA
7	DA97-24689A	ASSY CASE VEG-UP	RB6000D	1	SA
7-1	DA61-16143A	CASE VEG-UP	RB6000D,PP,-,COOL WHITE,-,BC	1	SA
8	DA97-24690A	ASSY CASE VEG-LOW	RB6000D,With Tray Egg	1	SA
8-1	DA61-16145A	CASE VEG-LOW	RB6000D,PP,-,COOL WHITE,-,B	1	SA
8-2	DA63-11520A	TRAY EGG	3050,GPPS,HB,TP BLUE,165N,HI-IM	2	SA
9	DA97-24685A	ASSY SHELF VEG-LOW	RB6000D,RAIL TYPE	1	SA
10	DA97-21569B	ASSY COVER LAMP	RF5000A,ASSY LED LAMP	1	SA
10-1	DA96-01119A	ASSY LAMP LED	3EA,FR-4,150*12,WHITE,SMAW	1	SA

■ CABINET_1

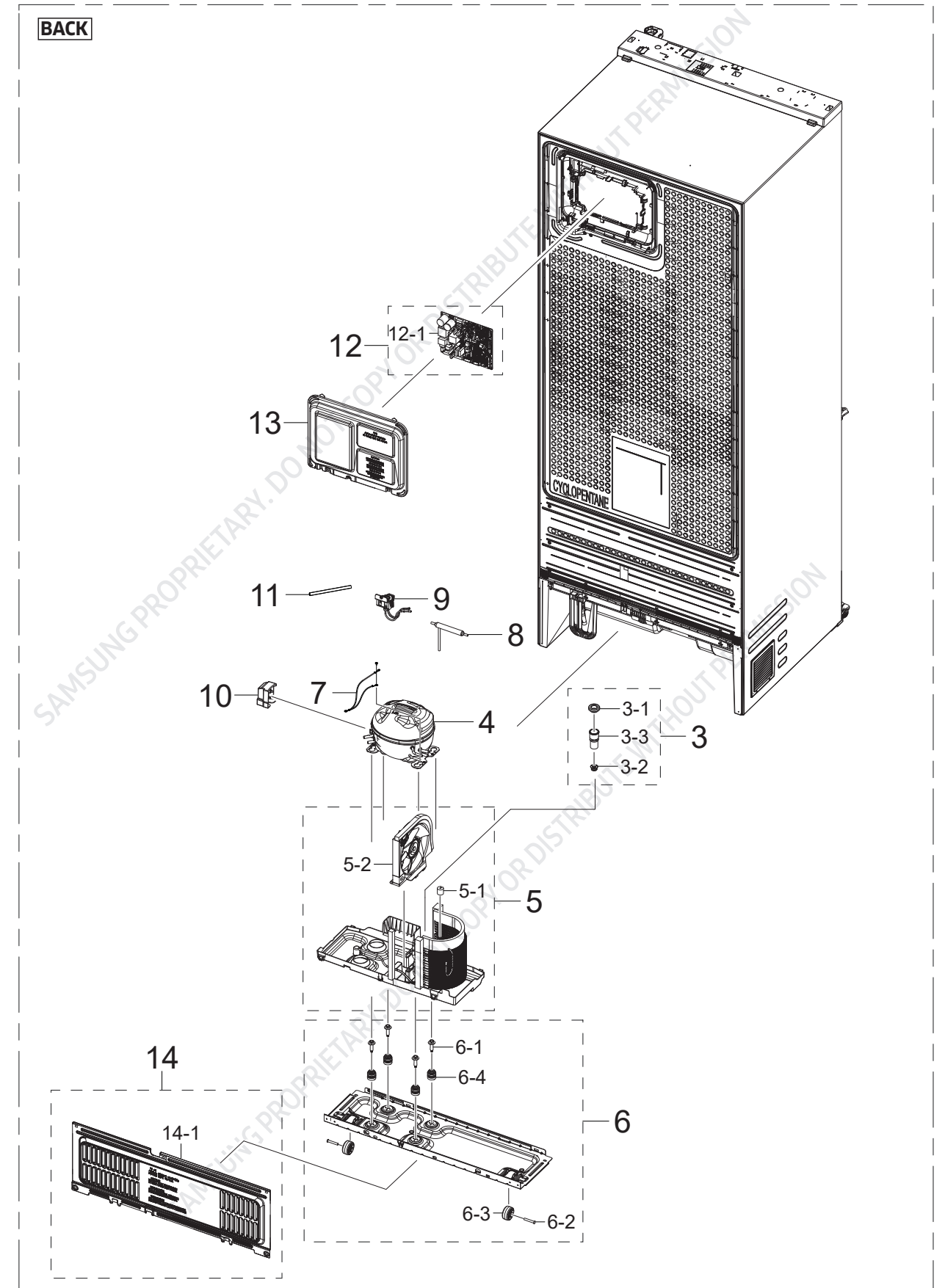
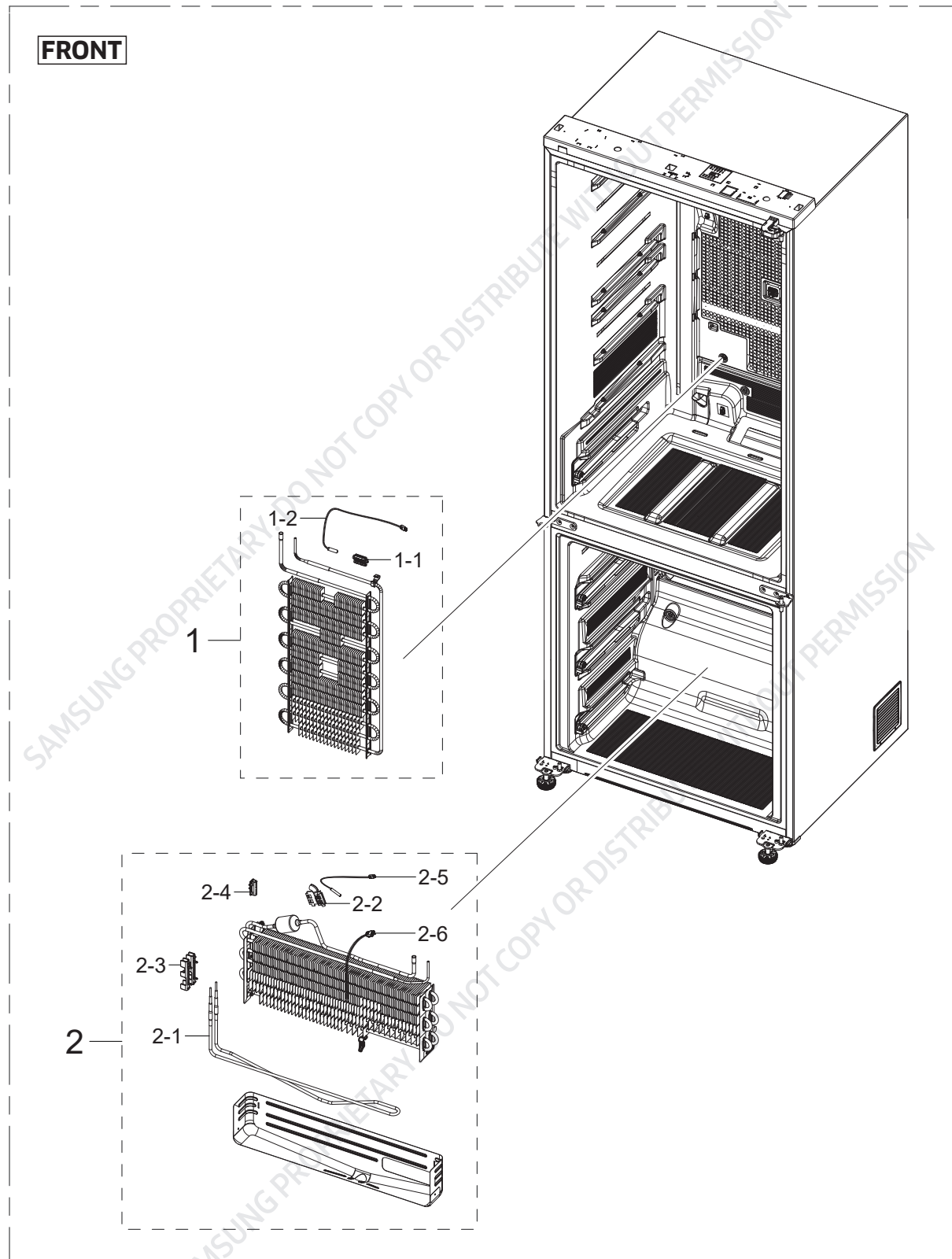


PART LIST OF CABINET1 : RB53DG706AS9EF

SA: Service available, SNA : Service not available

No.	Code No.	Description	Specification	Qty	SA/SNA
1	DA97-24699A	ASSY TOP TABLE	RB6000D,INOX GRAY,WIFI	1	SA
1-1	4709-003141	W-LAN MODULE	CCAR210R,SDA8700CSM,IEEE802	1	SA
1-2	DA34-00043J	SWITCH REED	UL1007 AWG 22,50mm	1	SA
1-3	DA64-07534A	TOP TABLE	RB6000D,ABS,T2,INOX GRAY,-,GP-	1	SA
1-4	DA67-03124H	CAP HOLE-HINGE UPP	RT6500M,ABS,HB,ABS210	1	SA
1-5	DA67-03460E	CAP HINGE-UP LEFT	RT6500M,PP,HB,P740J,IN	1	SA
1-6	DA92-00817A	ASSY MODULE	BUZZER PBA,RB6000K,Standard	1	SA
1-7	DA96-01410K	ASSY WIRE HARNESS-TOP	RB6000D,BMF,FREE V	1	SA
2	DA61-16129A	LINER	RB6000D,ABS,QU-0191S,-,COOL WHITE,	1	SNA
3	DA63-07680A	COVER UNIT	AW3-14,PP,HB,INOX GRAY,49MK45	1	SA
4	DA97-13163A	ASSY RAIL-BASKET L	BAROSA,NATURAL	3	SA
5	DA97-13164A	ASSY RAIL-BASKET R	BAROSA,NATURAL	3	SA
6	6002-001122	SCREW-TAPPING	FH,+,1,M4,L14,ZPC(WHT),SWR	2	SNA
7	6011-001546	BOLT-HEX	M5(P0.8),L16,ZPC(WHT),HWH,+,SWR	2	SA
8	DA61-00805E	FOOT-FRONT	ARAM-PJT,PP,BLACK,-,T3,SSPP-6	2	SA
9	DA61-10466E	CASE UNIT	RT6300C,PP,T3,BLACK,-,HFFR-151	1	SA
10	DA97-24684A	ASSY HINGE-LOW	RB6000D,BLACK ELECTRODEPO	1	SA
10-1	DA61-07280A	FOOT-FRONT	SUPER STAR,RT7000K,PP,BLACK,-	2	SA
10-2	DA61-13109A	HINGE-LOW	RT6500M,Reversible type,PO-SPH	1	SA
10-3	DA63-06285A	COVER-FOOT	SUPER STAR,RT7000K,PP,T2.5,-,	1	SA
10-4	DA66-00999A	SHAFT-HINGE	BAROSA,SWRCH10A,L27,OD8.95,B	1	SA
11	DA67-03459E	CAP HINGE-UP RIGHT	RT6500M,PP,HB,P740J,I	1	SA
12	DA67-04497A	CAP SCREW-MIDDLE	RT6500M,ABS,HB,HG-0760G	1	SA
13	DA67-04523A	CAP SCREW-A	RT6500M,ABS,HB,HG-0760GP,SNO	1	SA
14	DA97-13026B	ASSY HINGE-UP	RB6000D,BLACK,WASHER SPRIN	1	SA
14-1	DA61-08574A	HINGE-UPP	BAROSA-PJT,PO-SPHC,T4,-,-,-,-	1	SA
15	DA97-24683A	ASSY HINGE-MIDDLE	RB6000D,ZPC	1	SA
16	DA97-24602D	ASSY COVER CONTROL	BMF_STD,ENG	1	SA
16-1	DA92-01298C	ASSY PBA MODULE-DISPLAY	LED DISPLAY,RF50	1	SNA
17	3903-001015	POWER CORD-AT	H05VV-F 3x0.75mm2,BLK,EU3F	1	SA

■ CYCLE

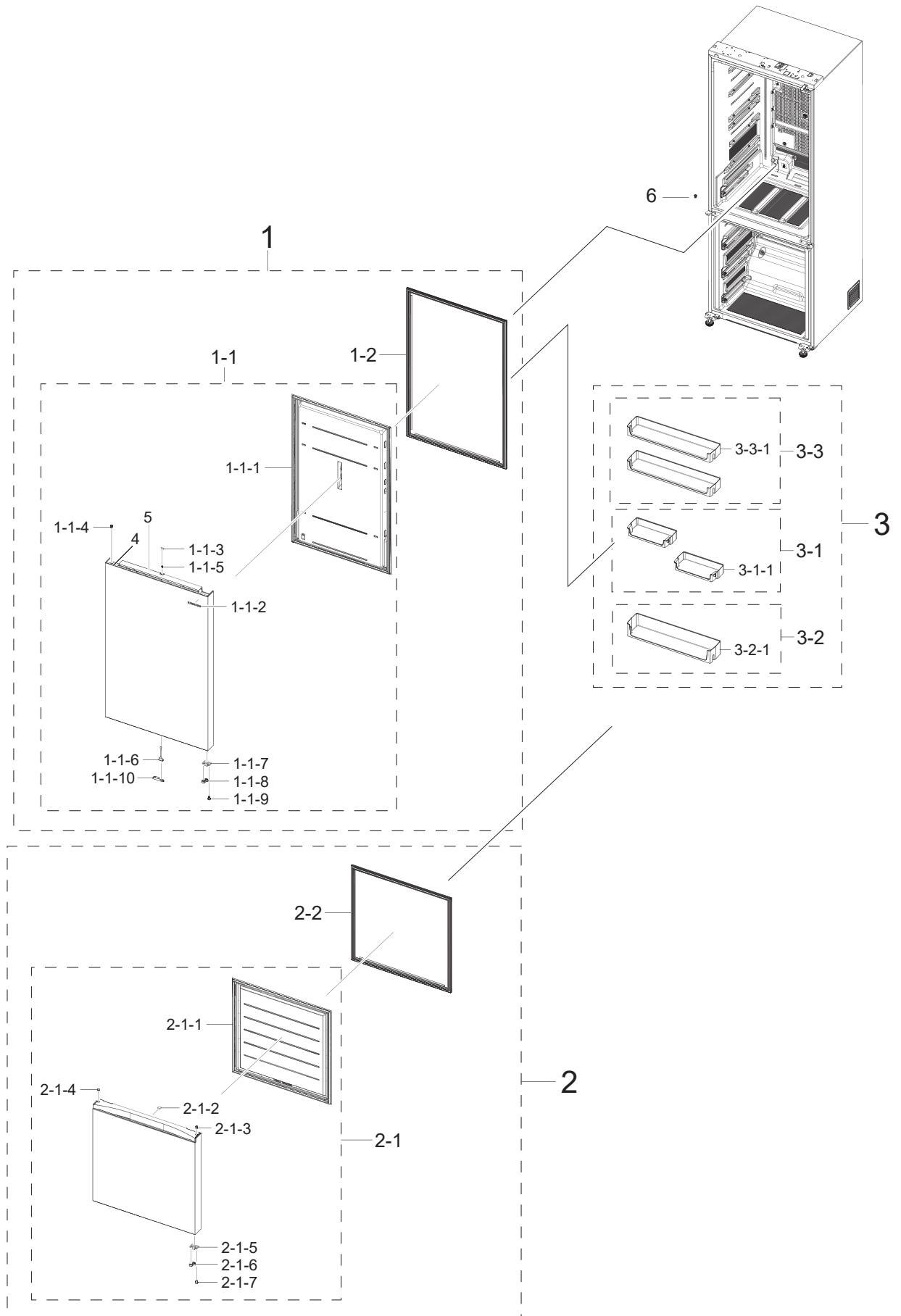


PART LIST OF CYCLE : RB53DG706AS9EF

SA: Service available, SNA : Service not available

No.	Code No.	Description	Specification	Qty	SA/SNA
1	DA96-01634A	ASSY EVAP-REF	RB6000D,FIN TUBE,AL,ALUMIT	1	SA
1-1	DA61-03683A	FIXER-SENSER	AW-PJT,PP,NATURAL,FH44N,V-0	1	SA
1-2	DA32-00070C	SENSOR TEMP	SC41200-021A,L250,13.2kohm,2	1	SA
2	DA96-01629A	ASSY EVAP-FRE	RB6000D,Fin Tube,AL,230V,G	1	SA
2-1	DA47-00568A	HEATER METAL SHEATH	AC230V,200W,INCOLOY8	1	SA
2-2	DA61-00603A	FIXER SENSOR	All model,PP,T2,NATURAL,-,M	1	SA
2-3	DA61-06700A	FIXER-HEATER WIRE REF	HM/GGH/HAEMIL,PP,T	2	SA
2-4	DA61-07411A	FIXER-FUSE	NW2,PP,NATURAL,BJ750	1	SA
2-5	DA32-10104N	SENSOR TEMP	R-DEF SENSOR, PVC,L200,13.2k	1	SA
2-6	DA47-00301D	THERMO FUSE-ASSY	AC250V,10A,109~110°C,S.O	1	SA
3	DA97-18856A	ASSY CAP DRAIN	RQ9500M	1	SA
3-1	DA63-02761A	GROMMET-DRAIN	RS18RK,NBR,BLACK,-	1	SA
3-2	DA61-05021A	FIXER-DRAIN	HAEMIL,PP,T0.6,CARMEN WINE,B	1	SA
3-3	DA67-01301A	CAP-DRAIN	AW4,HIPS,HB,576H,NATURAL	1	SA
4	NO14C9111AKTT1	CMP,COMP,REFRIGERATOR,R600A	0	1	
5	DA97-24741A	ASSY TRAY DRAIN WATER	RB6000D,C160N , PF	1	SA
5-1	DA63-40171B	GROMMET-SUCT PIPE A	NBR,-,-,ID4,OD20	1	SC
5-2	DA97-20025B	ASSY SUPPORT-CIRCUIT MOTOR	RS5000RC,C160	1	SA
6	DA97-24742A	ASSY CHASSIS COMP	RB6000D,GI-SGCC,T1.2,W	1	SA
6-1	6011-007289	BOLT-HEX	M6,L43.6,ZPC(SILVER),HH,SOCKET,	4	SNA
6-2	DA60-90146A	PIN-CASTER	SR-289-429,MSWR10,L38	2	SA
6-3	DA61-40126B	CASTER-REAR	REF-ALL,PP,PI 44,NATURAL,W22	2	SA
6-4	DA63-09336B	GROMMET COMP	REF,IIR,BLACK,-,-,L21.3, OD	4	SA
7	DA39-00429F	ASSY WIRE HARNESS-EARTH	ALL,FREE VOLT,UL	1	SA
8	DA62-04309A	DRYER	C1220T-H,L137,SINGLE MOUTH,OD15.8,	1	SA
9	DA62-04678A	VALVE STEP	DC12V,MODULE,2WAY,STRAIGHT/ST	1	SA
10	DA63-06122A	COVER RELAY	MSV,MPPE,T2,BLACK,N300X,V-0	1	SA
11	DA73-00199B	PIPE-PIPE CONNECT	Cu,OD6.35,T0.6	1	SA
12	DA94-08457A	ASSY PCB EEPROM	0x02,DA92-01738A,D601,RB	1	SA
12-1	DA92-01738A	ASSY PCB MAIN	TWIN COOLING,RB6000D,160*1	1	SNA
13	DA97-16238E	ASSY COVER PCB-MAIN	All Project,GI-SGCC,	1	SA
14	DA97-24821A	ASSY COVER COMP	RB6000D,GL-SGLCC,T0.25,P	1	SA
14-1	DA63-12128A	COVER COMP	RB6000D,GL-SGLCC,T0.25,-,-,-,	1	SNA

■ DOOR



PART LIST OF DOOR : RB53DG706AS9EF

SA: Service available, SNA : Service not available

No.	Code No.	Description	Specification	Qty	SA/SNA
1	DA90-14621G	ASSY DOOR REF	RB6000D,S9,RB53,VIP 1EA,RE	1	SNA
1-1	DA91-06551A	ASSY DOOR FOAM-REF	RB6000D,S9,N,FLAT,RB5	1	SA
1-1-1	DA64-07527A	PANEL-REF	RB6000D,ABS,T1.1,W733,L1156.9,	1	SNA
1-1-2	DA64-04019A	MASCOT	ALL,Ni,T0.06,-,-,L65	1	SNA
1-1-3	DA61-03949A	MAGNET	ES-PJT,SSEC,FERRITE,-,BLACK,-,160	1	SA
1-1-4	DA63-07329A	GROMMET HINGE	BAROSA,PA66,17,NATURAL,-,1	1	SA
1-1-5	DA67-03067A	CAP-SHAFT HOLE	NW2-PJT,SSEC,PP,-,-,BJ750	1	SA
1-1-6	DA34-00043J	SWITCH REED	UL1007 AWG 22,50mm	1	SA
1-1-7	DA61-08570A	BRACKET-STOPPER DOOR	BAROSA-PJT,PO-SPHC,	1	SA
1-1-8	DA61-16197A	STOPPER DOOR	RB6000D,POM,-,F20-03,COOL W	1	SA
1-1-9	DA63-08957A	GROMMET-A	RT6500M,PA66,NATURAL,-,101F	6	SA
1-1-10	DA67-02385M	CAP DOOR SWITCH	3050-PJT,PP,T1.5,HB,BJ75	1	SA
1-2	DA97-24700C	ASSY GASKET-REF	RB6000D,W703, L1125, RB5	1	SA
2	DA90-14618G	ASSY DOOR FRE	RB6000D,RB53,S9,VIP	1	SNA
2-1	DA91-06483G	ASSY DOOR FOAM-FRE	RB6000D,RB53,S9,VIP	1	SA
2-1-1	DA64-07606A	PANEL-FRE	RB6000D,ABS,T1.1,W732,L736.2,H	1	SNA
2-1-2	DA61-03769B	MAGNET	SVETA,FERRITE,-,-,-,1600Gauss	1	SA
2-1-3	DA63-07329A	GROMMET HINGE	BAROSA,PA66,17,NATURAL,-,1	1	SA
2-1-4	DA67-03149N	CAP HINGE-HOLE	BAROSA,ABS,HB,HG-0760GP,I	1	SA
2-1-5	DA61-08570A	BRACKET-STOPPER DOOR	BAROSA-PJT,PO-SPHC,	1	SA
2-1-6	DA61-16197A	STOPPER DOOR	RB6000D,POM,-,F20-03,COOL W	1	SA
2-1-7	DA63-08957A	GROMMET-A	RT6500M,PA66,NATURAL,-,101F	6	SA
2-2	DA97-24703A	ASSY GASKET-FRE	RB6000D,L707, RB53/50/45	1	SA
3	DA90-14440A	ASSY GUARD	RB6000D,RB53	1	SNA
3-1	DA97-25029A	ASSY GUARD-VARIETY	RB6000D,GPPS,TP BLUE,	2	SA
3-1-1	DA63-12097A	GUARD VARIETY	RB6000D,GPPS,T3.2,TP BLUE,	2	SNA
3-2	DA97-25031A	ASSY GUARD-REF LOW	RB6000D,GPPS,TP BLUE,	1	SA
3-2-1	DA63-12099A	GUARD-REF LOW	RB6000D,GPPS,T3.2,TP BLUE,	1	SNA
3-3	DA97-25033A	ASSY GUARD-REF UP	RB6000D,GPPS,TP BLUE,B	2	SA
3-3-1	DA63-12100A	GUARD-REF UP	RB6000D,GPPS,T3.2,TP BLUE,-	2	SNA
4	DA67-05687A	CAP SPACE-DOOR	RB6000D,ABS,T2,HB,HG-0760	1	SA
5	DA63-12084A	COVER CAP DOOR-REF UP	RB6000D,ABS,T2,HB,	1	SA
6	DA67-03718A	CAP SCREW	3050,PP,BJ750,INOX GRAY	1	SA