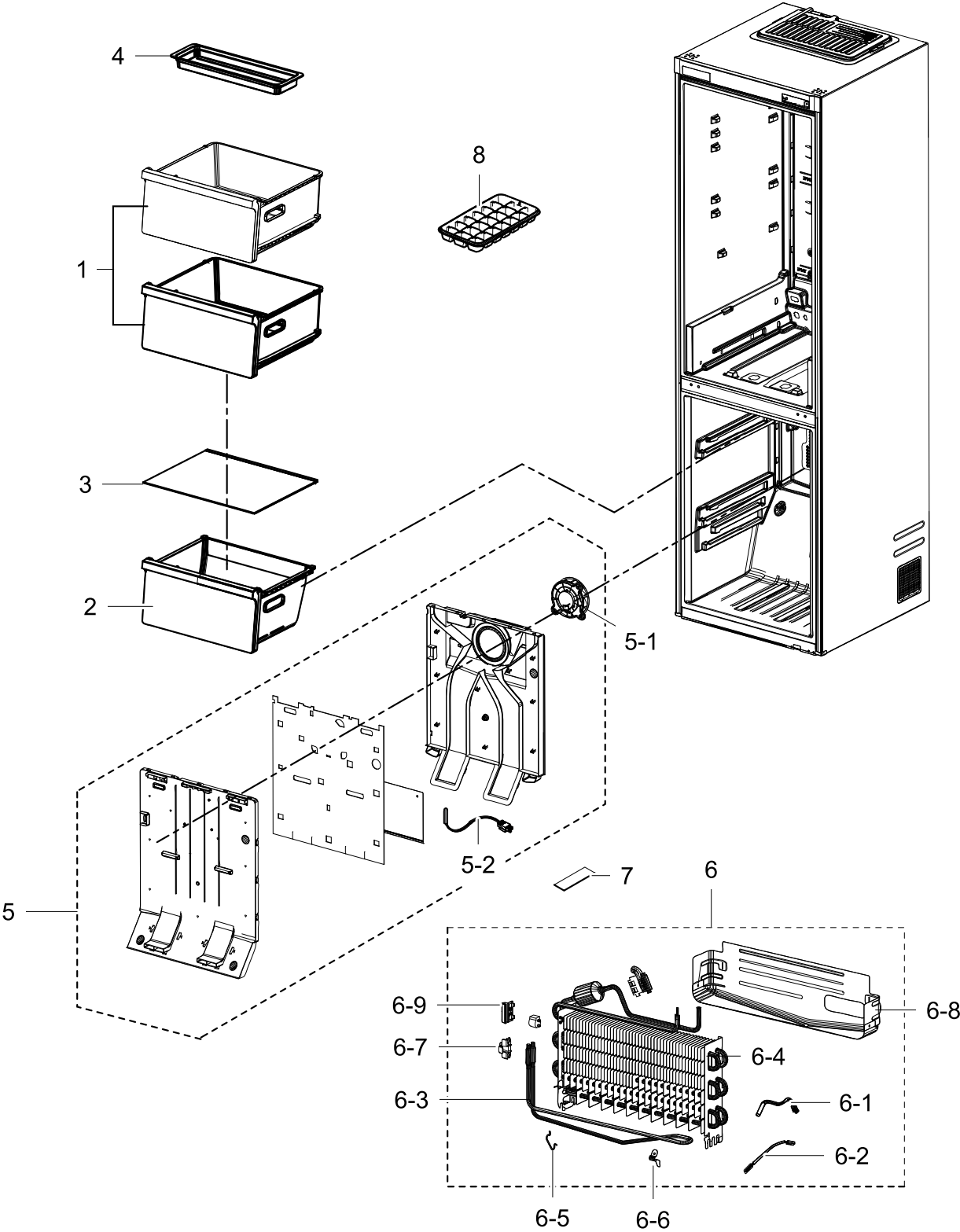


1. Freezer

Exploded View

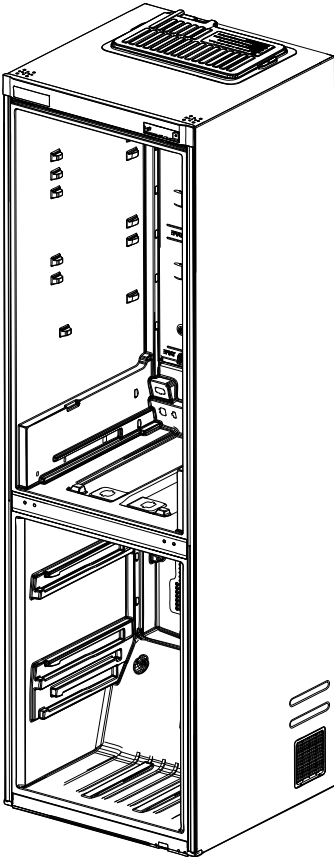
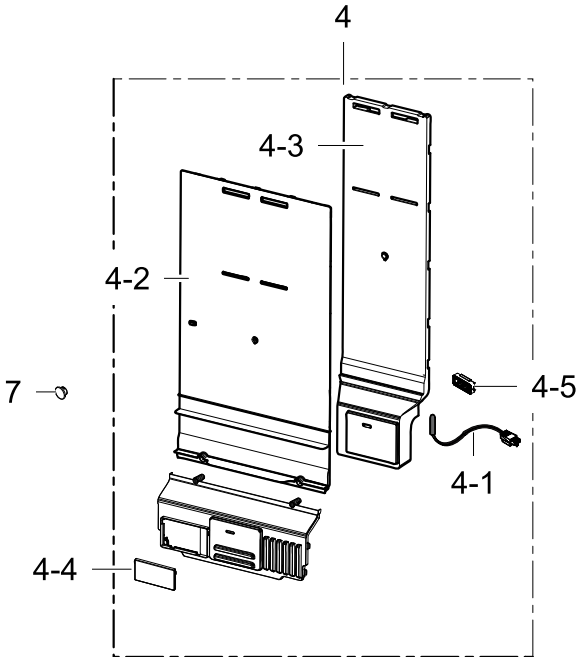
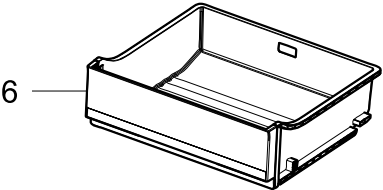
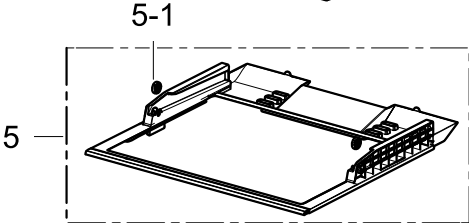
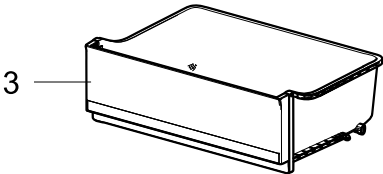
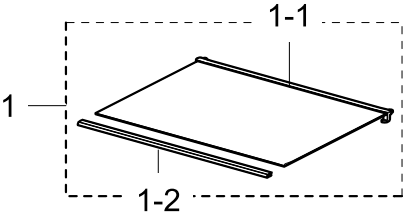
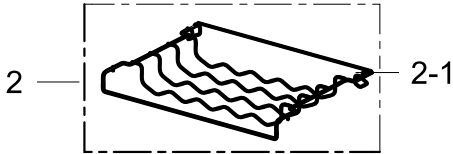
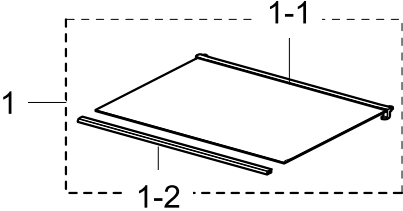


Parts List

No.	Lvl.	Loc.	Material Code	Description & Specification	SNA	Qty.
1	2		DA97-15512A	ASSY CASE BASKET-FRE UP; RB7000J,ASSY, HO	SA	2
2	2		DA97-15510A	ASSY CASE BASKET-FRE LOW; RB7000J,ASSY, H	SA	1
3	2	M0351	DA97-15541A	ASSY SHELF-FRE; BK7000	SA	1
4	2		DA63-08120A	TRAY ICE-CUBE; RB7000J,GPPS,T2.5,HB,TP BL	SA	1
5	2	M0303	DA97-15501A	ASSY COVER EVAP-FRE; RB7000J,A++,A+++	SA	1
5-1	3		DA31-00334C	MOTOR BLDC FAN; 12035GE-12M-YT-F1,17757	SA	1
5-2	3	A1018	DA32-00033E	SENSOR TEMP; 502AT,DKST1329GW,MAX4,-40~11	SA	1
6	2	A0163	DA96-01117A	ASSY EVAP-FRE; RB7000J,230V,150W	SA	1
6-1	3	A1018	DA32-00006D	SENSOR TEMP; PX-41C,502AT,DKST1329GW,EXPO	SNA	1
6-2	3	A1008	DA47-00301D	THERMO FUSE-ASSY; AC250V,10A,109~110??S	SA	1
6-3	3		DA47-00474A	HEATER METAL SHEATH; AC230V,GANDCRU FRE,	SNA	1
6-4	3		DA59-00573A	EVAPORATOR-FRE; Fin Tube,RB7000J,2,A1070,	SNA	1
6-5	3		DA61-02526A	FIXER-EVAP FRE,SUB; NEXT,AL,2.0,-,-	SNA	1
6-6	3	M9010	DA61-03644A	PLATE-EVAP HEATER; AW-PJT,Al,T0.7	SA	1
6-7	3	G0205	DA61-07410A	FIXER-HEATER FRE; NW2,PP,NATURAL,BJ750	SA	2
6-8	3	A0754	DA61-08936A	PLATE-DRAIN; 3050,GI-SGCC,T0.3	SA	1
6-9	3	A0744	DA61-07411A	FIXER-FUSE; NW2,PP,NATURAL,BJ750	SA	1
7	2		DA72-60040W	SEAL-CUTT RUBBER; TD-PJT,BUTYL RUBBER,BLA	SA	1
8	2	A0120	DA63-06164A	TRAY ICE; 410DNT, BK,PP,T2.5,HB,COOL WHIT	SA	1

2. Refrigerator

Exploded View

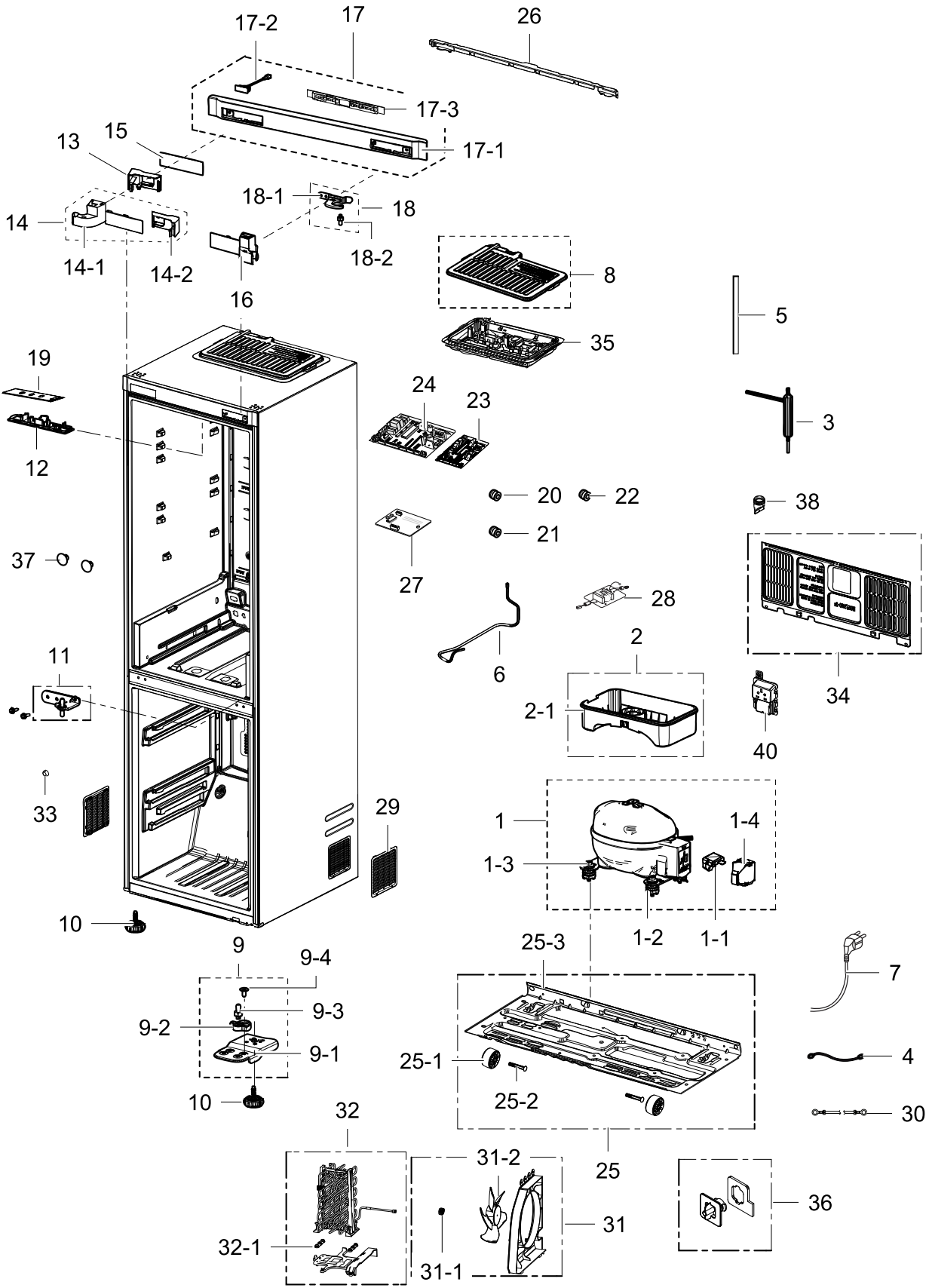


Parts List

No.	Lvl.	Loc.	Material Code	Description & Specification	SNA	Qty.
1	2	A0186	DA97-15540A	ASSY SHELF-REF; BK7000	SA	3
1-1	3	Z1107	DA67-03996A	SHELF-REF; BK7000,PP,COOL WHITE,EP448T	SNA	3
1-2	3		DA64-04407P	TRIM SHELF-FRONT; TRIM SHELF FRONT(REF),A	SNA	3
2	2		DA97-15743A	ASSY RACK WINE; RB7000J,ASSY	SNA	1
2-1	3		DA75-00351A	RACK WINE; BK7000,,MSWR70,OD6.0,507.7,376	SA	1
3	2		DA97-15516A	ASSY CASE VEG-UP; RB7000J,ASSY, HOT STAMP	SA	1
4	2	G0239	DA97-15507A	ASSY COVER MULTI-REF; RB7000J,A++ / 2010	SA	1
4-1	3	A1018	DA32-00011E	SENSOR TEMP; PX-41C,TD-PJT,-40~110 5V	SA	1
4-2	3		DA63-08063A	COVER MULTI-REF; RB7000J,PP,T2.0,HB,COOL	SNA	1
4-3	3		DA62-04508A	INSULATION DUCT-REF A; RB7000J,PS FOAM,WH	SNA	1
4-4	3		DA63-08316A	COVER CONVERTIBLE-MULTI; BK,3050,PP,HB,CO	SA	1
4-5	3		DA63-07761A	GROMMET FIXER; RF-H920G,RUBBER,BLACK	SA	1
5	2		DA97-15542A	ASSY SHELF COVER VEG; BK7000	SA	1
5-1	3		DA66-10104A	ROLLER-FRE; POM,D22,NATURAL	SNA	2
6	2	M0300	DA97-15514A	ASSY CASE VEG-LOW; RB7000J,ASSY, HOT STAM	SA	1
7	2	A0270	DA67-30266K	CAP SCREW; A-TOP,PP,T1.5,HB,BJ750,COOL WH	SA	1

3. cabinet

Exploded View



Parts List

No.	Lvl.	Loc.	Material Code	Description & Specification	SNA	Qty.
1	2		NC4MVA1ALP/TT1	CMP,COMP,REFRIGERATOR,R-600A; CMP,COMP,REFRIGERATOR,R-600A		1
1-1	3	A0575	DA34-00004D	RELAY PROTECTOR O/L; 4TM445PHBYY-82, 125	SA	1
1-2	3	Z1112	DA63-02617A	GROMMET COMP; USP05,EPDM,OD27.0,BLACK	SA	4
1-3	3	A0564	6011-004061	BOLT-HEX; M6,L43.6,SWRCH10A	SNA	4
1-4	3	Z1032	DA63-06122A	COVER RELAY; MSV,MPPO,T2.0,BLACK,V-0	SA	1
2	2	A0529	DA97-08845A	ASSY TRAY DRAIN WATER; T2.0,NTR,PP	SA	1
2-1	3	A0531	DA63-06226A	TRAY-DRAIN WATER; S_AM B/I,PP,T2.0,NATURA	SA	1
3	2	A0669	DA62-04309C	DRYER; Cu,118,SINGLE MOUTH,6g	SA	1
4	2	A0562	DA39-20389A	ASSY WIRE HARNESS-EARTH; ALL,FREE VOLT,UL	SA	1
5	2	A0523	DA73-10190U	PIPE-CONNECT DISC,B; ALL,Cu,C1220T,OD6.35	SA	1
6	2		DA62-04325A	PIPE CONNECT; 3050,Cu,C1220T,OD6.35,T0.6	SA	1
7	2	A0273	3903-000797	CBF-POWER CORD; AT,E.U,EU3F,3C,250V,16A,B	SA	1
8	2		DA97-15723A	ASSY COVER PBA; BK-PJT	SA	1
9	2	M0344	DA97-15453A	ASSY HINGE-LOW; BK65,60	SA	1
9-1	3	A0247	DA61-10472A	HINGE-LOW; BK65,60,PO-SPHC,T4.0,-	SNA	1
9-2	3		DA61-10451A	GUIDE-FRE; BK65,PA66,HB,KN333G15,BLACK	SNA	1
9-3	3	A0518	DA66-00385A	SHAFT-HINGE; CORE,SWRCH10A,NATURAL,ZPC3(W	SA	2
9-4	3	A0848	DA81-01532A	SCREW-MACHINE; CH,+,M5,L12.7,ZPC(WHT),SWR	SA	1
10	2	Z1128	DA61-07546B	LEG-FRONT; GRAND CRU,PP,BLACK,RM60,PP Scr	SA	2
11	2		DA97-15452A	ASSY HINGE-MIDDLE; BK65	SA	1
12	2	A0280	DA63-08072A	COVER LAMP; ABS+PMMA,HB,COOL WHITE,HG-076	SA	1
13	2		DA67-04019A	CAP SPACE-DOOR LEFT; BK-PJT,ABS,HB,HG-076	SA	1
14	2		DA91-04455A	ASSY INSTALL-ACCESSORY; INOX GRAY	SNA	1
14-1	3		DA63-08060A	COVER WIRE-HINGE LEFT; BK-PJT,ABS,HB,INOX	SA	1
14-2	3		DA67-04020A	CAP SPACE-DOOR RIGHT; BK-PJT,ABS,HB,HG-07	SA	1
15	2		DA61-08932A	CAP CONTROL-PANEL; 3050,ABS,HB,HG-0760GP,	SA	1

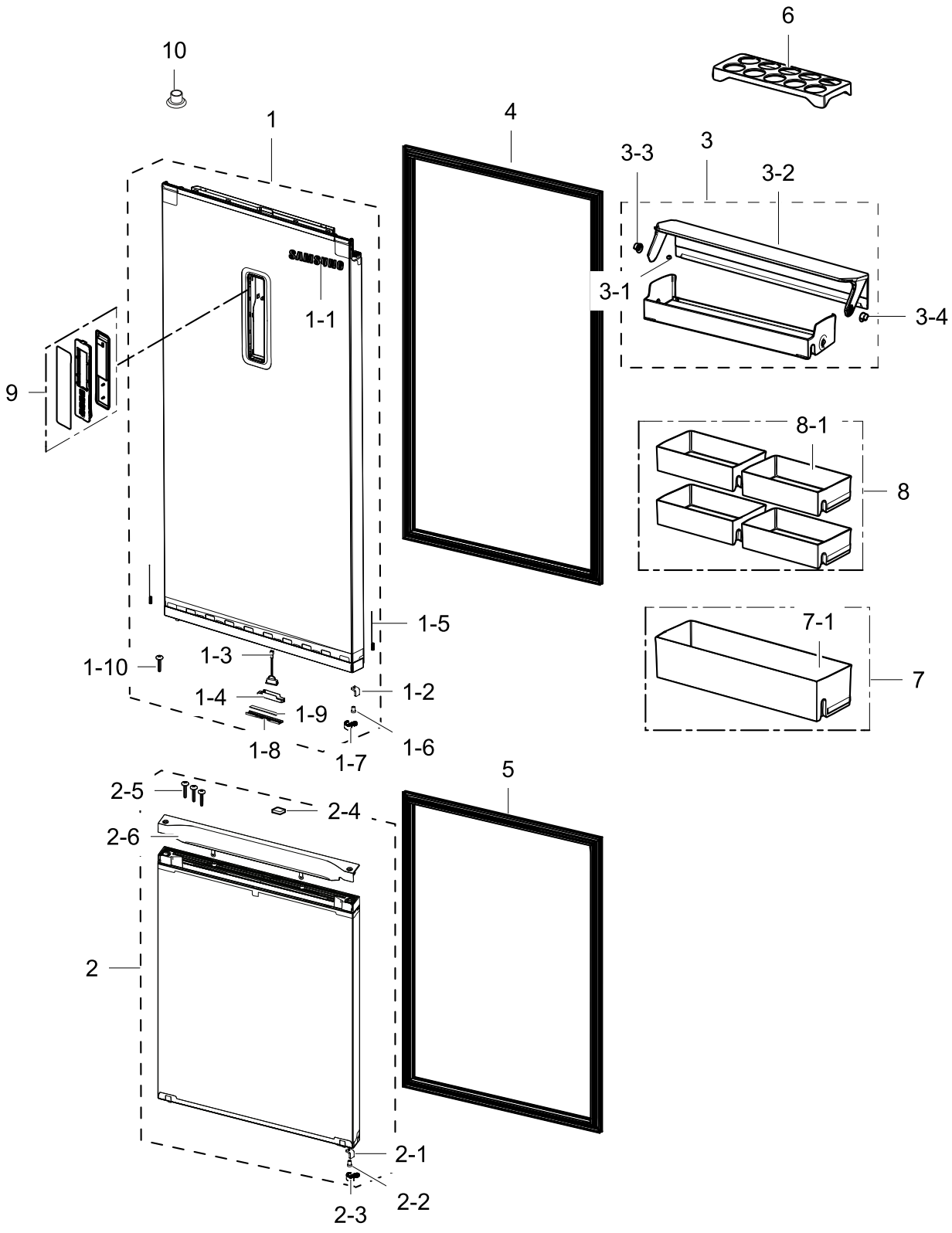
No.	Lvl.	Loc.	Material Code	Description & Specification	SNA	Qty.
16	2		DA63-08058A	COVER WIRE-HINGE RIGHT; BK-PJT,ABS,HB,INO	SA	1
17	2	G0022	DA97-13615A	ASSY COVER CONTROL-PANEL; 3050PJT,ASSY,IN	SA	1
17-1	3	A0506	DA63-07353A	COVER-CONTROL PANEL; 3050,ABS,HB,INOX GRA	SA	1
17-2	3	G0068	DA34-00043A	SWITCH REED; UL1007 AWG 22,100mm,DEM1-B50	SA	1
17-3	3		DA92-00178M	ASSY MODULE; 7-SEG, MATRIX,RB7000,WHITE L	SA	1
18	2		DA97-15464A	ASSY HINGE-UP; BK-PJT	SA	1
18-1	3		DA97-15465A	ASSY HINGE-SUB; BK-PJT,Electrostatic pain	SNA	1
18-2	3	A0518	DA66-00385A	SHAFT-HINGE; CORE,SWRCH10A,NATURAL,ZPC3(W	SA	2
19	2		DA96-01119A	ASSY LAMP LED; 3EA,FR-4,150*12,WHITE,SMAW	SA	1
20	2		DA60-00279A	FITTING-LOKRING 16; SUM23,16	SA	1
21	2		DA60-00280A	FITTING-LOKRING 33; SUM23,33	SA	1
22	2		DA60-00281A	FITTING LOKRING; SUM23,St 56	SA	1
23	1		DA92-00228F	ASSY PCB INVERTER; INVERTER,ARAM,148*98.5	SA	1
24	1		DA94-02933F	ASSY PCB EEPROM; 0X03,D602,RB7000J,DA92-0	SA	1
25	2	A0526	DA97-15476A	ASSY CHASSIS COMP; BK(7000,8000),C-FAN,CO	SA	1
25-1	3	A0527	DA61-06202A	CASTER-REAR; GRAND-CRU,PP,NATURAL	SA	2
25-2	3	A0861	DA60-90146A	PIN-CASTER; SR-289-429,MSWR10,OD6.0,L38,Z	SA	2
25-3	3		DA97-15648A	ASSY CHASSIS SUB COMP; BK(7000,8000),SUB	SNA	1
26	2		DA63-08057A	COVER WIRE-DOOR; BK-PJT,ABS,HB,INOX GRAY	SA	1
27	2		DA92-00701A	ASSY PCB SUB; RELAY PBA,RB5000J, BK60,60.	SA	1
28	2	M0489	DA27-00052A	COIL FILTER; 22mH,82*60,AC 3A,0.47uF / 0.	SA	1
29	2		DA63-08062A	COVER UNIT; BK,ABS,HB,INOX GRAY,HG-0760GP	SA	2
30	2	A0562	DA39-00429D	ASSY WIRE HARNESS-EARTH; ALL,FREE VOLT,UL	SA	1
31	2	M0116	DA97-15301B	ASSY SUPPORT-CIRCUIT MOTOR; GRAN CRU,C-15	SA	1
31-1	3	A0768	DA61-20128A	SPRING ETC-FAN; STS304,PI8.8,ID7.8,OD9.8,	SNA	1
31-2	3		DA31-00339A	MOTOR BLDC FAN; ARCS2088RA,1230 RPM,12V,1	SNA	1
32	2	G0270	DA97-12330B	ASSY PIPE-CONDENSER; GRAND CRU,SPIRAL, AL	SA	1

Exploded Views and Parts List

No.	Lvl.	Loc.	Material Code	Description & Specification	SNA	Qty.
32-1	3	M0181	DA63-40128A	GROMMET-SUB COND; -,NBR,-,-,-,-,-,DARK-	SA	2
33	2		DA67-03725A	CAP SCREW; 3050,PP,HB,INOX GRAY	SA	1
34	2	M0076	DA97-15477A	ASSY COVER COMP; BK65 (RB7000J)	SA	1
35	3		DA97-15722A	ASSY CASE PBA; BK-PJT,MPPE	SNA	1
36	3		DA97-19607A	ASSY GROMMET; POLARIS,POM	SNA	4
37	2		DA67-04049A	CAP HINGE-HOLE; BK,ABS,T2.0,HB,WT0048,SNO	SA	2
38	3	G0202	DA63-00246B	GROMMET-DRAIN HOSE; CORE-PJT,NBR,-,-,-,-,-	SA	1
40	2		DA61-09324A	HOLDER WIRE; 3050,PP,BLACK,RM60,PP SCRAP	SA	1

4. Door

Exploded View



Parts List

No.	Lvl.	Loc.	Material Code	Description & Specification	SNA	Qty.
1	2	Z1100	DA91-04337N	ASSY DOOR FOAM-REF; BK,2010,RECESS,OUT DI	SA	1
1-1	3	M0196	DA64-04020C	MASCOT; ALL,Ni,T0.06,L80	SA	1
1-2	5	A0640	DA61-11193A	STOPPER DOOR; RB6000KC,PO-SPHC,T4.0	SA	2
1-3	4		DA34-00043J	SWITCH REED; UL1007 AWG 22,50mm,DEM1-B503	SA	1
1-4	4	G0271	DA67-02385L	CAP-REED SWITCH; SVETA-PJT,PP-,NOBLE GRA	SA	1
1-5	5	A0663	DA61-03684A	SPRING ETC-EARTH; W07,STS304,-,-,-,-,-	SNA	2
1-6	5	A0827	DA63-08059A	GROMMET HINGE; BK65,60,PA66,BLACK	SA	2
1-7	5		DA66-01213A	LEVER AUTO CLOSE; RB6000KC,POM,K300,BK000	SA	2
1-8	4		DA63-08070A	COVER LAMP-REF LOW; BK PJT,PMMA,HB,WHITE,	SA	1
1-9	4		DA96-00392F	ASSY LAMP LED; 4ea,CEM-1,83*10,ICEBLUE,SM	SA	1
1-10	5	G0412	6002-000524	SCREW-TAPPING; TH,+,NO,2S,M4,L20,ZPC(WHT)	SA	4
2	2	M0063	DA91-04340V	ASSY DOOR FOAM-FRE; BK65,2010,RECESS,A+/A	SA	1
2-1	5	A0640	DA61-11193A	STOPPER DOOR; RB6000KC,PO-SPHC,T4.0	SA	2
2-2	5	A0827	DA63-08059A	GROMMET HINGE; BK65,60,PA66,BLACK	SA	2
2-3	5		DA66-01213A	LEVER AUTO CLOSE; RB6000KC,POM,K300,BK000	SA	2
2-4	5	A0534	DA61-03769B	MAGNET; SVETA,FERRITE,1600Gauss	SA	1
2-5	5	G0412	6002-000524	SCREW-TAPPING; TH,+,NO,2S,M4,L20,ZPC(WHT)	SA	4
2-6	5	A0071	DA67-04308A	CAP DOOR-FRE UP; BK,ABS,T2.3,HB,BX64128,B	SA	1
3	2	A0636	DA97-15479A	ASSY GUARD DAIRY; BK,HOT STAMPING	SA	1
3-1	3		DA63-07538A	GROMMET-A; MOUTON12,SI,COOL WHITE,NAME TA	SA	2
3-2	4		DA63-08045A	COVER DAIRY; RB7000J,GPPS,T3.0,HB,TP BLUE	SNA	1
3-3	3		DA67-02920A	CAP-HINGE DAIRY R; HERMES,POM,NTR	SA	1
3-4	3		DA67-02921A	CAP-HINGE DAIRY L; HERMES,POM,NTR	SA	1
4	2		DA97-13921Q	ASSY GASKET-REF; RB7000J,RB41,GRAY,Section	SA	1
5	2		DA97-13921V	ASSY GASKET-FRE; RB7000J,GRAY,Section(DA6	SA	1
6	2	A0656	DA63-06221A	TRAY EGG; GRAND-CRU,GPPS,TP BLUE,165N,HI-	SA	1
7	2	A0167	DA97-15481A	ASSY GUARD BOTTLE; BK,HOT STAMPING	SA	1
7-1	3	A0151	DA63-08039A	GUARD BOTTLE; RB7000,GPPS,T3.0,TP BLUE	SA	1

No.	Lvl.	Loc.	Material Code	Description & Specification	SNA	Qty.
8	2		DA97-15480A	ASSY GUARD VARIETY; BK,HOT STAMPING	SA	4
8-1	3	A0153	DA63-08038A	GUARD VARIETY; RB7000,GPPS,T3.0,TP BLUE	SA	4
9	2	A0626	DA97-15462A	ASSY COVER CONTROL; RB7000,External Displ	SA	1
10	2		DA67-04054G	CAP HINGE; ABS,T1.2,HB,HG-0760GP,INOX GRA	SA	1