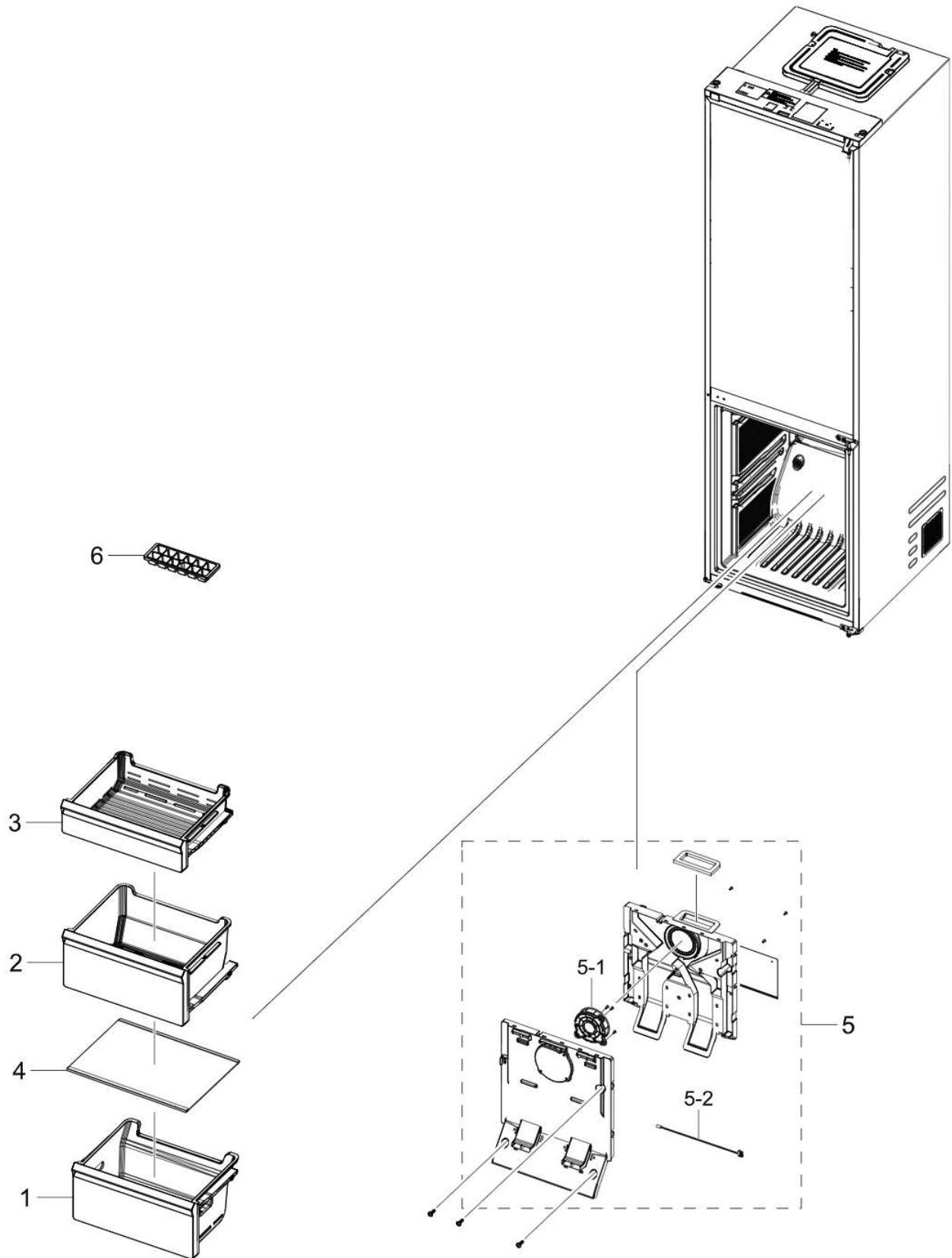


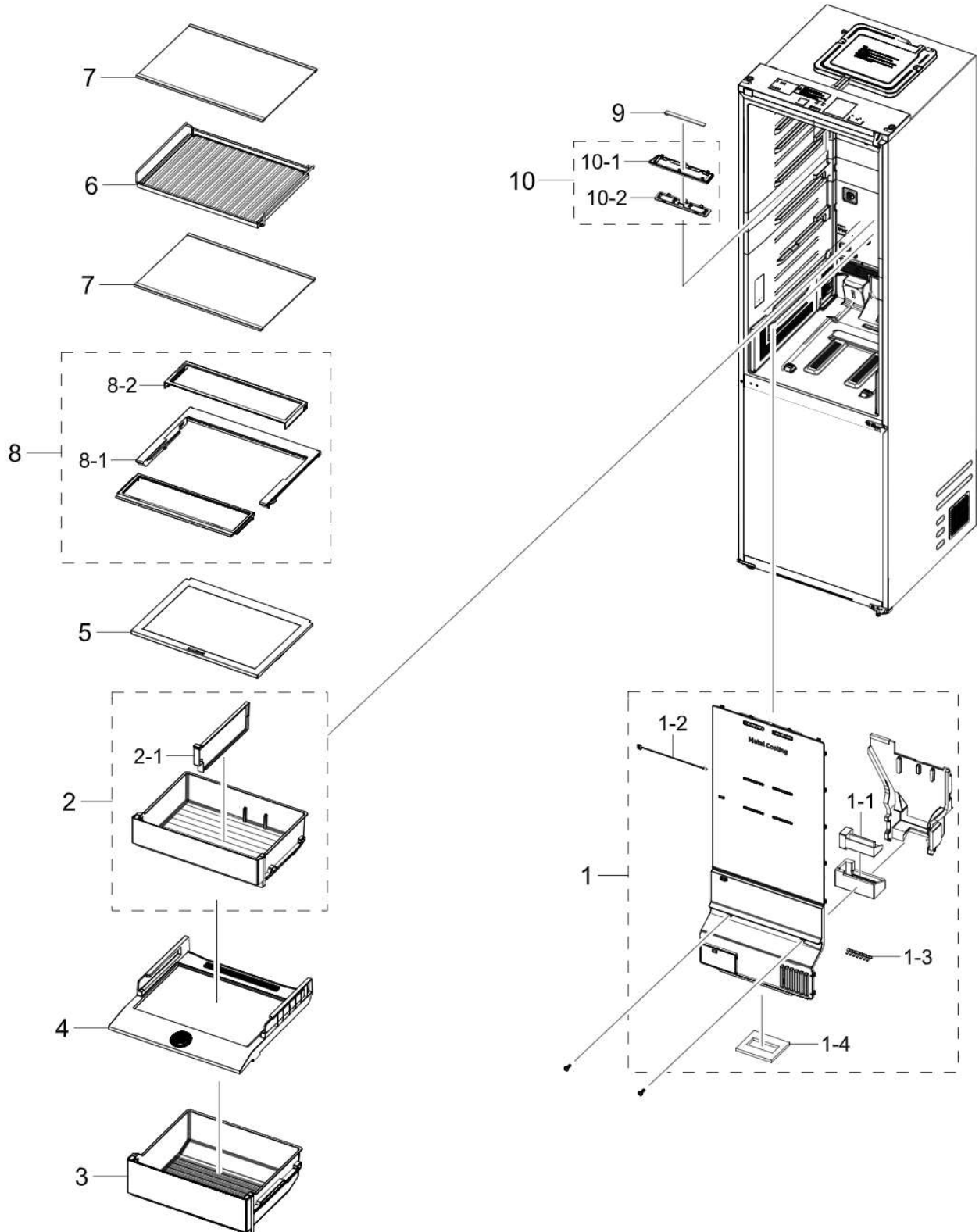
# 1. RB38T676CS9/EF

## Exploded View



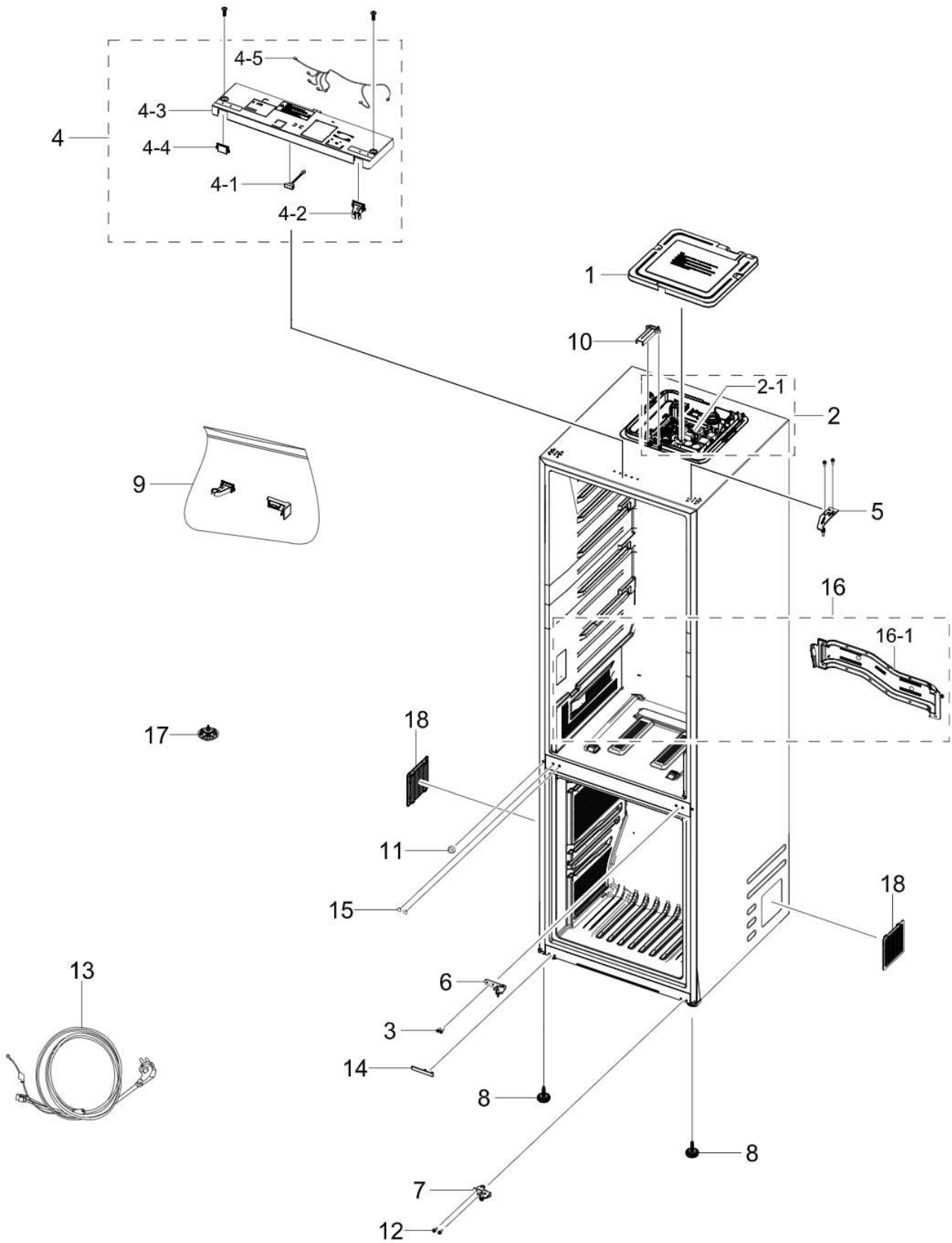
## 2. Refrigerator

### Exploded View



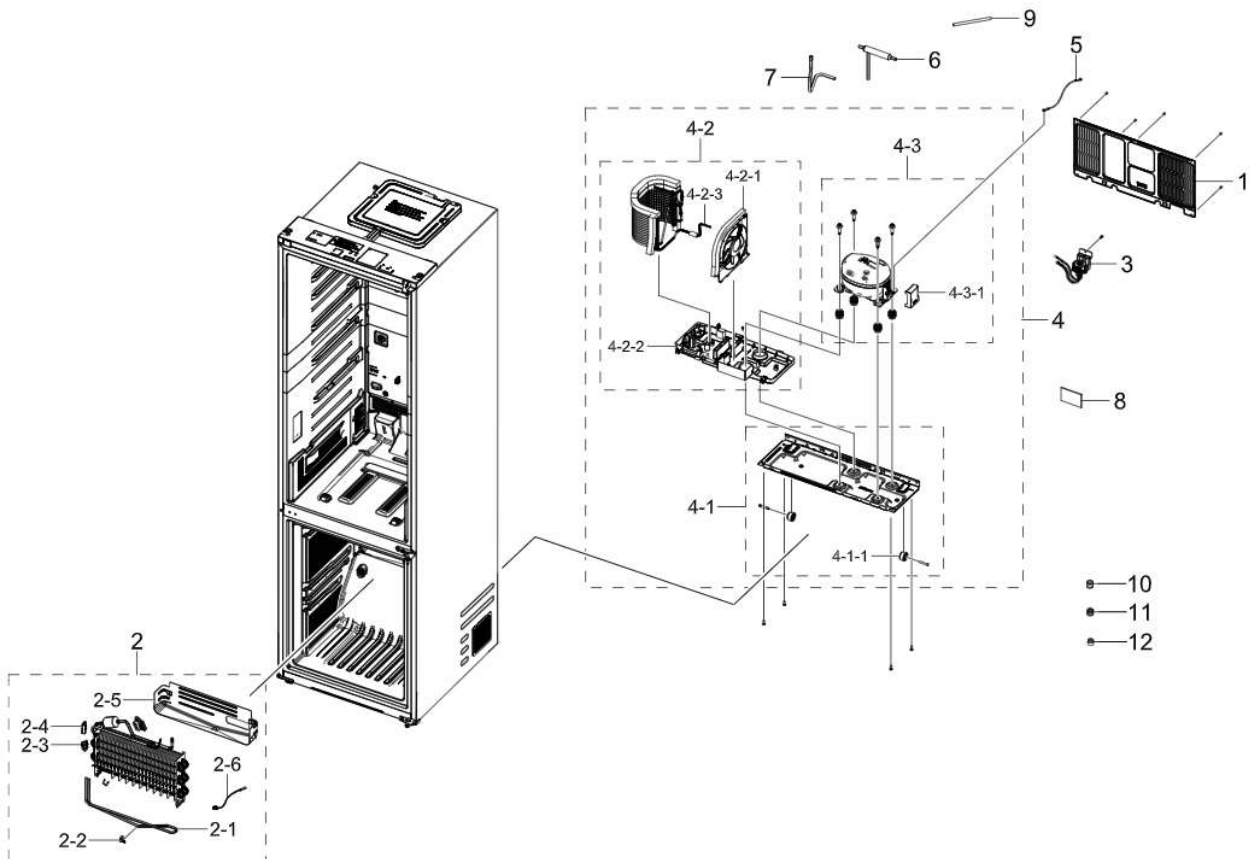
### 3. Cabinet

#### Exploded View



## 4. Cycle

### Exploded View



### Parts List

No.	Lvl.	Loc.	Material Code	Description & Specification	SNA	Qty.
1	2	M0076	DA97-15477F	ASSY COVER COMP; RB7300T	SA	1
2	2	A0163	DA96-01009F	ASSY EVAP-FRE; RB7300, 3050,230V,140W,Hea	SA	1
2-1	3		DA47-00507E	HEATER METAL SHEATH; AC230V,377.9ohm,140W	SNA	1
2-2	3	M9010	DA61-03644A	PLATE-EVAP HEATER; AW-PJT,Al,T0.7	SA	1
2-3	3	G0205	DA61-04921B	FIXER-HEATER FRE; HERMES-PJT,PP,NATURAL,V	SA	1
2-4	3	A0744	DA61-07411A	FIXER-FUSE; NW2,PP,NATURAL,BJ750	SA	1
2-5	3	A0754	DA61-08936A	PLATE-DRAIN; 3050,GI-SGCC,T0.3	SA	1
2-6	3	A1018	DA32-00006D	SENSOR TEMP; F DEF-SENSOR,L250,200kohm,1%	SNA	1
3	2		DA97-12843C	VALVE STEP; DC12V,MODULE,1 WAY,RIGHT bend	SA	1
4	2		DA97-21454A	ASSY MODULE IN-COMP N CONDENSING; RB7300T	SNA	1

# 5. Door

## Exploded View

