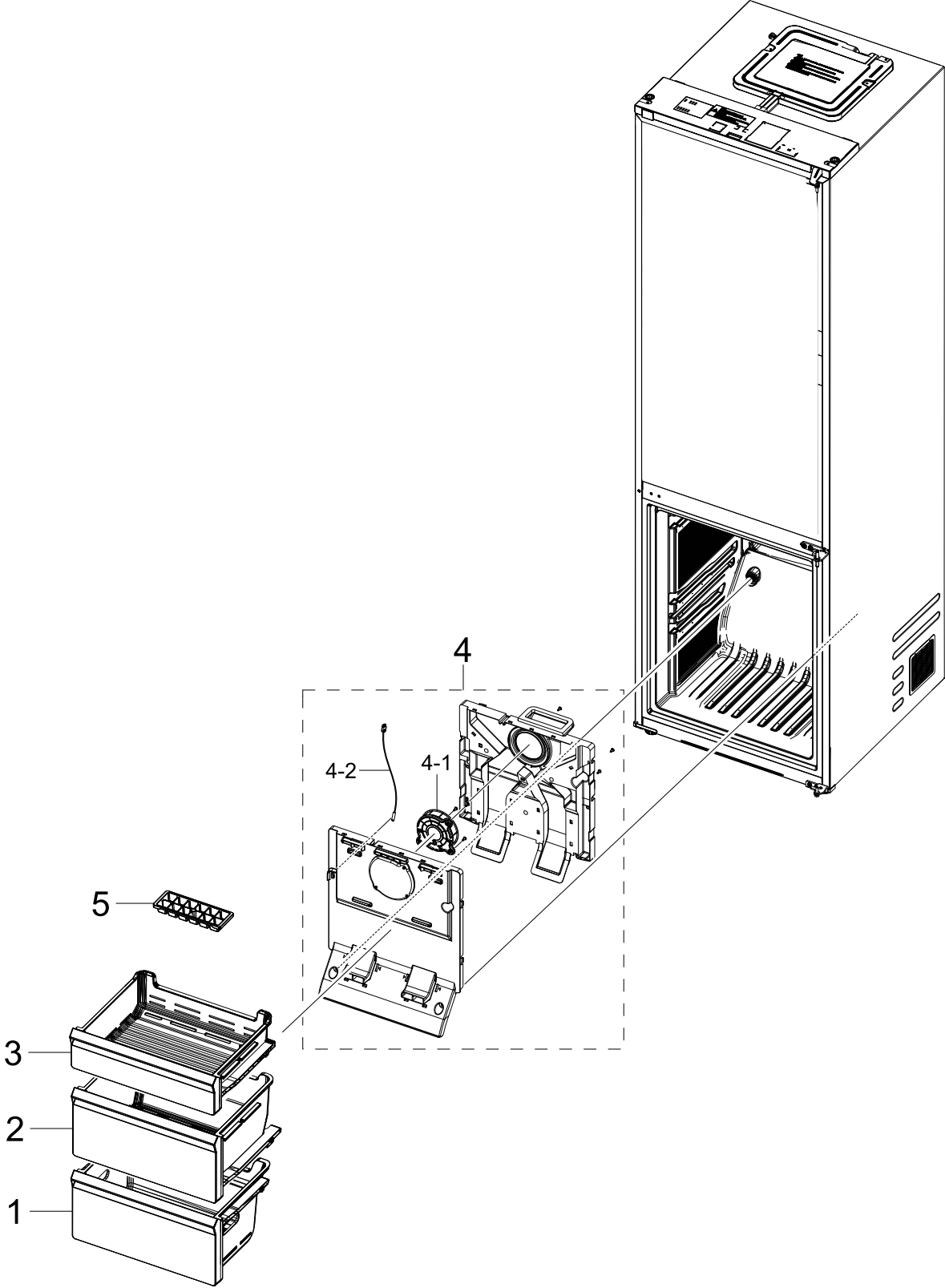


1. FREEZER

FREEZER

Exploded View



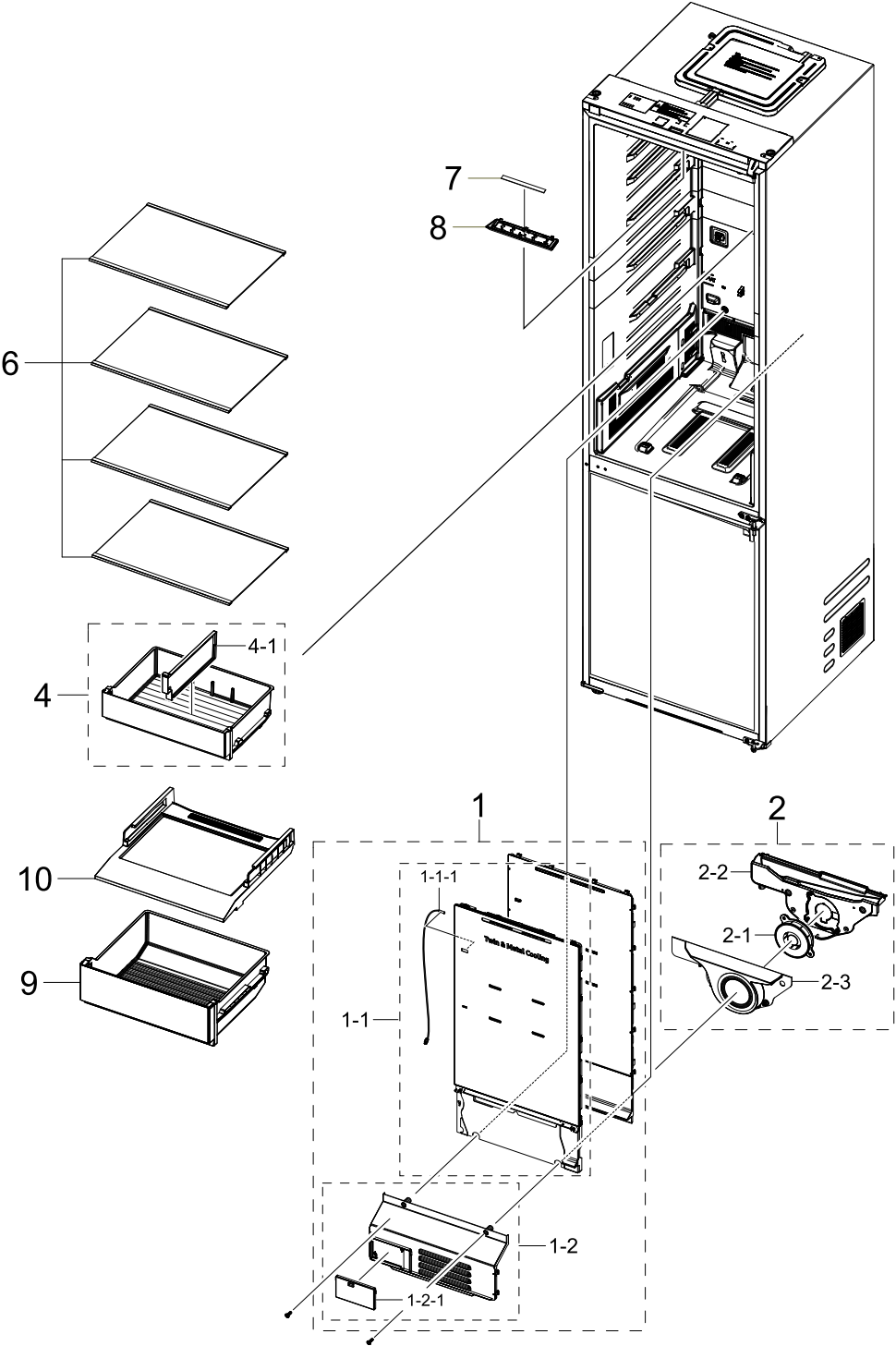
Parts List

No.	Lvl.	Loc.	Material Code	Description & Specification	SNA	Qty.
1	2	G0267	DA97-21136A	ASSY TRAY-FRE LOW DRAWER MODULE; RB7300T,	SA	1
2	2		DA97-21135A	ASSY TRAY-FRE MIDDLE DRAWER MODULE; RB730	SA	1
3	2	M0483	DA97-21134A	ASSY TRAY-FRE UP DRAWER MODULE; RB7300T,T	SA	1
4	2	M0303	DA97-21145A	ASSY COVER EVAP-FRE COVER EVAP MODULE; RB	SA	1
4-1	3		DA31-00334C	MOTOR BLDC FAN;12035GE-12M-YT,1775±7%,12	SA	1
4-2	3	A1018	DA32-10105X	SENSOR TEMP;QUEEN PJT,-40~120°C,5V,F-SENS	SA	1
5	2		DA67-40146A	TRAY ICE-ICE MODULE; RB7300T,PP,T1.5,HB,N	SA	1

2. FRIDGE

FRIDGE

Exploded View



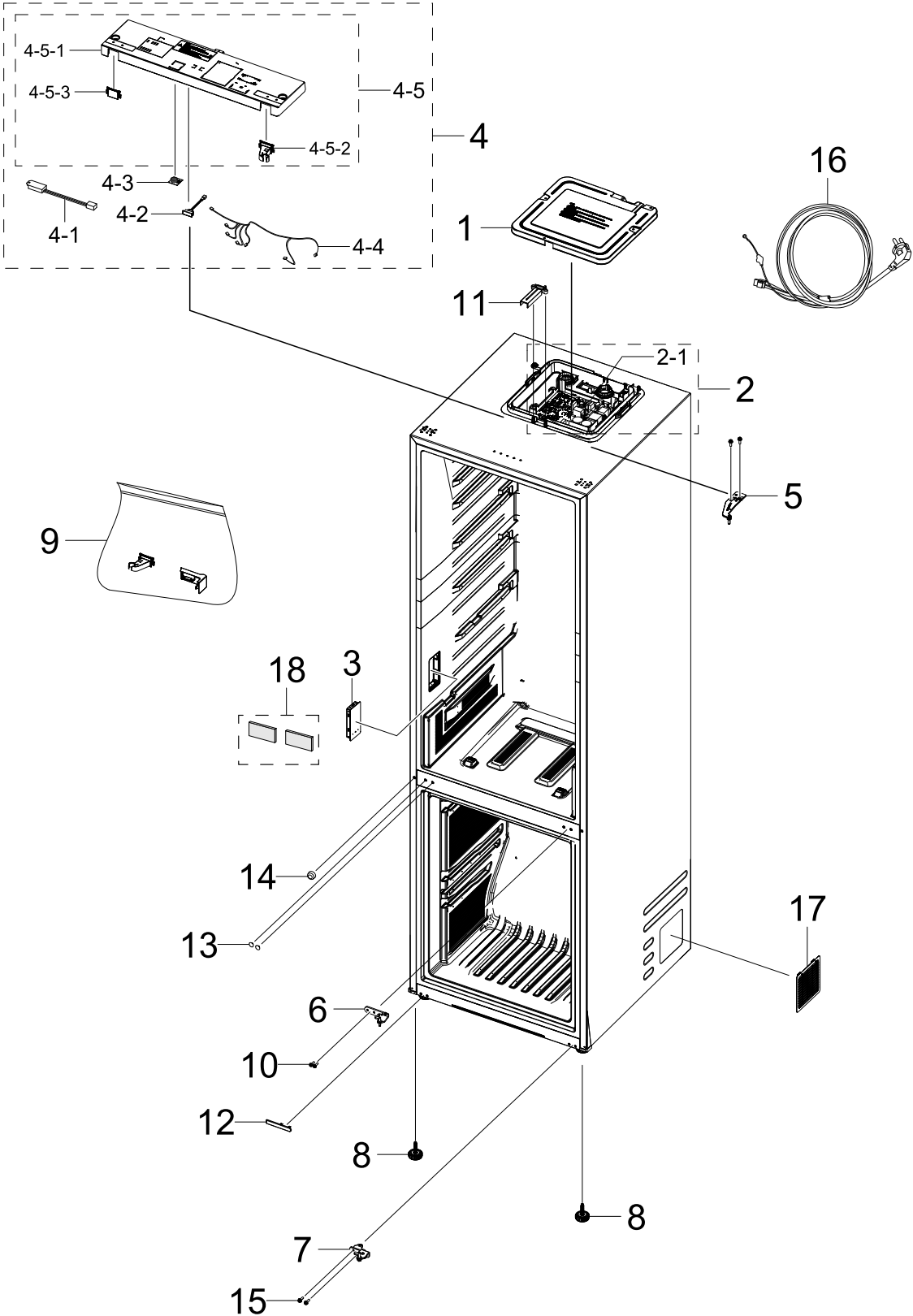
Parts List

No.	Lvl.	Loc.	Material Code	Description & Specification	SNA	Qty.
1	2	Z1177	DA97-22031C	ASSY COVER EVAP-REF; RB73000 TWIN,Non met	SA	1
1-1	3	Z1177	DA97-22509C	ASSY COVER EVAP-REF; RB7300,SUB ASSY,SENS	SA	1
1-1-1	5	A1018	DA32-00070E	SENSOR TEMP; SC41198-021A,1100mm,13.2kohm	SA	1
1-2	3	A0678	DA97-22130A	ASSY COVER DAMPER-REF; RB7300T TWIN,Sub A	SA	1
1-2-1	4		DA63-06337D	COVER CONVERTIBLE-MULTI; RB7300,PP,HB,COO	SA	1
2	2		DA97-22132A	ASSY CASE MOTOR-REF; RB7300T TWIN	SA	1
2-1	3		DA31-00334D	MOTOR BLDC FAN; 12035GE-12M-YT,1775±7%,12	SA	1
2-2	3		DA61-14589A	BRACKET MOTOR-REF A; RB7300T TWIN,ABS,T2,	SNA	1
2-3	3		DA61-14590A	CASE MOTOR-REF; RB7300T TWIN,ABS,T2,BLACK	SNA	1
4	2		DA97-21132A	ASSY CASE VEG-UP DRAWER MODULE; RB7300T,T	SA	1
4-1	3		DA61-14031A	GUIDE TRAY-REF; RB7300T,HIPS,T2.5,576H,CO	SA	1
6	2		DA97-13502D	ASSY SHELF-GLASS REF SHELF MODULE; RL31/2	SA	4
7	2		DA96-01119A	ASSY LAMP LED; 3EA,FR-4,150*12,WHITE,SMAW	SA	1
8	2		DA97-21569A	ASSY COVER LAMP; RB7300T,COVER LAMP, ASSY	SA	1
9	2	M0300	DA97-21133C	ASSY CASE VEG-LOW DRAWER MODULE; RB7300T,	SA	1
10	2		DA97-23058A	ASSY SHELF-VEG LOW SHELF MODULE; RB7300T	SA	1

3. CABINET

CABINET

Exploded View



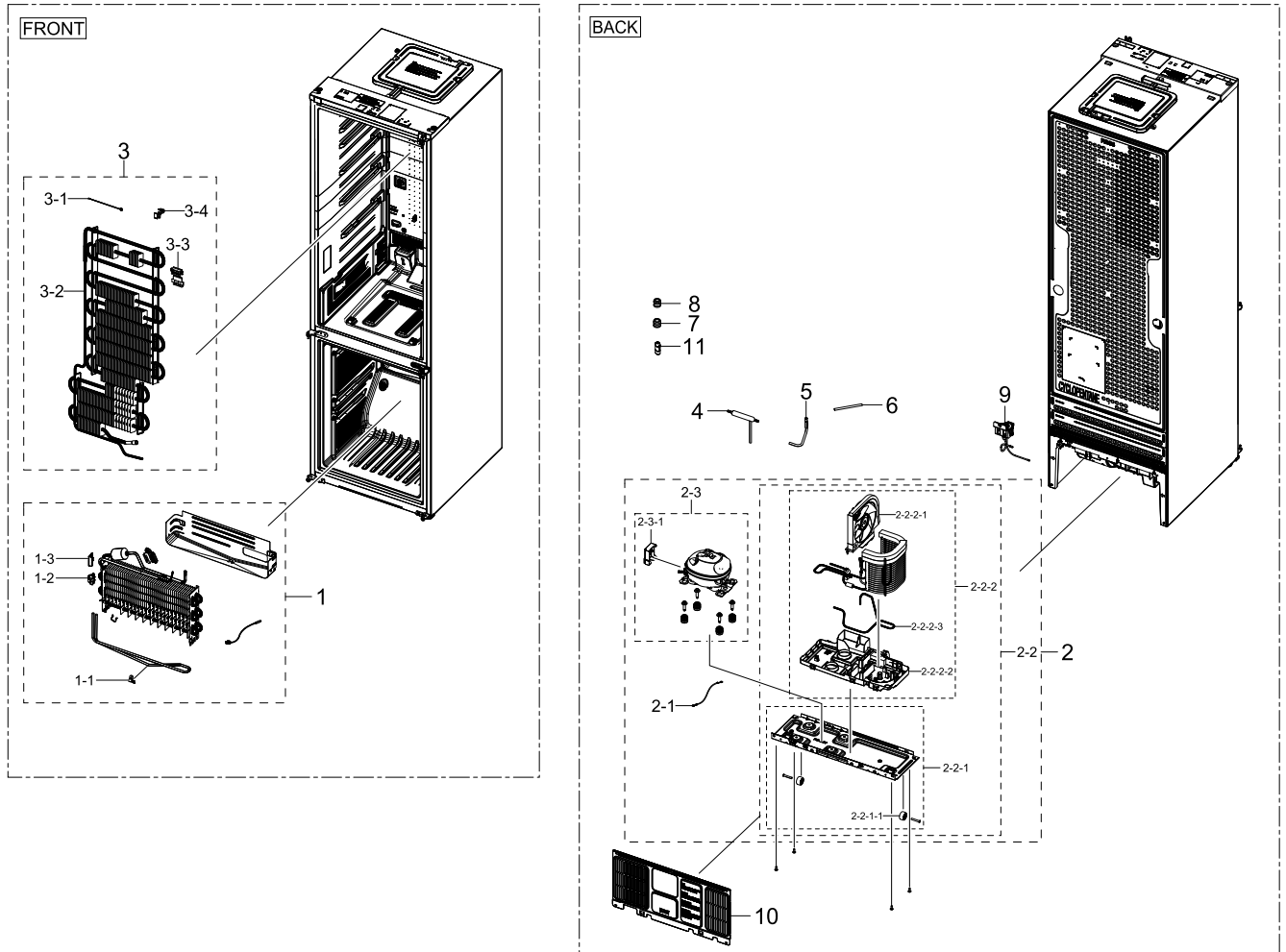
Parts List

No.	Lvl.	Loc.	Material Code	Description & Specification	SNA	Qty.
1	2		DA97-21372A	ASSY COVER PBA-MAIN; RB7300T,GI-SGCC,T0.4	SA	1
2	1		DA94-05957N	ASSY PCB EEPROM; 0x2F,DA92-01297A,D602,D6	SA	1
2-1	2	A0952	DA92-01297A	ASSY PCB MAIN; TWIN COOLING,RB7300T,160*1	SNA	1
3	2	A0626	DA97-21005Q	ASSY COVER CONTROL; RB7300T,TWIN	SA	1
4	2	A1288	DA97-21246W	ASSY TOP TABLE; RB7300,INTERNAL DISPLAY,I	SA	1
4-1	3	A1108	DA32-00074A	SENSOR HUMIDITY; 5V,0~100%RH,REF	SA	1
4-2	3		DA34-00043J	SWITCH REED; UL1007 AWG 22,50mm	SA	1
4-3	3		DA92-00817A	ASSY MODULE; BUZZER PBA,RB6000K,Standard	SA	1
4-4	3		DA96-01418C	ASSY WIRE HARNESS-TOP; RB7300T, Mono,INTE	SA	1
4-5	3		DA97-22073A	ASSY TOP TABLE-FRONT; RB7300T,INOX GRAY	SA	1
4-5-1	4	A1109	DA64-06305A	TOP TABLE; RB7300T,ABS,-,INOX GRAY,-,HG-0	SA	1
4-5-2	4		DA63-09846A	COVER WIRE-HINGE RIGHT; RB7300T,ABS,T1.2,	SA	1
4-5-3	4		DA67-05048A	CAP HINGE; RB7300T,ABS,T2,HB,HG-0760GP,IN	SA	1
5	2		DA97-21173A	ASSY HINGE-UP; RB7300T,4T,BLACK	SA	1
6	2		DA97-21646A	ASSY HINGE-MIDDLE; RB7300T,T4.5,BLACK	SA	1
7	2	M0344	DA97-21632A	ASSY HINGE-LOW; RB7300T,T4,BLACK	SA	1
8	2	Z1128	DA61-07546B	LEG-FRONT; GRAND CRU,PP,BLACK,-,P-002HB,R	SA	2
9	2		DA91-05341A	ASSY INSTALL-REVERSIBLE KIT; RB7300T,C GR	SA	1
10	2	A0564	DA60-10123C	BOLT-HEX; M6,L24,ZPC(WHT),HWH,SWRCH18A,HW	SA	2
11	2		DA63-09844A	COVER WIRE-CABI; RB7300T,ABS,T2,HB,INOX G	SA	1
12	2		DA67-05095A	CAP SCREW-A; RB7300T,ABS,T1.5,GP-35,COOL	SA	1
13	2		DA67-04049A	CAP HINGE-HOLE; BK,ABS,T2,HB,HG-0760GP,SN	SA	2
14	2		DA67-03725A	CAP SCREW; 3050,PP,HB,49MK45,INOX GRAY	SA	1
15	2	A0564	6011-001546	BOLT-HEX; M5(P0.8),L16,ZPC(WHT),HWH,+,SWR	SA	2
16	2	A0273	3903-001015	POWER CORD-AT; H05VV-F 3x0.75mm2,BLK,EU3F	SA	1
17	2		DA63-08062A	COVER UNIT; BK,HIPS,HB,INOX GRAY,576H	SA	2
18	6		DA72-60040C	SEAL CUTT-RUBBER; RF6000T,RUBBER,T4,W45,L	SA	2

4. CYCLE

CYCLE

Exploded View



Parts List

No.	Lvl.	Loc.	Material Code	Description & Specification	SNA	Qty.
1	2		DA96-01009G	ASSY EVAP-FRE EVAP MODULE; RB7300T TWIN,2	SA	1
1-1	3	M9010	DA61-03644A	PLATE-EVAP HEATER; AW-PJT,Al,T0.7	SA	1
1-2	3	G0205	DA61-04921B	FIXER-HEATER FRE; HERMES-PJT,PP,-,NATURAL	SA	1
1-3	3	A0744	DA61-07411A	FIXER-FUSE; NW2,PP,NATURAL,BJ750	SA	1
2	2		DA97-21454A	ASSY COMP N CONDENSING-COND MODULE; RB730	SNA	1
2-1	3	A0562	DA39-20389A	ASSY WIRE HARNESS-EARTH; EARTH,ALL,FREE V	SA	1
2-2	3		DA97-21379A	ASSY CHASSIS; RB7300T,PFC B, C-FAN	SNA	1
2-2-1	4	A0526	DA97-21174A	ASSY CHASSIS COMP; RB7300T,GI-SGCC,T0.8,C	SA	1
2-2-1-1	5	A0527	DA61-06202A	CASTER-REAR; GRAND-CRU,PP,NATURAL	SA	2
2-2-2	4	A0529	DA97-21175A	ASSY TRAY DRAIN WATER; RB7300T,Fan, PFC-B	SA	1

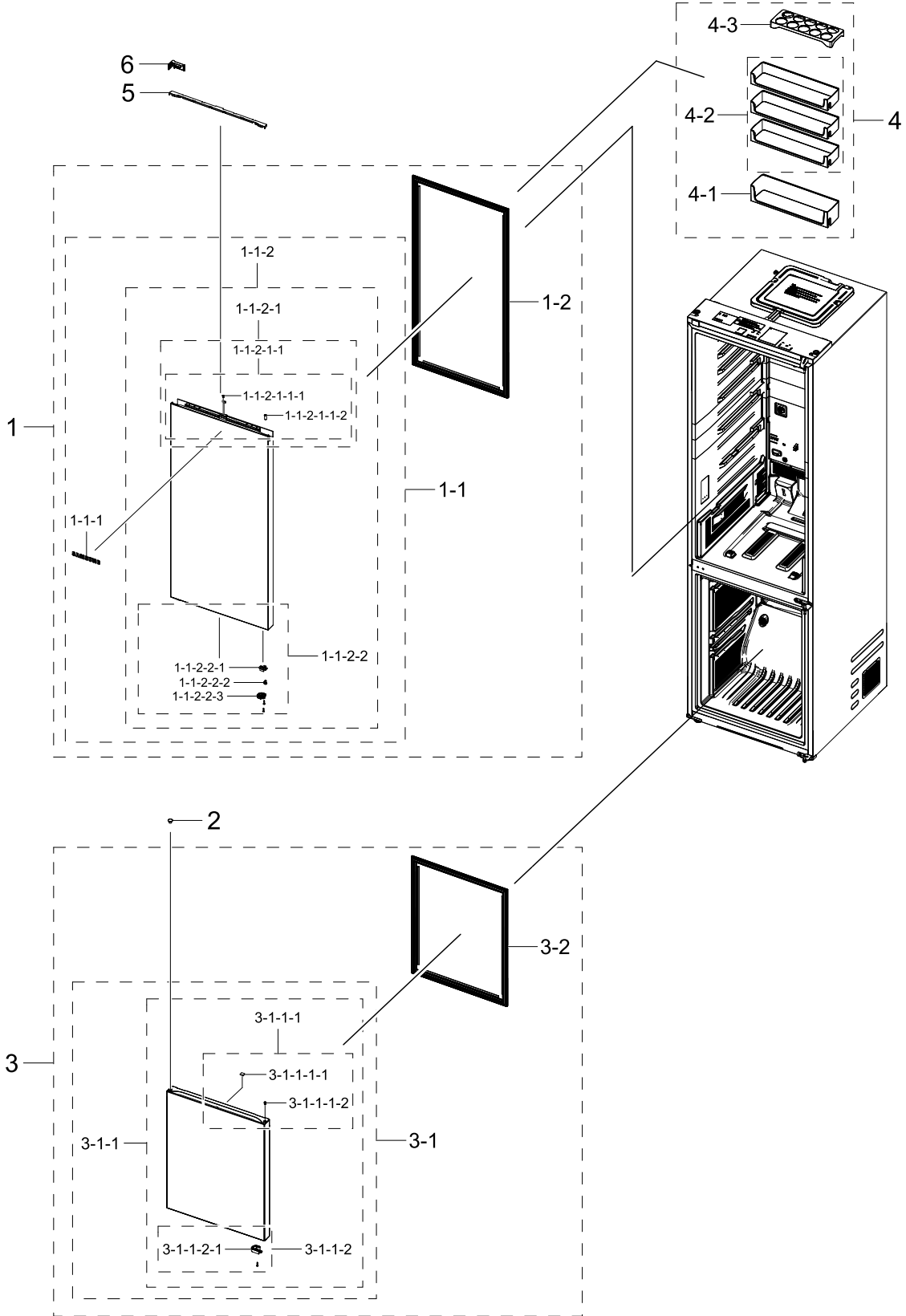
Exploded Views and Parts List

No.	Lvl.	Loc.	Material Code	Description & Specification	SNA	Qty.
2-2-2-1	5	M0116	DA97-20025B	ASSY SUPPORT-CIRCUIT MOTOR; RS5000RC,C160	SA	1
2-2-2-2	5		DA97-21381A	ASSY TRAY DRAIN WATER-SUB; RB7300T	SA	1
2-2-2-3	5		DA97-21518A	ASSY PIPE IMMERSING; RB7300T,PIPE IMMERGI	SA	1
2-3	3		NN54T9902AVAK3	CMP,COMP,REFRIGERATOR,R600A; CMP,COMP,REFRIGERATOR,R600A		1
2-3-1	4	Z1032	DA63-09845A	COVER RELAY; RB7300T,MPPE,T2,V-0,BLACK,N3	SA	1
3	2	A0184	DA96-01475A	ASSY EVAP-REF; RB7300T TWIN,FIN TUBE,Heat	SA	1
3-1	3	A1018	DA32-10104W	SENSOR TEMP; DOUBLE_INSULATION, TPA,L200,	SA	1
3-2	3		DA59-00630A	EVAPORATOR-REF; Fin Tube,RB7300T TWIN,1,A	SNA	1
3-3	3	A0743	DA61-00453A	FIXER-SENSOR; A-TOP,EVAP,PP,-,NATURAL,-,B	SA	1
3-4	3		DA61-06013B	FIXER WIRE; AW3-PJT,PP,T2,NATURAL,-,BJ750	SA	1
4	2	A0669	DA62-04309E	DRYER; C1220T-H,L118,SINGLE MOUTH,OD15.8,	SA	1
5	2		DA62-05500A	PIPE CONNECT-SUCTION; RB7300T,Cu,OD6.35,T	SA	1
6	2	A0523	DA73-10190U	PIPE-CONNECT DISC,B; ALL,C1220T,Cu,OD6.35	SA	1
7	2		DA60-00281A	FITTING LOCK SLEEVE; SUM23,ID5.02,11SMnPb	SA	1
8	2		DA60-00280A	FITTING-LOKRING 33; SUM23,ID3/16,33, 11SM	SA	1
9	2		DA62-04678B	VALVE STEP; DC12V,MODULE,2WAY,RIGHT/RIGHT	SA	1
10	2	M0076	DA97-15477F	ASSY COVER COMP; RB7300T	SA	1
11	2		DA63-08943A	GROMMET; BRR9000M,NBR,CAPI GROMMET	SA	1

5. DOOR

DOOR

Exploded View



Parts List

No.	Lvl.	Loc.	Material Code	Description & Specification	SNA	Qty.
1	2		DA97-21623V	ASSY DOOR SUB-REF DOOR MODULE; RB7300T,RB	SNA	1
1-1	3	Z1100	DA91-05335F	ASSY DOOR FOAM-REF; RB7300T,S9(REFINED IN	SA	1
1-1-1	4	M0196	DA64-04020C	MASCOT; ALL,Ni,T0.06,L80	SA	1
1-1-2	4		DA97-21233J	ASSY PLATE DOOR-REF; RB7300T,RB38,IN-CONT	SNA	1
1-1-2-1	5		DA97-21210B	ASSY CAP DOOR-REF UP; RB7300T,INOX GRAY,I	SNA	1
1-1-2-1-1	6		DA97-21605B	ASSY CAP DOOR-REF UP; RB7300T,INOX GRAY,I	SNA	1
1-1-2-1-1-1	7		DA67-02795C	CAP-SHAFT HOLE; AW3,ABS,HG-0760GP,SNOW WH	SA	1
1-1-2-1-1-2	7		DA63-07545A	GROMMET HINGE-MIDDLE; FOOD SHOWCASE,PA66+	SA	1
1-1-2-2	5	A0048	DA97-21211B	ASSY CAP DOOR-REF LOW; RB7300T,BLACK,RECE	SNA	1
1-1-2-2-1	6	A0640	DA61-14266A	STOPPER DOOR; RB7300T, METAL,PO-SPHC,T4,A	SA	1
1-1-2-2-2	6		DA63-09976A	GROMMET DOOR-REF; RB7300T,POM,BLACK,-,K30	SA	1
1-1-2-2-3	6		DA66-01480A	LEVER AUTO CLOSE; RB7300T,POM,T1.8,K300,B	SA	1
1-2	3		DA97-21244B	ASSY GASKET; RB7300,GRAY,Sub combination,	SA	1
2	2		DA67-04054H	CAP HINGE; RB7300T,ABS,T1.6,HB,HG-0760GP,	SA	1
3	2		DA93-01542A	ASSY DOOR SUB-FRE DOOR MODULE; RB7300T,RB	SNA	1
3-1	3	M0063	DA91-06445E	ASSY DOOR FOAM-FRE; RB7300T,RB38,S9(REFIN	SA	1
3-1-1	4		DA97-21234K	ASSY PLATE DOOR-FRE; RB7300T,RECESS,S9(MA	SNA	1
3-1-1-1	5		DA97-21212B	ASSY CAP DOOR-FRE UP; RB7300T,DARK GRAY,R	SNA	1
3-1-1-1-1	6	A0534	DA61-03769B	MAGNET; SVETA,FERRITE,1600Gauss	SA	1
3-1-1-1-2	6	A0827	DA63-08059A	GROMMET HINGE; BK65,60,PA66+GF15%,BLACK,-	SA	1
3-1-1-2	5	A0047	DA97-21213A	ASSY CAP DOOR-FRE LOW; RB7300T,BLACK	SNA	1
3-1-1-2-1	6		DA66-01445A	LEVER AUTO CLOSE; RB7300T,POM,T1.8,K300,B	SA	1
3-2	3		DA97-21244B	ASSY GASKET; RB7300,GRAY,Sub combination,	SA	1
4	1	A0166	DA90-12422B	ASSY GUARD; RB7300T,RB38/36,TP Blue,REF U	SNA	1
4-1	2	A0151	DA63-09802A	GUARD-BOTTLE DOOR BIN MODULE; RB7300T,GPP	SA	1
4-2	2	M0447	DA63-09799A	GUARD-REF UP DOOR BIN MODULE; RB7300T,GPP	SA	3
4-3	2	A0656	DA63-06221A	TRAY EGG; RF9000A,GPPS,T2.5,TP BLUE	SA	1
5	2		DA63-09843A	COVER WIRE-DOOR; RB7300T,ABS,T2,HB,INOX G	SA	1
6	2		DA67-05049A	CAP SPACE-DOOR LEFT; RB7300T,ABS,T1.5,HB,	SA	1