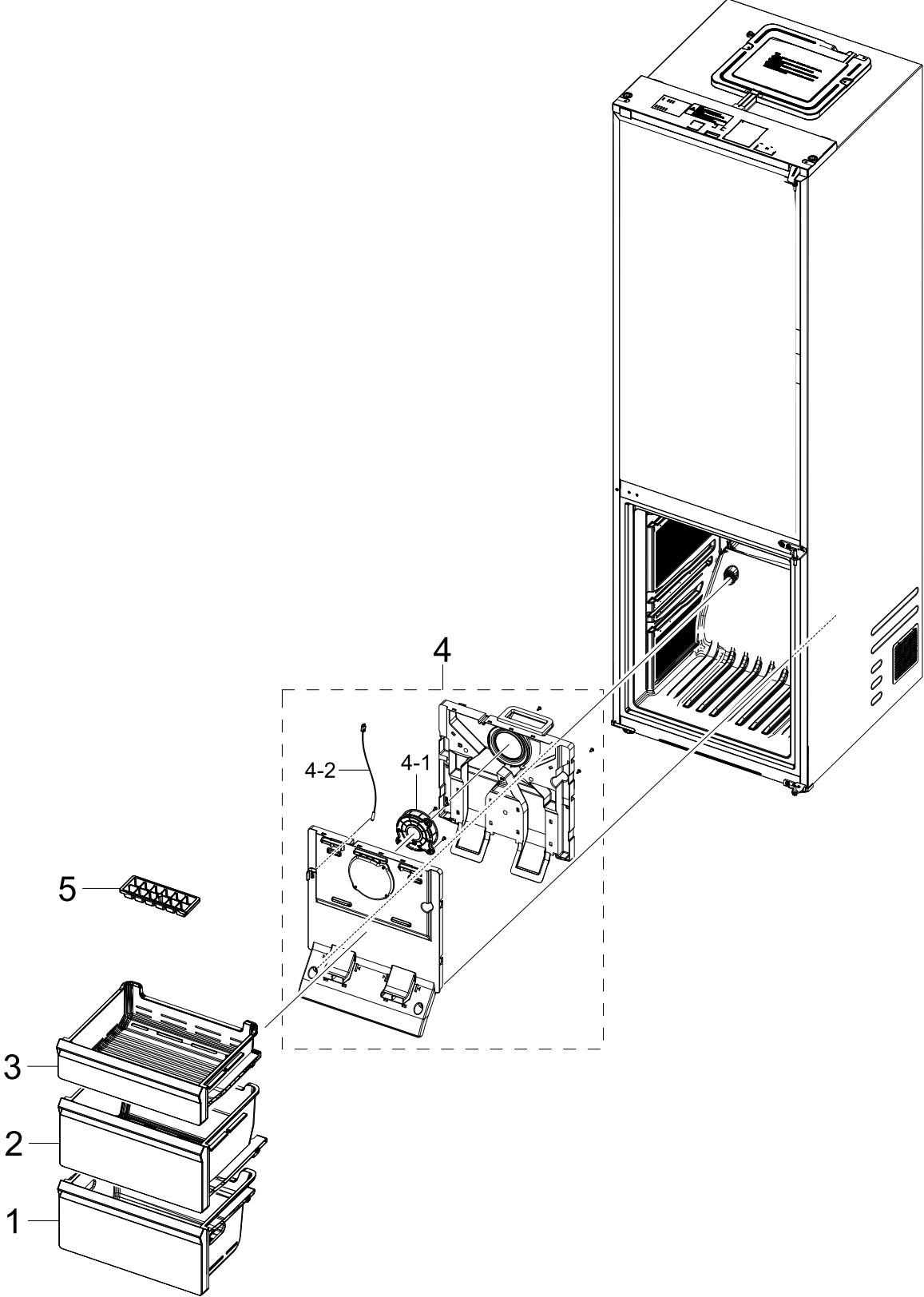


1. Freezer

Freezer

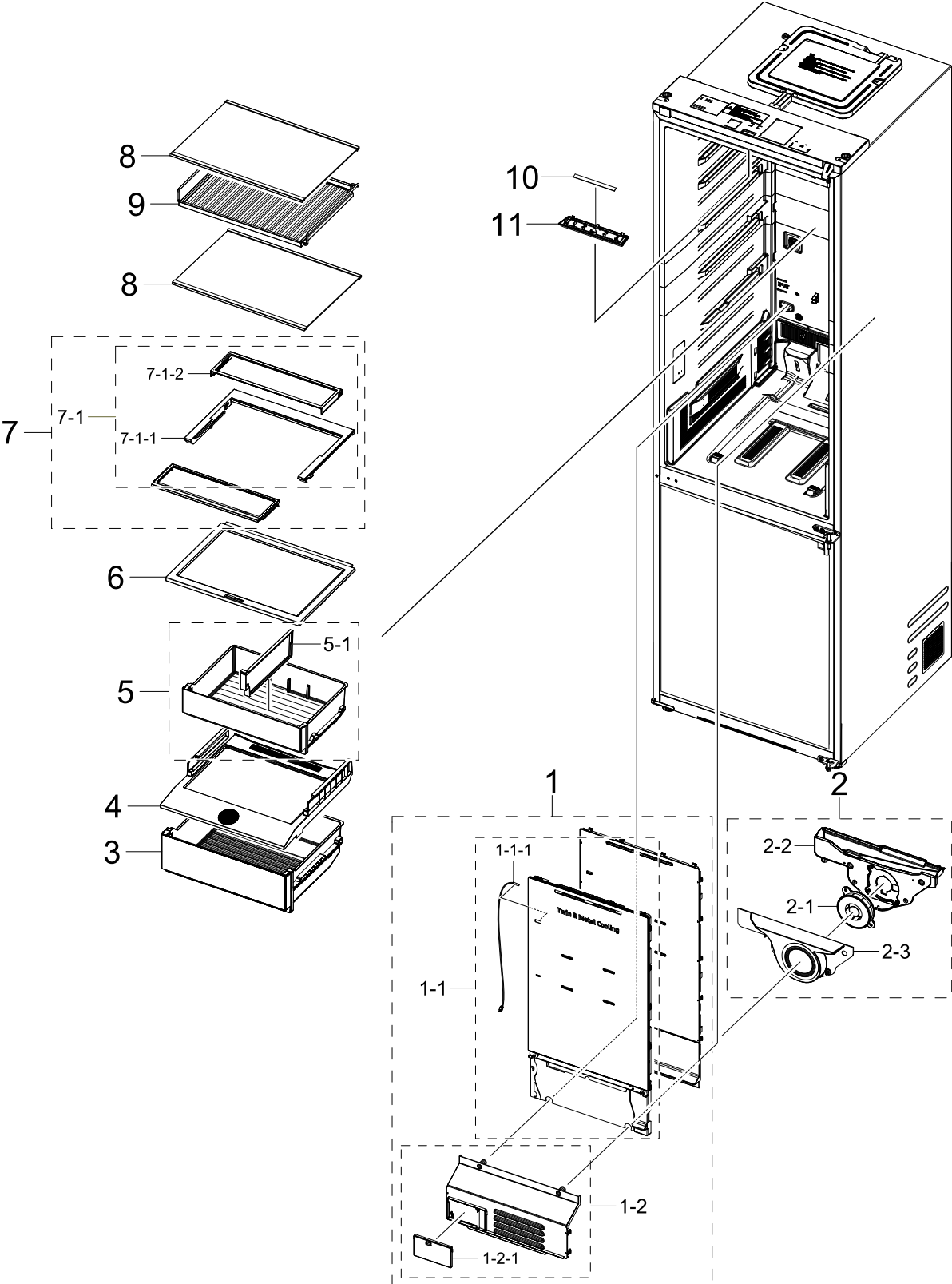
Exploded View



2. Fridge

Fridge

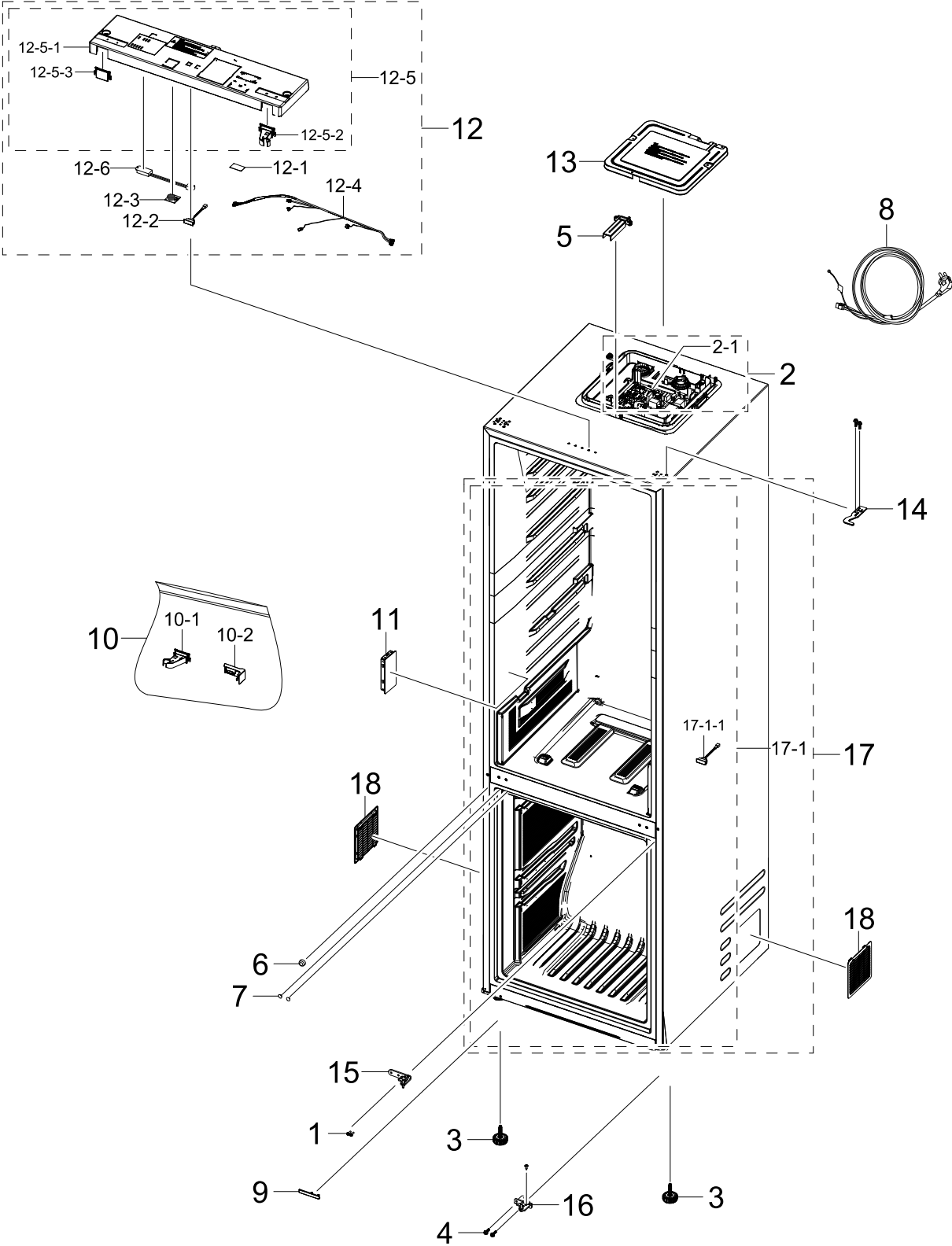
Exploded View



3. Cabinet

Cabinet

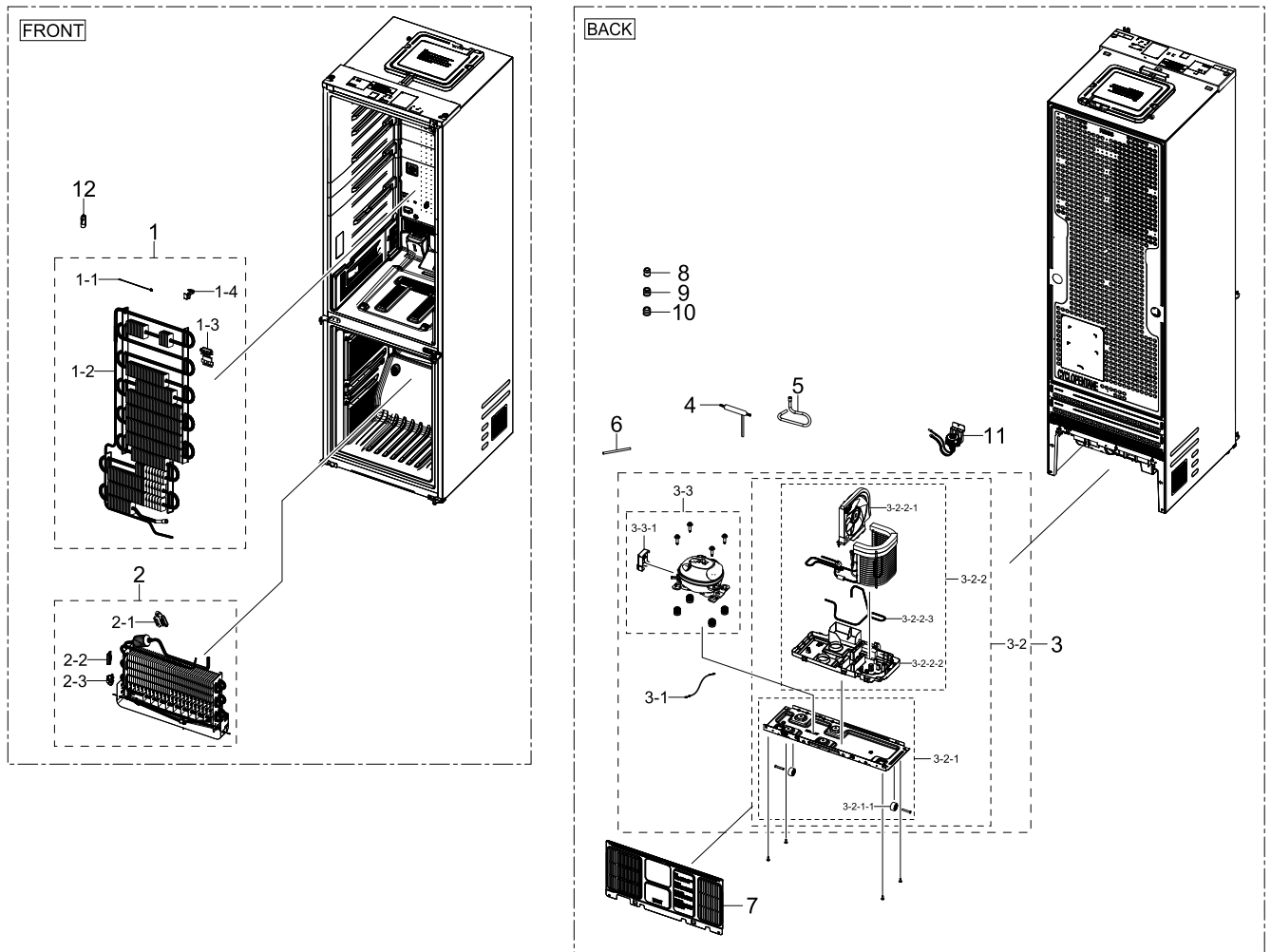
Exploded View



4. Cycle

Cycle

Exploded View



Parts List

No.	Lvl.	Loc.	Material Code	Description & Specification	SNA	Qty.
1	2	A0184	DA96-01475A	ASSY EVAP-REF; RB7300T TWIN,FIN TUBE,Heat	SA	1
1-1	3	A1018	DA32-10104W	SENSOR TEMP; DOUBLE_INSULATION, TPA,L200,	SA	1
1-2	3		DA59-00630A	EVAPORATOR-REF; Fin Tube,RB7300T TWIN,1,A	SNA	1
1-3	3	A0743	DA61-00453A	FIXER-SENSOR; A-TOP,EVAP,PP,-,NATURAL,-,B	SA	1
1-4	3		DA61-06013B	FIXER WIRE; AW3-PJT,PP,T2,NATURAL,-,BJ750	SA	1
2	2		DA96-01009G	ASSY EVAP-FRE EVAP MODULE; RB7300T TWIN,2	SA	1
2-1	3	M9010	DA61-03644A	PLATE-EVAP HEATER; AW-PJT,Al,T0.7	SA	1
2-2	3	G0205	DA61-04921B	FIXER-HEATER FRE; HERMES-PJT,PP,-,NATURAL	SA	1
2-3	3	A0744	DA61-07411A	FIXER-FUSE; NW2,PP,NATURAL,BJ750	SA	1

5. Door

Door

Exploded View

