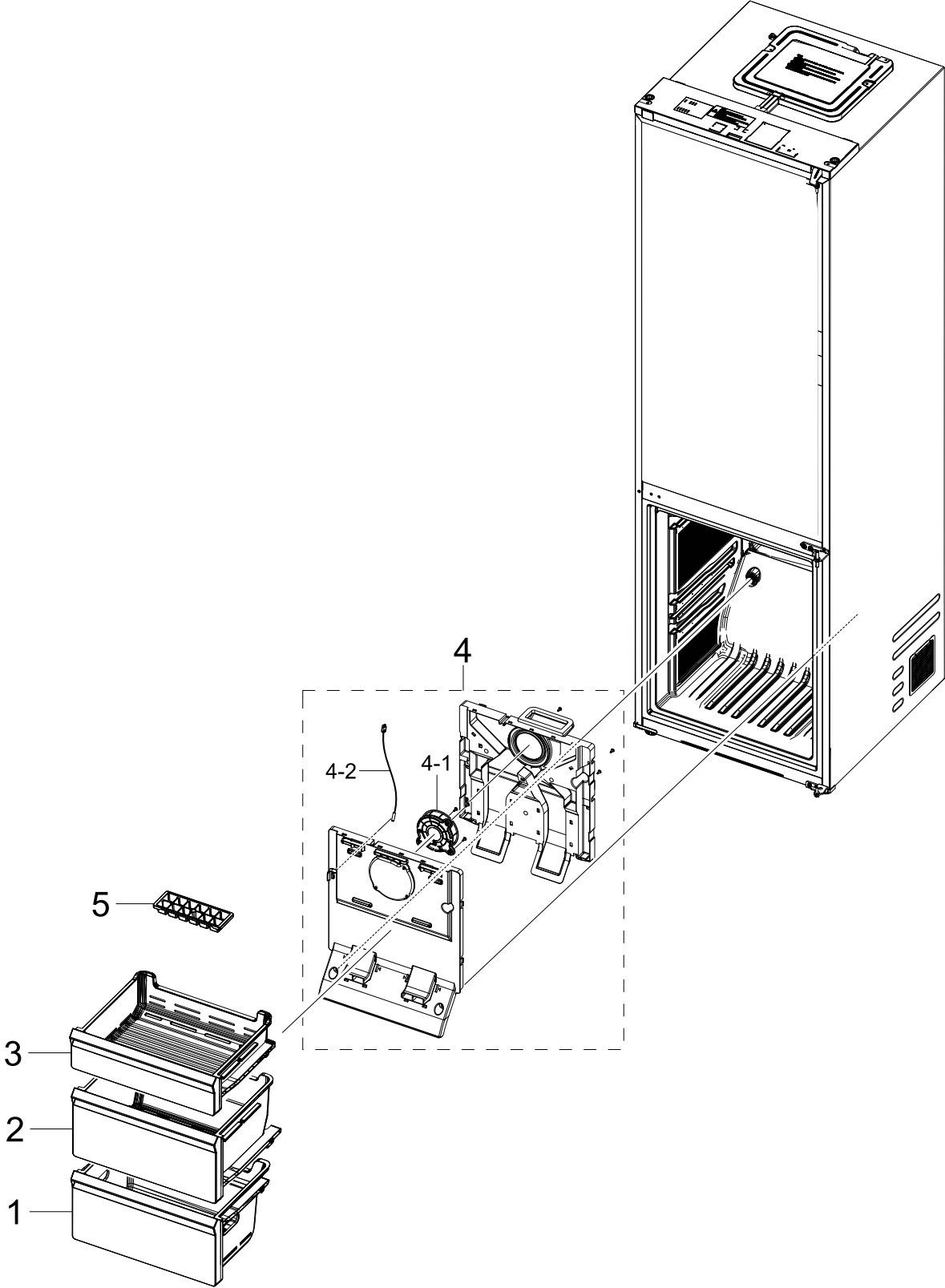


1. Freezer

Freezer

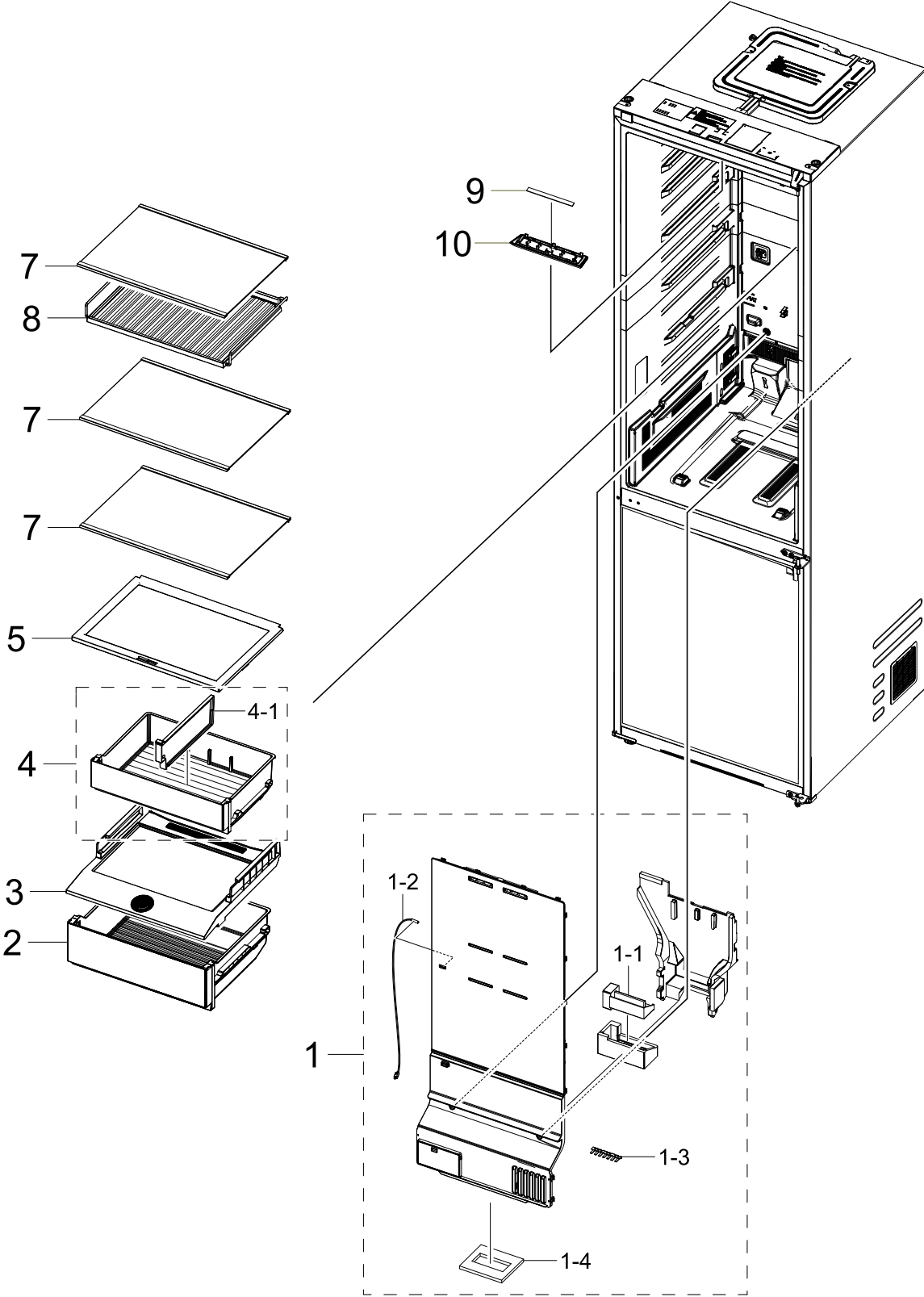
Exploded View



2. Fridge

Fridge

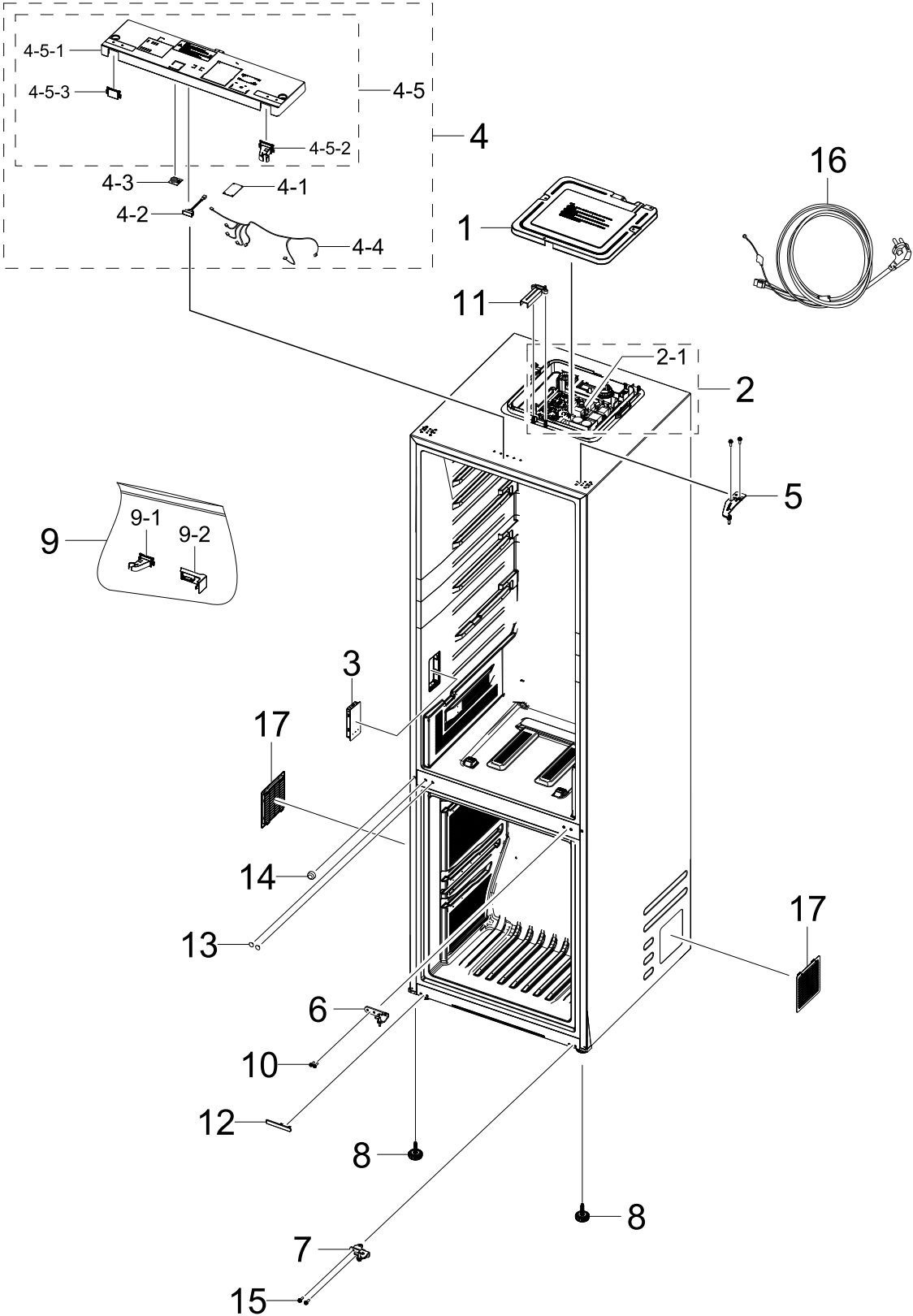
Exploded View



3. Cabinet

Cabinet

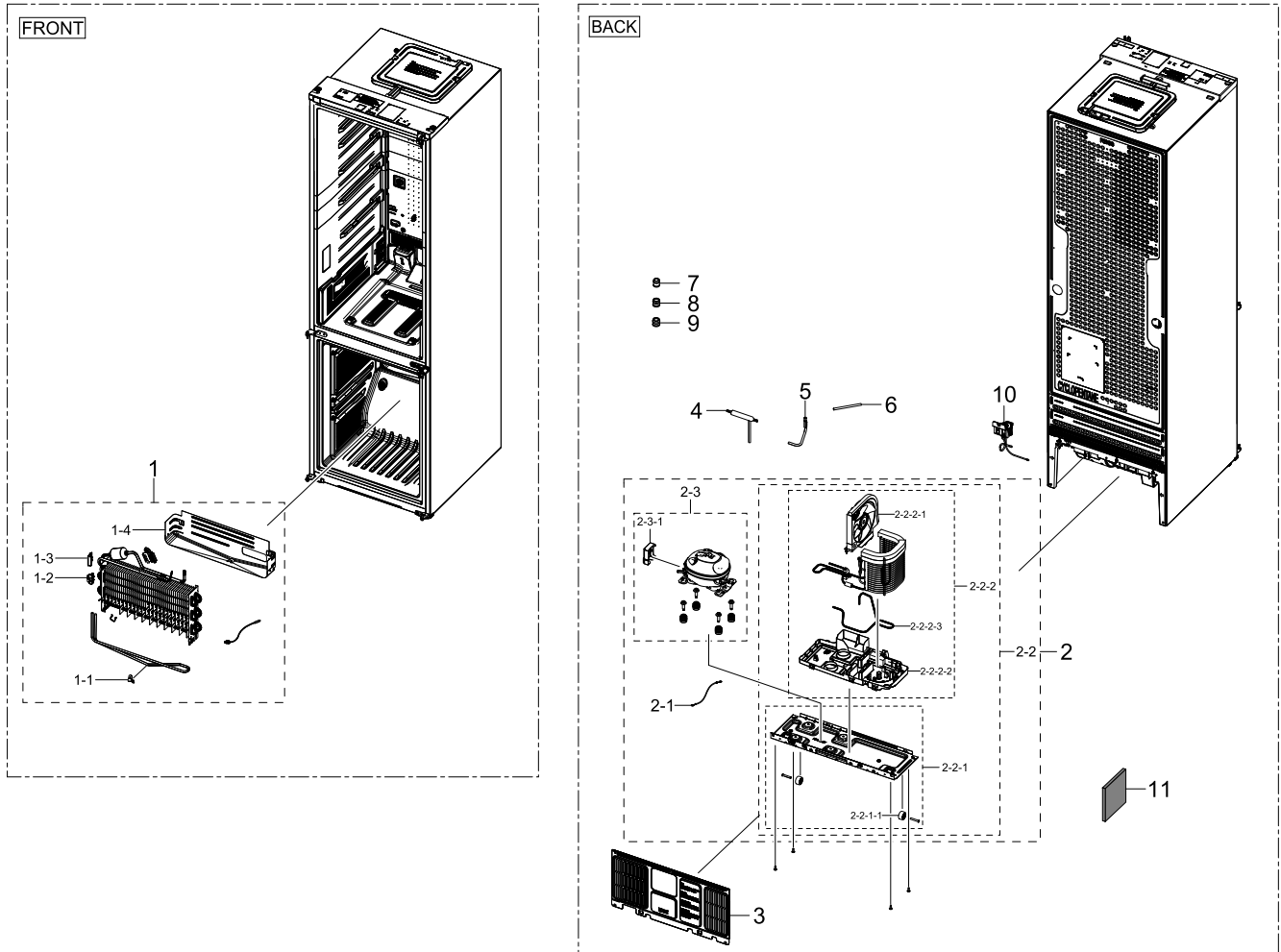
Exploded View



4. Cycle

Cycle

Exploded View



Parts List

No.	Lvl.	Loc.	Material Code	Description & Specification	SNA	Qty.
1	2	A0163	DA96-01009F	ASSY EVAP-FRE EVAP MODULE; RB7300, 3050,2	SA	1
1-1	3	M9010	DA61-03644A	PLATE-EVAP HEATER; AW-PJT,AI,T0.7	SA	1
1-2	3	G0205	DA61-04921B	FIXER-HEATER FRE; HERMES-PJT,PP,-,NATURAL	SA	1
1-3	3	A0744	DA61-07411A	FIXER-FUSE; NW2,PP,NATURAL,BJ750	SA	1
1-4	3	A0754	DA61-08936A	PLATE-DRAIN; 3050,GI-SGCC,T0.3,-,-,-,-	SA	1
2	2		DA97-21454A	ASSY COMP N CONDENSING-COND MODULE; RB730	SNA	1
2-1	3	A0562	DA39-20389A	ASSY WIRE HARNESS-EARTH; EARTH,ALL,FREE V	SA	1
2-2	3		DA97-21379A	ASSY CHASSIS; RB7300T,PFC B, C-FAN	SNA	1

5. Door

Door

Exploded View

