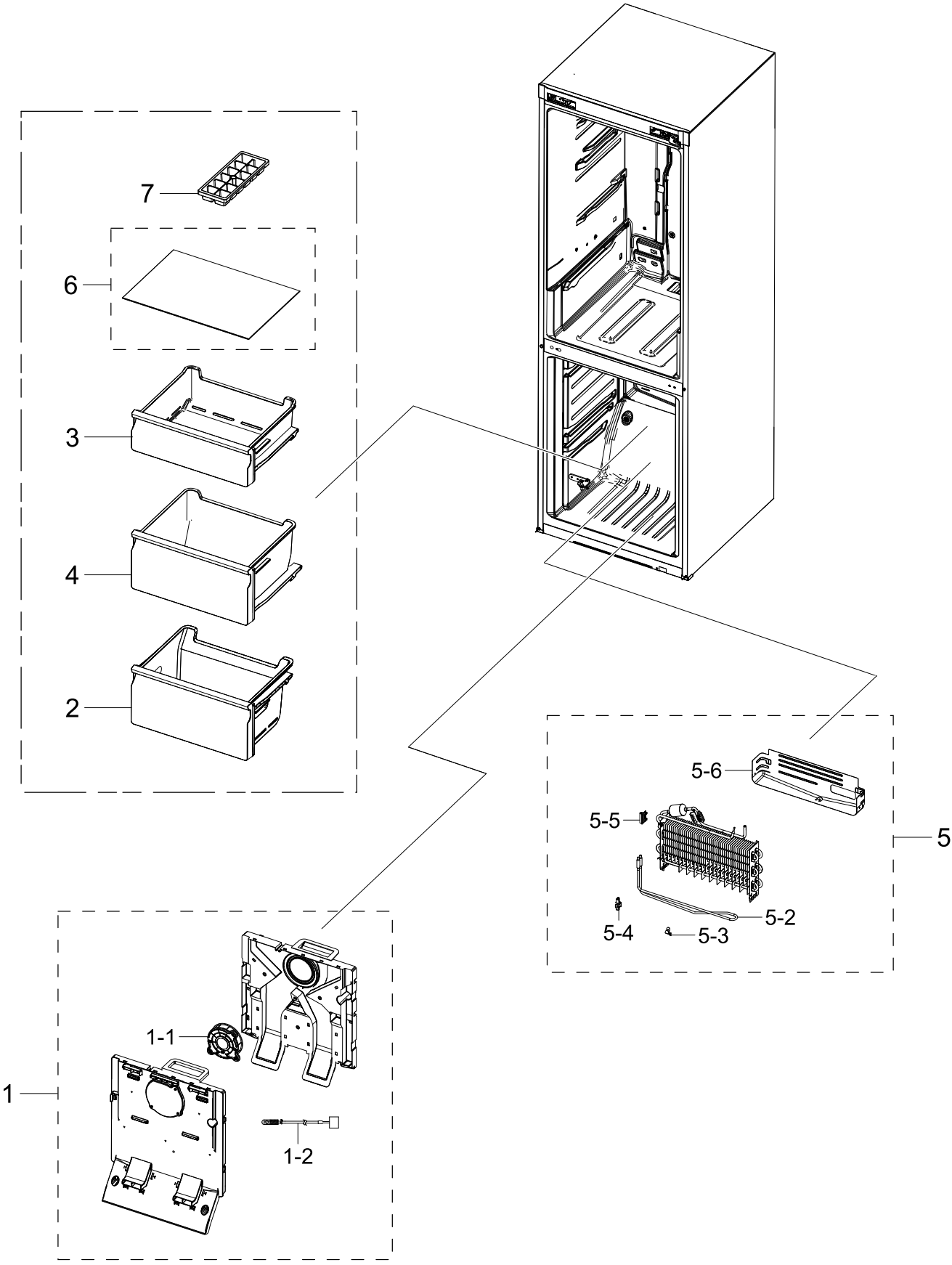


1. Freezer

Exploded View

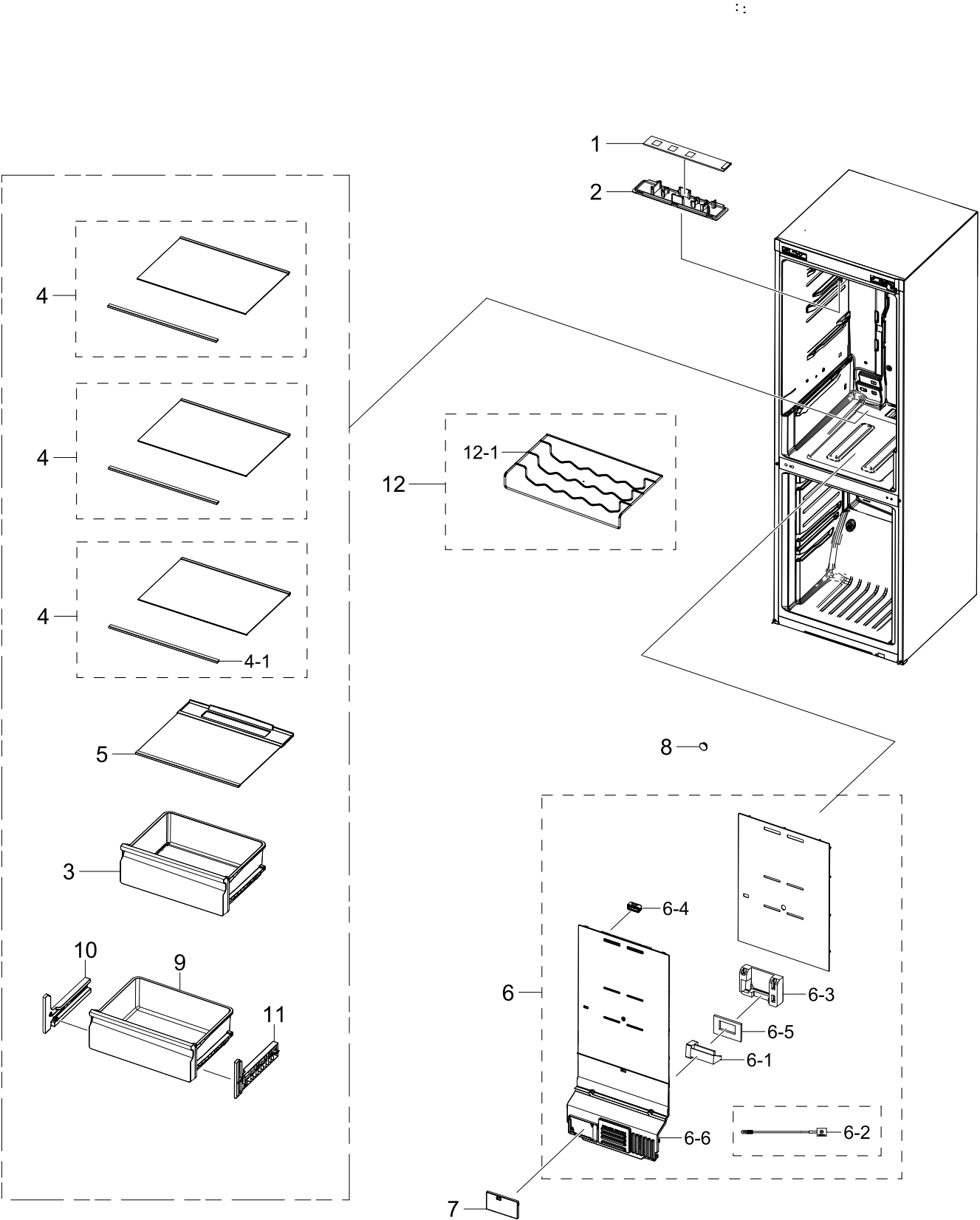


Parts List

No.	Lvl.	Loc.	Material Code	Description & Specification	SNA	Qty.
1	2	M0303	DA97-19096A	ASSY COVER EVAP-FRE; 3050-BMF,No SEAL	SA	1
1-1	3		DA31-00334C	MOTOR BLDC FAN;12035GE-12M-YT,1775±7%,12	SA	1
1-2	3	A1018	DA32-10105X	SENSOR TEMP; PX-41C,502AT,DKST1329GW,QUEE	SA	1
2	2	G0267	DA97-13475C	ASSY TRAY-FRE LOW; RB6000KC	SA	1
3	2	M0483	DA97-13480C	ASSY TRAY-FRE UP; RB6000KC	SA	1
4	2		DA97-13472D	ASSY TRAY-FRE MIDDLE; RB6000KC	SA	1
5	2	A0163	DA96-01009C	ASSY EVAP-FRE; 3050-BMF	SA	1
5-2	3		DA47-00507A	HEATER METAL SHEATH; AC230V,3050 BMF, 352	SNA	1
5-3	3	M9010	DA61-03644A	PLATE-EVAP HEATER; AW-PJT,Al,T0.7	SA	1
5-4	3	G0205	DA61-07410A	FIXER-HEATER FRE; NW2,PP,NATURAL,BJ750	SA	1
5-5	3	A0744	DA61-07411A	FIXER-FUSE; NW2,PP,NATURAL,BJ750	SA	1
5-6	3	A0754	DA61-08936A	PLATE-DRAIN; 3050,GI-SGCC,T0.3	SA	1
6	2		DA97-15985A	ASSY SHELF GLASS-FRE; RL31/29,NO TRIMS	SA	1
7	2	A0120	DA67-40146B	TRAY ICE; SR-1500,PP,HB,COOL WHITE	SA	1

2. Refrigerator

Exploded View

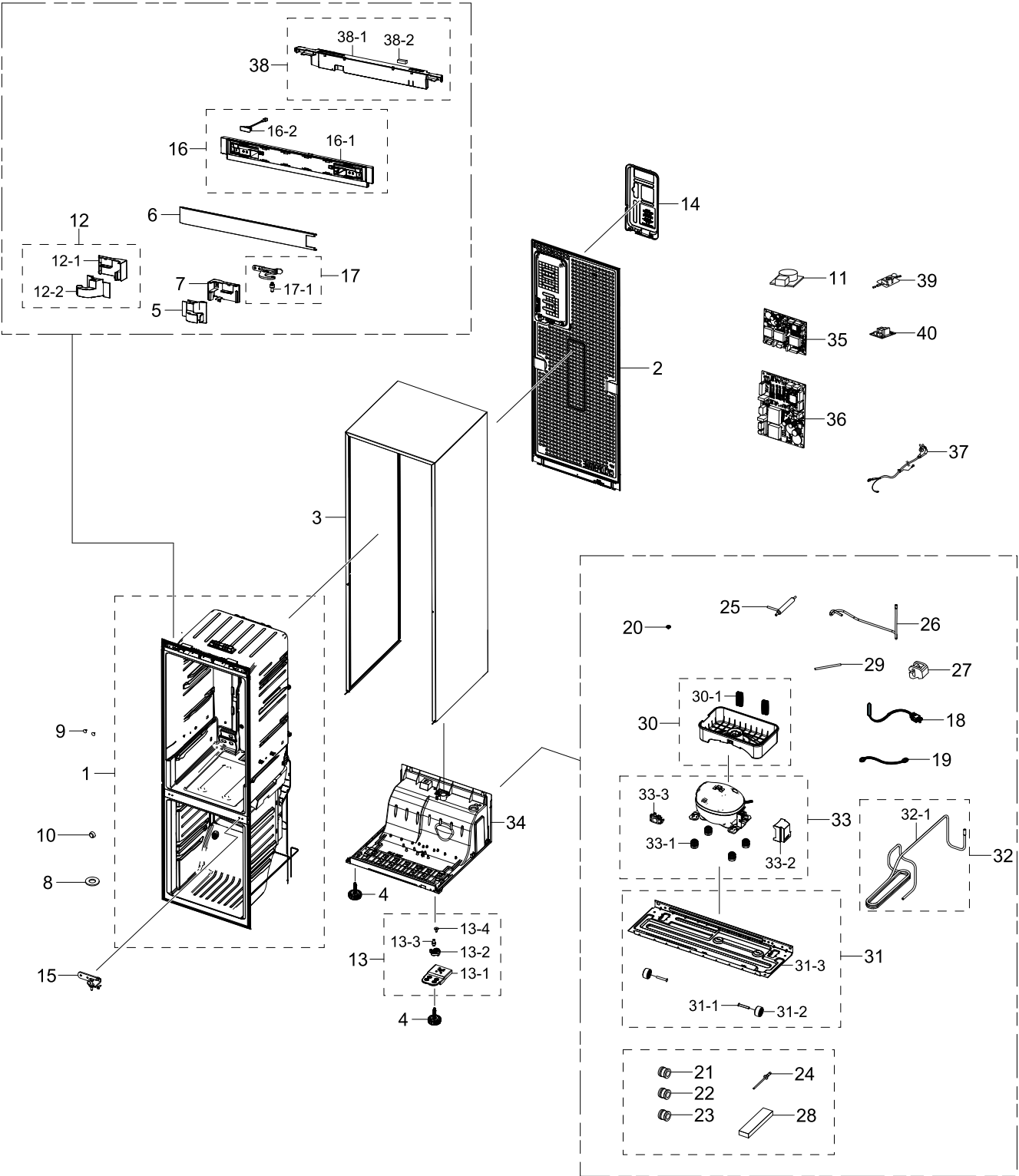


Parts List

No.	Lvl.	Loc.	Material Code	Description & Specification	SNA	Qty.
1	2	G0090	DA41-00519R	ASSY LAMP LED; 3ea,CEM-1,65*10*1.6T,WHITE	SA	1
2	2	A0280	DA63-08570A	COVER LAMP; 3050-BMF,GPPS,T2,TP BLUE	SA	1
3	2	M0300	DA97-13474B	ASSY CASE VEG-LOW; RB6000KC	SA	1
4	2		DA97-13502G	ASSY SHELF GLASS-REF; RL31/29 BEST,SILVER	SA	3
4-1	3		DA64-04407A	TRIM SHELF-FRONT; RT320,HIPS,HIPS+SOFT UR	SA	3
5	2		DA97-13550C	ASSY SHELF VEG; RB5000,SILVER TRIM	SA	1
6	2	G0239	DA97-15458C	ASSY COVER MULTI-REF; RB5000J,PLATE COOLI	SA	1
6-1	3	G0242	DA31-00043F	MOTOR GEARED DC DAMPER; NSBA001TF1,DC 12V	SA	1
6-2	3	A1018	DA32-00011E	SENSOR TEMP;PX-41C,TD-PJT,-40~110 °C,5V,-	SA	1
6-3	3		DA62-04502A	INSULATION DUCT-REF B; RB5000J,PS FOAM,WH	SNA	1
6-4	3		DA61-10600A	FIXER SENSOR; NBR,GRAY	SA	1
6-5	3		DA62-04151B	SEAL INS MULTI-REF LOW; 3050_BMF,PE OPEN	SA	1
6-6	3	A0208	DA63-08032A	COVER DAMPER-REF; RB5000J,PP,HB,COOL WHIT	SNA	1
7	2		DA63-06337A	COVER-CONV MULTI; GRAND CRU,PP,HB,COOL WH	SA	1
8	2	A0270	DA67-30266K	CAP SCREW; A-TOP,PP,T1.5,HB,BJ750,COOL WH	SA	1
9	2		DA97-13473E	ASSY CASE VEG-UP; RB6000KC,ASSY, CARIBBEA	SA	1
10	2	M0110	DA97-13599A	ASSY RAIL-VEG L; 3050_BMF	SA	1
11	2	M0111	DA97-13598A	ASSY RAIL-VEG R; 3050_BMF	SA	1
12	2		DA97-15743C	ASSY RACK WINE; 3050	SNA	1
12-1	3		DA75-00313B	RACK WINE; 3050-BMF,-,MSWR,6,503,304,natu	SC	1

3. Cabinet

Exploded View



Parts List

No.	Lvl.	Loc.	Material Code	Description & Specification	SNA	Qty.
1	2	A0137	DA94-02022H	ASSY LINER; RB6000KC,2010,A++	SNA	1
2	2		DA97-15445A	ASSY CABI FRAME-REAR; RB5000J,A+++	SNA	1
3	2	A0004	DA97-15447K	ASSY CABI FRAME; RB6000KC,2010,URBAN SILV	SNA	1
4	2	Z1128	DA61-07546B	LEG-FRONT; GRAND CRU,PP,BLACK,RM60,PP Scr	SA	2
5	2		DA63-08516A	COVER WIRE-HINGE RIGHT; RB6000KC,ABS,HB,I	SA	1
6	2		DA63-08514A	COVER FRAME-TOP FRONT; ABS,T2,HB,INOX GRA	SA	1
7	2		DA67-04283A	CAP SPACE-DOOR RIGHT; RB6000KC,ABS,HB,HG-	SA	1
8	2		DA66-00073C	WASHER-SHAFT, C; SR-32,35,PVC,T1.0	SA	1
9	2	A0297	DA67-02684A	CAP SCREW; GRAND CRU,ABS,T1,HB,HG-0760GP,	SA	2
10	2		DA67-03725A	CAP SCREW; 3050,PP,HB,INOX GRAY	SA	1
11	2		DA92-00817A	ASSY MODULE; BUZZER PBA,RB6000K	SA	1
12	2		DA91-04651A	ASSY INSTALL; RB6000K,INOX GRAY	SA	1
12-1	3		DA67-04282A	CAP SPACE-DOOR LEFT; RB6000KC,ABS,HB,HG-0	SA	1
12-2	3		DA63-08517A	COVER WIRE-HINGE LEFT; RB6000KC,ABS,HB,IN	SA	1
13	2	A0515	DA97-13557B	ASSY HINGE LOW; 3050(BMF)	SA	1
13-1	3	A0247	DA61-08990A	HINGE-LOW; 3050PJ,PO-SPHC,T3,LMF	SA	1
13-2	3	A0516	DA61-08991B	GUIDE-AUTO CLOSE; 3050PJ,PA66,HB,HG-0760G	SA	1
13-3	3	A0518	DA66-00385A	SHAFT-HINGE; CORE,SWRCH10A,L17,OD6,T6,ZPC	SA	1
13-4	3	A0848	DA81-01532A	SCREW-MACHINE; BH,+,M5,L12.7,ZPC(WHT),SWR	SA	1
14	2	M0306	DA97-13562A	ASSY COVER-PCB PANEL; 290, 310,GI,3050	SA	1
15	2	A0513	DA97-13564A	ASSY HINGE MID; 3050_BMF	SA	1
16	2	A0904	DA97-16961A	ASSY COVER CONTROL-FRONT; RB6000K,INOX GR	SA	1
16-1	3		DA63-08521A	COVER CONTROL-FRONT; RB6000K,ABS,T2.5,HB,	SNA	1
16-2	3	G0068	DA34-00043A	SWITCH REED; UL1007 AWG 22,100mm,DEM1-B50	SA	1
17	2		DA97-16900A	ASSY HINGE-UP; RB6000K,ZN-PLATING(ZPC3),P	SA	1
17-1	3	A0518	DA66-00385A	SHAFT-HINGE; CORE,SWRCH10A,L17,OD6,T6,ZPC	SA	1
18	2	A1018	DA32-10105F	SENSOR TEMP; 502AT,PX-41C,DKST1329GW,ACE,	SA	1

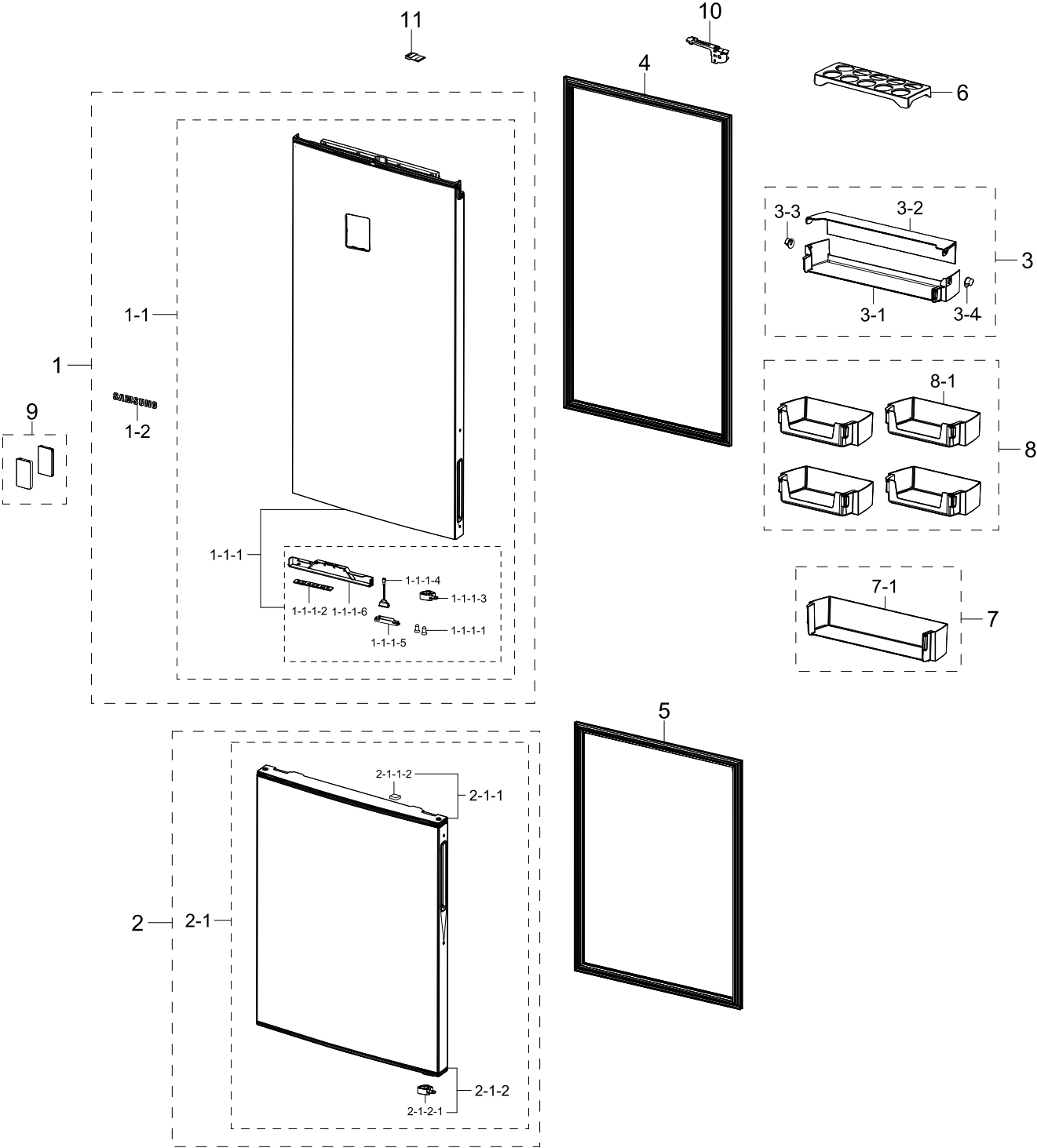
No.	Lvl.	Loc.	Material Code	Description & Specification	SNA	Qty.
19	2	A0562	DA39-20389A	ASSY WIRE HARNESS-EARTH; EARTH,ALL,,,,,FR	SA	1
20	2		DA60-00018A	SCREW MACHINE; TH,+,M4,L12,PASS,STS304,1	SA	1
21	2		DA60-00279A	FITTING-LOKRING 16; SUM23,16, 11SMnPb30K	SA	1
22	2		DA60-00280A	FITTING-LOKRING 33; SUM23,33, 11SMnPb30K	SA	1
23	2		DA60-00281A	FITTING LOKRING; SUM23,ID5.02,11SMnPb30K,	SA	1
24	2	A0328	DA60-90005A	FASTENER-RIVET; RR19,RR20,RR22,RR26,RT28,	SNA	1
25	2	A0669	DA62-04309C	DRYER; C1220T-H,L118,SINGLE MOUTH,For Cap	SA	1
26	2		DA62-05323A	PIPE CONNECT-SUCTION; 3050,Cu,OD6.35,T0.6	SA	1
27	2		DA63-08103A	GROMMET-PIPE; RB5000J,NBR,BLACK,3ROW	SA	1
28	2		DA72-60040W	SEAL-CUTT RUBBER; TD-PJT,RUBBER,BLACK,T5,	SA	1
29	2	A0523	DA73-10190U	PIPE-CONNECT DISC,B; ALL,Cu,C1220T,OD6.35	SA	1
30	2	A0749	DA97-13658A	ASSY TRAY-DRAIN WATER; 3050_LMF(RB29/31),	SA	1
30-1	3		DA63-08036B	GROMMET-LOW; PVC,GRAY	SA	2
31	2	A0526	DA97-14151A	ASSY CHASSIS COMP; 3050-PJT,GI-SGCC, T0.8	SA	1
31-1	3	A0861	DA60-90146A	PIN-CASTER; SR-289-429,MSWR10,L38,ZPC2	SA	2
31-2	3	A0527	DA61-06202A	CASTER-REAR; GRAND-CRU,PP,NATURAL	SA	2
31-3	3	A0526	DA97-13454A	ASSY CHASSIS COMP; 3050-PJT,T0.8,RB31	SC	1
32	2		DA97-15658A	ASSY PIPE IMMERSING; RB5000J,3ROW	SA	1
32-1	3		DA62-04554A	PIPE IMMERSING; RB5000J,TSW,3ROW, OD4.76,	SA	1
33	2		NC4MVA1ALP/TT1	CMP,COMP,REFRIGERATOR,R-600A; CMP,COMP,REFRIGERATOR,R-600A		1
33-1	3	Z1112	DA63-02617A	GROMMET COMP; USP05,EPDM,OD27.0,BLACK	SA	4
33-2	3	Z1032	DA63-06122A	COVER RELAY; MSV,MPPO,T2,BLACK,V-0	SA	1
33-3	3	A0575	DA34-00004D	RELAY PROTECTOR O/L; 4TM445PHBY82,BLDC,	SA	1
34	2		DA97-13563R	ASSY CABI-BOTTOM; 3050, 3050-2M,A+,A++,No	SNA	1
35	1		DA92-00228F	ASSY PCB INVERTER; INVERTER,ARAM,148*98.5	SA	1
36	1		DA94-03375A	ASSY PCB EEPROM; 0X25,D603, D606,RB6000K,	SA	1
37	2	A0273	3903-001015	POWER CORD-AT; H05VV-F 3x0.75mm2,BLK,EU3F	SA	1

Exploded Views and Parts List

No.	Lvl.	Loc.	Material Code	Description & Specification	SNA	Qty.
38	2		DA97-17131A	ASSY COVER WIRE DOOR; RB6000KC,INOX GRAY	SA	1
38-1	3		DA63-08511A	COVER WIRE-DOOR; RB6000KC,ABS,HB,INOX GRA	SNA	1
38-2	3	A0534	DA61-03769B	MAGNET; SVETA,FERRITE,1600Gauss	SA	1
39	2	M0489	DA27-00052A	COIL FILTER; 22mH,82*60,AC 3A,0.47uF / 0.	SA	1
40	2		DA92-00701A	ASSY PCB SUB; RELAY PBA,RB5000J, BK60,60.	SA	1

4. Door

Exploded View



Parts List

No.	Lvl.	Loc.	Material Code	Description & Specification	SNA	Qty.
1	2	Z1100	DA91-04900M	ASSY DOOR FOAM-REF; RB6000KC,2010,,SS M-D	SA	1
1-1	3		DA97-16980A	ASSY PLATE DOOR-REF; RB6000KC,RB37,INOX2,	SNA	1
1-1-1	4	A0048	DA97-16978A	ASSY CAP DOOR-REF LOW; RB6000KC,INOX GRAY	SNA	1
1-1-1-1	5	G0412	6002-001547	SCREW-TAPPING; FH,+,NO,1,M4,L10,ZPC(WHT),	SA	2
1-1-1-2	5		DA96-00392F	ASSY LAMP LED; 4ea,CEM-1,83*10,ICEBLUE,SM	SA	1
1-1-1-3	5		DA66-01011B	LEVER-AUTO CLOSE; 3050PJ,POM,EBONY BLACK,	SA	1
1-1-1-4	5		DA34-00043J	SWITCH REED; UL1007 AWG 22,50mm	SA	1
1-1-1-5	5	G0271	DA67-02385L	CAP-REED SWITCH; SVETA-PJT,PP,NOBLE GRAY	SA	1
1-1-1-6	5		DA63-08565A	COVER LAMP-REF LOW; RB6000K,PMMA,HB,WHITE	SA	1
1-2	3	M0196	DA64-04020C	MASCOT; ALL,Ni,T0.06,L80	SA	1
2	2	M0063	DA91-03682J	ASSY DOOR FOAM-FRE; RB6000KC,2010,,SS M-D	SA	1
2-1	3		DA97-16977A	ASSY PLATE DOOR-FRE; RB6000KC,INOX2,RECES	SNA	1
2-1-1	4		DA97-16975A	ASSY CAP DOOR-FRE UP; RB6000KC,INOX GRAY	SNA	1
2-1-1-2	5	A0534	DA61-03769B	MAGNET; SVETA,FERRITE,1600Gauss	SA	1
2-1-2	4	A0047	DA97-16974C	ASSY CAP DOOR-FRE LOW; RB6000KC,Black	SNA	1
2-1-2-1	5		DA66-01011B	LEVER-AUTO CLOSE; 3050PJ,POM,EBONY BLACK,	SA	1
3	2	A0636	DA97-15734D	ASSY GUARD DAIRY; RB6000,CARIBBEAN BLUE,HO	SA	1
3-1	3	A0155	DA63-07404B	GUARD-DAIRY; RB6000,GPPS,T2.5,CARIBBEAN B	SNA	1
3-2	4		DA63-08119C	COVER DAIRY; RB6000,GPPS,T2.5,CARIBBEAN B	SNA	1
3-3	3		DA67-02920A	CAP-HINGE DAIRY R; HERMES,POM,K300,NATURA	SA	1
3-4	3		DA67-02921A	CAP-HINGE DAIRY L; HERMES,POM,K300,NATURA	SA	1
4	2		DA97-19053R	ASSY GASKET-REF; 3050,GRAY,NORMAL,L1103 W	SA	1
5	2		DA97-19053G	ASSY GASKET-FRE; 3050,GRAY,NORMAL,W539.5,	SA	1
6	2	A0656	DA63-06221B	TRAY EGG; RB6000,GPPS,T2.5,CARIBBEAN BLUE	SA	1

No.	Lvl.	Loc.	Material Code	Description & Specification	SNA	Qty.
7	2	A0167	DA97-15730B	ASSY GUARD BOTTLE; RB6000,CARIBBEAN BLUE,H	SA	1
7-1	3	A0151	DA63-08118C	GUARD BOTTLE; RB6000,GPPS,T2.5,CARIBBEAN	SA	1
8	2		DA97-15728C	ASSY GUARD VARIETY; RB6000,CARIBBEAN BLUE,	SA	4
8-1	3	A0153	DA63-08117C	GUARD VARIETY; RB6000,GPPS,T2.5,CARIBBEAN	SA	4
9	2	A0626	DA97-16858B	ASSY COVER CONTROL; RB6000K,HOT STAMPING,	SA	1
10	2		DA63-08592A	COVER-USB; RB7500,ABS,HB,INOX GRAY	SA	1
11	2		DB92-03769A	ASSY MODULE; ASSY GENDER,ASSY GENDER, CEM	SA	1