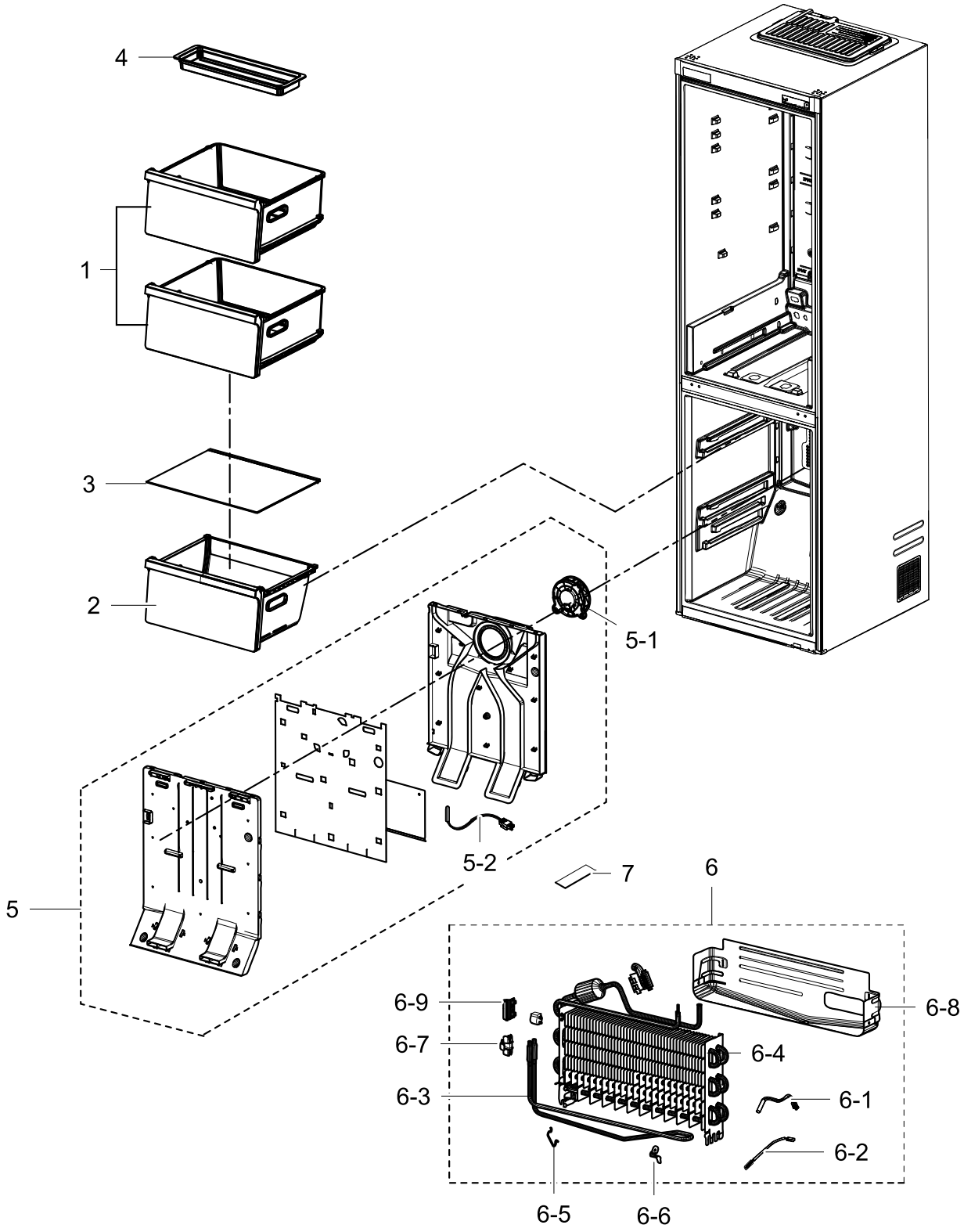


# 1. Freezer

## Exploded View

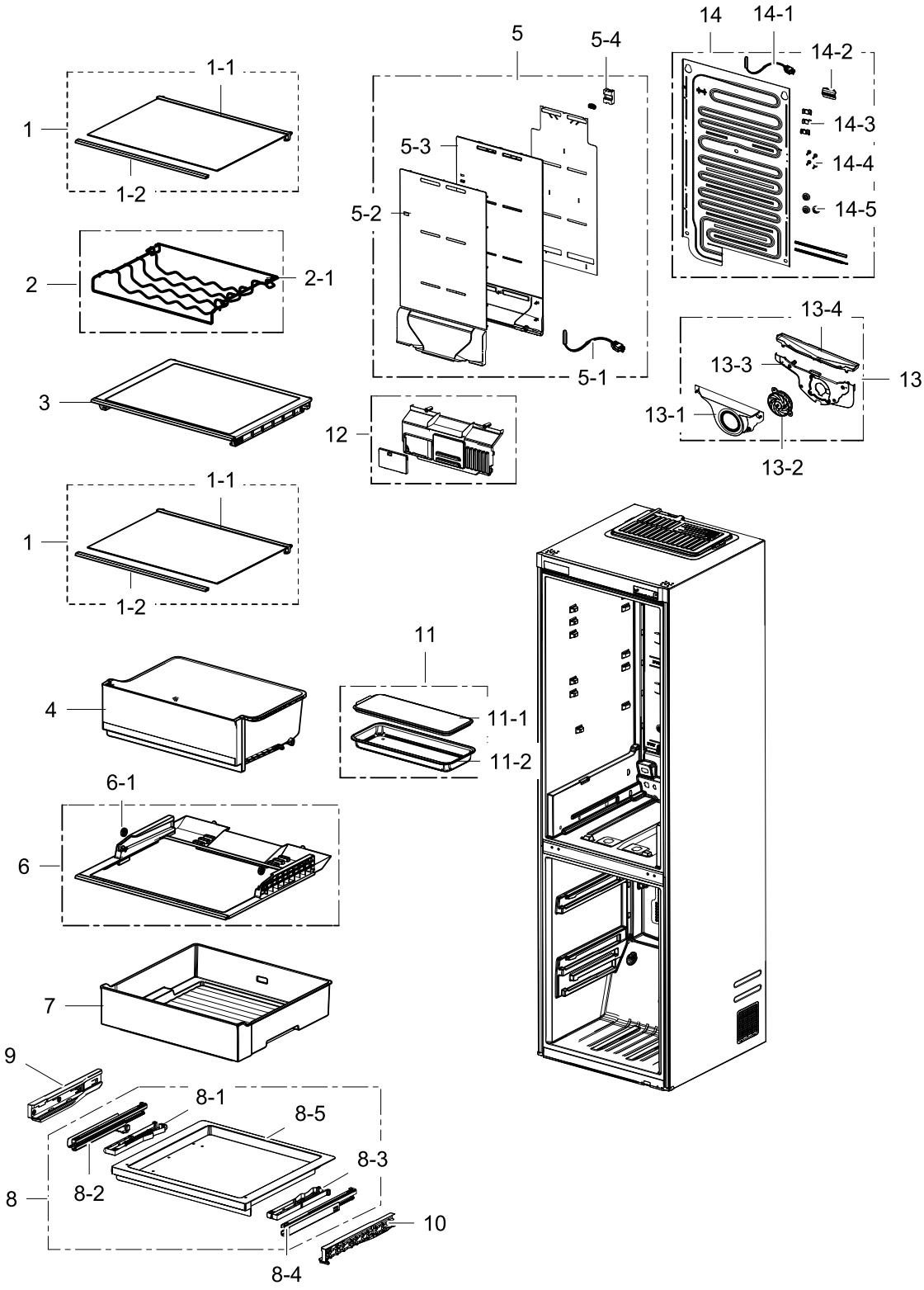


## Parts List

No.	Lvl.	Loc.	Material Code	Description & Specification	SNA	Qty.
1	2		DA97-15513A	ASSY CASE BASKET-FRE UP; RB8000J,ASSY, HO	SA	2
2	2		DA97-15511A	ASSY CASE BASKET-FRE LOW; RB8000J,ASSY, H	SA	1
3	2	M0351	DA97-15541B	ASSY SHELF-FRE; BK8000,ASSY	SA	1
4	2		DA63-08120A	TRAY ICE-CUBE; RB7000J,GPPS,T2.5,HB,TP BL	SA	1
5	2	M0303	DA97-15501A	ASSY COVER EVAP-FRE; RB7000J,A++,A+++	SA	1
5-1	3		DA31-00334A	MOTOR BLDC FAN; 12035GE-12M-YT-F1,1775 7	SA	1
5-2	3	A1018	DA32-00033E	SENSOR TEMP; 502AT,DKST1329GW,MAX4,-40~11	SA	1
6	2	A0163	DA96-01117A	ASSY EVAP-FRE; RB7000J,230V,150W	SA	1
6-1	3	A1018	DA32-00006D	SENSOR TEMP; PX-41C,502AT,DKST1329GW,EXPO	SNA	1
6-2	3	A1008	DA47-00301D	THERMO FUSE-ASSY; AC250V,10A,109~110S	SA	1
6-3	3		DA47-00474A	HEATER METAL SHEATH; AC230V,GANDCRU FRE,	SNA	1
6-4	3		DA59-00573A	EVAPORATOR-FRE; Fin Tube,RB7000J,2,A1070,	SNA	1
6-5	3		DA61-02526A	FIXER-EVAP FRE,SUB; NEXT,AL,2.0,-,-	SNA	1
6-6	3	M9010	DA61-03644A	PLATE-EVAP HEATER; AW-PJT,AL,T0.7,-,-,-,-	SA	1
6-7	3	G0205	DA61-07410A	FIXER-HEATER FRE; NW2,PP,WHITE,V0	SA	2
6-8	3	A0754	DA61-08936A	PLATE-DRAIN; 3050,GI-SGCC,-,T0.3	SA	1
6-9	3	A0744	DA61-07411A	FIXER-FUSE; NW2,PP,NATURAL,BJ730	SA	1
7	2		DA72-60040W	SEAL-CUTT RUBBER; TD-PJT,POLYBUTILENE,T5,	SA	3

# 2. Refrigerator

## Exploded View



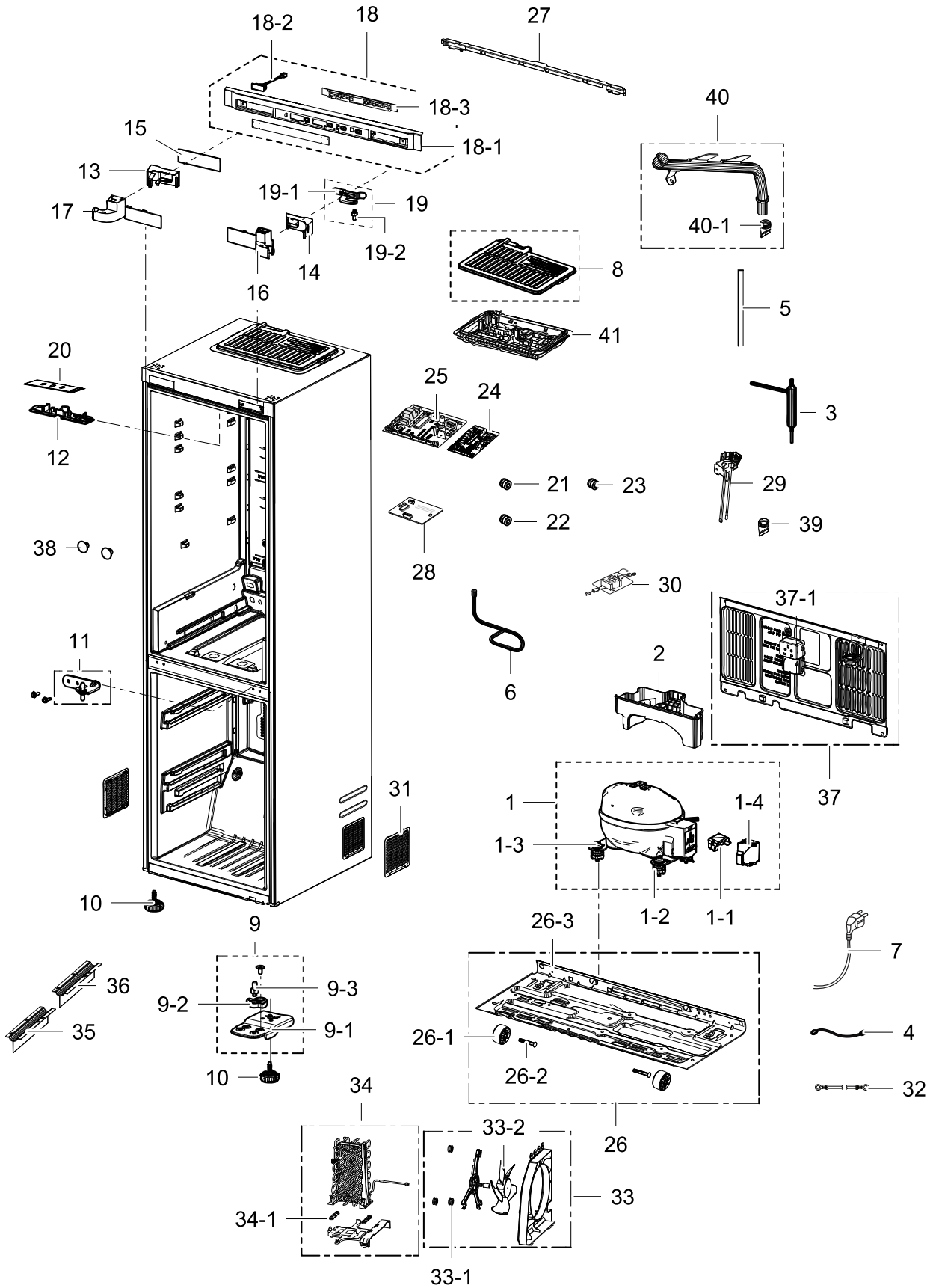
**Parts List**

No.	Lvl.	Loc.	Material Code	Description & Specification	SNA	Qty.
1	2	A0186	DA97-15540C	ASSY SHELF-REF; BK8000(BEST),ASSY	SA	2
1-1	3	Z1107	DA67-03995A	SHELF-REF; BK8000,PP,COOL WHITE	SNA	2
1-2	3		DA64-04407P	TRIM SHELF-FRONT; TRIM SHELF FRONT(REF),A	SNA	1
2	2		DA97-15743B	ASSY RACK WINE; RB8000J,ASSY	SNA	1
2-1	3		DA75-00350A	RACK WINE; BK8000,MSWR70,-,Ni-Cr Plating	SA	1
3	2		DA97-15544B	ASSY SHELF DELI BIN; BK8000,ASSY	SA	1
4	2		DA97-15517A	ASSY CASE VEG-UP; RB8000J,ASSY, HOT STAMP	SA	1
5	2	Z1177	DA97-15505A	ASSY COVER EVAP-REF; RB7000J,A+++ / 2010	SA	1
5-1	3	A1018	DA32-00011W	SENSOR TEMP; PX-41C,MT-PJT,-40~1105V,	SA	1
5-2	3		DA61-10531A	PLATE COOLING-REF; RB7000J,AL,T0.5,-,A5	SNA	1
5-3	3		DA63-08066A	COVER EVAP-REF; RB7000J,PP,T2.0,HB,COOL W	SNA	1
5-4	3		DA62-04553A	INSULATION DUCT-SUB; EPS,WHITE	SNA	1
6	2		DA97-15542C	ASSY SHELF COVER VEG; BK8000,ASSY	SA	1
6-1	3		DA66-10104A	ROLLER-FRE; POM,-,D22,-,,-,	SC	2
7	2	M0300	DA97-15524A	ASSY CASE VEG-LOW; RB8000J,ASSY, PRINT	SA	1
8	2		DA97-15528A	ASSY TRAY VEG; RB8000J,ASSY, TAKE OUT TRA	SNA	1
8-1	3		DA97-15530A	ASSY RAIL SELF CLOSE-LEFT; RB(7000,8000),	SA	1
8-2	3		DA97-15532A	ASSY RAIL-LEFT; RB(7000,8000),ASSY, UNDER	SA	1
8-3	3		DA97-15531A	ASSY RAIL SELF CLOSE-RIGHT; RB(7000,8000)	SA	1
8-4	3		DA97-15533A	ASSY RAIL-RIGHT; RB(7000,8000),ASSY, UNDE	SA	1
8-5	3	A0013	DA97-15526A	ASSY TRAY-LOW; RB8000J,ASSY, HOT STAMPING	SA	1
9	2		DA61-10434A	RAIL-REF LOW LEFT; RB(7000,8000),ABS,COOL	SA	1
10	2		DA61-10435A	RAIL-REF LOW RIGHT; RB(7000,8000),ABS,COO	SA	1
11	2		DA97-15564A	ASSY CASE SUB; RB7000J,ASSY	SNA	1
11-1	3		DA63-08048A	COVER TRAY; BK,GPPS,HB,TP BLUE,147F	SA	1
11-2	3		DA61-10426A	PLATE CASE; BK,STS304,T0.5,STS304J1	SA	1
12	2	A0678	DA97-15509B	ASSY COVER DAMPER-REF; RB7000J	SA	1
13	2		DA97-15460B	ASSY CASE MOTOR-REF; RB7000J	SA	1
13-1	3		DA61-10409A	CASE MOTOR-REF; RB5000J,HIPS,NATURAL,S834	SA	1
13-2	3		DA31-00334A	MOTOR BLDC FAN; 12035GE-12M-YT-F1,1775 7	SA	1

No.	Lvl.	Loc.	Material Code	Description & Specification	SNA	Qty.
13-3	3		DA61-10405A	BRACKET MOTOR-REF A; RB5000J,HIPS,NATURAL	SA	1
13-4	3		DA61-10411A	PLATE DRAIN-REF; HIPS,NATURAL,HB,S834S1	SA	1
14	2	A0184	DA96-01112A	ASSY EVAP-REF; RB5000J,ROLL BOND	SA	1
14-1	3	A1018	DA32-00011X	SENSOR TEMP; PX-41C,502AT,DKST1329,MT-PJT	SA	1
14-2	3		DA61-10518A	FIXER SENSOR; RB5000J,PP,NATURAL,BJ750,-	SA	1
14-3	3		DA61-10519A	FIXER WIRE; RB5000J,PP,NATURAL,BJ750,-	SA	3
14-4	3	M2002	DA63-40167A	GROMMET-COVER CHIL; SI,L16,WHITE	SA	4
14-5	3	M0181	DA63-01563A	GROMMET-SUB COND; BBC-PJT,NBR,-	SA	3

# 3. cabinet

## Exploded View



## Parts List

No.	Lvl.	Loc.	Material Code	Description & Specification	SNA	Qty.
1	2		NC4MVA1ALP/TT1	COMPRESSOR,115/220V; COMPRESSOR,115/220V		1
1-1	3	A0575	DA34-00004D	RELAY PROTECTOR O/L; 4TM445PHBYY-82, 125	SA	1
1-2	3	Z1112	DA63-02617A	GROMMET COMP; USP05,EPDM,OD27.0,BLACK	SA	4
1-3	3	A0564	DA60-20008A	BOLT-HEX; SWRCH10A,M6,L42.6(28.1),-,ZPC(S	SA	4
1-4	3	Z1032	DA63-06122A	COVER RELAY; MSV,MPPO,T2.0,5V-A,BLACK,M-H	SA	1
2	2	A0529	DA97-15474A	ASSY TRAY DRAIN WATER; RB5000J,STEP VALVE	SA	1
3	2	A0669	DA62-04309A	DRYER; ALL,C1220T,9	SA	1
4	2	A0562	DA39-20389A	ASSY WIRE HARNESS-EARTH; ALL,FREE VOLT,UL	SA	1
5	2	M0203	DA62-02982C	PIPE-CONNECT DISC A; C1220T-1/2H,OD6.35,L	SA	1
6	2		DA62-04537A	PIPE SUCTION-CONNECT; RB7000J,CU,-,C1220T	SA	1
7	2	A0273	3903-000797	CBF-POWER CORD; AT,E.U,EU3F,3C,250V,16A,B	SA	1
8	2		DA97-15723A	ASSY COVER PBA; BK-PJT	SA	1
9	2	M0344	DA97-15861A	ASSY HINGE-LOW; BK 60,BLACK	SA	1
9-1	3	A0247	DA61-10472A	HINGE-LOW; BK65,60,PO-SPHC,T4.0,-	SNA	1
9-2	3		DA61-10604A	GUIDE-FRE; BK60,POM,HB,K300,BLACK	SNA	1
9-3	3	A0518	DA66-00385A	SHAFT-HINGE; CORE,SWCH10A,-,OD6,-,ZPC3(	SA	1
10	2	Z1128	DA61-07546B	LEG-FRONT; GRAND CRU-PJT,PP,BLACK,SCRAP,B	SA	2
11	2		DA97-15817A	ASSY HINGE-MIDDLE; BK 60	SA	1
12	2	A0280	DA63-08072A	COVER LAMP; ABS+PMMA,HB,COOL WHITE,HG-076	SA	1
13	2		DA67-04019A	CAP SPACE-DOOR LEFT; BK-PJT,ABS,-,HB,HG-0	SA	1
14	2		DA67-04020A	CAP SPACE-DOOR RIGHT; BK-PJT,ABS,-,HB,HG-	SA	1
15	2		DA61-08932A	CAP CONTROL-PANEL; 3050,ABS,HB,HG-0760GP,	SA	1
16	2		DA63-08058A	COVER WIRE-HINGE RIGHT; BK-PJT,ABS,HB,INO	SA	1
17	2		DA63-08060A	COVER WIRE-HINGE LEFT; BK-PJT,ABS,HB,INOX	SA	1
18	2	A0904	DA97-15431A	ASSY COVER CONTROL-FRONT; BK,Internal	SA	1

## Exploded Views and Parts List

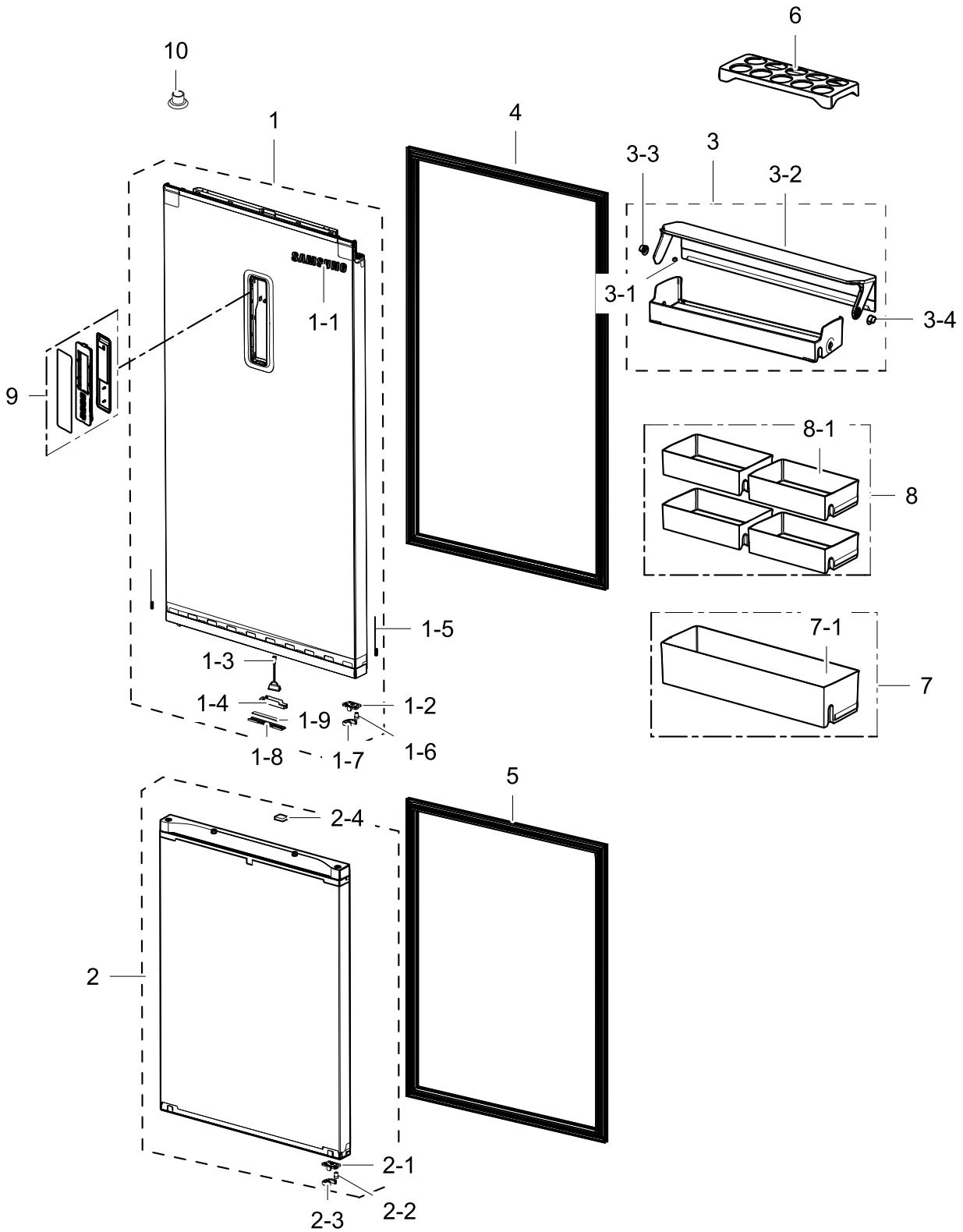
No.	Lvl.	Loc.	Material Code	Description & Specification	SNA	Qty.
18-1	3		DA63-08052A	COVER CONTROL-FRONT; BK,ABS,T2.0,HB,INOX	SA	1
18-2	3	G0068	DA34-00043A	SWITCH REED; UL1007 AWG 22,100mm,DEM1-B50	SA	1
18-3	3		DA92-00704A	ASSY MODULE; 7-SEG, MATRIX,RB7000,WHITE L	SA	1
19	2		DA97-15464A	ASSY HINGE-UP; BK-PJT	SA	1
19-1	3		DA97-15465A	ASSY HINGE-SUB; BK-PJT,Electrostatic pain	SNA	1
19-2	3	A0518	DA66-00385A	SHAFT-HINGE; CORE,SWCH10A,-,OD6,-,-,ZPC3(	SA	1
20	2		DA96-01119A	ASSY LAMP LED; 3EA,FR-4,150*12,WHITE,SMAW	SA	1
21	2		DA60-00279A	FITTING-LOKRING 16; GRAND/SAM/HERMES,11SM	SA	1
22	2		DA60-00280A	FITTING-LOKRING 33; GRAND/SAM/HERMES,11SM	SA	1
23	2		DA60-00281A	FITTING-LOKRING 43; GRAND/SAM/HERMES,11SM	SA	3
24	1	M0309	DA92-00228E	ASSY PCB INVERTER; INVERTER,ARAM,148x98.5	SA	1
25	1	A0952	DA92-00700B	ASSY PCB MAIN; TWIN COOLING, A+++ ,RB7000,	SA	1
26	2	A0526	DA97-15476A	ASSY CHASSIS COMP; BK(7000,8000),C-FAN,CO	SA	1
26-1	3	A0527	DA61-06202A	CASTER-REAR; GRAND-CRU,PP,NATURAL	SA	2
26-2	3		DA60-90146A	PIN-CASTER; SR-289-429,MSWR10,OD6.0,L38,Z	SA	2
26-3	3		DA97-15648A	ASSY CHASSIS SUB COMP; BK(7000,8000),SUB	SNA	1
27	2		DA63-08057A	COVER WIRE-DOOR; BK-PJT,ABS,HB,INOX GRAY,	SA	1
28	2		DA92-00701A	ASSY PCB SUB; RELAY PBA,RB5000J, BK60,60.	SA	1
29	2		DA97-08630B	VALVE STEP; DC12V,MODULE,80mm,2WAY,RIGHT	SA	1
30	2	M0489	DA27-00052A	COIL FILTER; 20mH,82*60	SA	1
31	2		DA63-08062A	COVER UNIT; BK,ABS,HB,INOX GRAY,HG-0760GP	SA	2
32	2	A0562	DA39-00429D	ASSY WIRE HARNESS-EARTH; ALL,FREE VOLT,UL	SA	1
33	2	M0116	DA97-15301A	ASSY SUPPORT-CIRCUIT MOTOR; GRAN CRU,4 BL	SA	1
33-1	3	A0218	DA63-04118A	GROMMET-MOTOR; GUGGENHEIM,SI,ID8,OD18,WHI	SA	3
33-2	3		DA31-00278B	MOTOR BLDC FAN; G1538S12D1-SC-TTL-EM,1230	SA	1



No.	Lvl.	Loc.	Material Code	Description & Specification	SNA	Qty.
34	2	G0270	DA97-12330B	ASSY PIPE-CONDENSER; GRAND CRU, SPIRAL, AL	SA	1
34-1	3	M0181	DA63-40128A	GROMMET-SUB COND; -,NBR,-,-,-,-,-,DARK-	SA	2
35	2		DA64-02605F	TRIM BLADE; BK,PVC,SHGS-L130-67-01G,GRAY,	SA	1
36	2		DA64-02605E	TRIM BLADE; BK-PJT,PVC,SHGS-L130-67-01G,G	SA	2
37	2	M0076	DA97-15477B	ASSY COVER COMP; BK60 (RB8000J),AIR INTAK	SA	1
37-1	3		DA61-09324A	HOLDER WIRE; 3050,PP,BLACK,RM60,PP SCRAP	SA	1
38	2		DA67-04049A	CAP HINGE-HOLE; BK,ABS,T2.0,HB,WT0048,SNO	SA	2
39	3	G0202	DA63-00246B	GROMMET-DRAIN HOSE; CORE-PJT,NBR,-,-,-,-,-,	SA	1
40	3		DA97-15499B	ASSY DRAIN HOSE; BK-PJT,60mm	SNA	1
40-1	4	G0202	DA63-00246B	GROMMET-DRAIN HOSE; CORE-PJT,NBR,-,-,-,-,-,	SA	1
41	3		DA97-15722A	ASSY CASE PBA; BK-PJT,MPPE	SNA	1

# 4. Door

## Exploded View



## Parts List

No.	Lvl.	Loc.	Material Code	Description & Specification	SNA	Qty.
1	2	Z1100	DA91-04370C	ASSY DOOR FOAM-REF; BK,2010,RECESS,IN DIS	SA	1
1-1	3	M0196	DA64-04020C	MASCOT; ALL,NI,-,T0.06,L80	SA	1
1-2	5	A0640	DA61-10452A	STOPPER DOOR; BK65,60,PO-SPHC,-,T4.0	SA	1
1-3	4		DA34-00043J	SWITCH REED; 13mm,UL1007 AWG 22,50mm,HOOK	SA	1
1-4	4	G0271	DA67-02385C	CAP-REED SWITCH; SVETA-PJT,PP,T1.5,75.5,1	SA	1
1-5	5	A0663	DA61-03684C	SPRING ETC-EARTH; W07,STS304,L110	SA	2
1-6	5	A0827	DA63-08059A	GROMMET HINGE; BK65,60,PA66,BLACK	SA	1
1-7	5		DA66-01147A	LEVER AUTO CLOSE; BK65,60,POM,K300,BLACK,	SA	1
1-8	4		DA63-08070A	COVER LAMP-REF LOW; BK PJT,GPPS,2T,HB,NAT	SA	1
1-9	4		DA96-00392F	ASSY LAMP LED; 4ea,CEM-1,83*10,ICEBLUE,SM	SA	1
2	2	M0063	DA91-04340G	ASSY DOOR FOAM-FRE; BK60,2010,RECESS,A+++	SA	1
2-1	5	A0640	DA61-10452A	STOPPER DOOR; BK65,60,PO-SPHC,-,T4.0	SA	1
2-2	5	A0827	DA63-08059A	GROMMET HINGE; BK65,60,PA66,BLACK	SA	1
2-3	5		DA66-01147A	LEVER AUTO CLOSE; BK65,60,POM,K300,BLACK,	SA	1
2-4	5	A0534	DA61-03769B	MAGNET; SVETA,MAGNET,T5,W15,L18	SA	1
3	2	A0636	DA97-15479A	ASSY GUARD DAIRY; BK,HOT STAMPING	SA	1
3-1	3		DA63-07538A	GROMMET-A; MOUTON12,SI,COOL WHITE,NAME TA	SA	2
3-2	4		DA63-08045A	COVER DAIRY; RB7000J,GPPS,T3.0,HB,TP BLUE	SNA	1
3-3	3		DA67-02920A	CAP-HINGE DAIRY R; HERMES,POM,NTR	SA	1
3-4	3		DA67-02921A	CAP-HINGE DAIRY L; HERMES,POM,NTR	SA	1
4	2		DA97-13921R	ASSY GASKET-REF; RB7000J,RB41,GRAY,Section	SA	1
5	2		DA97-13921V	ASSY GASKET-FRE; RB7000J,GRAY,Section(DA6	SA	1
6	2	A0656	DA63-06221A	TRAY EGG; GRAND-CRU,GPPS,TP BLUE,165N,HI-	SA	1
7	2	A0167	DA97-15481A	ASSY GUARD BOTTLE; BK,HOT STAMPING	SA	1
7-1	3	A0151	DA63-08039A	GUARD BOTTLE; RB7000,GPPS,T3.0,TP BLUE	SA	1
8	2		DA97-15480A	ASSY GUARD VARIETY; BK,HOT STAMPING	SA	4
8-1	3	A0153	DA63-08038A	GUARD VARIETY; RB7000,GPPS,T3.0,TP BLUE	SA	4
9	2	A0904	DA97-15431A	ASSY COVER CONTROL-FRONT; BK,Internal	SA	1
10	2		DA97-15782A	ASSY CAP DOOR-UP; BK PJT,SMT, CAP HINGE	SA	1