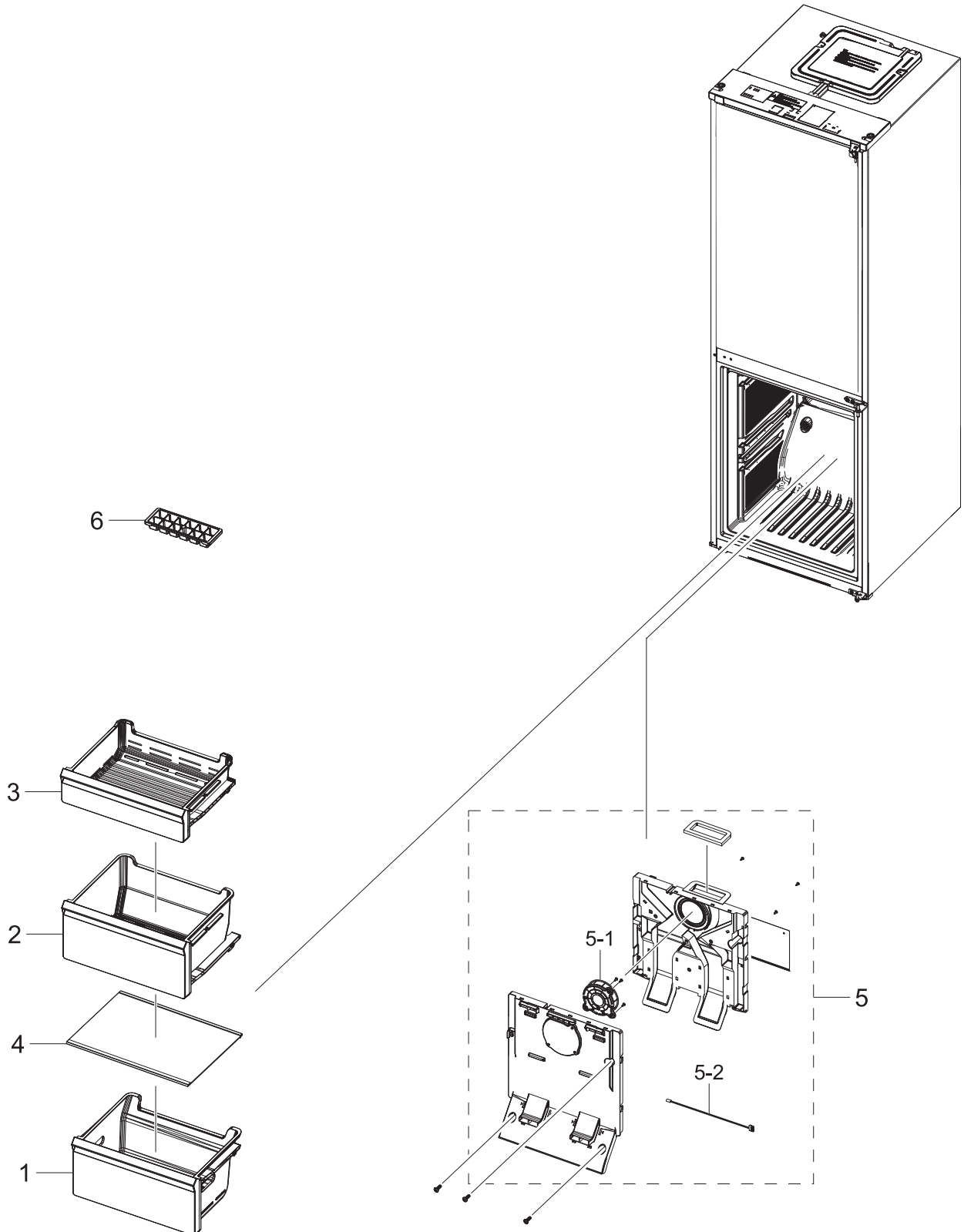


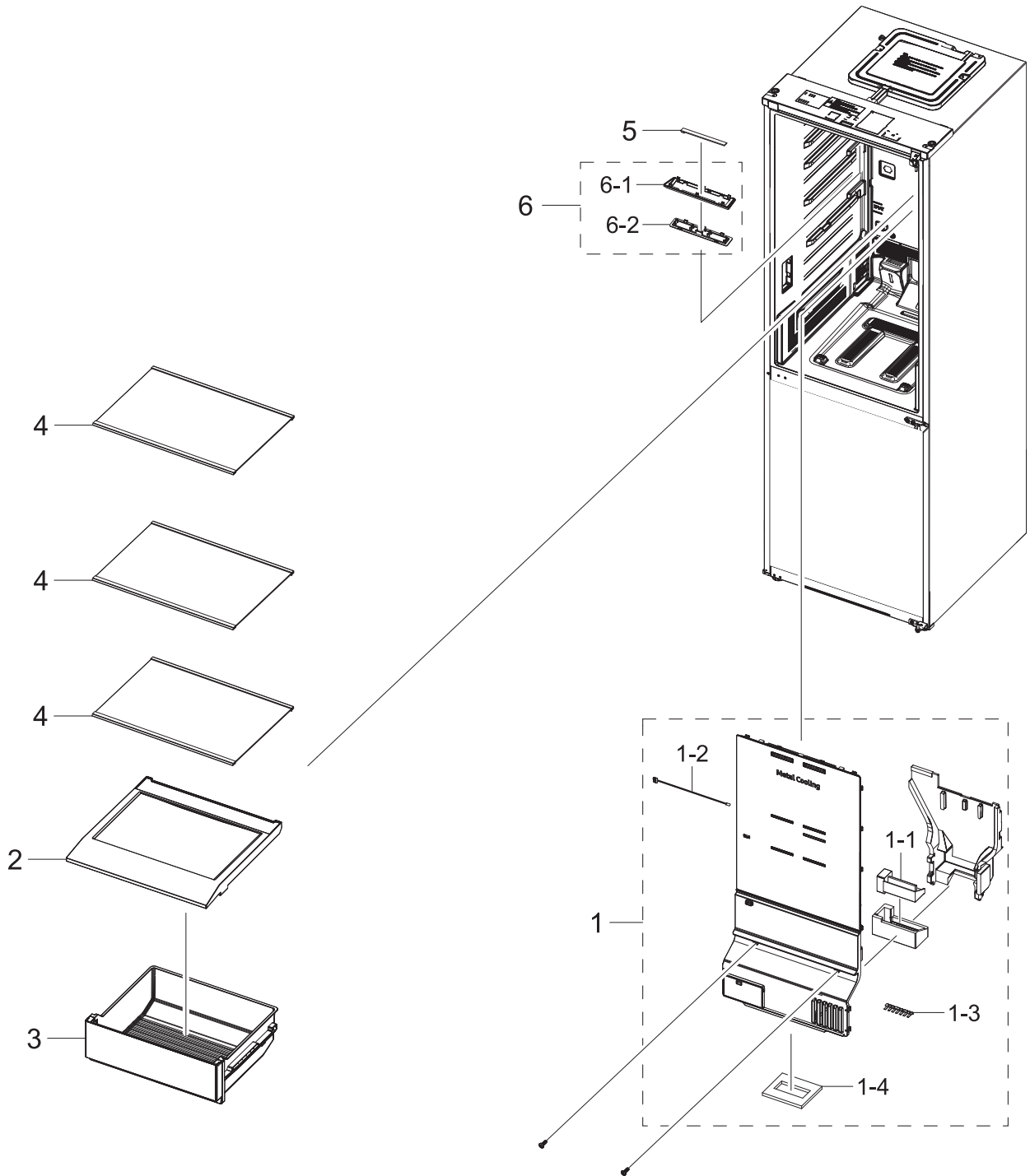
1. Freezer

Exploded View



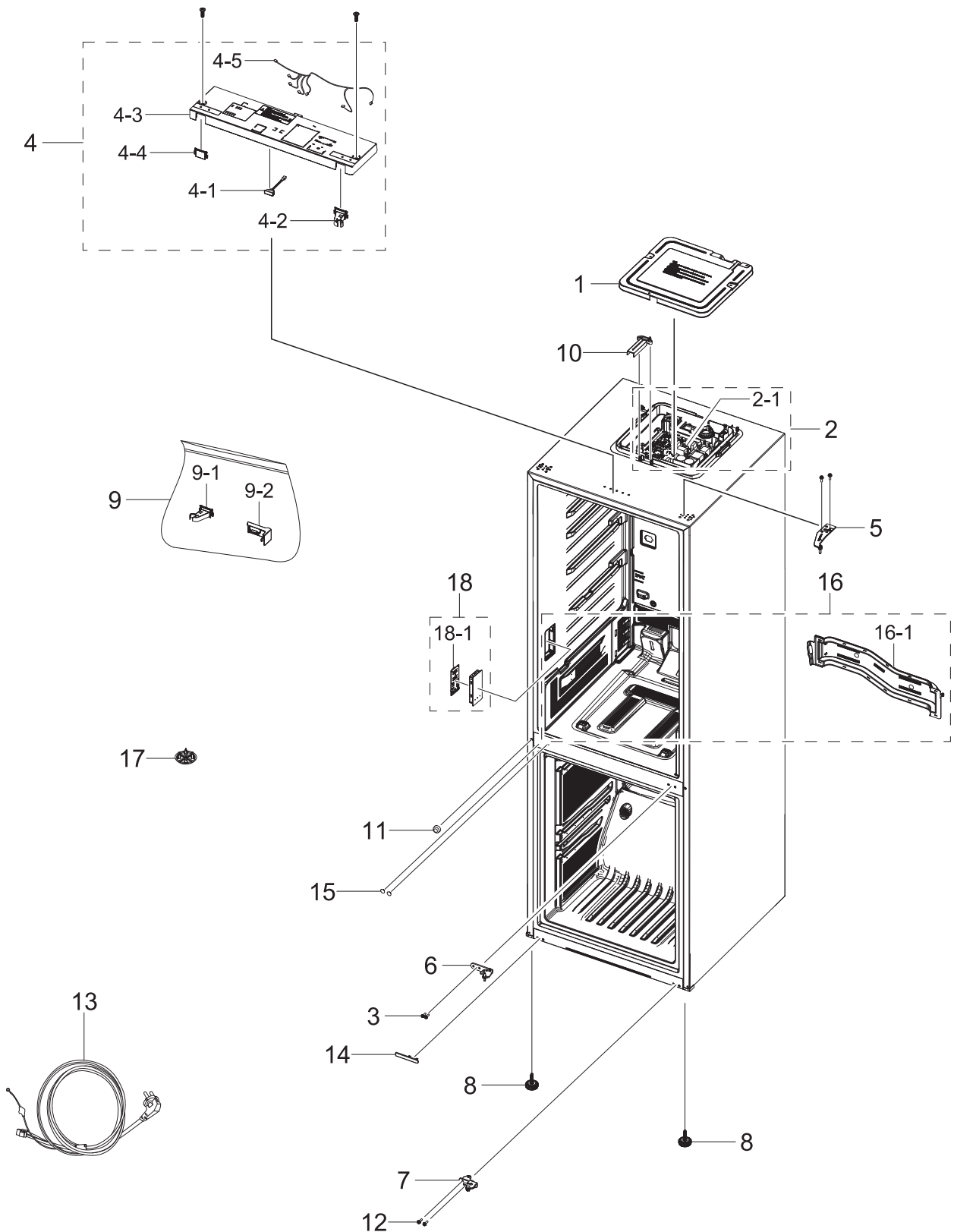
2. Refrigerator

Exploded View



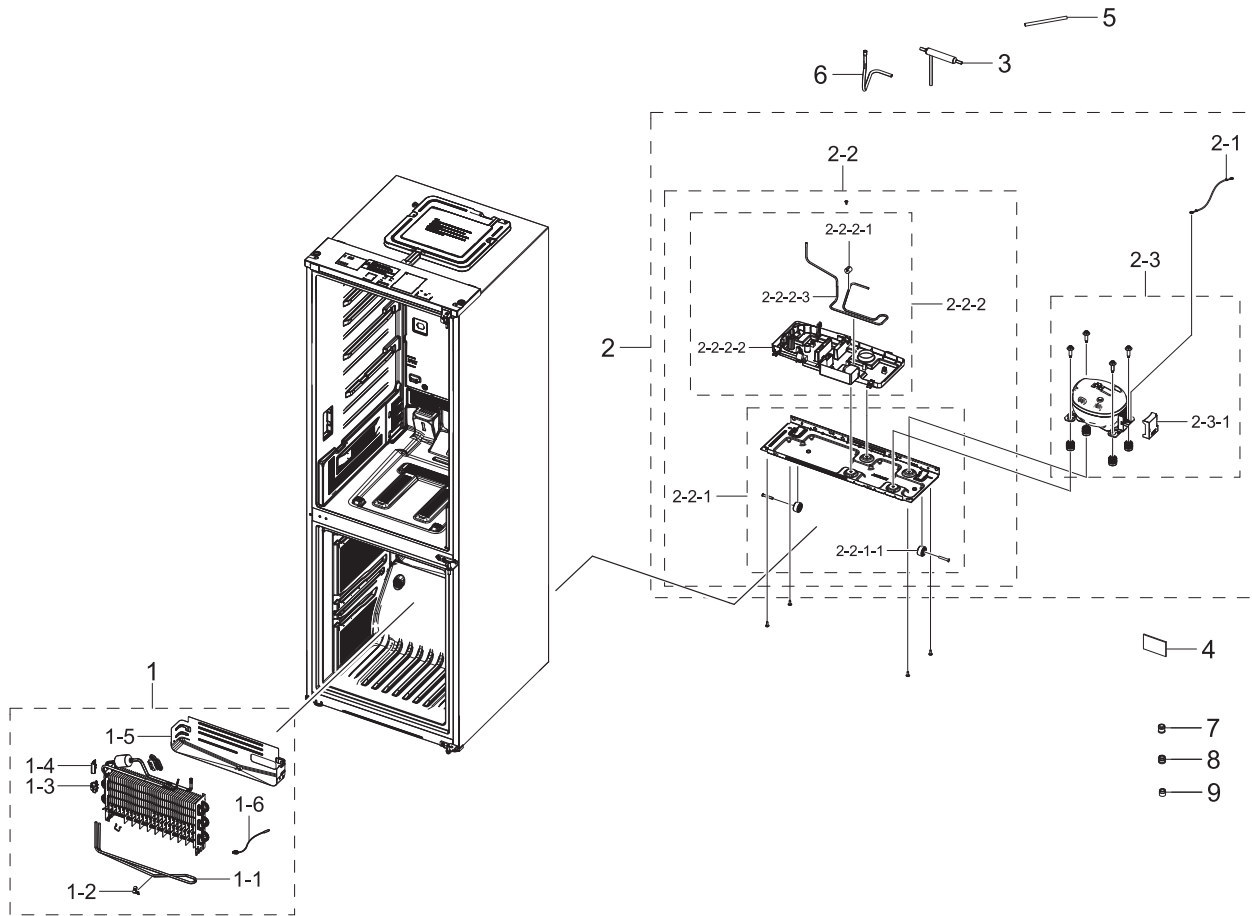
3. Cabinet

Exploded View



4. Cycle

Exploded View



Parts List

No.	Lvl.	Loc.	Description & Specification	SNA	Qty.
1	2	A0163	ASSY EVAP-FRE; RB7300, 3050,230V,140W,Hea	SA	1
1-1	3		HEATER METAL SHEATH; AC230V,377.9ohm,140W	SNA	1
1-2	3	M9010	PLATE-EVAP HEATER; AW-PJT,AI,T0.7	SA	1
1-3	3	G0205	FIXER-HEATER FRE; HERMES-PJT,PP,NATURAL,V	SA	1
1-4	3	A0744	FIXER-FUSE; NW2,PP,NATURAL,BJ750	SA	1
1-5	3	A0754	PLATE-DRAIN; 3050,GI-SGCC,T0.3	SA	1
1-6	3	A1018	SENSOR TEMP; PX-41C,502AT,DKST1329GW,F DE	SNA	1
2	2		ASSY MODULE IN-COMP N CONDENSING; RB7300T	SNA	1
2-1	3	A0562	ASSY WIRE HARNESS-EARTH; EARTH,ALL,,,,,FR	SA	1

5. Door

Exploded View

