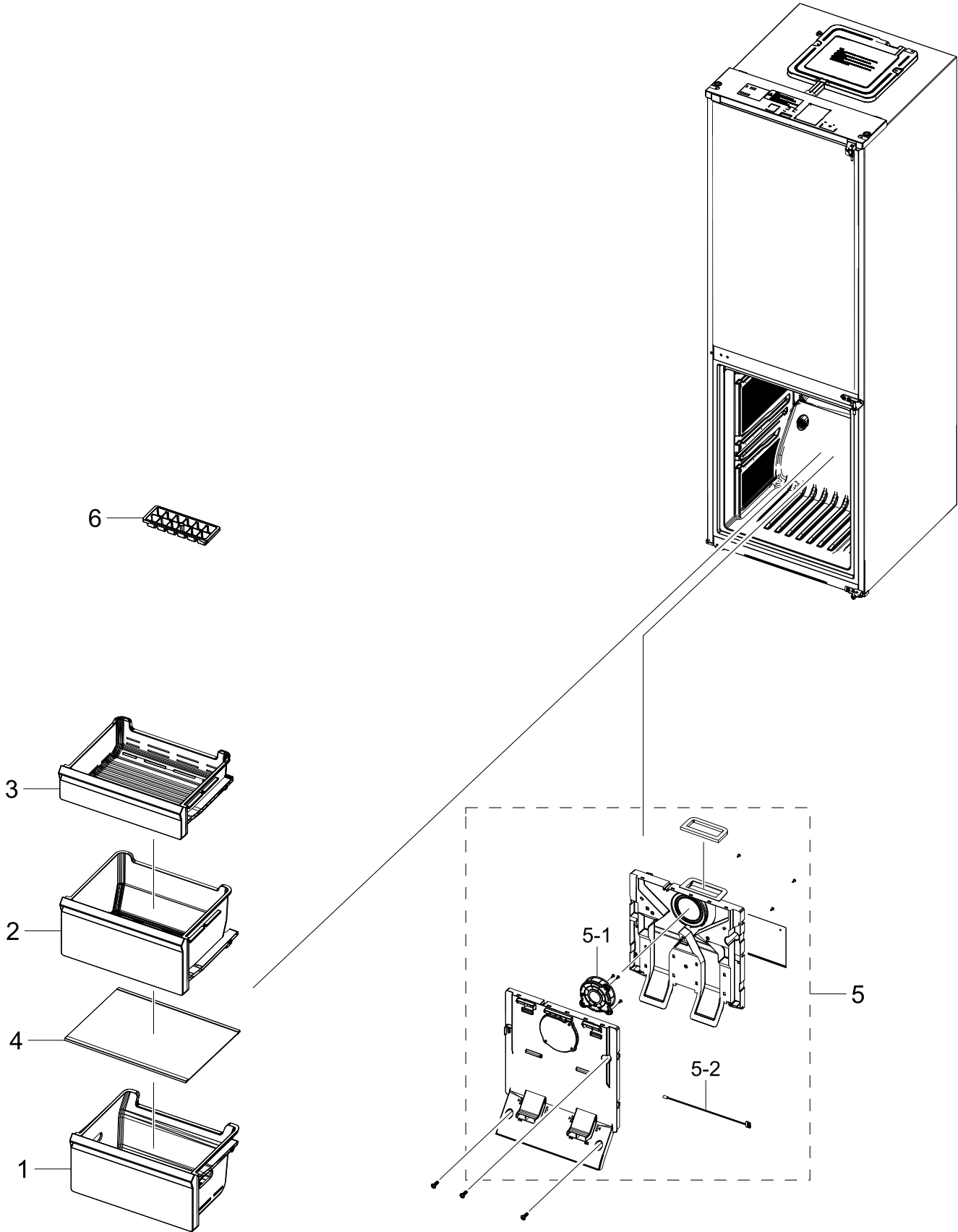


# 1. Freezer

## Exploded View

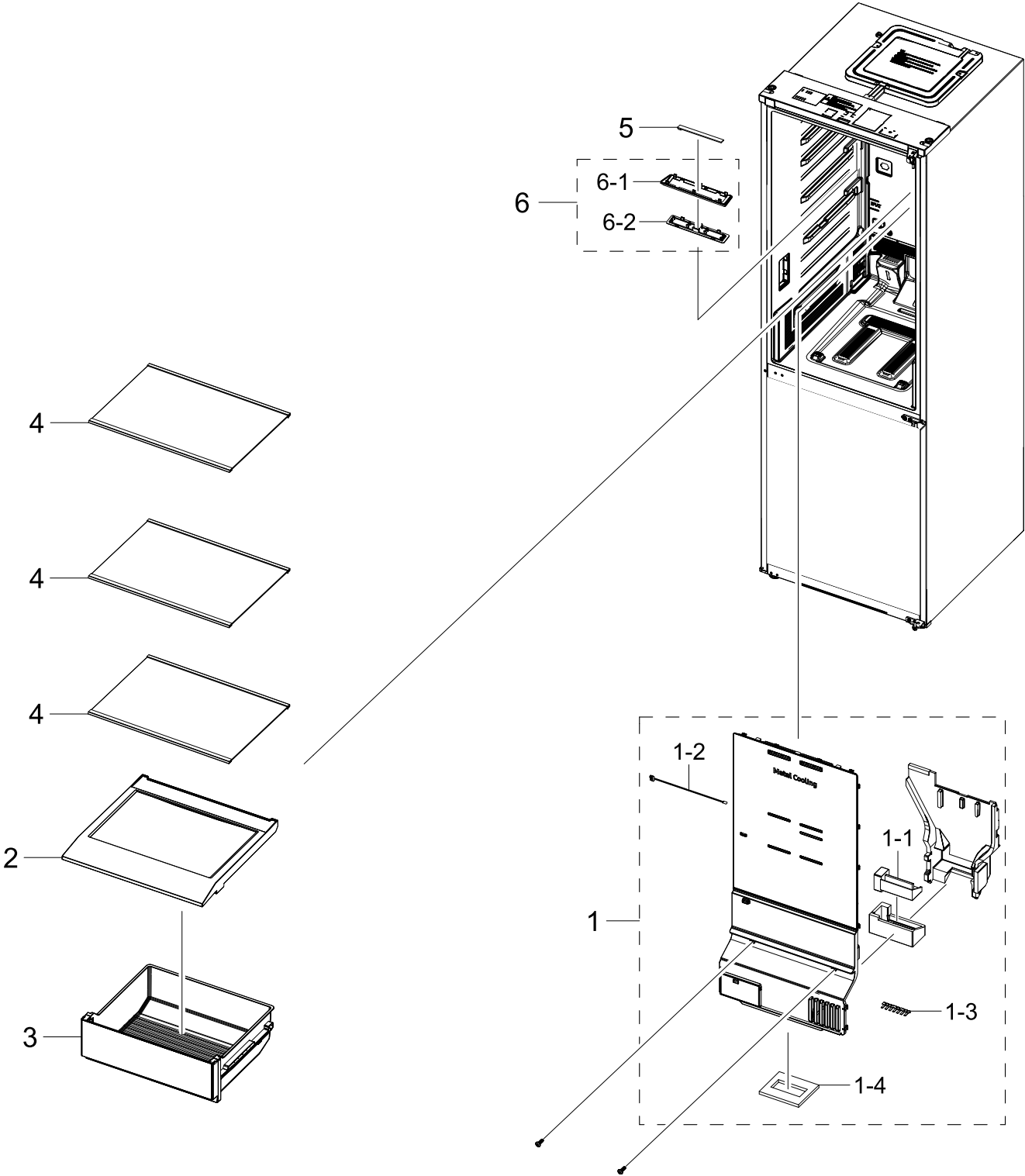


**Parts List**

| No. | Lvl. | Loc.  | Material Code | Description & Specification                  | SNA | Qty. |
|-----|------|-------|---------------|--|-----|------|
| 1   | 2    | G0267 | DA97-21136A   | ASSY TRAY-FRE LOW; RB7300T,TP BLUE           | SA  | 1    |
| 2   | 2    |       | DA97-21135A   | ASSY TRAY-FRE MIDDLE; RB7300T,TP BLUE        | SA  | 1    |
| 3   | 2    | M0483 | DA97-21134A   | ASSY TRAY-FRE UP; RB7300T,TP BLUE            | SA  | 1    |
| 4   | 2    | M0351 | DA97-21202A   | ASSY SHELF-FRE; RB7300T                      | SA  | 1    |
| 5   | 2    | M0303 | DA97-21145A   | ASSY COVER EVAP-FRE; RB7300T,AIO-Q7          | SA  | 1    |
| 5-1 | 3    |       | DA31-00334C   | MOTOR BLDC<br>FAN;12035GE-12M-YT,1775±7%,12  | SA  | 1    |
| 5-2 | 3    | A1018 | DA32-10105X   | SENSOR TEMP;QUEEN<br>PJT,-40~120°C,5V,F-SENS | SA  | 1    |
| 6   | 2    | A0120 | DA67-40146B   | TRAY ICE; SR-1500,PP,HB,COOL WHITE           | SA  | 1    |

# 2. Refrigerator

## Exploded View

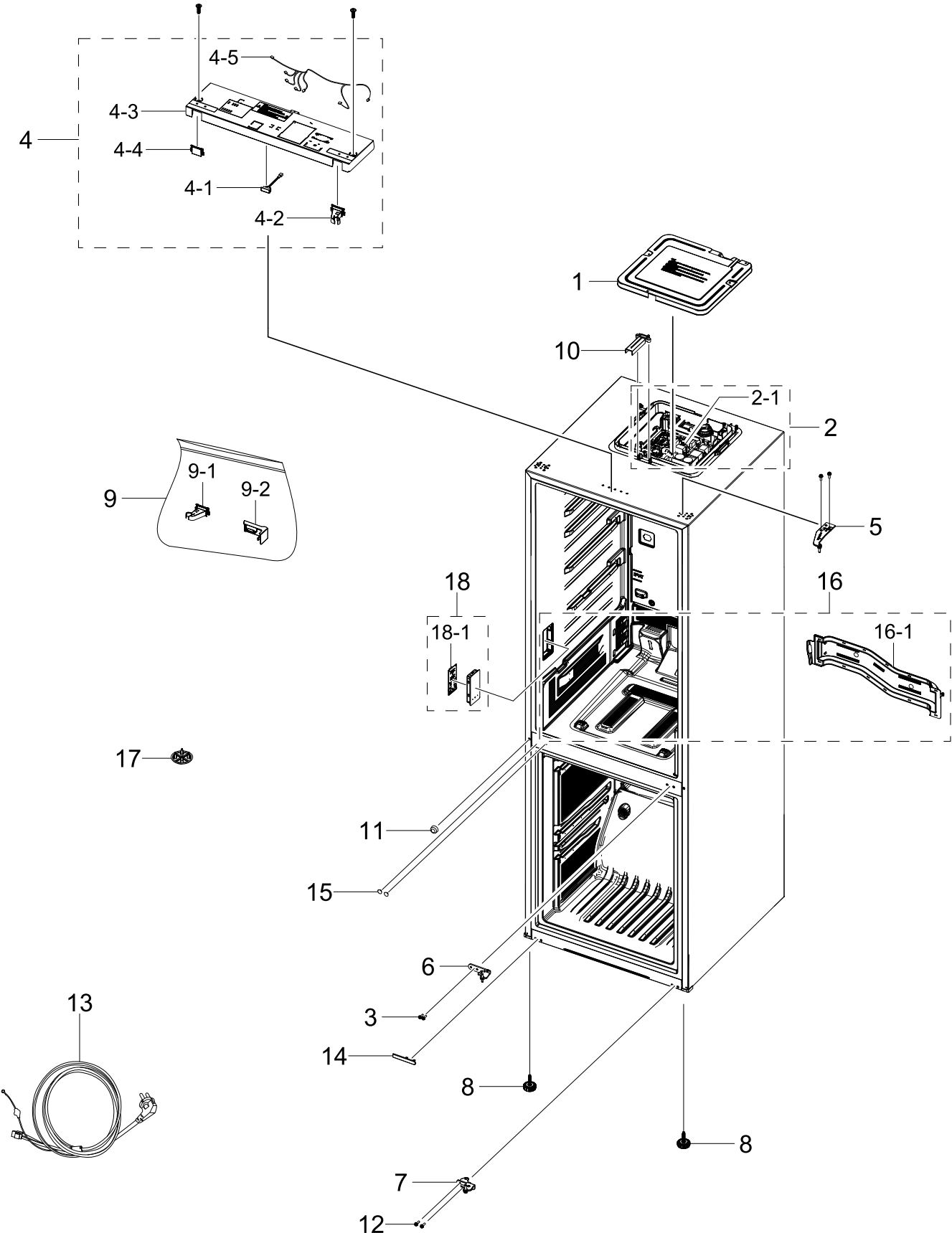


## Parts List

| No. | Lvl. | Loc.  | Material Code | Description & Specification                  | SNA | Qty. |
|-----|------|-------|---------------|--|-----|------|
| 1   | 2    | G0239 | DA97-21142C   | ASSY COVER MULTI-REF; RB7300T,RB34           | SA  | 1    |
| 1-1 | 3    |       | DA31-00333C   | MOTOR GEARED DC DAMPER;<br>NSBA001TN1,12V,60 | SA  | 1    |
| 1-2 | 3    | A1018 | DA32-00070D   | SENSOR TEMP;<br>SC41199-021A,900mm,13.2kohm  | SA  | 1    |
| 1-3 | 3    |       | DA61-11032A   | FIXER; RT5000K,PA66,WHITE,KN3322VO,7P<br>Ret | SA  | 1    |
| 1-4 | 3    |       | DA62-05494A   | SEAL INS MULTI-REF LOW; RB7300T,PE<br>OPEN C | SA  | 1    |
| 2   | 2    |       | DA97-21138A   | ASSY SHELF VEG-LOW; RB7300T                  | SA  | 1    |
| 3   | 2    | M0300 | DA97-21133C   | ASSY CASE VEG-LOW; RB7300T,TP<br>BLUE,1BOX   | SA  | 1    |
| 4   | 2    |       | DA97-13502D   | ASSY SHELF GLASS-REF; RL31/29,COOL<br>WHITE  | SA  | 3    |
| 5   | 2    |       | DA96-01119A   | ASSY LAMP LED;<br>3EA,FR-4,150*12,WHITE,SMAW | SA  | 1    |
| 6   | 2    |       | DA97-21569A   | ASSY COVER LAMP; RB7300T,COVER LAMP,<br>ASSY | SNA | 1    |
| 6-1 | 3    | A0190 | DA61-14156A   | CASE LAMP; RB7300T,HIPS,T2,COOL<br>WHITE,S83 | SA  | 1    |
| 6-2 | 3    | A0280 | DA63-09898A   | COVER LAMP; RB7300T,GPPS,T2,HB,TP<br>BLUE,14 | SA  | 1    |

# 3. Cabinet

## Exploded View



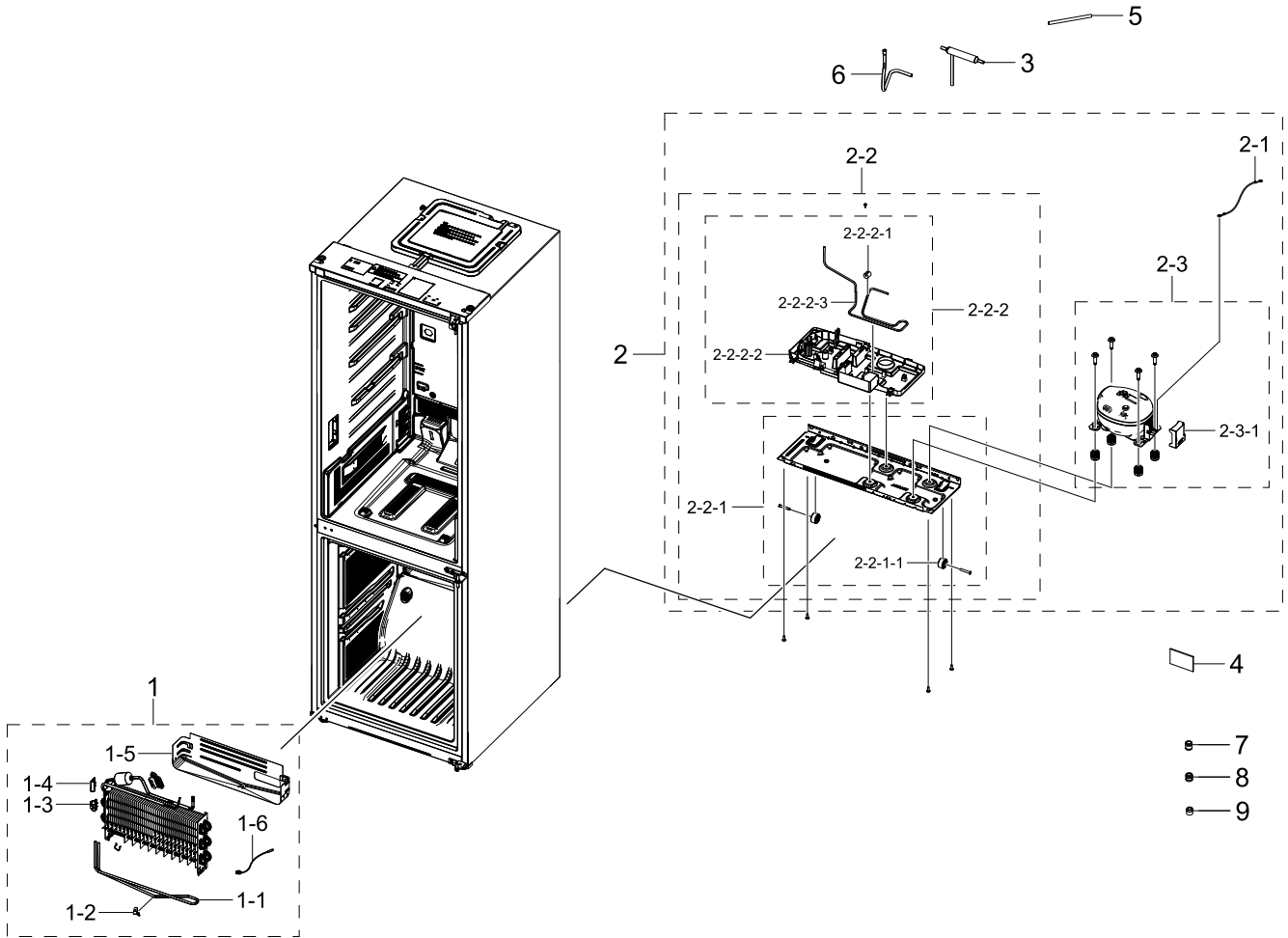
## Parts List

| No.  | Lvl. | Loc.  | Material Code | Description & Specification                  | SNA | Qty. |
|------|------|-------|---------------|--|-----|------|
| 1    | 2    |       | DA97-21372A   | ASSY COVER PBA-MAIN;<br>RB7300T,GI-SGCC,T0.4 | SA  | 1    |
| 2    | 1    |       | DA94-05464F   | ASSY PCB EEPROM;<br>0x27,D602,D603,D606,RB73 | SA  | 1    |
| 2-1  | 2    | A0952 | DA92-01296A   | ASSY PCB MAIN; MONO<br>COOLING,RB7300T,160*1 | SNA | 1    |
| 3    | 2    | A0564 | DA60-10123C   | BOLT-HEX;<br>M6,L24,ZPC(WHT),SWRCH18A,HWH He | SA  | 2    |
| 4    | 2    | A1288 | DA97-21246G   | ASSY TOP TABLE; RB7300T,SNOW<br>WHITE,Intern | SNA | 1    |
| 4-1  | 3    |       | DA34-00043J   | SWITCH REED; UL1007 AWG 22,50mm              | SA  | 1    |
| 4-2  | 3    |       | DA63-09846C   | COVER WIRE-HINGE RIGHT;<br>RB7300T,ABS,T1.2, | SA  | 1    |
| 4-3  | 3    | A1109 | DA64-06305C   | TOP TABLE; RB7300T,ABS,SNOW WHITE            | SA  | 1    |
| 4-4  | 3    |       | DA67-05048C   | CAP HINGE;<br>RB7300T,ABS,T2,HB,HG-0760GP,SN | SA  | 1    |
| 4-5  | 3    |       | DA96-01418B   | ASSY WIRE HARNESS-TOP; RB7300T,<br>Mono,INTE | SA  | 1    |
| 5    | 2    |       | DA97-21173A   | ASSY HINGE-UP; RB7300T,4T,BLACK              | SA  | 1    |
| 6    | 2    |       | DA97-21646A   | ASSY HINGE-MIDDLE; RB7300T,T4.5,BLACK        | SA  | 1    |
| 7    | 2    | M0344 | DA97-21632A   | ASSY HINGE-LOW; RB7300T,T4,BLACK             | SA  | 1    |
| 8    | 2    | Z1128 | DA61-07546B   | LEG-FRONT; GRAND CRU,PP,BLACK,RM60,PP<br>Scr | SA  | 2    |
| 9    | 2    |       | DA91-05341F   | ASSY INSTALL; RB7300T,SNOW WHITE             | SA  | 1    |
| 9-1  | 3    |       | DA63-09847C   | COVER WIRE-HINGE LEFT;<br>RB7300T,ABS,T1.2,H | SA  | 1    |
| 9-2  | 3    |       | DA67-05050C   | CAP SPACE-DOOR RIGHT;<br>RB7300T,ABS,T1.5,HB | SA  | 1    |
| 10   | 2    |       | DA63-09844C   | COVER WIRE-CABI;<br>RB7300T,ABS,T2,HB,SNOW W | SA  | 1    |
| 11   | 2    | A0270 | DA67-30218R   | CAP SCREW; PP,T1,HB,BJ750,SNOW<br>WHITE,SNOW | SA  | 1    |
| 12   | 2    | A0564 | 6011-001546   | BOLT-HEX;<br>M5(P0.8),L16,ZPC(WHT),HWH,+,SWR | SA  | 2    |
| 13   | 2    | A0273 | 3903-001027   | POWER CORD-AT; H05VV-F<br>3x0.75mm2,BLK,CH3S | SA  | 1    |
| 14   | 2    |       | DA67-05095A   | CAP SCREW-A; RB7300T,ABS,T1.5,COOL<br>WHITE  | SA  | 1    |
| 15   | 2    |       | DA67-04049A   | CAP HINGE-HOLE;<br>BK,ABS,T2,HB,WT0048,SNOW  | SA  | 2    |
| 16   | 2    | A0137 | DA94-05731B   | ASSY LINER; RB7300T, EUR1,RB34,Internal D    | SNA | 1    |
| 16-1 | 3    | A0614 | DA97-13554C   | ASSY DUCT; RB7300T                           | SA  | 1    |

| No.  | Lvl. | Loc.  | Material Code | Description & Specification                  | SNA | Qty. |
|------|------|-------|---------------|--|-----|------|
| 17   | 2    | M0158 | DA63-09871A   | COVER-URETHANE; RB7300T,PP,V-0,INNER<br>GRAY | SA  | 1    |
| 18   | 2    | A0626 | DA97-21005A   | ASSY COVER CONTROL;<br>RB7300T,WHITE,INNER,  | SA  | 1    |
| 18-1 | 3    |       | DA92-01298A   | ASSY MODULE; LED<br>DISPLAY,RB7300T,INNER,WH | SNA | 1    |

# 4. Cycle

## Exploded View



## Parts List

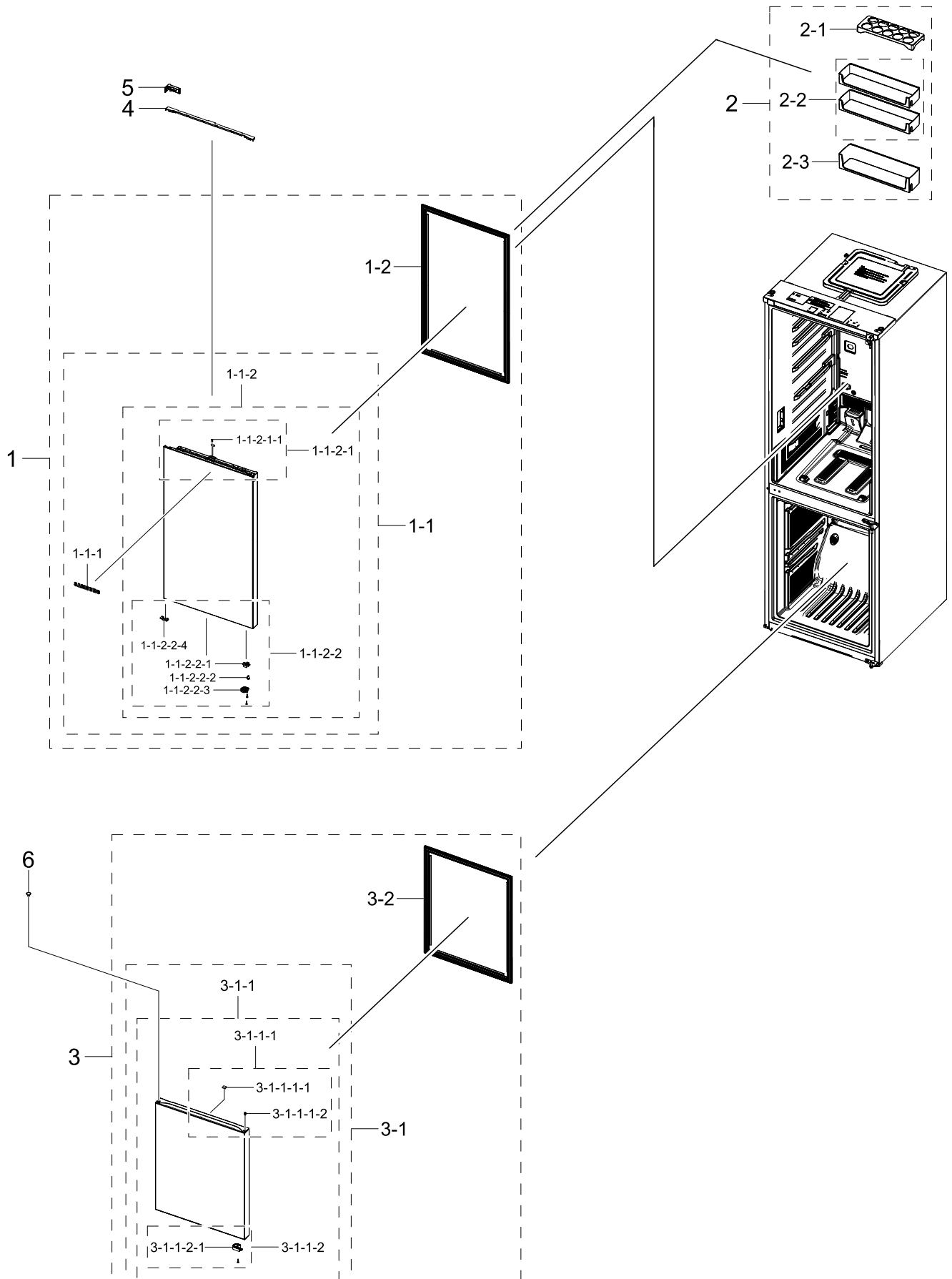
| No. | Lvl. | Loc.  | Material Code | Description & Specification                  | SNA | Qty. |
|-----|------|-------|---------------|--|-----|------|
| 1   | 2    | A0163 | DA96-01009F   | ASSY EVAP-FRE; RB7300, 3050,230V,140W,Hea    | SA  | 1    |
| 1-1 | 3    |       | DA47-00507E   | HEATER METAL SHEATH;<br>AC230V,377.9ohm,140W | SNA | 1    |
| 1-2 | 3    | M9010 | DA61-03644A   | PLATE-EVAP HEATER; AW-PJT,Al,T0.7            | SA  | 1    |
| 1-3 | 3    | G0205 | DA61-04921B   | FIXER-HEATER FRE;<br>HERMES-PJT,PP,NATURAL,V | SA  | 1    |
| 1-4 | 3    | A0744 | DA61-07411A   | FIXER-FUSE; NW2,PP,NATURAL,BJ750             | SA  | 1    |
| 1-5 | 3    | A0754 | DA61-08936A   | PLATE-DRAIN; 3050,GI-SGCC,T0.3               | SA  | 1    |
| 1-6 | 3    | A1018 | DA32-00006D   | SENSOR TEMP; F<br>DEF-SENSOR,L250,200kohm,1% | SNA | 1    |
| 2   | 2    |       | DA97-21454B   | ASSY MODULE IN-COMP N CONDENSING;<br>RB7300T | SNA | 1    |
| 2-1 | 3    | A0562 | DA39-20389A   | ASSY WIRE HARNESS-EARTH;<br>EARTH,ALL,,,,,FR | SA  | 1    |



| No.     | Lvl. | Loc.  | Material Code  | Description & Specification                                 | SNA | Qty. |
|---------|------|-------|----------------|---|-----|------|
| 2-2     | 3    |       | DA97-21380A    | ASSY CHASSIS; RB7300T,PIPE IMMERSING                        | SNA | 1    |
| 2-2-1   | 4    | A0526 | DA97-21174A    | ASSY CHASSIS COMP;<br>RB7300T,GI-SGCC,T0.8,C                | SA  | 1    |
| 2-2-1-1 | 5    | A0527 | DA61-06202A    | CASTER-REAR; GRAND-CRU,PP,NATURAL                           | SA  | 2    |
| 2-2-2   | 4    | A0529 | DA97-21176A    | ASSY TRAY DRAIN WATER; RB7300T,No fan,<br>No                | SNA | 1    |
| 2-2-2-1 | 5    | M0333 | DA63-40171B    | GROMMET-SUCT PIPE A; NBR,ID4,OD20                           | SC  | 1    |
| 2-2-2-2 | 5    |       | DA97-21381A    | ASSY TRAY DRAIN WATER-SUB; RB7300T                          | SA  | 1    |
| 2-2-2-3 | 5    |       | DA62-05493A    | PIPE IMMERSING-IN;<br>RB7300T,TSW,OD4.76,T0.                | SA  | 1    |
| 2-3     | 3    |       | NI34T9101ABTT1 | CMP,COMP,REFRIGERATOR,R600A;<br>CMP,COMP,REFRIGERATOR,R600A |     | 1    |
| 2-3-1   | 4    | Z1032 | DA63-09465A    | COVER RELAY; S3,PC,T2,5VB,ALL BLACK                         | SA  | 1    |
| 3       | 2    | A0669 | DA62-04309L    | DRYER; C1220T-H,L118,SINGLE MOUTH,For<br>Cap                | SA  | 1    |
| 4       | 2    |       | DA72-60040W    | SEAL-CUTT RUBBER;<br>TD-PJT,RUBBER,BLACK,T5,                | SA  | 1    |
| 5       | 2    |       | DA62-04323A    | PIPE CONNECT-DISC;<br>3050,CU,NATURAL,Africa                | SA  | 1    |
| 6       | 2    |       | DA62-05500A    | PIPE CONNECT-SUCTION;<br>RB7300T,Cu,OD6.35,T                | SA  | 1    |
| 7       | 2    |       | DA60-00279A    | FITTING-LOKRING 16; SUM23,16,<br>11SMnPb30K                 | SA  | 1    |
| 8       | 2    |       | DA60-00280A    | FITTING-LOKRING 33; SUM23,33,<br>11SMnPb30K                 | SA  | 1    |
| 9       | 2    |       | DA60-00281A    | FITTING LOCK SLEEVE;<br>SUM23,ID5.02,11SMnPb                | SA  | 1    |

# 5. Door

## Exploded View



## Parts List

| No.       | Lvl. | Loc.  | Material Code | Description & Specification                  | SNA | Qty. |
|-----------|------|-------|---------------|--|-----|------|
| 1         | 2    |       | DA97-21621K   | ASSY MODULE IN-DOOR FOAM;<br>RB7300T,RB34,WW | SNA | 1    |
| 1-1       | 3    | Z1100 | DA91-05333P   | ASSY DOOR FOAM-REF;<br>RB7300T,WW(SNOW WHITE | SA  | 1    |
| 1-1-1     | 4    | M0196 | DA64-04020C   | MASCOT; ALL,Ni,T0.06,L80                     | SA  | 1    |
| 1-1-2     | 4    |       | DA97-21312J   | ASSY PLATE DOOR-REF;<br>RB7300T,RB34,IN-CONT | SNA | 1    |
| 1-1-2-1   | 5    |       | DA97-21210F   | ASSY CAP DOOR-REF UP; RB7300T,SNOW<br>WHITE, | SNA | 1    |
| 1-1-2-1-1 | 6    |       | DA67-02795C   | CAP-SHAFT HOLE;<br>AW3,ABS,HG-0760GP,SNOW WH | SA  | 1    |
| 1-1-2-2   | 5    | A0048 | DA97-21211D   | ASSY CAP DOOR-REF LOW; RB7300T,SNOW<br>WHITE | SNA | 1    |
| 1-1-2-2-1 | 6    | A0640 | DA61-14266A   | STOPPER DOOR; RB7300T,<br>METAL,PO-SPHC,T4,A | SA  | 1    |
| 1-1-2-2-2 | 6    |       | DA63-09976A   | GROMMET DOOR-REF;<br>RB7300T,POM,BLACK       | SA  | 1    |
| 1-1-2-2-3 | 6    |       | DA66-01480A   | LEVER AUTO CLOSE;<br>RB7300T,POM,T1.8,K300,R | SA  | 1    |
| 1-1-2-2-4 | 6    |       | DA67-05054B   | CAP DOOR SUB;<br>RB7300T,ABS,T1.5,HB,HG-0760 | SA  | 1    |
| 1-2       | 3    |       | DA97-21243F   | ASSY GASKET; RB7300,GRAY,Sub<br>Combination, | SA  | 1    |
| 2         | 1    | A0166 | DA90-12422D   | ASSY GUARD; RB7300T,RB34,TP Blue,REF<br>UP(2 | SNA | 1    |
| 2-1       | 2    | A0656 | DA63-06221A   | TRAY EGG;<br>GRAND-CRU,GPPS,T2.1,92,252.9,TP | SA  | 1    |
| 2-2       | 2    | M0447 | DA63-09799A   | GUARD-REF UP; RB7300T,GPPS,TP BLUE           | SA  | 2    |
| 2-3       | 2    | A0151 | DA63-09802A   | GUARD BOTTLE; RB7300T,GPPS,TP BLUE           | SA  | 1    |
| 3         | 2    |       | DA97-21618K   | ASSY MODULE IN-DOOR FOAM;<br>RB7300T,RB34,FR | SNA | 1    |
| 3-1       | 3    | M0063 | DA91-05342J   | ASSY DOOR FOAM-FRE;<br>RB7300T,WW(SNOW WHITE | SA  | 1    |
| 3-1-1     | 4    |       | DA97-21234D   | ASSY PLATE DOOR-FRE;<br>RB7300T,RECESS,SNOW  | SNA | 1    |
| 3-1-1-1   | 5    |       | DA97-21212C   | ASSY CAP DOOR-FRE UP; RB7300T,SNOW<br>WHITE, | SNA | 1    |
| 3-1-1-1-1 | 6    | A0534 | DA61-03769B   | MAGNET; SVETA,FERRITE,1600Gauss              | SA  | 1    |
| 3-1-1-1-2 | 6    | A0827 | DA63-08059A   | GROMMET HINGE; BK65,60,PA66,BLACK            | SA  | 1    |
| 3-1-1-2   | 5    | A0047 | DA97-21213A   | ASSY CAP DOOR-FRE LOW;<br>RB7300T,BLACK      | SNA | 1    |
| 3-1-1-2-1 | 6    |       | DA66-01445A   | LEVER AUTO CLOSE;<br>RB7300T,POM,T1.8,K300,B | SA  | 1    |

## Exploded Views and Parts List

| No. | Lvl. | Loc. | Material Code | Description & Specification                  | SNA | Qty. |
|-----|------|------|---------------|--|-----|------|
| 3-2 | 3    |      | DA97-21244B   | ASSY GASKET; RB7300,GRAY,Sub combination,    | SA  | 1    |
| 4   | 2    |      | DA63-09843C   | COVER WIRE-DOOR;<br>RB7300T,ABS,T2,HB,SNOW W | SA  | 1    |
| 5   | 2    |      | DA67-05049C   | CAP SPACE-DOOR LEFT;<br>RB7300T,ABS,T1.5,HB, | SA  | 1    |
| 6   | 2    |      | DA67-04054B   | CAP HINGE; BK<br>PJT,ABS,T1.2,HB,HG-0760GPS  | SA  | 1    |