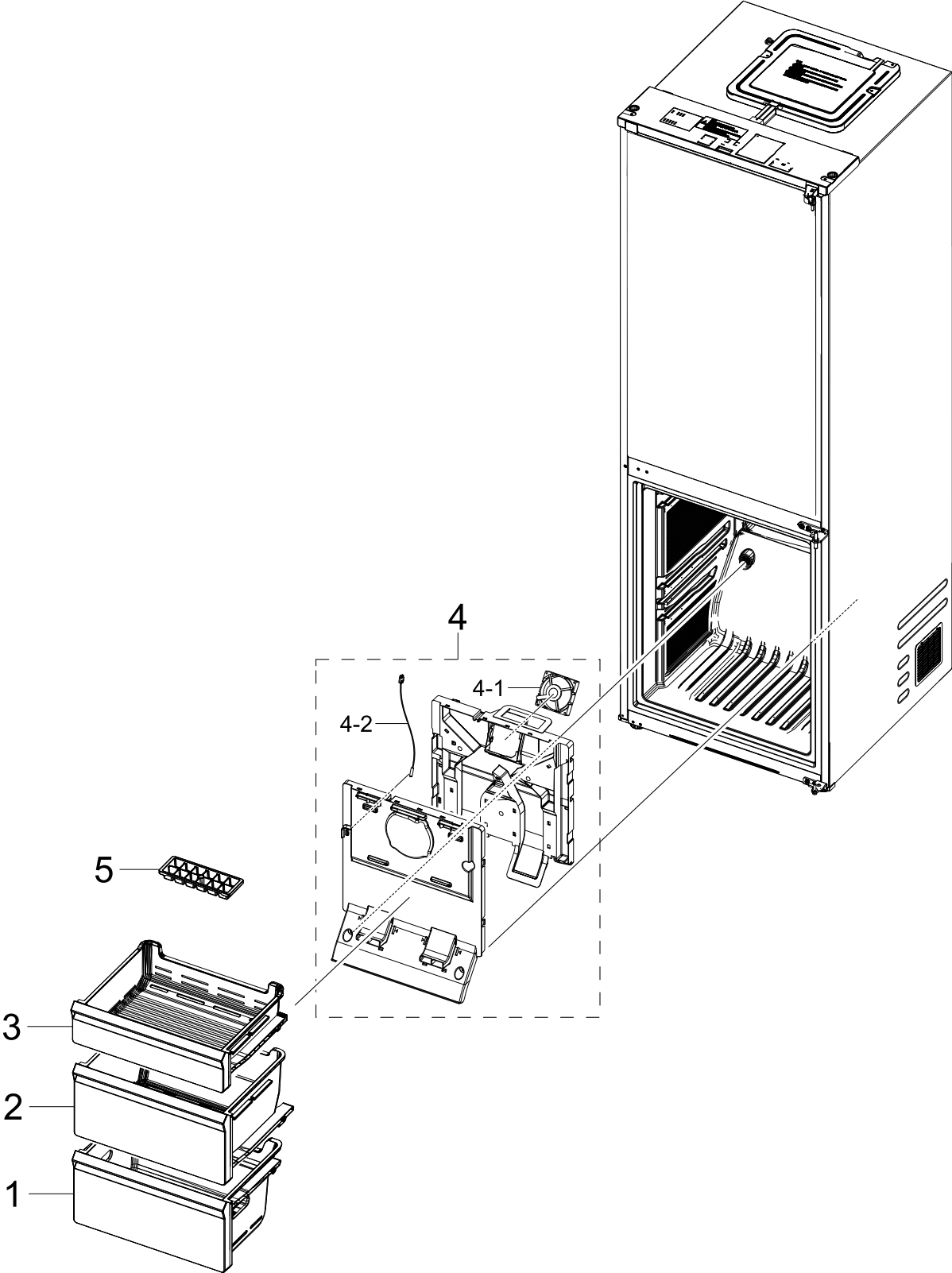


1. Freezer

Freezer

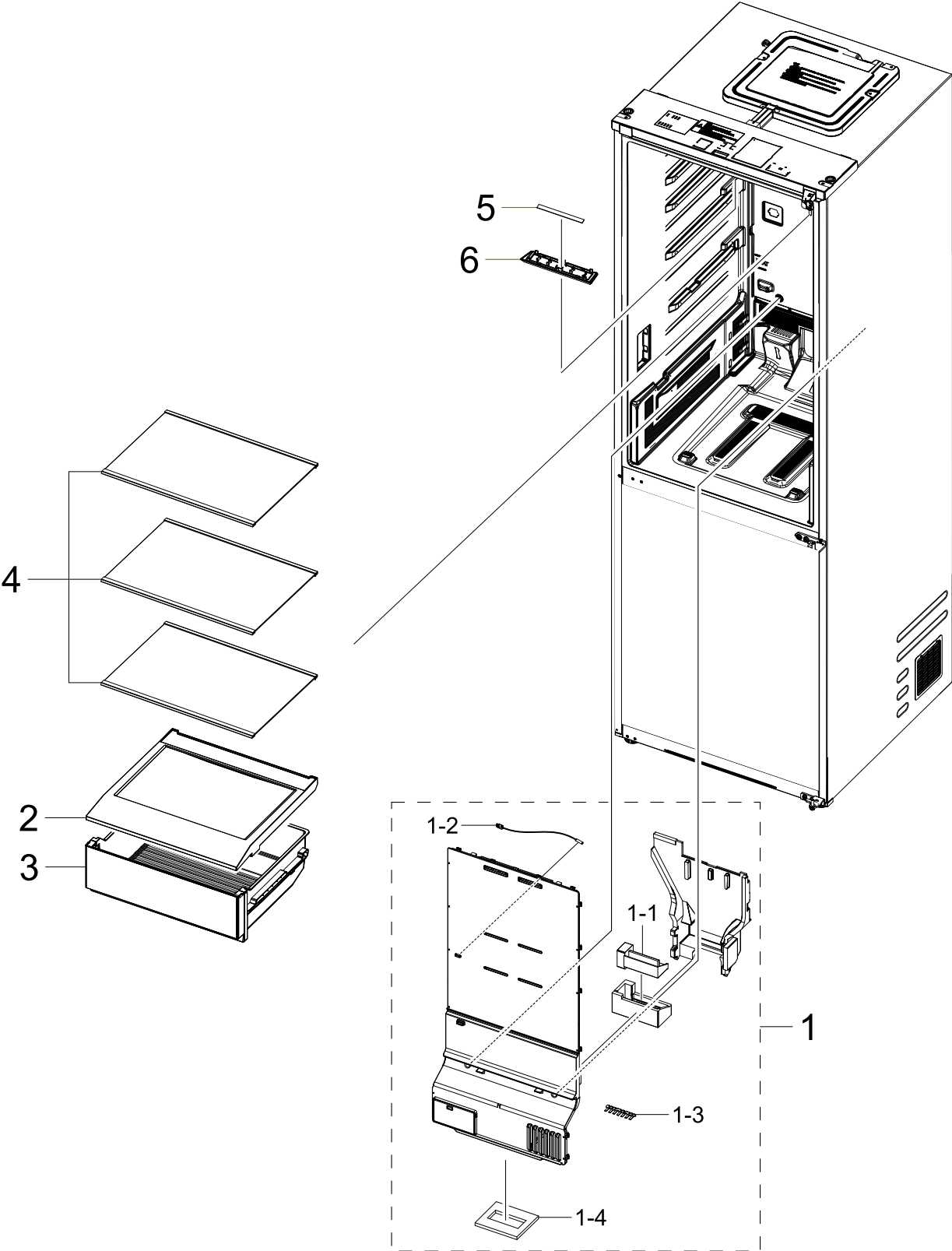
Exploded View



2. Fridge

Fridge

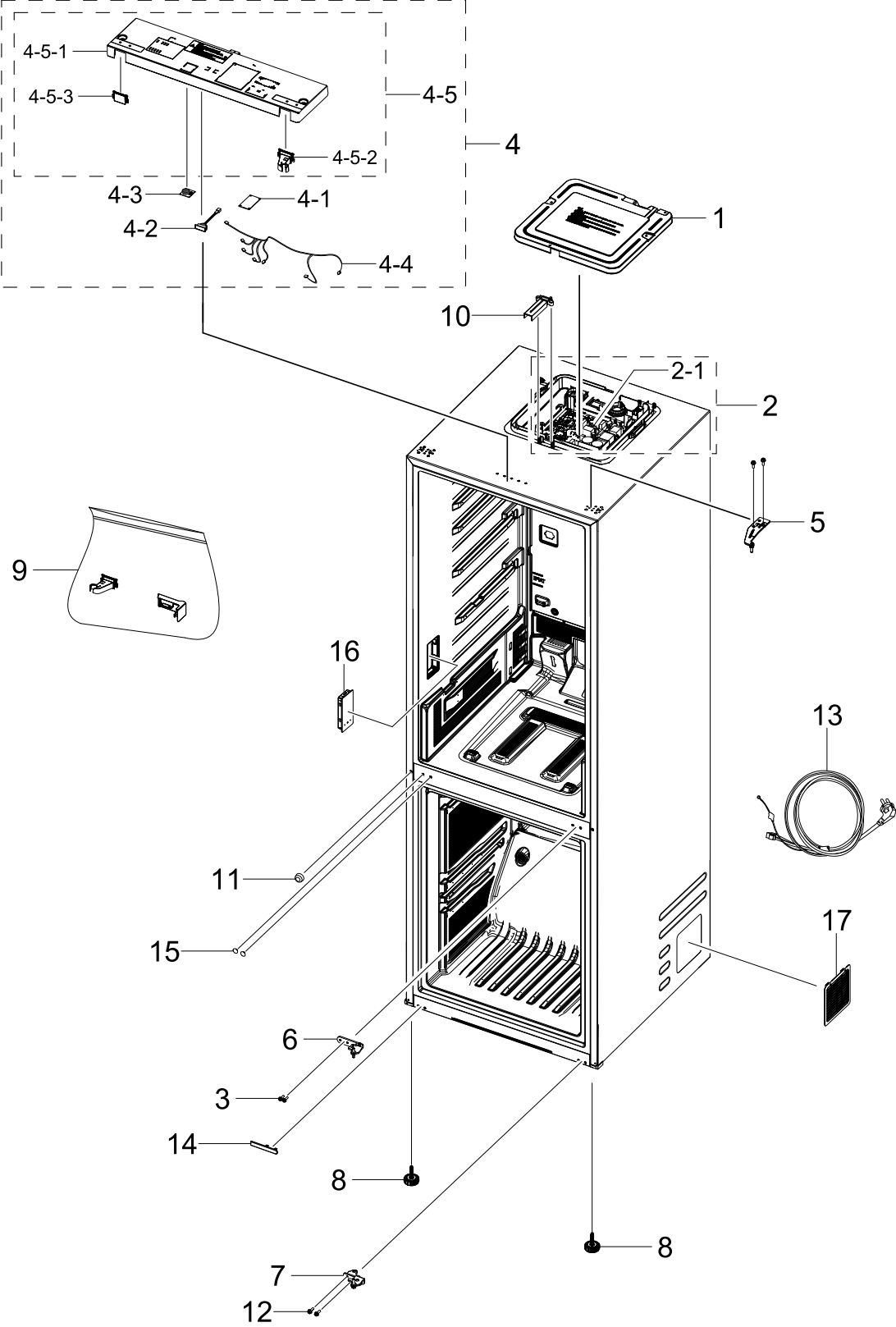
Exploded View



3. Cabinet

Cabinet

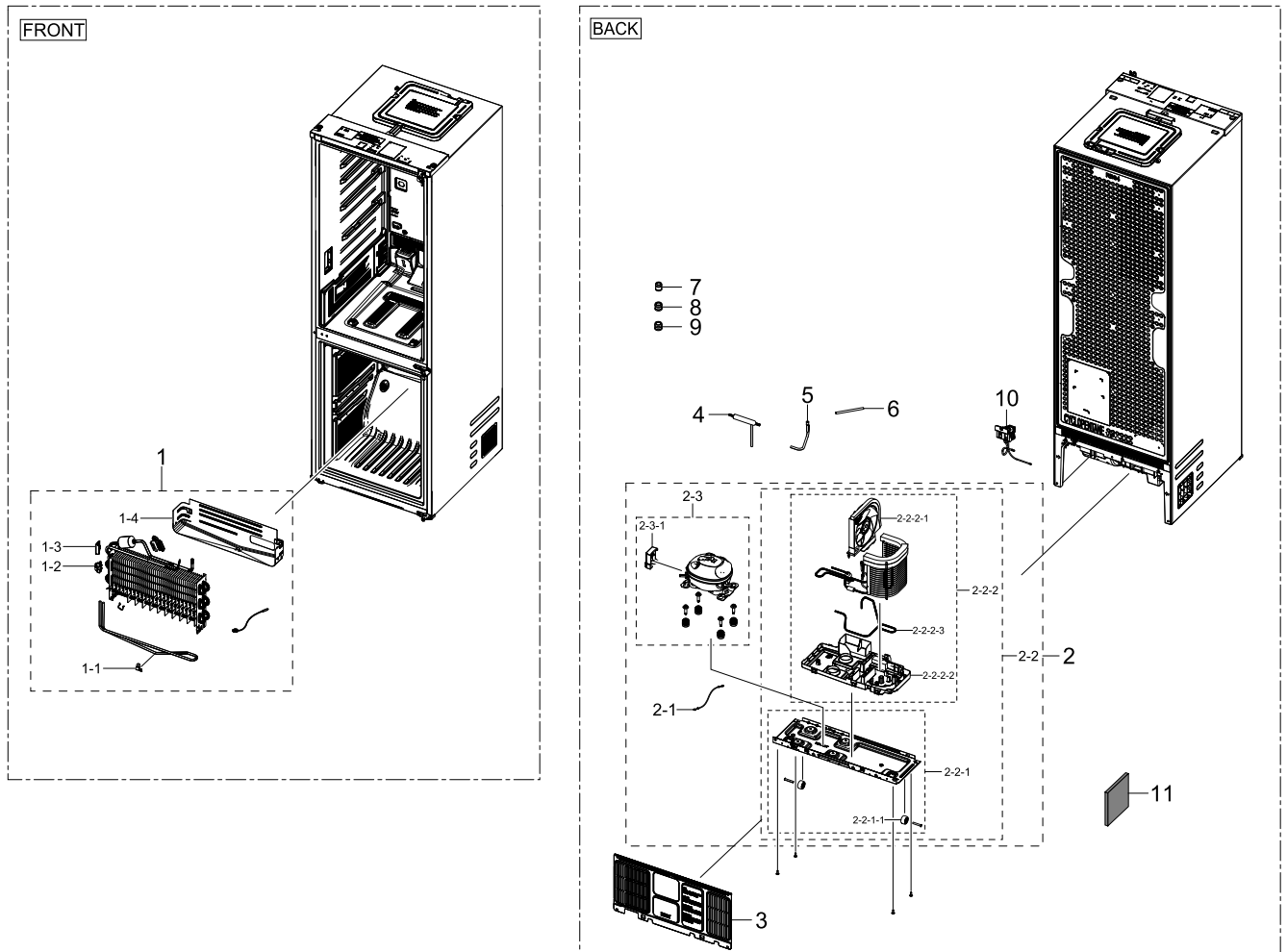
Exploded View



4. Cycle

Cycle

Exploded View



Parts List

| No. | Lvl. | Loc. | Material Code | Description & Specification | SNA | Qty. |
|-----|------|-------|---------------|--|-----|------|
| 1 | 2 | A0163 | DA96-01009F | ASSY EVAP-FRE EVAP MODULE; RB7300, 3050,2 | SA | 1 |
| 1-1 | 3 | M9010 | DA61-03644A | PLATE-EVAP HEATER; AW-PJT,Al,T0.7 | SA | 1 |
| 1-2 | 3 | G0205 | DA61-04921B | FIXER-HEATER FRE; HERMES-PJT,PP,-,NATURAL | SA | 1 |
| 1-3 | 3 | A0744 | DA61-07411A | FIXER-FUSE; NW2,PP,NATURAL,BJ750 | SA | 1 |
| 1-4 | 3 | A0754 | DA61-08936A | PLATE-DRAIN; 3050,GI-SGCC,T0.3,-,-,-,- | SA | 1 |
| 2 | 2 | | DA97-21454A | ASSY COMP N CONDENSING-COND MODULE; RB730 | SNA | 1 |
| 2-1 | 3 | A0562 | DA39-20389A | ASSY WIRE HARNESS-EARTH; EARTH,ALL,FREE V | SA | 1 |
| 2-2 | 3 | | DA97-21379A | ASSY CHASSIS; RB7300T,PFC B, C-FAN | SNA | 1 |

5. Door

Door

Exploded View

