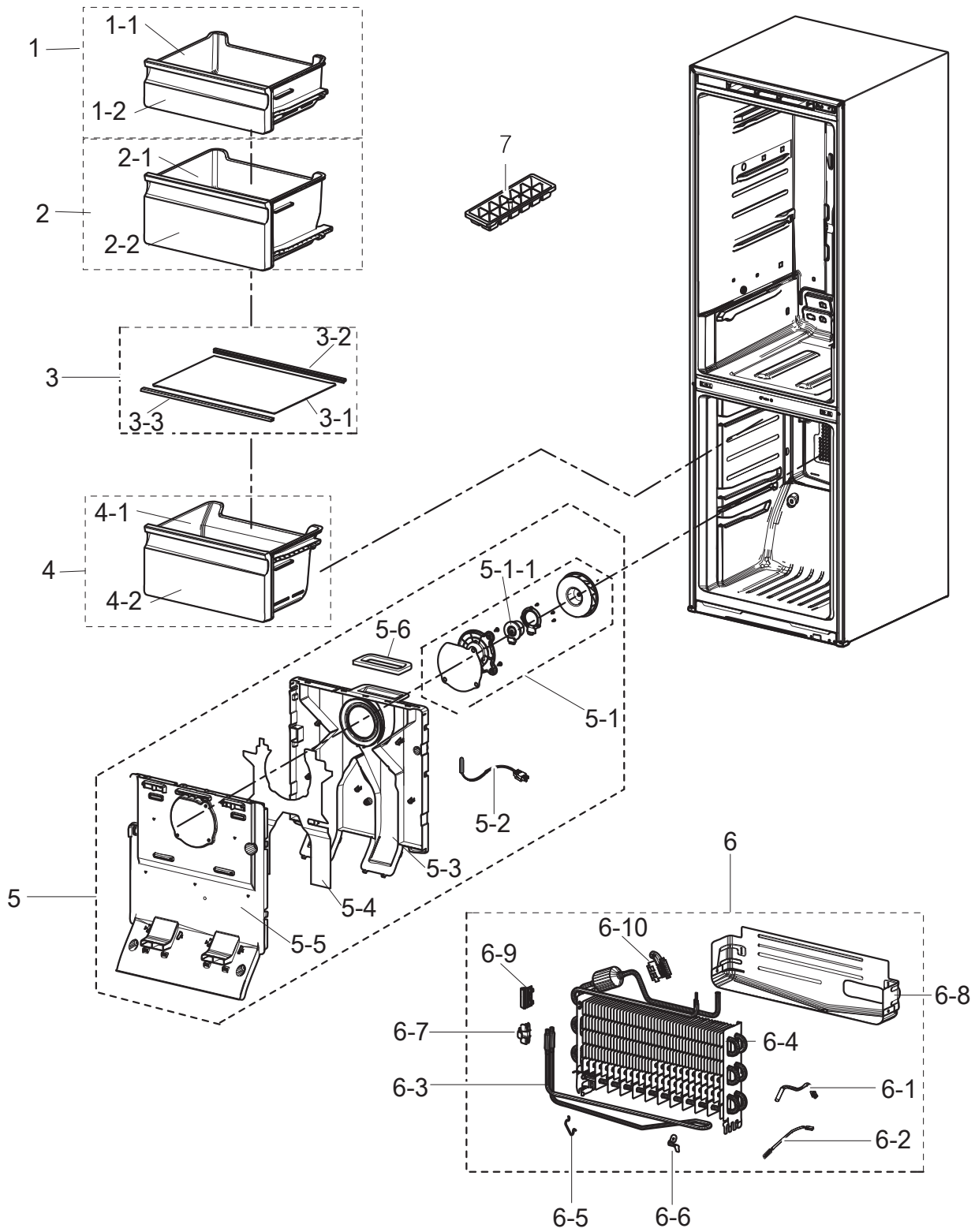


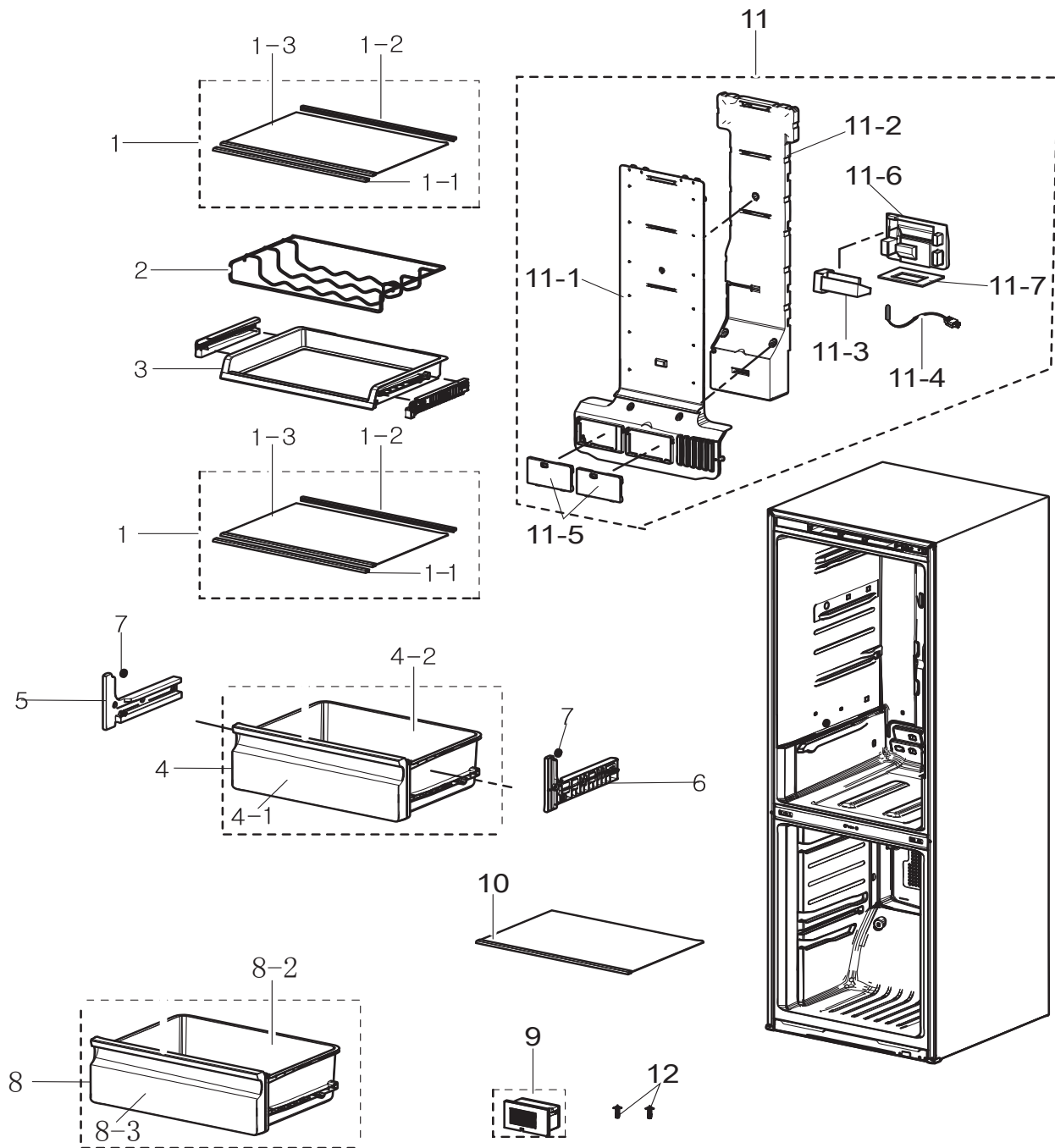
EXPLODED VIEW PART LIST

Freezer



EXPLODED VIEW PART LIST

Fridge



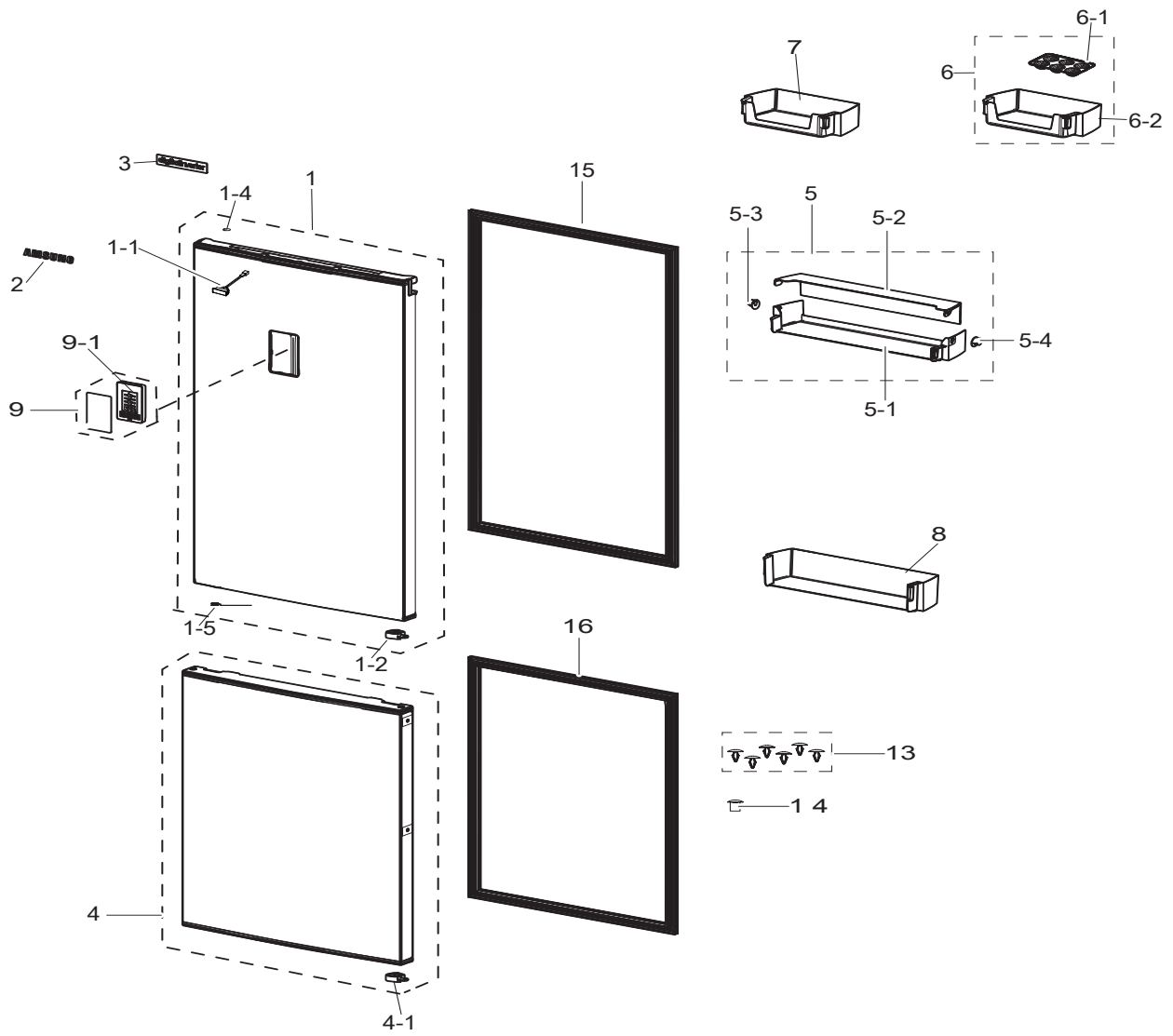
EXPLODED VIEW PART LIST

• Parts List of Fridge

NO	CODE NO	PART NAME	Specification	Quantity	SA/SNA
1	DA97-13502D	ASSY SHELF GLASS-REF	RL31/29,COOL WHITE	2	SA
1-1	DA64-04392A	TRIM SHELF-FRONT	RT320,HIPS,S834S1,COOL	2	SNA
1-2	DA64-04395A	TRIM SHELF-REAR	RT320,HIPS,S834S1,COOL W	2	SNA
1-3	DA67-03645K	GLASS-SHELF REF	3.2,RL310/290,TEMPERED G	2	SNA
2	DA63-07385A	COVER WIRE-HINGE L	3050,ABS,T1.5,HB,INOX GRAY,GY0034	1	SA
3	DA97-13616E	ASSY SHELF SLIDE-OUT	ASSY,NO HOT-STAMPING	1	SA
4	DA97-13473A	ASSY CASE-VEG UPP	3050,W479.2,L356.1	1	SA
4-1	DA61-09038A	CASE-VEG UPP	3050PJT, BMF,PP,COOL WHITE	1	SNA
4-2	DA97-13681A	ASSY COVER-VEG UPP	3050 BMF,GPPS,TRANSPA	1	SNA
5	DA61-09032A	RAIL-VEG L	3050 LMF,HIPS,COOL-WHITE	1	SC
6	DA61-09037A	RAIL-VEG R	3050 LMF,HIPS,COOL-WHITE	1	SC
7	DA66-00420A	ROLLER-RAIL LOW	N07-PJT,SSEC,POM,NTR	2	SA
8	DA61-07411A	ROLLER-RAIL LOW	NW2,PP,NATURAL,BJ750	1	SA
8-1	DA97-15063A	ASSY RAIL-RIGHT	3050-BMF,ASSY	1	SA
8-2	DA97-13681A	ASSY COVER-VEG UPP	3050 BMF,GPPS,TRANSPA	1	SNA
8-3	DA97-13684B	ASSY SHELF-REF SUB	ASSY,NO HOT-STAMPING	1	SA
8-4	DA61-08967A	RAIL SHELF-SLIDE OUT R	3050,HIPS,NATURAL,454N,HB	1	SA
8-5	DA61-08968A	RAIL SHELF-SLIDE OUT L	3050,HIPS,NATURAL,454N,HB	1	SA
8-6	6011-001546	BOLT-HEX	M5(P0.8),L16,ZPC(WHT),SWRCH18A,IND Type C	7	SA
9	DA31-00043F	MOTOR DC-DAMPER	-,CORE-PJT,Max 60mA,-,-,	1	SA
10	DA97-14152C	ASSY CASE CONVERTIBLE	3050-PJT,NO HOTSTAMPING	1	SA
10-1	6009-001293	SCREW-SPECIAL	PWH,+,-,M4,L15.5(6.5),PASS	2	SA
10-2	DA31-00071D	MOTOR DC-DAMPER	DC 12V,MAX 60mA	1	SA
10-3	DA32-00011X	SENSOR TEMP	PX-41C/502AT,MT-PJT,-40~110□	1	SA
10-4	DA61-09034A	CASE-CONVERTIBLE A	3050(BMF),PP,COOL WHI	1	SA
10-5	DA62-04456A	INSULATION-UP	3050BMF,EPS,NATURAL	1	SNA
10-6	DA62-04457A	INSULATION-LOW	EPS,NATURAL	1	SNA
10-7	DA66-00151A	ROLLER-FRONT	A-TOP,POM,Φ16,-,WHT,-,CONVE	2	SA
11	DA97-13571F	ASSY COVER MULTI-REF	3050_BMF,RB29,COOL WHITE,CONV	1	SA
11-1	DA63-07426A	COVER-MULTI REF	3050_BMF,PP,HB,COOL WHITE,EP448T,RB29	1	SNA
11-2	DA62-04077A	INSULATION-MULTI REF A	3050_BMF,PS FOAM,WHITE,RB29, DENSITY-0.033	1	SNA
11-3	DA31-00043F	MOTOR DC-DAMPER	-,CORE-PJT,Max 60mA,-,-,	1	SA
11-4	DA32-00006N	SENSOR TEMP-ASSY	PX41C/502AT,TGV,-40~110	1	SA
11-6	DA62-04078A	INSULATION-MULTI REF B	3050_BMF,FOAM-PS,	1	SNA
11-7	DA62-04151A	SEAL-INS MULTI REF LOW	3050_BMF,OJC-3000	1	SNA
12	DA81-01532A	SCREW-SPECIAL	CH,+ ,M5,L12,ZPC2(WHT),SWRC	1	SA

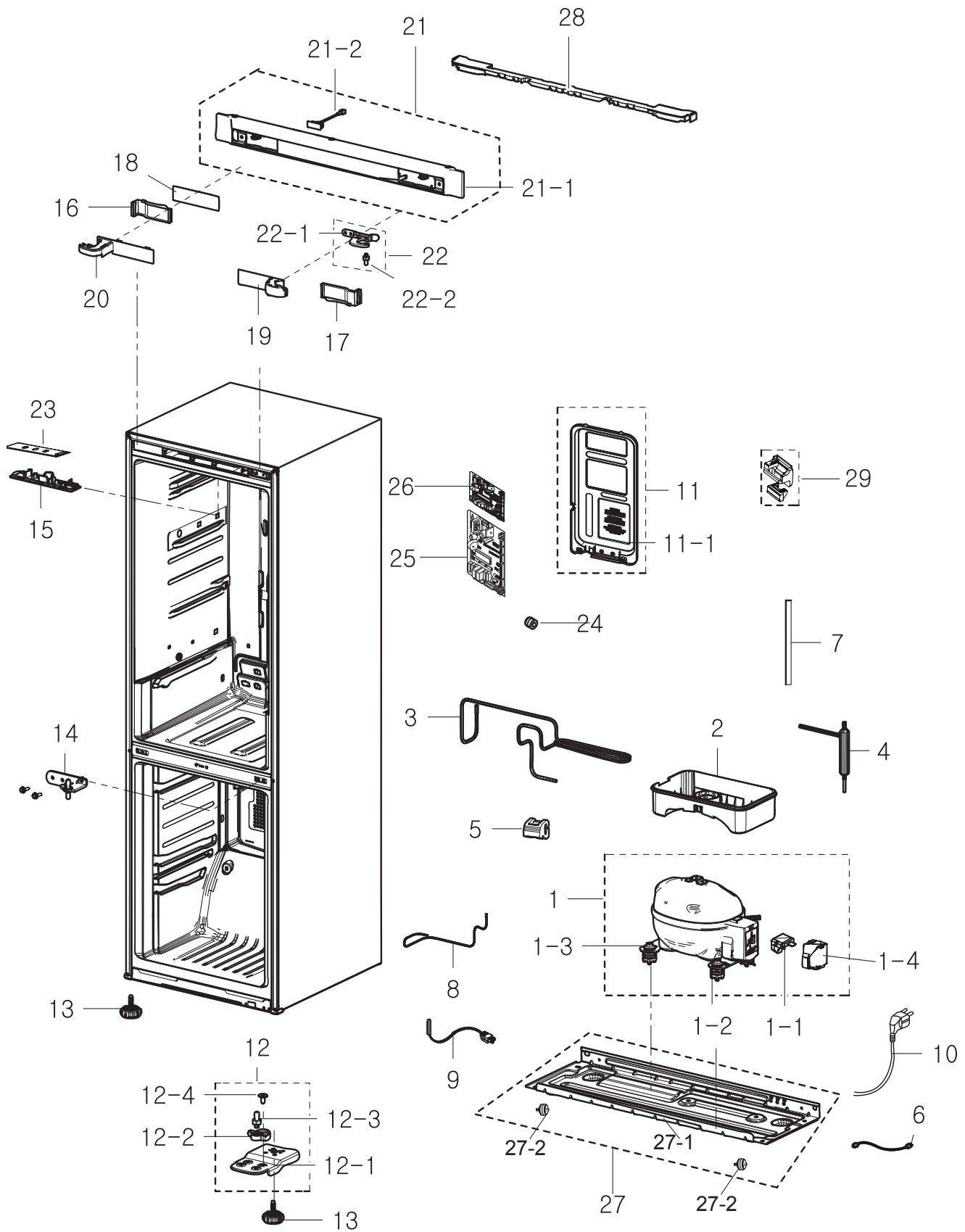
EXPLODED VIEW PART LIST

Door



EXPLODED VIEW PART LIST

Cabinet



EXPLODED VIEW PART LIST

• Parts List of Cabinet

NO	CODE NO	PART NAME	Specification	Quantity	SA/SNA
1	MSV488AL1R/CF3	CMP,COMP,REFRIGERATOR,R-600A	0	1	-
1-1	3501-001154	RELAY-MINIATURE	12V,200mW,3000mA,1FormA,10ms,10ms	1	SNA
1-2	DA63-02617A	GROMMET COMP	USP05,EPDM,OD27.0,BLACK	4	SA
1-3	DA60-20008A	BOLT-HEX	SWCH45K,WHITE,ZPC	4	SA
1-4	DA63-06122A	COVER-RELAY	MSV,N300X,T2.1,BLACK	1	SNA
2	DA97-13658A	ASSY TRAY-DRAIN WATER	3050_LMF(RB29/31),	1	SA
3	DA97-13649B	ASSY PIPE IMMERSING	3050 BMF,OD4.76,T0.7,SWST	1	SA
4	DA62-01469H	DRYER	W07,CU,OD18.8,T0.46,L115	1	SA
5	DA63-07475A	GROMMET-IMMERSION PIPE D	3050_LMF,NBR,20	1	SA
6	DA39-20389A	WIRE HARNESS-EARTH	Green/Yellow,ST710489	1	SNA
7	DA73-00050G	PIPE-CONN	TP2(M),ID5.15,OD6.35,T0.6	1	SA
8	DA62-03095A	PIPE-CONNECT SUCTION	GRANDCRU,CU,NATURAL	1	SA
9	DA32-10105F	SENSOR TEMP	502AT,ACE,-10~35,5V,5KOHM,90	1	SA
10	3903-000793	CBF-POWER CORD	AT,E.U,EU3F,3C,250V,16A,BLACK,1500,20/100/100/150, H05VV-F 0.75mm ² ,VDE,Y,N,N,N,Y	1	SNA
11	DA97-13562A	ASSY COVER-PCB PANEL	290, 310,GI,3050	1	SA
11-1	DA63-07420A	COVER-PCB PANEL	BMF,GI-SGCC,T0.5,3050	1	SA
12	DA97-13557B	ASSY HINGE LOW	3050(BMF)	1	SA
12-1	DA61-08990A	HINGE-LOW	3050PJ,PO-SPHC,T3.0,LMF	1	SA
12-2	DA61-08991B	GUIDE-AUTO CLOSE	3050PJ,PA66,HB,HG-0760G	1	SA
12-3	DA66-00385A	SHAFT-HINGE	CORE,SWCH10A,-,OD6,-,ZPC3{	1	SNA
12-4	DA81-01532A	SCREW-SPECIAL	CH,+,M5,L12,ZPC2(WHT),SWRC	1	SA
12-5	DA92-00464C	ASSY-PCB KIT LED	LED DISPLAY,3050,115*65.6, TACT S/W, BLUE LED, OUTER, CSZ	1	SA
13	DA61-09392A	LEG-FRONT	NCA-PJT,PP,-	2	SA
14	DA97-13564A	ASSY HINGE MID	3050_BMF	1	SA
15	DA63-07368B	COVER LAMP	3050,GPPS,T2.0,TP BLUE	1	SA
16	DA67-03647A	CAP-SPACE DOOR R	3050(BMF),ABS,INOX GRAY	1	SNA
17	DA67-03636A	CAP-SPACE DOOR L	3050 (BMF),ABS,INOX GRA	1	SA
18	DA61-08932A	CAP-CONTROL PANEL	3050,ABS,HB,HG-0760GP,	1	SA
19	DA63-07384A	COVER-WIRE HINGE R	3050,ABS,HB,INOX GRAY	1	SA
20	DA63-07385A	COVER-WIRE HINGE L	3050,ABS,HB,INOX GRAY	1	SA
21	DA97-13615A	ASSY COVER CONTROL-PANEL	3050PJT,ASSY,IN	1	SNA
21-1	DA63-07353A	COVER-CONTROL PANEL	3050,ABS,HB,INOX GRA	1	SNA
21-2	DA34-00043J	SWITCH REED	200VDC,0.5A,3050	1	SA
22	DA97-13567A	ASSY HINGE UPP	3050_BMF	1	SA
22-1	DA97-13566A	ASSY HINGE UPP-SUB	3050_BMF	1	SNA
22-2	DA66-00385A	SHAFT-HINGE	CORE,SWCH10A,-,OD6,-,ZPC3{	1	SNA
23	DA41-00519R	PBA-LED LAMP	DC 12V,3050-PJT	1	SA
24	DA97-13571A	ASSY COVER MULTI-REF	3050_BMF,COOL WHITE	1	SA
25	DA92-00735Q	ASSY PCB MAIN	BETTER,3050-PJT,148*197,230V,12V,5V,F-Fan, 2-Damper, Matrix, Reactor, Stiwa	1	SA
26	DA92-00459E	ASSY PCB INVERTER	INVERTER,3050,148*98.5mm,220V,16V,5V,MSV	1	SA

