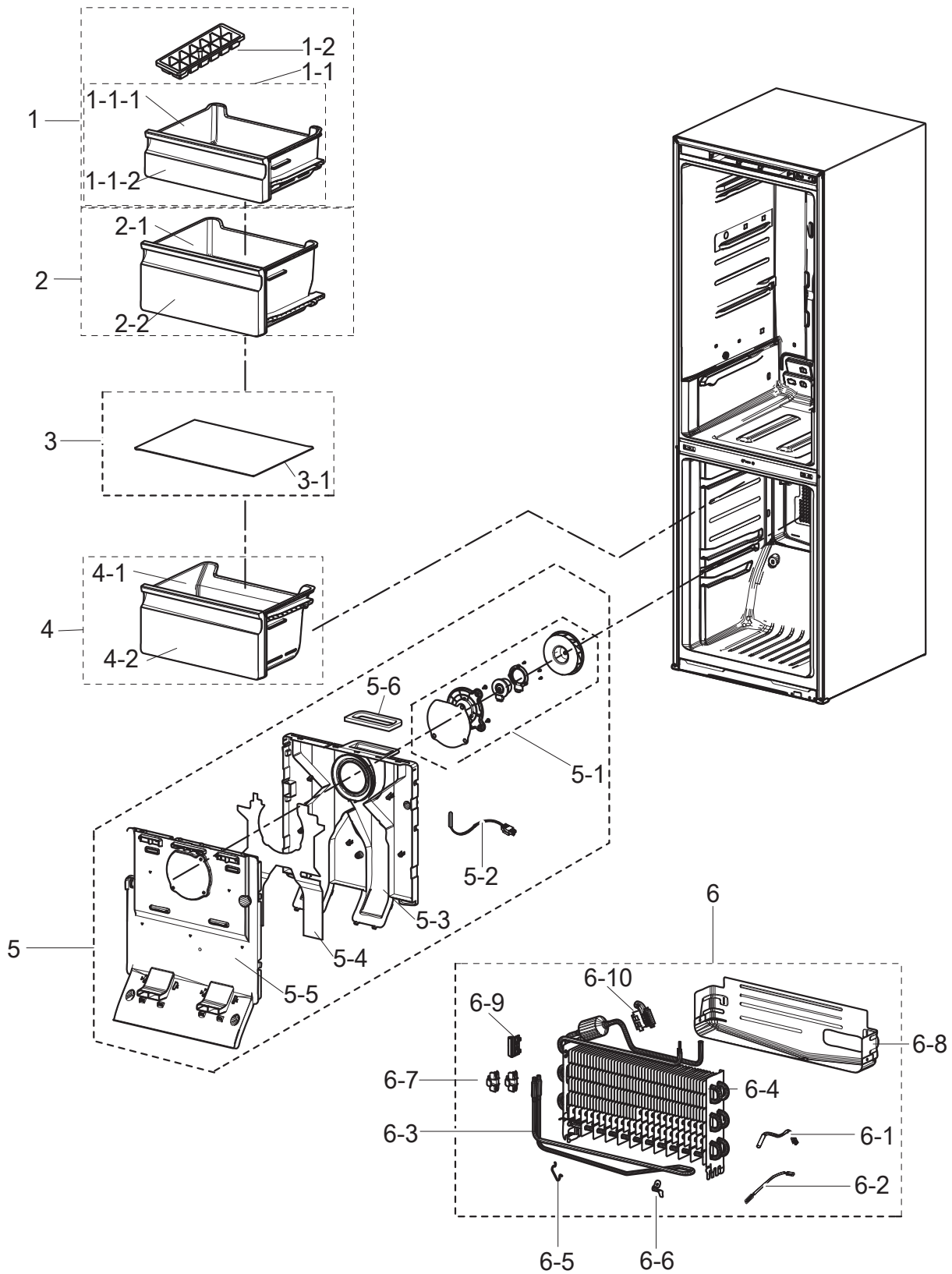


# EXPLODED VIEW PART LIST

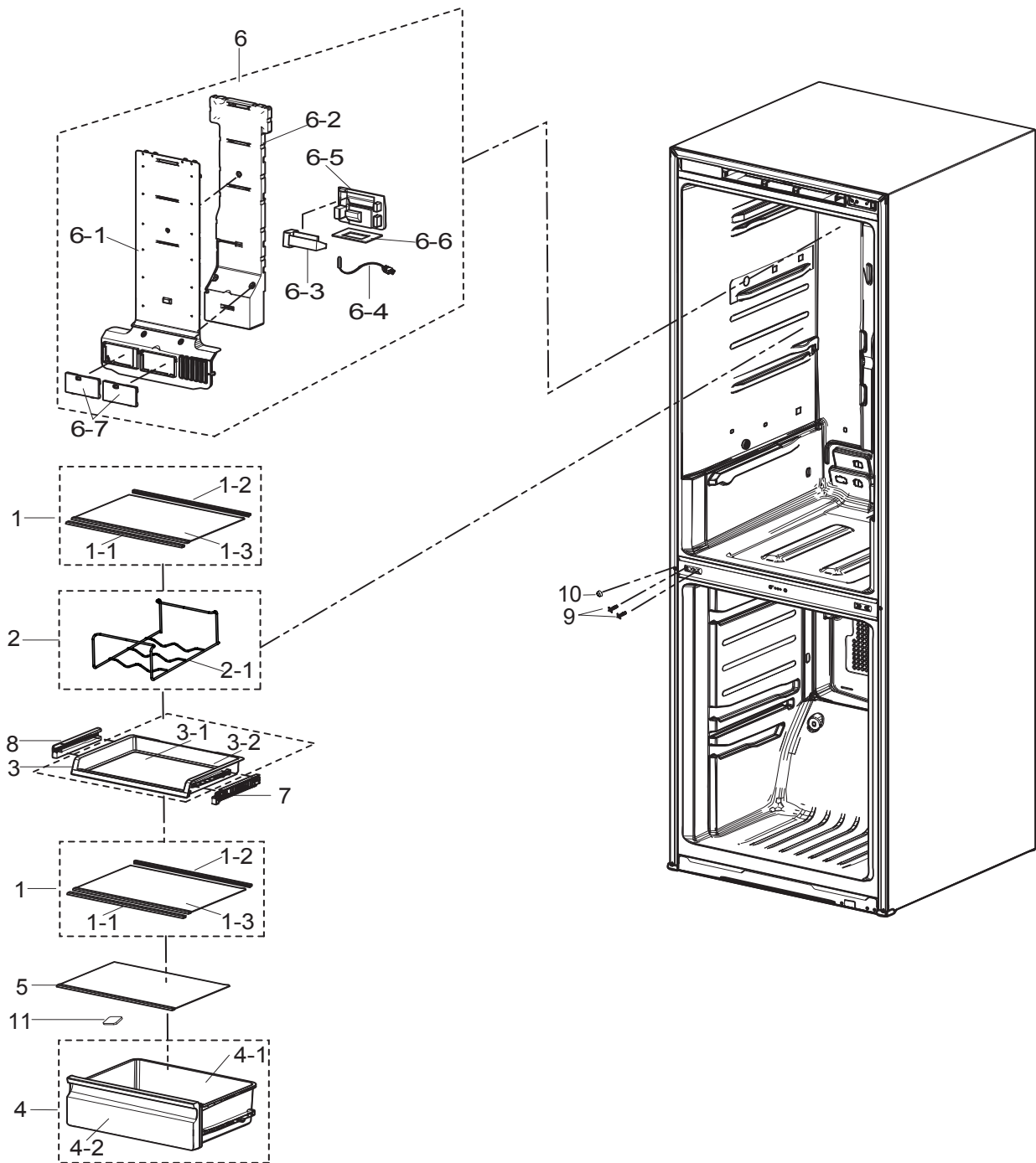
## Freezer





# EXPLODED VIEW PART LIST

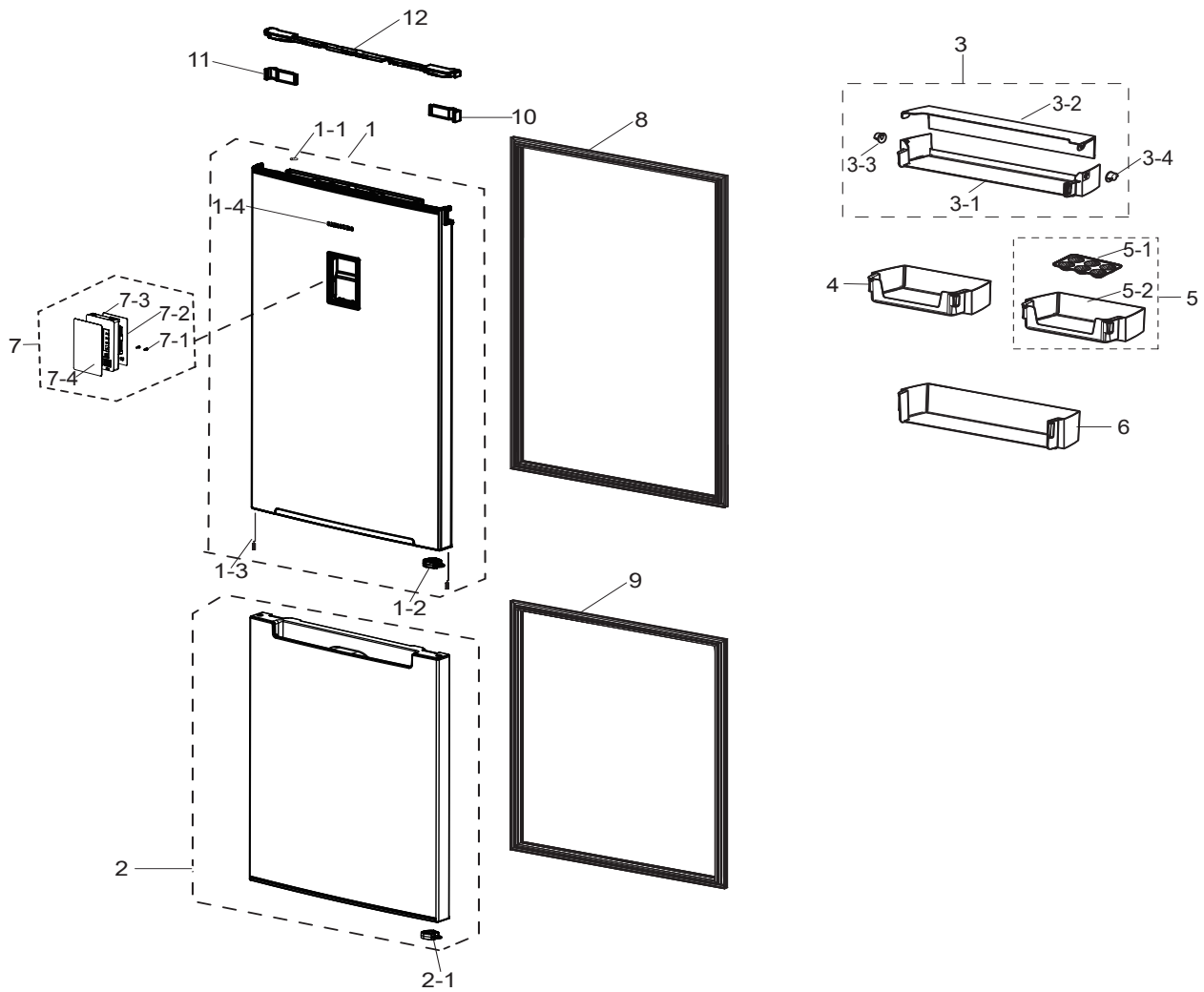
## Fridge





# EXPLODED VIEW PART LIST

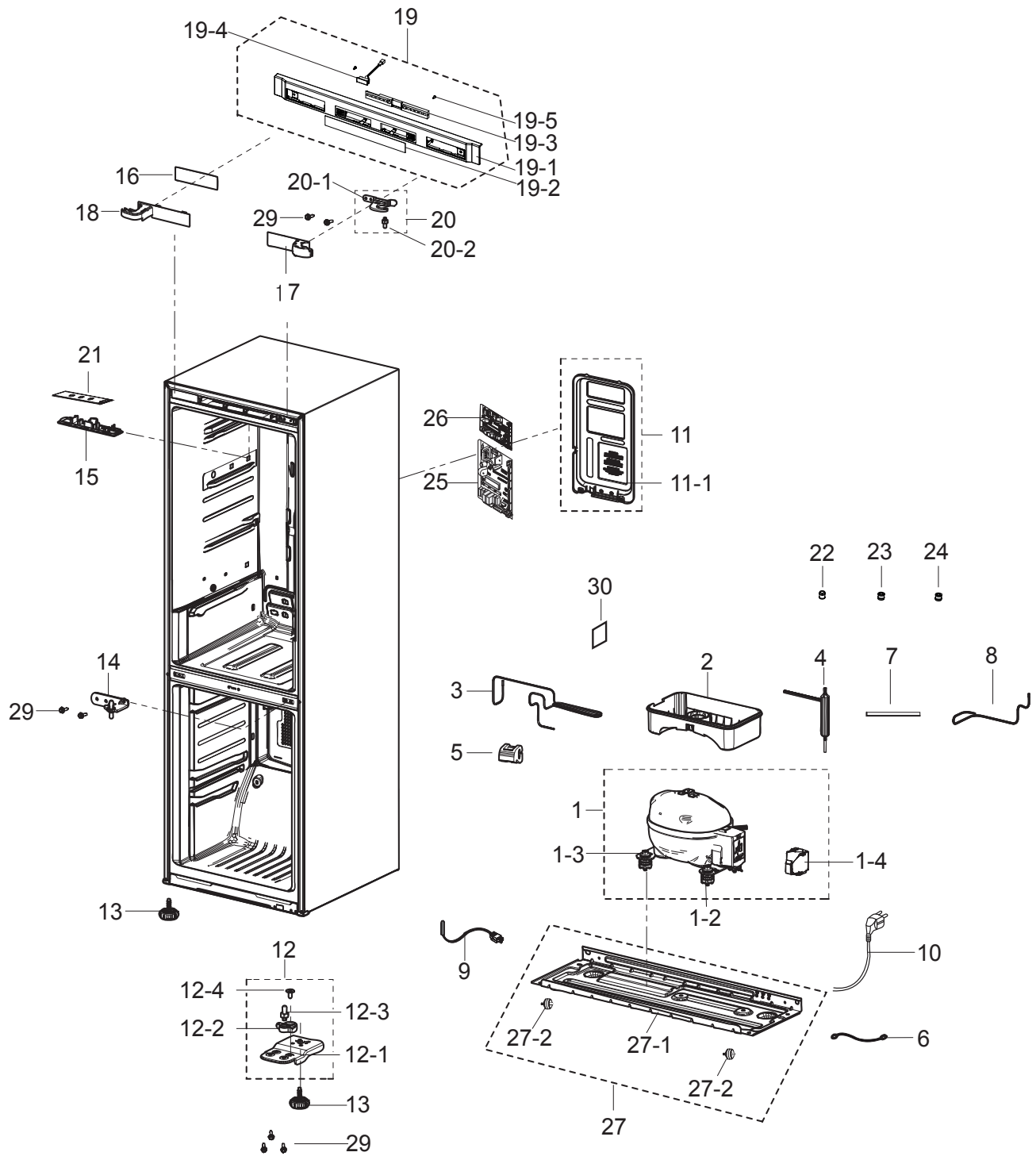
## Door





# EXPLODED VIEW PART LIST

## Cabinet



NO	CODE NO	PART NAME	Specification	Quantity	SA/SNA
<b>Parts List of Cabinet</b>					
NO	CODE NO	PART NAME	Specification	Quantity	SA/SNA
1	NC4AV80ALR/CF1	CMP,COMP,REFRIGERATOR,R600A		0	-
1-2	DA63-02617A	GROMMET COMP	USP05,EPDM,OD27.0,BLACK	4	SA
1-3	DA60-20008A	BOLT-HEX	M6,L43.6(28.1),ZPC(SILVER), D9.0, FLANGE,SWRCH10A	4	SC
1-4	DA63-06122A	COVER RELAY	MSV,MPPO,T2.0,BLACK,V-0	1	SNA
2	DA63-06630B	TRAY DRAIN-WATER	3050BMF(A1 COMP),PP,HB,TB53	1	SA
3	DA97-13649B	ASSY PIPE IMMERGING	3050 BMF,OD4.76,T0.7,SWST	1	SA
4	DA62-01469H	DRYER	C1220T-H,115,SINGLE MOUTH	1	SA
5	DA63-07475A	GROMMET-IMMERSION PIPE D	3050_LMF,NBR,20,20,BLACK,vibration-proofint	1	SNA
6	DA39-20389A	ASSY WIRE HARNESS-EARTH	ALL,FREE VOLT,UL+IEC,UL,ALL,EARTH,300mm,1,ST710489-3*2	1	SNA
7	DA73-00050G	PIPE-CONN	Cu,OD6.35,T0.6	1	SA
8	DA62-03095A	PIPE-CONNECT SUCTION	GRANDCRU,C1220T-O,OD6.35,0.6	1	SA
9	DA32-10105F	SENSOR TEMP	502AT,PX-41C,DKST1329GW,ACE,-40~120.5V,TPA APPLIED,WHITE,250	1	SA
10	3903-000793	CBF-POWER CORD	AT,E.U,EU3F,3C,250V,16A,BLACK,1500,20/100/100/150,H05VV-F 0.75mm <sup>2</sup> ,VDE,Y,N,N,N,Y	1	SNA
11	DA97-13562A	ASSY COVER-PCB PANEL	290, 310,GI,3050	1	SA
11-1	DA63-07420A	COVER-PCB PANEL	BMF,GI-SGCC,T0.5,3050	1	SNA
12	DA97-13557A	ASSY HINGE LOW	3050_BMF	1	SA
12-1	DA61-08990A	HINGE-LOW	3050PJ,PO-SPHC,T3.0,LMF	1	SA
12-2	DA61-08991A	GUIDE-AUTO CLOSE	3050PJ,PA66,NTR,LMF	1	SA
12-3	DA66-00385A	SHAFT-HINGE	CORE,SWRCH10A,NATURAL,ZPC3(WHT)	1	SNA
12-4	DA81-01532A	SCREW-MACHINE	CH,+,M5,L12.7,ZPC(WHT),SWRCH18A,1	1	SA
13	DA61-09392A	LEG-FRONT	NCA-PJT,PP,BLACK	2	SA
14	DA97-13564A	ASSY HINGE MID	3050_BMF	1	SA
15	DA63-07368B	COVER LAMP	3050,GPPS,T2.0,TP BLUE	1	SA
16	DA61-08932B	CAP CONTROL-PANEL	3050,ABS,HB,HG-0760GP,SNOW WHITE,WT0048	1	SA
17	DA63-07384B	COVER WIRE-HINGE R	3050,ABS,HB,SNOW WHITE,HG-0760GP,WT0048	1	SA
18	DA63-07385B	COVER WIRE-HINGE L	3050,ABS,HB,SNOW WHITE,HG-0760GP,WT0048	1	SA
19	DA97-13131B	ASSY COVER CONTROL-PANEL	3050PJT BMF,ASSY,Snow White(WT0048),Inner Display	1	SA
19-1	DA63-07352B	COVER-CONTROL PANEL	3050,ABS,HB,SNOW WHITE,HG-0760GP,WT0048	1	SA
19-2	DA64-04355C	INLAY-DISPLAY	3050_BMF,PC,SNOW WHITE,T0.38,BACK PRINTING	1	SA
19-3	DA92-00465A	ASSY-PCB KIT LED	LED DISPLAY,3050,226*22, TACT S/W, BLUE LED, INNER	1	SA
19-4	DA34-00043J	SWITCH REED	UL1007 AWG 22,50mm	1	SA
19-5	6002-000630	SCREW-TAPPING	PH,+,NO,2S,M3,L8,ZPC(WHT),SWRCH18A	2	SNA
20	DA97-13567A	ASSY HINGE UPP	3050_BMF	1	SA
20-1	DA97-13566A	ASSY HINGE UPP-SUB	3050_BMF	1	SA
20-2	DA66-00385A	SHAFT-HINGE	CORE,SWRCH10A,NATURAL,ZPC3(WHT)	1	SNA
21	DA41-00519R	ASSY LAMP LED	3ea,CEM-1.65*10,WHITE,SMAW250-03G or-H03G,45mA~75mA,DC12V,MIN 25lx	1	SA
22	DA60-00279A	FITTING-LOKRING 16	SUM23,16	1	SA
23	DA60-00280A	FITTING-LOKRING 33	SUM23,33	1	SA
24	DA60-00281A	FITTING LOKRING	SUM23,St 56	1	SNA
25	DA92-00849A	ASSY PCB MAIN	BETTER,3050-PJT,148*197,230V,12V,5V,F-FAN, 1-DAMPER, MATRIX, REACTOR, A1 COMP	1	SA
26	DA92-00459P	ASSY PCB INVERTER	INVERTER,3050,148*98.5mm,220V,16V,5V,A1	1	SA



