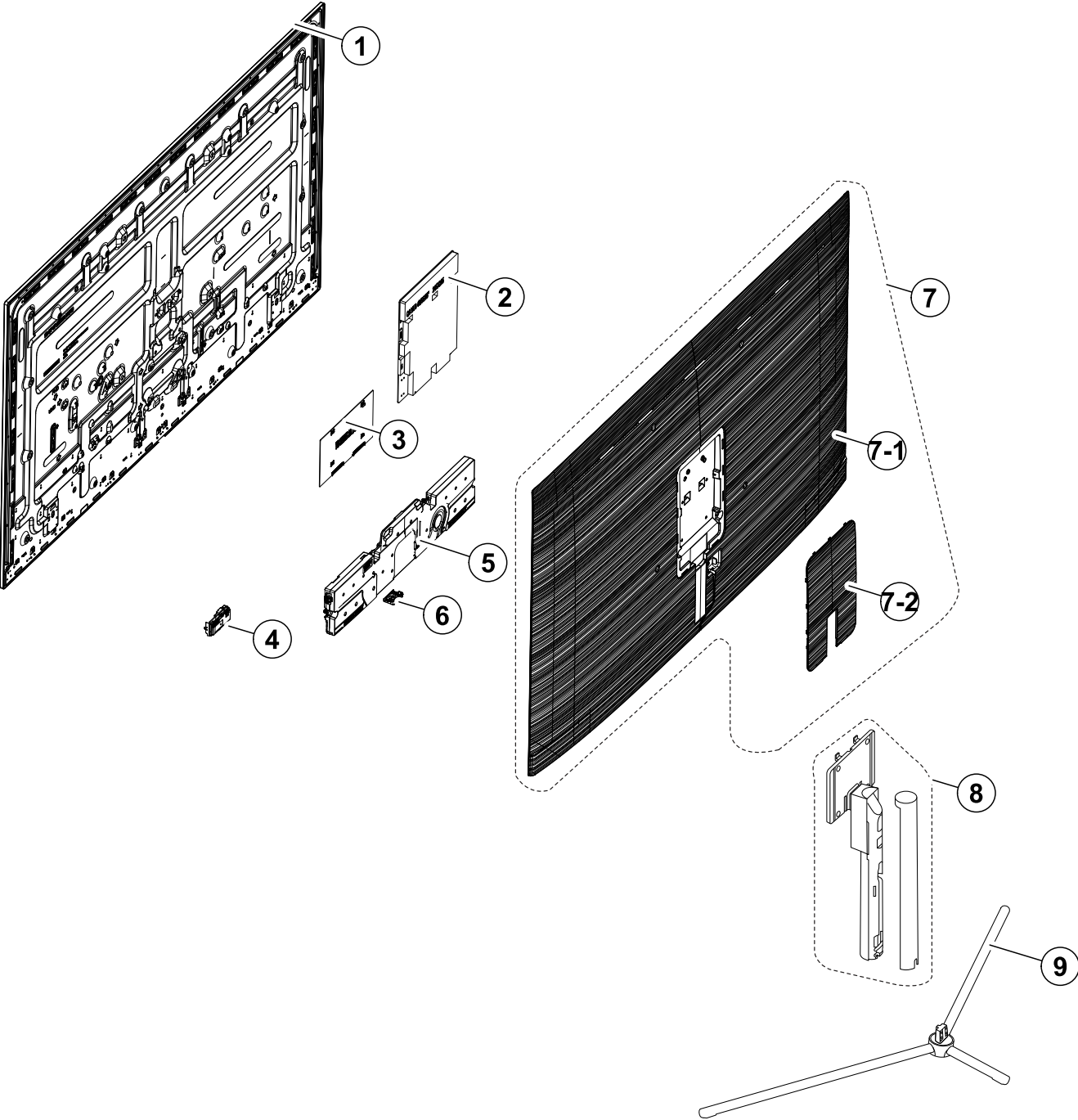


1. Exploded View & Part List

Exploded View

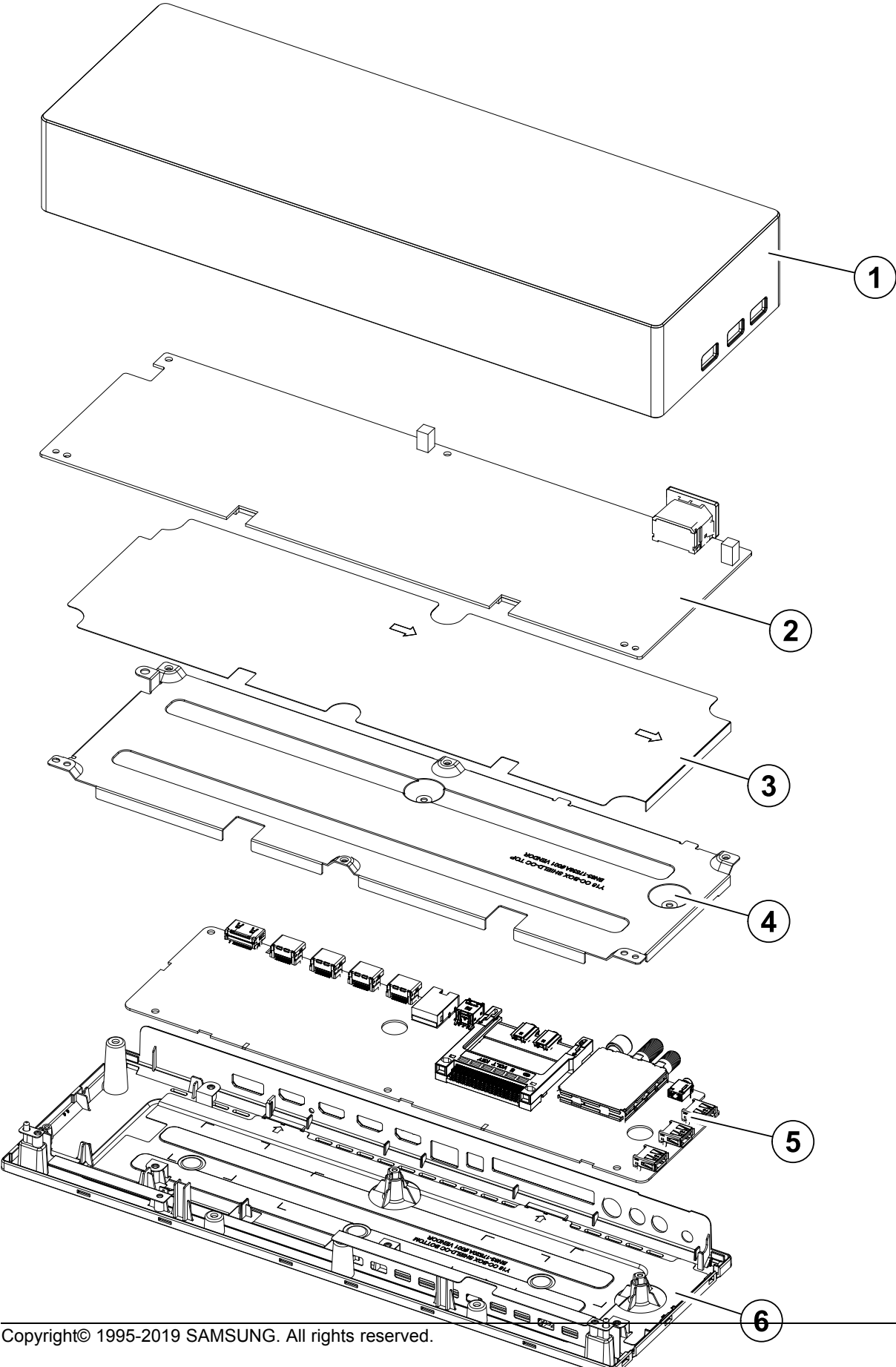


Parts List

No.	Lvl.	Loc.	Material Code	Description & Specification	SNA	Qty.
1	2	PANEL	BN95-04909A	PRODUCT LCD-AUO; CY-QN065FLAV3V/H,Q7F,Bas	SA	1
2	2		BN44-00934A	DC VSS-POWER BOARD; P270NQ_NPN,AC/DC,270W	SA	1
3	2	M0014	BN94-12832K	ASSY PCB MAIN; 65QNQ7FC	SA	1
4	2		BN59-01264B	NETWORK-WLAN CLIENT; WCM730Q,78.3x29.3x7.	SA	1
5	2		BN96-45634A	ASSY SPEAKER P-FRONT; TV-SPK,QNQ7FC,6ohm,	SA	1
6	2		BN96-45910A	ASSY BOARD P-FUNCTION TACT; Y18 Q7F/Q8C,C	SA	1
7	2	R001A	BN96-46856A	ASSY COVER P-REAR; 65QNQ8FU,PC+ABS+ED20%,	SA	1
7-1	3	R001	BN63-17737A	COVER-REAR; 65QNQ8FR,PC+ABS+ED20%,V-1,GY0	SNA	1
7-2	3		BN63-17584A	COVER-CLEAN BACK STAND; 55QNQ8CN,PC+ABS+E	SNA	1
8	2		BN96-46880A	ASSY STAND P-BRACKET NECK; 65QNQ8FU,ALDC,	SA	1
9	2		BN96-46882A	ASSY STAND P-BRACKET BOTTOM; 65QNQ8FU,ALD	SA	1

2. ONE CONNECT Exploded View & Part List

ONE CONNECT Exploded View



Parts List

No.	Lvl.	Loc.	Material Code	Description & Specification	SNA	Qty.
1	2		BN96-45940A	ASSY COVER P-OC TOP; 65Q9FA,PC,V-2,TP00	SA	1
2	2		BN44-00934A	DC VSS-POWER BOARD; P270NQ_NPN,AC/DC,270W	SA	1
3	2		BN63-17541A	INSULATOR-SMPS; 65Q9FA,PC,BLACK,L119.8,	SNA	1
4	2		BN63-17538A	SHIELD-OC TOP; 65Q9FA,EGI-SECC,T0.8	SNA	1
5	2		BN94-12954N	ASSY PCB OC; Q9FA	SA	1
6	2		BN96-45941D	ASSY COVER P-OC BOTTOM; 65Q9FA,PC+ABS+G	SA	1

3. Electrical Parts List

Level	Loc.	Part Code	Description & Specification	Qty.	SA/SNA
			QE65Q8FNATXXC (AA02)		
1		BN90-00057D	ASSY W/I;Q8FU	1	SNA
.2		BN81-08159Z	A/S PART SET-ELEC W/I;LED TV ELEC spec-C	1	SNA
.2		BN81-16100V	A/S PART SET-MECH W/I;Q8FU,Q65NU*	1	SNA
1	R001A	BN90-09505Z	ASSY COVER REAR;Q8CB	1	SNA
.2	R001A	BN96-46856A	ASSY COVER P-REAR;65Q8FU,PC+ABS+ED20%,	1	SA
..3		AK63-00658A	GASKET;Q7F/Q8C/Q9F,AI,T0.07,W40,L30,SILV	1	SNA
..3		BN61-13387A	HOLDER-COVER;55KU6500,TPE,BLACK,HB	2	SNA
..3		BN63-17584A	COVER-CLEAN BACK STAND;55Q8CN,PC+ABS+E	1	SNA
..3	R001	BN63-17737A	COVER-REAR;65Q8FR,PC+ABS+ED20%,V-1,GY0	1	SNA
...4		0103-011172	RESIN PC ABS;NH-1214/G51968,Metal Gray,G	5110	SNA
..3		BN68-07835Q	LABEL-STICKER LICENSE;65Q8CB,PET,T0.12	1	SNA
..3	T0382	BP61-00492C	TAPE SINGLE FACE;ACRYL,ACRYL,T0.25,W50,L	1	SNA
1	S001A	BN90-09592V	ASSY STAND;Q8CB	1	SNA
.2		BN96-46880A	ASSY STAND P-BRACKET NECK;65Q8FU,ALDC,	1	SA
..3	SCREW	6003-000275	SCREW-TAPTYPE;BH,+,B,M3,L10,ZPC(BLK),SWR	3	SA
..3		6902-002462	BAG PE;HDPE/PE FOAM,T0.015/T0.5,W100,L50	1	SNA
..3		6902-002783	BAG PE;HDPE/PE FOAM,-,T0.015/T0.5,W200,L	1	SNA
..3	M0114	BN61-03259A	HOLDER-STAND CABLE;65Q8C,PA66,T1,BLACK,V	2	SNA
..3		BN61-15726A	BRACKET-STAND NECK FRONT;55Q8CB,ABS,NA	2	SNA
..3		BN61-15854A	BRACKET-STAND NECK;65Q8FC,ALDC,BLACK	1	SNA
..3		BN63-17740A	COVER-STAND NECK REAR;65Q8FC,ABS,HB,BK	1	SNA
..3		BN63-17741A	COVER-STAND NECK FRONT;65Q8FC,ABS,HB,B	1	SNA
..3		BN96-36261A	ASSY ACCESSORY-SCREW;JU7000 75",6003-001	2	SNA
...4	SCREW	6003-001334	SCREW-TAPTYPE;BH,+,S,M4,L14,ZPC(BLK),SWR	8	SA
...4		6902-002476	BAG SCREW;LDPE,T0.05*,W70,L90,TRP,RECYCL	2	SNA
.2		BN96-46882A	ASSY STAND P-BRACKET BOTTOM;65Q8FU,ALD	1	SA
..3	SCREW	6003-001334	SCREW-TAPTYPE;BH,+,S,M4,L14,ZPC(BLK),SWR	4	SA
..3		6902-002930	BAG PE;HDPE/PE FOAM,T0.015/T0.5,W120,L40	1	SNA
..3		BN61-04692A	ADHESIVE-AA;94PRIMER,CLEAR,C043	0	SNA
..3		BN61-06871A	BOSS-BOND;UC9000,Dimethacrylate ester,Re	0	SNA
..3	RF01	BN61-13520F	FOOT-RUBBER;55Q8,RUBBER,GRAY,W6,L25,T3	3	SNA
..3		BN61-15855A	BRACKET-STAND BOTTOM;65Q8FC,ALDC,BLACK	1	SNA
..3		BN63-17739A	COVER-STAND TOP REAR;65Q8FC,STS201,ECL	1	SNA
..3		BN63-17742A	COVER-STAND TOP;65Q8FC,ABS,HB,BK0007	1	SNA
..3		BN63-17743A	COVER-STAND TOP FRONT;65Q8FC,STS201,EC	1	SNA
..3		BN63-17744A	COVER-STAND BOTTOM;65Q8FC,ABS,HB,BK000	1	SNA
...4		0103-004609	RESIN ABS;HF-0680U,K21294,BK0007,HB,High	187	SNA

Exploded Views and Parts List

Level	Loc.	Part Code	Description & Specification	Qty.	SA/SNA
...3	RF01	BN67-00398L	FOOT-RUBBER;UH6K,RUBBER,GRAY,T2,,	1	SNA
...3		BN68-05603A	LABEL-E PASS;ART,W/W,90g	3	SNA
...3		BN69-15987D	BAG ACCESSORY;LDPE,T0.05,L600,W40,Transp	2	SNA
1		BN91-19745A	ASSY SHIELD;65QNQ7FC	1	SNA
.2		6001-003168	SCREW-MACHINE;CH,+,M3,L5,ZPC(BLK),SWRCH1	2	SNA
.2		BN02-00102B	TAPE-SINGLE FACE;FILAMENT,#8917,T0.15,W2	0	SNA
.2		BN39-02211H	LEAD CONNECTOR-SUB ASSY;82NU8000,UL21451	1	SA
.2		BN39-02223D	LEAD CONNECTOR-SUB ASSY;32K5300,UL21016,	1	SA
.2		BN39-02403A	LEAD CONNECTOR-POWER;65/75Q7F/Q8C,UL2151	1	SA
.2		BN44-00940A	DC VSS-DRIVER BOARD;L65E7NQ_NHS,DC/DC,21	1	SA
.2		BN59-01264B	NETWORK-WLAN CLIENT;WCM730Q,78.3x29.3x7.	1	SA
.2		BN61-15579A	HOLDER-WIFI;65UNU8000F,ABS,BK0007,HB	1	SNA
...3		0103-004609	RESIN ABS;HF-0680U,K21294,BK0007,HB,High	12	SNA
.2		BN68-09258A	LABEL ETC;ALL MODEL,PP,T0.08,W40,L40,160	1	SNA
.2		BN96-45634A	ASSY SPEAKER P-FRONT;TV-SPK,QNQ7FC,6ohm,	1	SA
.2		BN96-45910A	ASSY BOARD P-FUNCTION TACT;Y18 Q7F/Q8C,C	1	SA
.2		BN96-46132A	FFC CABLE;Q7F/Q8C/Q9F,Straight,L115,96P,	2	SA
1	M0017	BN91-19753B	ASSY CHASSIS;65QNQ7FC	1	SNA
.2	M0014	BN94-12832K	ASSY PCB MAIN;65QNQ7FC	1	SA
...3		BN62-00852A	HEAT SINK-PS;QN65Q9FANFXZA,A1050,W200,L1	1	SNA
...3		BN63-17761A	SHEET-PC;QNQ8CB,PC,T0.125,W20,L67,BLACK	1	SNA
...3		BN97-14017C	ASSY SMD;55QNQ7FC	1	SNA
...4		0202-001899	SOLDER-CREAM;M705-GRN360-K2-VT,20-38um,S	6	SNA
...4		0403-002014	DIODE-ZENER;KDZ16B,16.2~18.3V,1000mW,SOD	1	SNA
...4		0404-001404	DIODE-SCHOTTKY;BAT721C,40V,200mA,SOT-23,	2	SA
...4		0404-001640	DIODE-SCHOTTKY;SS1060HEWS,60V,1000mA,SOD	2	SA
...4		0404-001953	DIODE-SCHOTTKY;MBRA340F-HAF,40V,3000mA,S	3	SA
...4		0404-001976	DIODE-SCHOTTKY;SV540,40V,5000mA,TO-277,T	1	SA
...4		0406-001200	DIODE-TVS;RClamp0504F,6V,1MAV,TP	7	SA
...4		0406-001562	DIODE-TVS;ESD7951ST5G,5.4V,1MAV,5VPA,TP	1	SA
...4		0406-001718	DIODE-TVS;SMF36A,40V,44.2V,3.8MAV,1.25VP	1	SA
...4		0406-001778	DIODE-TVS;PUSB3FR4,6V,9V,0.2MAV,0.7VPA,0	10	SA
...4		0501-000445	TR-SMALL SIGNAL;KTC3875S-Y,NPN,150mW,SOT	8	SC
...4		0504-000126	TR-DIGITAL;KSR1101,NPN,200mW,4.7K/4.7K,S	1	SA
...4		0505-001844	FET-SILICON;SI4435DDY-T1-GE3,P,30V,-11.4	1	SA
...4		0505-002598	FET-SILICON;AP2317GN,P,20V,-4.2A,0.052oh	5	SA
...4		0505-002660	FET-SILICON;Si2308BDS,N,60V,2.3A,0.156oh	1	SA
...4		0505-002790	FET-SILICON;ZXMP6A17G,P,60V,-4.3A,0.190o	1	SA
...4		0505-002893	FET-SILICON;AO4801AS,P,30V,-5A,2W,SOIC-8	2	SA
...4		0505-003205	FET-SILICON;DMG4435SSS-13,P,30V,-7.3A,1.	1	SA

Level	Loc.	Part Code	Description & Specification	Qty.	SA/SNA
...4		0505-003391	FET-SILICON;AOD2922,N,100V,8A,140Mohm,18	1	SA
...4		0505-003397	FET-SILICON;2N7002K,N,60V,0.38A,1.19ohm,	10	SA
...4		1003-002949	IC-LEVEL DRIVER;VLS2SM,QFN,40P,6x6x0.9mm	1	SA
...4		1103-001564	IC-EEPROM;S-24C512CI-J800,512Kbit,64Kx8,	1	SA
...4		1105-002896	IC-DDR4 SDRAM;MT53B256M32D1,LPDDR4-SDRAM	1	SA
...4		1105-002933	IC-DDR4 SDRAM;MT53B384M32D2NP-062 WT:B,L	1	SA
...4		1201-000166	IC-OP AMP;LM358,SOP,ST,8P,150MIL,DUAL,10	1	SA
...4		1201-004170	IC-AUDIO AMP;TAS880021A,TSSOP,48P,12.5x6	3	SA
...4		1203-008139	IC-DC/DC CONVERTER;TPS56C20PWPR,HTSSOP,2	1	SNA
...4		1203-008777	IC-DC/DC CONVERTER;TPS563201,SOT-23,6,1.	6	SA
...4		1203-008920	IC-DC/DC CONVERTER;SYD105ADC,TSOT23,6P,2	1	SA
...4		1203-009057	IC-POS.ADJUST REG.;G943F11U,SOP-8,8P,4.	4	SA
...4		1203-009063	IC-DC/DC CONVERTER;VPM2SM,QFN,56P,7x7x0.	1	SA
...4		1203-009069	IC-DC/DC CONVERTER;TPS566250,SOP,8P,6.2x	1	SA
...4		1204-003753	IC-DECODER;SDP1703,FCBGA,1147P,31x31x2.1	1	SA
...4		1204-003758	IC-DECODER;SDP1715,TFBGA,227P,13x13x1.54	1	SA
...4		1205-005749	IC-SWITCH;G2897KD1U,TDFN2X3-14,14P,2x3mm	2	SA
...4	IS01	1209-002183	IC-SENSOR;S-5851AAA-M6T1U,SOT,6Z30,2.9x1	1	SA
...4		1404-001731	THERMISTOR-NTC;33Kohm,4050K,1mW/C,TP,1.6	1	SNA
...4		1405-001185	VARISTOR;500V,24VDC,1608,TP,150V,0.055pF	1	SA
...4		1405-001232	VARISTOR;6.4V,5.6VDC,30A,1608,TP,19V,200	22	SNA
...4		1405-001271	VARISTOR;35V,20VDC,5A,1005,TP,100V,10pF	17	SA
...4		1405-001381	VARISTOR;11V,8VDC,30A,1608,TP,25V,500pF	8	SA
...4		1405-001382	VARISTOR;24.5V,16VDC,120A,2012,TP,42V,40	5	SA
...4		2007-000039	R-CHIP;0ohm,1%,1/10W,TP,1608	4	SA
...4		2007-000052	R-CHIP;10Kohm,1%,1/10W,TP,1608	1	SA
...4		2007-000066	R-CHIP;20Kohm,1%,1/10W,TP,1608	1	SNA
...4		2007-000070	R-CHIP;0ohm,5%,1/10W,TP,1608	13	SA
...4		2007-000137	R-CHIP;2Kohm,5%,1/16W,TP,1005	8	SNA
...4		2007-000140	R-CHIP;1Kohm,5%,1/16W,TP,1005	1	SNA
...4		2007-000143	R-CHIP;4.7Kohm,5%,1/16W,TP,1005	12	SNA
...4		2007-000148	R-CHIP;10Kohm,5%,1/16W,TP,1005	24	SA
...4		2007-000475	R-CHIP;1Mohm,1%,1/10W,TP,1608	1	SA
...4		2007-000683	R-CHIP;3.3Kohm,1%,1/10W,TP,1608	1	SA
...4		2007-000772	R-CHIP;33Kohm,1%,1/10W,TP,1608	1	SA
...4		2007-000816	R-CHIP;390Kohm,1%,1/10W,TP,1608	1	SNA
...4		2007-000932	R-CHIP;470ohm,5%,1/16W,TP,1005	6	SNA
...4		2007-000979	R-CHIP;5.6Kohm,1%,1/10W,TP,1608	1	SA
...4		2007-001125	R-CHIP;68Kohm,1%,1/10W,TP,1608	2	SA
...4		2007-001139	R-CHIP;7.5Kohm,1%,1/10W,TP,1608	2	SA

Exploded Views and Parts List

Level	Loc.	Part Code	Description & Specification	Qty.	SA/SNA
...4		2007-002425	R-CHIP;1ohm,5%,1/10W,TP,1608	2	SNA
...4		2007-002899	R-CHIP;10ohm,1%,1/10W,TP,1608	20	SA
...4		2007-002906	R-CHIP;200Kohm,1%,1/10W,TP,1608	1	SA
...4		2007-007131	R-CHIP;13Kohm,1%,1/16W,TP,1005	2	SA
...4		2007-007132	R-CHIP;15Kohm,1%,1/16W,TP,1005	3	SA
...4		2007-007136	R-CHIP;4.7Kohm,1%,1/16W,TP,1005	76	SNA
...4		2007-007139	R-CHIP;47Kohm,1%,1/16W,TP,1005,T0.35	3	SA
...4		2007-007305	R-CHIP;120ohm,1%,1/16W,TP,1005	1	SNA
...4		2007-007310	R-CHIP;8.2Kohm,1%,1/16W,TP,1005	3	SA
...4		2007-007311	R-CHIP;22Kohm,1%,1/16W,TP,1005	4	SA
...4		2007-007313	R-CHIP;6.8Kohm,1%,1/16W,TP,1005	11	SA
...4		2007-007316	R-CHIP;3.3Kohm,1%,1/16W,TP,1005	2	SNA
...4		2007-007317	R-CHIP;2.2Kohm,1%,1/16W,TP,1005	1	SA
...4		2007-007517	R-CHIP;240ohm,1%,1/16W,TP,1005	5	SNA
...4		2007-007520	R-CHIP;20ohm,1%,1/10W,TP,1608	14	SA
...4		2007-007528	R-CHIP;1.5Kohm,1%,1/16W,TP,1005	3	SA
...4		2007-007588	R-CHIP;1.8Kohm,1%,1/16W,TP,1005	2	SA
...4		2007-007643	R-CHIP;2Mohm,1%,1/10W,TP,1608	1	SA
...4		2007-007733	R-CHIP;51ohm,1%,1/10W,TP,1608	3	SA
...4		2007-007736	R-CHIP;510Kohm,1%,1/10W,TP,1608	1	SA
...4		2007-007798	R-CHIP;10ohm,1%,1/16W,TP,1005,T0.35	5	SA
...4		2007-007992	R-CHIP;1ohm,1%,1/10W,TP,1608	3	SA
...4		2007-008067	R-CHIP;21Kohm,1%,1/10W,TP,1608	1	SA
...4		2007-008134	R-CHIP;12.4Kohm,1%,1/16W,TP,1005	1	SC
...4		2007-008294	R-CHIP;33ohm,1%,1/16W,TP,1005	6	SA
...4		2007-008298	R-CHIP;49.9ohm,1%,1/16W,TP,1005	13	SA
...4		2007-008596	R-CHIP;0.1ohm,1%,1/4W,TP,3216	3	SC
...4		2007-008779	R-CHIP;0ohm,1%,1/16W,TP,1005	3	SA
...4		2007-009322	R-CHIP;1.3Kohm,1%,1/16W,TP,1005	1	SA
...4		2007-009777	R-CHIP;4.99Kohm,1%,1/16W,TP,1005	1	SA
...4		2011-001261	R-NETWORK;33ohm,5%,1/16W,L,CHIP,8P,TP,2.	8	SA
...4		2011-001264	R-NETWORK;10ohm,5%,1/16W,L,CHIP,8P,TP,2.	13	SNA
...4		2011-001344	R-NETWORK;100ohm,5%,1/16W,L,CHIP,8P,TP,2	11	SA
...4		2011-001448	R-NETWORK;10ohm,5%,1/16W,L,4P,TP,1.0x1.0	2	SA
...4		2011-001519	R-NETWORK;33OHM,5%,1/16W,L,CHIP,4P,TP,1.	5	SA
...4		2011-001527	R-NETWORK;4.7Kohm,5%,1/16W,L,CHIP,4P,TP,	2	SNA
...4		2011-001587	R-NETWORK;100ohm,5%,1/16W,L,CHIP,4P,TP,1	7	SNA
...4		2011-001589	R-NETWORK;0ohm,5%,1/16W,L,CHIP,4P,TP,1.0	3	SNA
...4	AD480	2203-000278	C-CER,CHIP;0.01nF,0.5pF,50V,C0G,TP,1005	5	SA
...4	AD480	2203-000940	C-CER,CHIP;0.47nF,10%,50V,X7R,TP,1005,T0	4	SA

Level	Loc.	Part Code	Description & Specification	Qty.	SA/SNA
...4	AD480	2203-001428	C-CER,CHIP;470nF,10%,50V,X7R,TP,2012	1	SNA
...4	AD480	2203-002285	C-CER,CHIP;10nF,10%,50V,X7R,TP,1005	21	SNA
...4	AD480	2203-002525	C-CER,CHIP;0.56nF,10%,50V,X7R,TP,1005	1	SNA
...4	AD480	2203-005054	C-CER,CHIP;0.0047nF,0.25pF,50V,C0G,TP,10	1	SA
...4	AD480	2203-005057	C-CER,CHIP;0.0082nF,0.25pF,50V,C0G,TP,10	2	SA
...4	AD480	2203-005083	C-CER,CHIP;220nF,10%,50V,X7R,TP,1608,T0.	12	SA
...4	AD480	2203-006048	C-CER,CHIP;100nF,10%,10V,X7R,TP,1005	18	SA
...4	AD480	2203-006158	C-CER,CHIP;100nF,10%,16V,X7R,TP,1005,T0.	201	SNA
...4	AD480	2203-006391	C-CER,CHIP;1000nF,10%,10V,X7R,TP,1608	1	SNA
...4	AD480	2203-006698	C-CER,CHIP;1000nF,10%,25V,X7R,TP,1608,T0	11	SNA
...4	AD480	2203-006841	C-CER,CHIP;1000nF,10%,16V,X5R,TP,1005	28	SNA
...4	AD480	2203-006844	C-CER,CHIP;470nF,10%,10V,X5R,TP,1005	2	SA
...4	AD480	2203-007176	C-CER,CHIP;10000nF,10%,16V,X5R,TP,2012,T	17	SNA
...4	AD480	2203-007240	C-CER,CHIP;22000nF,20%,6.3V,X5R,TP,1608,	89	SA
...4	AD480	2203-007269	C-CER,CHIP;22000nF,20%,10V,X5R,TP,2012(2	25	SA
...4	AD480	2203-007306	C-CER,CHIP;10000nF,10%,25V,X5R,TP,2012,T	42	SNA
...4	AD480	2203-007393	C-CER,CHIP;4700nF,10%,10V,X5R,TP,1005,T0	16	SNA
...4	AD480	2203-007423	C-CER,CHIP;10000nF,10%,35V,X7R,TP,3216	4	SA
...4	AD480	2203-007795	C-CER,CHIP;10000nF,20%,10V,X5R,TP,1005,T	99	SA
...4	AD480	2203-008096	C-CER,CHIP;2200nF,10%,50V,X5R,TP,2012,1.	2	SA
...4	AD480	2203-008412	C-CER,CHIP;4700nF,10%,50V,X5R,TP,2012,T1	2	SNA
...4		2409-001240	C-ORGANIC,SMD;33uF,20%,25V,LR,TP,7343(1.	1	SA
...4		2601-001056	TRANS-SMD,PULSE;350UH,-,1:1,1:1,12.7X6.7	1	SA
...4		2703-003747	INDUCTOR-SMD;22uH,20%,6060,0.135ohm,1300	2	SA
...4		2703-003862	INDUCTOR-SMD;10uH,20%,6060,0.065ohm,1900	5	SA
...4		2703-003937	INDUCTOR-SMD;1uH,20%,70647,T3,0.008Ohm,9	1	SA
...4		2703-004724	INDUCTOR-SMD;8.2uH,20%,5050,T4,0.072Ohm,	12	SA
...4		2703-005193	INDUCTOR-SMD;2.2uH,20%,6060,T4.5,0.024Oh	2	SA
...4		2703-005376	INDUCTOR-SMD;10uH,20%,10.7x10mm,T3.8,0.0	1	SA
...4		2801-000102	CRYSTAL-SMD;12MHz,30ppm,12pF,100ohm,TP	4	SA
...4		2801-004021	CRYSTAL-SMD;24.576MHz,20ppm,28-AAN,12pF,	1	SA
...4		3301-001364	BEAD-SMD;1000ohm,1608,TP,1085ohm/108MHz,	6	SNA
...4		3301-001901	BEAD-SMD;220ohm,1608,TP,220ohm/100MHz	23	SA
...4		3301-002039	BEAD-SMD;26ohm,1608,TP	70	SA
...4		3708-003241	CONNECTOR-FPC/FFC/PIC;96P,0.5mm,SMD-A,AU	2	SNA
...4		3710-004307	CONNECTOR-SOCKET;30P,1R,0.7mm,SMD-A,AU,B	1	SA
...4		3711-007776	CONNECTOR-HEADER;BOX,8P,1R,1.25mm,SMD-A,	1	SA
...4	EH01	3711-008098	HEADER-BOARD TO CABLE;BOX,20P,1R,1.25mm,	1	SNA
...4	EH01	3711-008488	HEADER-BOARD TO CABLE;BOX,14P,2R,2mm,ANG	1	SA
...4	EH01	3711-008492	HEADER-BOARD TO CABLE;BOX,26P,2R,2mm,ANG	1	SA

Exploded Views and Parts List

Level	Loc.	Part Code	Description & Specification	Qty.	SA/SNA
...4		3711-009090	CONNECTOR-HEADER;BOX,16P,1R,1.25mm,SMD-A	1	SA
...4		6302-001376	GASKET-SMD;;;CONDUCTIVE FABRIC,T14,W43,L	12	SNA
...4		BN41-02634B	PCB-MAIN;Q7,FR-4,4L,T1.6,241x168mm,1,LUX	1	SNA
...4	CB07	BN61-13312B	BRACKET-SCREWLESS PCB;55KS8000,SK5,T0.3,	4	SNA
...4		BN97-14233A	ASSY MICOM;Kant-M2S TCON FW	1	SNA
....5		1107-002339	IC-NOR FLASH;W25Q80DV,8Mbit,SOP,5.28x5.2	1	SNA
....5		BN46-00819A	S/W MICOM;TCON FW,Kant-M2S	1	SNA
...4		BN97-14235A	ASSY MICOM;KM2MICOM_OCL_TV,QNQ7FC,W25Q40	1	SNA
....5		1107-002226	IC-NOR FLASH;W25Q40CLSSIP,4Mbit,SOIC,8P,	1	SA
...4		BN97-14501A	ASSY MICOM-MAIN;T-KTM2DEUC,QNQ7FC,KLM8G1	1	SNA
....5		1107-002515	IC-EMMC;KLM8G1GEME-B041,8Gbyte,64Gbx2,BG	1	SNA
...3		BN97-14214A	ASSY DRM;Kant-M2,DVB,NagSam, MAC, HDCP,	1	SNA
...4		BN46-00109H	KEY CODE-CERTIFICATION;MAC,TV/AV,General	1	SNA
...4		BN46-00110P	KEY CODE-CERTIFICATION;MIRACAST(HDCP2.2)	1	SNA
...4		BN46-00772A	KEY CODE-CERTIFICATION;KANT-M2,Nagra CSC	1	SNA
...4		BN46-00774A	KEY CODE-CERTIFICATION;KANT-M2,CI PLUS,S	1	SNA
...3		BN97-14479A	ASSY MICOM;65L1MU7QN,65inch AUO Flat/Cur	1	SNA
...4		BN46-00836A	S/W MICOM;N65LBURM,KANT-M2S,FLAT/CURVED	1	SNA
1		BN91-19835C	ASSY ONE CONNECT;QLED_QNQ8CB	1	SNA
.2		0203-001598	TAPE-SINGLE FACE;FILAMENT,#8915,T0.15,W1	0	SNA
.2	SCREW	6003-000282	SCREW-TAPTYPE;BH,+,-,B,M3,L8,ZPC(BLK),SW	14	SA
.2		6902-002971	BAG PE;HDPE/PE FOAM,-,T0.015/T0.5,W250,L	1	SA
.2	M0131	AA63-01071A	GASKET-EMI;PO24FS,A1,T2,W15,L90,GRAY,-	1	SNA
.2	T0073	AA63-01617A	GASKET-EMI;50Q71,Conductive Fabric,T1.0,	1	SNA
.2		BN39-02409A	LEAD CONNECTOR-POWER;Q7/8/9,UL21516,20P,	1	SA
.2		BN44-00934A	DC VSS-POWER BOARD;P270NQ_NPN,AC/DC,270W	1	SA
.2		BN62-00459A	PAD GAP-THERMAL;KN55S9CAF,SI,T5,L40,H40,	1	SA
.2		BN63-17538A	SHIELD-OC TOP;65QNQ9FA,EGI-SECC,T0.8	1	SNA
.2		BN63-17541A	INSULATOR-SMPS;65QNQ9FA,PC,BLACK,L119.8,	1	SNA
.2	M0019	BN68-00970A	LABEL-SECURITY;ALL,PET,T0.05,W60,L60,SEA	1	SNA
.2		BN68-07104D	LABEL-RATING;Monitor,WW,PP,T0.161,W90,L5	1	SNA
.2		BN68-08730A	LABEL-E PASS;QTV,WW,ART,T0.161,W60,L15,P	4	SNA
.2		BN69-17693A	BOX ACCESSORY;65QNQ9FA,CB,SW-E,Non Stand	1	SNA
.2		BN69-17702C	PAD-EPE;Y18 OC,EPE,-,W40,L390,H18,WHITE	1	SNA
.2		BN94-12954N	ASSY PCB OC;QNQ9FA	1	SA
...3		BN97-14059N	ASSY SMD;QNQ9FA	1	SNA
...4	DS01A	0401-001056	DIODE-SWITCHING;MMBD4148SE,100V,200mA,SO	1	SA
...4		0403-001785	DIODE-ZENER;NZH5V1B,4.94~5.2V,500mW,SOD-	2	SA
...4		0404-001881	DIODE-SCHOTTKY;SS3040-HE,40V,3000mA,SOD-	5	SA
...4		0406-001290	DIODE-TVS;3.0SMCJ20A,22.2V,24.5V,5MAV,30	1	SNA

Level	Loc.	Part Code	Description & Specification	Qty.	SA/SNA
...4		0406-001635	DIODE-TVS;SMF5.0A,6.4V,6.7V,7V,200MAV,20	9	SA
...4		0406-001810	DIODE-TVS;uClamp2461P,27V,32V,36V,23000M	1	SA
...4		0501-000462	TR-SMALL SIGNAL;MMBT2907A,PNP,350mW,SOT-	3	SA
...4		0601-003620	LED-IR;SMD Angle Type,1.4mm,200mW,5V,940	2	SA
...4		0801-003603	IC-CMOS LOGIC;MC74LCX244MN2TWG,Octal buf	1	SA
...4		0904-002882	IC-USC;GL852G-OHY38,QFN,28P,5x5mm,12MHz,	2	SA
...4		1006-001595	IC-DRIVER/RECEIVER;UT3221G-P16-R,TSSOP-1	1	SA
...4		1203-004363	IC-VOL. DETECTOR;SOT-23,3Z30,2.9x1.6mm,P	2	SA
...4		1203-008102	IC-POSIXED REG.;S-13A1D12-E800,HSOP,8	1	SNA
...4		1203-008392	IC-VOL. DETECTOR;S-6414AAB-L800X,TSOT-23	2	SA
...4		1203-008918	IC-DC/DC CONVERTER;TPS65235,WQFN,20P,3x3	1	SA
...4		1203-009067	IC-DC/DC CONVERTER;TPS564201,SOT-23,6P,3	2	SA
...4		1204-003762	IC-DECODER;SDP1705,FCBGA,358P,17x17x1.54	1	SA
...4		1205-005519	IC-SWITCH;ET20163,SOT23-5,5P,2.95x3.02mm	5	SA
...4		2007-000138	R-CHIP;100ohm,5%,1/16W,TP,1005	11	SA
...4		2007-000170	R-CHIP;1Mohm,5%,1/16W,TP,1005	1	SNA
...4		2007-000171	R-CHIP;0ohm,5%,1/16W,TP,1005	40	SNA
...4		2007-000172	R-CHIP;10ohm,5%,1/16W,TP,1005	3	SNA
...4		2007-000173	R-CHIP;22ohm,5%,1/16W,TP,1005	2	SNA
...4		2007-000501	R-CHIP;2.2ohm,1%,1/10W,TP,1608	1	SA
...4		2007-000591	R-CHIP;22ohm,1%,1/10W,TP,1608	1	SNA
...4		2007-000695	R-CHIP;3.3ohm,5%,1/10W,TP,1608	1	SNA
...4		2007-000779	R-CHIP;33ohm,1%,1/10W,TP,1608	8	SA
...4		2007-001116	R-CHIP;680ohm,1%,1/10W,TP,1608	2	SA
...4		2007-001292	R-CHIP;33ohm,5%,1/16W,TP,1005	18	SNA
...4		2007-001298	R-CHIP;51ohm,5%,1/16W,TP,1005	10	SNA
...4		2007-007107	R-CHIP;100Kohm,1%,1/16W,TP,1005,T0.25	31	SNA
...4		2007-007137	R-CHIP;1.2Kohm,1%,1/16W,TP,1005	5	SA
...4		2007-007138	R-CHIP;27Kohm,1%,1/16W,TP,1005	2	SNA
...4		2007-007142	R-CHIP;10Kohm,1%,1/16W,TP,1005,T0.35	44	SNA
...4		2007-007231	R-CHIP;110Kohm,1%,1/10W,TP,1608	1	SA
...4		2007-007306	R-CHIP;100ohm,1%,1/16W,TP,1005	16	SNA
...4		2007-007308	R-CHIP;33Kohm,1%,1/16W,TP,1005	2	SA
...4		2007-007309	R-CHIP;12Kohm,1%,1/16W,TP,1005,T0.35	9	SA
...4		2007-007312	R-CHIP;20Kohm,1%,1/16W,TP,1005	21	SA
...4		2007-007318	R-CHIP;1Kohm,1%,1/16W,TP,1005	22	SNA
...4		2007-007766	R-CHIP;2Kohm,1%,1/16W,TP,1005	28	SNA
...4		2007-007767	R-CHIP;200ohm,1%,1/16W,TP,1005	6	SA
...4		2007-008026	R-CHIP;56ohm,1%,1/16W,TP,1005	1	SA
...4		2007-008137	R-CHIP;24Kohm,1%,1/16W,TP,1005	1	SNA

Exploded Views and Parts List

Level	Loc.	Part Code	Description & Specification	Qty.	SA/SNA
...4		2011-001345	R-NETWORK;10Kohm,5%,1/16W,L,CHIP,8P,TP,2	1	SA
...4		2011-001506	R-NETWORK;10Kohm,5%,1/16W,L,CHIP,4P,TP,1	1	SNA
...4		2011-001586	R-NETWORK;1Kohm,5%,1/16W,L,CHIP,4P,TP,1.	1	SNA
...4		2011-001590	R-NETWORK;47Kohm,5%,1/16W,L,CHIP,4P,TP,1	4	SNA
...4	AD480	2203-000233	C-CER,CHIP;0.1nF,5%,50V,C0G,TP,1005,T0.5	13	SA
...4	AD480	2203-000359	C-CER,CHIP;0.15nF,5%,50V,C0G,TP,1005,T0.	3	SNA
...4	AD480	2203-000425	C-CER,CHIP;0.018nF,5%,50V,C0G,TP,1005	8	SA
...4	AD480	2203-000438	C-CER,CHIP;1nF,10%,50V,X7R,TP,1005	7	SA
...4	AD480	2203-000489	C-CER,CHIP;2.2nF,10%,50V,X7R,TP,1005	4	SA
...4	AD480	2203-000585	C-CER,CHIP;0.22nF,10%,50V,X7R,TP,1005	1	SA
...4	AD480	2203-000627	C-CER,CHIP;0.022nF,5%,50V,C0G,TP,1005	2	SNA
...4	AD480	2203-000812	C-CER,CHIP;0.033nF,5%,50V,C0G,TP,1005	6	SA
...4	AD480	2203-002711	C-CER,CHIP;100nF,10%,25V,X7R,TP,1608	2	SA
...4	AD480	2203-006126	C-CER,CHIP;47nF,10%,16V,X7R,TP,1005,T0.5	9	SNA
...4	AD480	2203-006307	C-CER,CHIP;1000nF,10%,25V,X5R,TP,2012	1	SNA
...4	AD480	2203-006474	C-CER,CHIP;22000nF,20%,6.3V,X5R,TP,2012	1	SA
...4	AD480	2203-006562	C-CER,CHIP;1000nF,10%,10V,X5R,TP,1005	32	SNA
...4	AD480	2203-006838	C-CER,CHIP;2200nF,10%,6.3V,X5R,TP,1005	5	SA
...4	AD480	2203-006890	C-CER,CHIP;10000nF,20%,6.3V,X5R,TP,1608	3	SNA
...4	AD480	2203-007271	C-CER,CHIP;2200nF,10%,10V,X5R,TP,1005	17	SNA
...4	AD480	2203-007544	C-CER,CHIP;100nF,10%,50V,X7R,TP,1005,T0.	52	SA
...4	AD480	2203-007809	C-CER,CHIP;22nF,10%,50V,X7R,TP,1005,T0.5	1	SNA
...4	AD480	2203-008315	C-CER,CHIP;22000nF,20%,25V,X5R,TP,2012,T	18	SA
...4		2703-000125	INDUCTOR-SMD;10uH,10%,2012,1.25T,1.15Ohm	2	SA
...4		2703-000213	INDUCTOR-SMD;470nH,10%,1.35Ohm,35mA,15,M	1	SA
...4		2703-002269	INDUCTOR-SMD;56nH,5%,1005,T0.5,1.4Ohm,15	7	SA
...4		2703-003803	INDUCTOR-SMD;4.7uH,20%,6060,0.031ohm,270	1	SA
...4		2703-004630	INDUCTOR-SMD;2.2uH,20%,7070,T5,0.0025Ohm	1	SNA
...4		2703-005191	INDUCTOR-SMD;1.5uH,20%,6060,T4.5,0.02Ohm	6	SA
...4		3601-001374	FUSE-SURFACE MOUNT;32V,5A,FAST-ACTING,PL	9	SA
...4		3601-001376	FUSE-SURFACE MOUNT;32V,3A,FAST-ACTING,Hi	3	SNA
...4		3701-001967	CONNECTOR-HDMI;19P,A,FEMALE,AU,0.5mm,BLK	4	SA
...4		3707-001123	CONNECTOR-OPTICAL;ANGLE,SPDIF,2.5PI	1	SA
...4		3709-001712	CONNECTOR-CARD SLOT;68P,1.27mm,ANGLE,AU,	1	SA
...4		3710-004308	CONNECTOR-SOCKET;32P,2R,0.8mm,SMD-A,AU,B	1	SA
...4		3711-009106	CONNECTOR-HEADER;BOX,20P,2R,2mm,ANGLE,SN	1	SA
...4		3722-003199	JACK-MODULAR;8P/8C,Y,ANGLE,NONE,AU,1PORT	1	SA
...4		3722-003216	JACK-PHONE;1P/7C,AU,BLK,SMD-A,3.6PI,10.2	1	SA
...4		3722-003457	JACK-USB;4P/1C,NI,BLK,ANGLE,A,2.0,13.1x1	3	SA
...4		BN13-00070A	IC ASIC;UEI1702,UEI1702,20P,3.3V,-20to+7	1	SA

Level	Loc.	Part Code	Description & Specification	Qty.	SA/SNA
..4		BN40-00333A	TUNER-DTV AIR CABLE SAT;DNLT243H7A,DVB-T	1	SA
..4		BN41-02638B	PCB-OC;QN65Q9FNAFXZA,FR-4,4L,T1.2,330x14	1	SNA
..4		BN97-14220A	ASSY MICOM;KM2MICOM_OCL_JP	1	SNA
....5		1107-002547	IC-NOR FLASH;W25Q16JVSSIQ,16Mbit,2Mbitx8	1	SNA
.2		BN96-45940A	ASSY COVER P-OC TOP;65QNQ9FA,PC,V-2,TP00	1	SA
..3		BN61-15817A	BRACKET-OC EMI;65QNQ9FA,STS,T0.3,NATURAL	1	SNA
..3		BN61-15818A	BRACKET-OC EMI CLIP;65QNQ9FA,STS,T0.3,NA	2	SNA
..3		BN62-00850A	HEAT SINK-PS;65QNQ9FA,A1050,T1.5,W120,L3	1	SNA
..3		BN63-16151A	SHEET-PROTECTION COVER;40K6200,PO,T0.068	0	SNA
..3		BN63-17487A	COVER-OC TOP;65QNQ9FA,PC,V-1,TP0116,ONE	1	SNA
..4		0103-011270	RESIN PC;NH3022PN3/3354M,Violet,TP0116,V	370	SNA
..3		BN63-17540A	INSULATOR-SMPS;65QNQ9FA,PC,BLACK,L136,W3	1	SNA
.2		BN96-45941D	ASSY COVER P-OC BOTTOM;65QNQ9FA,PC+ABS+G	1	SA
..3		BN62-00302A	PAD GAP-THERMAL;Arthur,SI,T8,L40,H40,gra	2	SNA
..3	M0131	BN63-02627A	GASKET-EMI;Oxford,Conductive Fabric,T8,W	2	SNA
..3		BN63-17244A	SHEET-PROTECTION COVER;55LS003,PO,T0.06,	0	SNA
..3		BN63-17488D	COVER-OC BOTTOM;65QNQ9FA,PC+ABS+GF15%,V-	1	SNA
..4		0103-010275	RESIN PC ABS;235GNH15/6919H,Black,BK0007	245	SNA
..3		BN63-17520A	SHIELD-OC BOTTOM;65QNQ9FA,EGI-SECC,T0.5,	1	SNA
..3		BN63-17718A	SHIELD-OC TOP FRONT;65QNQ9FA,EGI-SECC,T0	1	SNA
..3	RF01	BN67-00327J	FOOT-RUBBER;PE400,RUBBER,GRAY,T2.5,,	4	SNA
1		BN92-22903Z	ASSY P/MATERIAL;55QNQ7FC	1	SNA
.2		6902-002233	BAG AIR;LDPE,-,T0.2,W900,L1850,TRP,-,-,-	0	SNA
.2		6902-002695	BAG ROLL;HDPE/PE FOAM,-,T0.02,W1600,L400	2	SNA
.2		6922-000003	BAND;PP,T0.8,W18,L1650M,TRP,DA69-90145A	5	SNA
.2		BN02-00319B	TAPE-SINGLE FACE;OPP,T0.05,W75,L800M,CLE	2	SNA
.2		BN68-02422B	LABEL WARNING;ALL,ART,T0.05,W240,L100,Wh	0	SNA
.2		BN69-03982K	PACKING ANGLE;ALL,PAPER,-,-,-,-,YELLOW	0	SNA
.2		BN69-05418M	WRAP;T0.017,500,2000000,2000000,500	0	SNA
.2		BN69-06640E	PAD-PACKING;TRUCK PAD,CB,-,W410,L2500,,	0	SNA
.2		BN69-06642B	PAD-DP SHEET;PAD,CB,SW4,,W1500,L1100,,,,	0	SNA
.2		BN69-13942X	PALLET-WOODEN;65" KU6100,WOOD,-,W1150,L1	0	SNA
.2		BN69-17563A	CUSHION-SET FRONT;65UNU7100X,EPS,16.7g/l	1	SNA
..3		0103-005099	RESIN EPS;BASF303,Natural,Natural	442	SNA
.2		BN69-18185A	CUSHION-SET SIDE;65QNQ8FU,EPS,16.7g/l,WH	1	SNA
.2		BN96-45139B	ASSY PACKING P-PAD;65Q7F,PP/EPE,WITH WAR	2	SNA
..3		BN68-08908A	LABEL WARNING;ALL MODEL,ART,W70,L100,90g	2	SNA
..3		BN69-16841B	PAD-EPE;65Q7F,EPE,T1.2/T3,W100,L810,MIXE	2	SNA
.2		BN96-46685A	ASSY PACKING P-CUSHION SET;65Q8F_Y18,-,E	1	SNA
..3		BN69-18184A	CUSHION-SET;65QNQ8FU,EPS,16.7g/l,WHITE	1	SNA

Exploded Views and Parts List

Level	Loc.	Part Code	Description & Specification	Qty.	SA/SNA
...4		0103-005099	RESIN EPS;BASF303,Natural,Natural	1731	SNA
...3		BN69-18309A	BOX UNIT-IN;65QNQ8FR,CB,DW1,C1,L1934,W51	1	SNA
1		BN92-23453J	ASSY LABEL;QNQ8FU	1	SNA
.2		BN68-07519B	LABEL-ENERGY;ALL JORDAN,WW,PP,T0.135,W60	1	SNA
.2		BN68-08409B	LABEL-RATING;QTV,WW,PP,T0.161,W150,L48,T	1	SNA
.2		BN68-09003U	LEAFLET-QUICK SETUP GUIDE;Q8F 65",OTHERS	1	SNA
1		BN92-23454L	ASSY BOX;QNQ8FU	1	SNA
.2		BH68-00662A	LABEL BOX;ALL,ART,W60,L110,WHT,NO SILK,9	1	SNA
.2		BN69-18310A	BOX UNIT-OUT;65QNQ8FR,CB,DW4,F3,L1602,W1	1	SNA
1	ACCE1	BN92-23455B	ASSY ACCESSORY;QNQ8FU	1	SNA
.2		BN96-46874B	ASSY ACCESSORY MANUAL CABLE;55QNQ8FU,XC,	1	SNA
...3	T0268	3903-001118	POWER CORD-DT;EUR,2P-F,250V,2.5A,BLK,L15	1	SA
...3		4301-000103	BATTERY-ALKALINE;1.5V,750mAh,LR03,10.2x4	2	SNA
...3		BN39-02395B	ONECONNECT CABLE;Q9000,32P/30P,L5000,UL2	1	SA
...3		BN59-01300F	REMOCON-SMART CONTROL;2018 TV,SEC,14KEY,	1	SA
...3	M9889	BN63-01798B	CLOTH-CLEAN;CLOTH,SEA BLUE,ToC	1	SA
...3	T0527	BN68-00513A	LABEL-E PASS;ALL MODEL,WW,YUPO,W50,L15,W	1	SNA
...3		BN68-00514K	LEAFLET-WARRANTY;comm,Samsung,W.Europe,W	1	SNA
...3		BN68-07598A	LEAFLET-FICHE;ALL,W/P,0	1	SNA
...3		BN68-08112A	LABEL-SECURITY;ALL,PET,T0.05,W55,L52,GLO	1	SNA
...3		BN68-08114Q	LEAFLET-REGULATORY GUIDE;Q9F/Q8C/Q7C/Q7F	1	SNA
...3		BN68-08933C	LEAFLET-ACCESSORY KIT;Q7F & Q8C & Q9F,ZG & XC&	1	SNA
...3		BN68-09157D	MANUAL USERS;Q8FNA,XC,SPAIN,MOJO,1 COLOR	1	SNA
...3		BN69-13935A	BAG ACCESSORY;LDPE,T0.07,L350,W700,Trans	1	SNA
...3	EH03A	BN96-43169A	ASSY HOLDER P-RING;65Q8C,ABS,BLACK,HB	1	SA
...4		6902-001404	BAG PE;LDPE,T0.05,W80,L100,TRP,Bio. N	1	SNA
...4		BN61-14912A	HOLDER-WALL RING;55Q7F,ABS,T2,BLACK,HB,1	4	SNA
...3		BN96-46739A	ASSY HOLDER P-OC CABLE;65QNQ8CB,PC,V-2,W	1	SA
...4		6902-000683	BAG ZIPPER;LDPE,T0.05,W60,L60,TRP,4-PE M	1	SNA
...4		BN61-15791A	HOLDER-OC CABLE;65QNQ8CB,PC,TP0003,V-2	1	SNA
1		BN95-00061X	PRODUCT LCD DP;BN95-04909A;CY-QN065FLAV3	1	SA
.2	PANEL	BN95-04909A	PRODUCT LCD-AUO;CY-QN065FLAV3V/H,Q7F,Bas	1	SA
...3	SCREW	6003-001819	SCREW-TAPTYPE;CH,+B,M3,L6,ZPC(BLK),SWRC	11	SA
...3	M0131	BN63-00520A	GASKET-EMI;APPOLO_PAL,Conductive Fabric,	2	SNA
...3		BN68-05722A	LABEL-E PASS;POLYPROPYLENE,NON-COATING	1	SNA
...3		BN74-00053E	TAPE-SINGLE FACE;PAPER,3M2307,T0.14,W20,	0	SNA
...3		BN90-09531B	ASSY BACK LIGHT UNIT;65QNQ7FC	1	SNA
...4		BN61-15560A	OPTICAL SHEET-REFLECTOR;18Y_Q7F_65INCH_R	1	SNA
...4		BN61-15561A	OPTICAL SHEET-HIGH COLOR;18Y_Q7F_65INCH_	1	SNA
...4		BN61-15562A	LGP;18Y_Q7F_65INCH_LGP,MS,T2.5	1	SNA

Level	Loc.	Part Code	Description & Specification	Qty.	SA/SNA
...4		BN61-15565A	OPTICAL SHEET-COMPLEX;18Y_NU8K_65INCH_CO	1	SNA
...4		BN96-45622A	ASSY LED BAR P;18Y_Q7_65INCH_EDGE_LED BA	2	SNA
...4		BN96-45771A	ASSY CHASSIS REAR P;65QNQ7FC,EGI-SECC	1	SNA
....5		6041-001068	RIVET-PH;6SR000032004301_Cr3+WH,SWRCH10A	24	SNA
....5		BN02-00040B	TAPE DOUBLE FACE;NNB 32/40/46/55",PET,T0	1	SNA
....5		BN02-00102B	TAPE-SINGLE FACE;FILAMENT,#8917,T0.15,W2	0	SNA
....5		BN02-00573A	TAPE DOUBLE FACE;65QNQ7F,PET,T0.2,W22,L7	2	SNA
....5		BN39-02381A	LEAD CONNECTOR-BLU;Y18_65Q7F_NU8K,UL2101	1	SNA
....5	CB20	BN61-11982C	BRACKET-WALL;65QNQ7FC,CR-SPCC,BLACK	4	SNA
....5	CB20	BN61-13521A	BRACKET-WALL;32K5500,CR-SPCC,T1.2,NATURA	4	SNA
....5		BN61-13557K	BRACKET-WIRE;55KS7000,SW-C,T1,SILVER,ZIN	2	SNA
....5		BN61-13557P	BRACKET-WIRE;75Q8C,SW-C,T1,SILVER,66	1	SNA
....5		BN61-13557X	BRACKET-WIRE;65UNU7100X,SW-C,T1,SILVER,L	2	SNA
....5		BN61-15533A	BRACKET-LED PCB;65QNQ7FC,Al,T1.5,NATURAL	1	SNA
....5		BN61-15540A	HOLDER-LGP BOTTOM LEFT;65QNQ7FC,TPE,BK00	1	SNA
....5		BN61-15541A	HOLDER-LGP BOTTOM RIGHT;65QNQ7FC,TPE,BK0	1	SNA
....5		BN61-15573A	HOLDER-CHASSIS FRONT TOP;65QNQ7FC,PC+GF1	1	SNA
....5		BN61-15577A	HOLDER-CHASSIS FRONT LEFT RIGHT;65QNQ7FC	2	SNA
....6		0103-007368	RESIN PC;LS-3104G,K2495,BK0048,3.0mm V-2	61	SNA
....5		BN61-15857A	HOLDER-LGP TOP LEFT;65Q7F,TPE,BLACK,HB,T	1	SNA
....5		BN61-15858A	HOLDER-LGP TOP RIGHT;65Q7F,TPE,BLACK,HB,	1	SNA
....5		BN63-12734A	GASKET-EMI;HU9000,FABRIC,T0.13,W25,L70,B	2	SNA
....5		BN63-17614A	INSULATOR-SMPS;65QNQ7F,PC,BLACK,L310,W25	1	SNA
....5		BN63-17615B	INSULATOR-SOURCE PCB;65UNU8000F,PET,BLAC	1	SNA
....5	CC04	BN64-03999A	CHASSIS-REAR;65QNQ7FC,EGI-SECC,-,T0.8,NA	1	SNA
....6		BN01-00571A	STEEL;65Q7F,EGI-SECC,L0,0.8mm,880mm,SESK	8	SNA
....5	T0527	BN68-00513A	LABEL-E PASS;ALL MODEL,WW,YUPO,W50,L15,W	1	SNA
...4		BN96-45772A	ASSY FRAME P-MIDDLE BOTTOM;65QNQ7FC,PC+G	1	SNA
....5		BN60-00715A	SPACER-CONDUCTIVE;Y13 Slim F-LED,CONDUCT	2	SNA
....5		BN60-01610B	SPACER-FOAM;55QNQ7FC,HR FOAM,L50,DARK GR	1	SNA
....5		BN60-01614A	SPACER-FOAM;65QNQ7FC,PU FOAM,L50M,BLACK,	1	SNA
....5		BN61-15503A	FRAME-MIDDLE BOTTOM;65QNQ7FC,PC+GF10%,V-	1	SNA
....6		0103-010237	RESIN PC;LS-3104G/W95265,White,WT0044,V-	32	SNA
...4		BN96-45812A	ASSY FRAME P-MIDDLE BOTTOM FRONT;65QNQ7F	1	SNA
....5		0203-007074	TAPE-SINGLE FACE;PET,T0.05,W3,L50M,BLACK	1	SNA
....5		BN02-00486A	TAPE-DOUBLE FACE;PU FOAM,T0.5,W3.2,L33M,	2	SNA
....5		BN61-15525A	FRAME-MIDDLE BOTTOM FRONT;65QNQ7FC,STS43	1	SNA
...3		BN91-19767C	ASSY OPEN CELL-DECO;BN63-16356	1	SNA
...4		0201-003164	ADHESIVE-UV;190024,CLEAR,UV, Acrylic	2	SNA
...4	FD01	BN63-16356A	COVER-DECORATION;65Q7F,STS304,T0.15,SILV	1	SNA

Exploded Views and Parts List

Level	Loc.	Part Code	Description & Specification	Qty.	SA/SNA
...4		BN96-46181A	ASSY OPEN CELL;AUO,65Inch,Y2018 New open	1	SNA
....5		BN81-12752A	A/S OPEN CELL-ADHESIVE ACF;T430QVN02.2,4	1	SNA
....5		BN81-15349A	A/S OPEN CELL-POLARIZER-TFT;A/S-POLARIZE	1	SNA
....5		BN81-15350A	A/S OPEN CELL-POLARIZER-C/F;A/S-POLARIZE	1	SNA
....5		BN81-16224A	A/S-IC DRIVER SOURCE;IC DRIVER SOURCE,46	1	SNA
....5		BN81-16230A	A/S-ADHESIVE-A.C.F;ADHESIVE-A.C.F,47.COF	1	SNA
....5		BN81-16232A	A/S-ASSY PCB-SOURCE(F-L);ASSY PCB-SOURCE	1	SNA
....5		BN81-16233A	A/S-ASSY PCB-SOURCE(F-R);ASSY PCB-SOURCE	1	SNA
....5		BN81-16234A	A/S-ASSY PCB-SOURCE(B-L);ASSY PCB-SOURCE	1	SNA
....5		BN81-16235A	A/S-ASSY PCB-SOURCE(B-R);ASSY PCB-SOURCE	1	SNA
...3		BN96-45688A	ASSY COVER P-SOURCE PCB LEFT;65UNU7100X,	1	SNA
...4		BN63-17464A	COVER-SOURCE PCB LEFT;65UNU7100X,EGI-SEC	1	SNA
...4		BN63-17625A	INSULATOR-SOURCE PCB COVER LEFT;65QNQ7FC	1	SNA
...3		BN96-45690A	ASSY COVER P-SOURCE PCB RIGHT;65UNU7100X	1	SNA
...4		BN63-17465A	COVER-SOURCE PCB RIGHT;65UNU7100X,EGI-SE	1	SNA
...4		BN63-17624A	INSULATOR-SOURCE PCB COVER RIGHT;65QNQ7F	1	SNA
...3		BN96-45770A	ASSY CHASSIS FRONT P;65QNQ7FC,AI,Eclipse	1	SNA
...4		6001-002912	SCREW-MACHINE;CH,+M3,L3,ZPC(BLK),SWRCH1	4	SA
...4		BN02-00467A	TAPE SINGLE FACE;KS9000,PET,T0.05,W10,L1	2	SNA
...4		BN02-00486A	TAPE-DOUBLE FACE;PU FOAM,T0.5,W3.2,L33M,	3	SNA
...4		BN02-00489A	TAPE SINGLE FACE;55KS7500,PET,T0.22,W3,L	3	SNA
...4		BN60-00667U	SPACER-CONDUCTIVE;65QNQ7FC,CONDUCTIVE FA	3	SNA
...4		BN60-01539C	SPACER-FOAM;65QNQ7FC,PU FOAM,L10,BLACK,T	2	SNA
...4		BN60-01612B	SPACER-CONDUCTIVE;65QNQ7FC,CONDUCTIVE FA	1	SNA
...4		BN61-04692A	ADHESIVE-AA;94PRIMER,CLEAR,C043	0	SNA
...4		BN63-17419D	SHEET-PROTECTION COVER;65QNQ7FC,PO,T0.04	4	SNA
...4		BN64-04005A	CHASSIS-FRONT BOTTOM;65QNQ7FC,PC+GF10%,V	1	SNA
...4	AC155	BN64-04008A	CHASSIS-FRONT;65QNQ7FC,AI,-,-,NATURAL,Ec	1	SNA
...2		BN98-00007G	ASSY K/D-PACKING MATERIAL SESK;65Q7FNA,S	1	SNA
...3		0203-001269	TAPE-OPP;OPP,#301,T0.06,W75,L50M,CLEAR	1	SNA
...3		6902-002233	BAG AIR;LDPE,-,T0.2,W900,L1850,TRP,-,-,-	0	SNA
...3		6902-002572	BAG PANEL;LDPE,-,T0.05*,W1600,L1100,TRP,	1	SNA
...3		BN02-00138B	SILICAGEL;100GR,NON-WOVEN FABRIC BAG,100	0	SNA
...3		BN69-05418M	WRAP;T0.017,500,2000000,2000000,500	0	SNA
...3		BN69-06890B	BAND;PP,18000g,T0.8,W16,L1650,BLACK,LCM-	1	SNA
...3		BN69-13346A	PACKING SHEET;J5500 55",LDPE,T0.07,W2400	0	SNA
...3		BN69-16125X	PALLET;65" LCM panel,WOOD,OSB + WOOD,W11	0	SNA
...3		BN69-17453A	CUSHION-PANEL BOTTOM;65QNQ7FC,EPS,20g/l,	0	SNA
...3		BN69-17454A	CUSHION-PANEL TOP;65QNQ7FC,EPS,20g/l,WHI	0	SNA