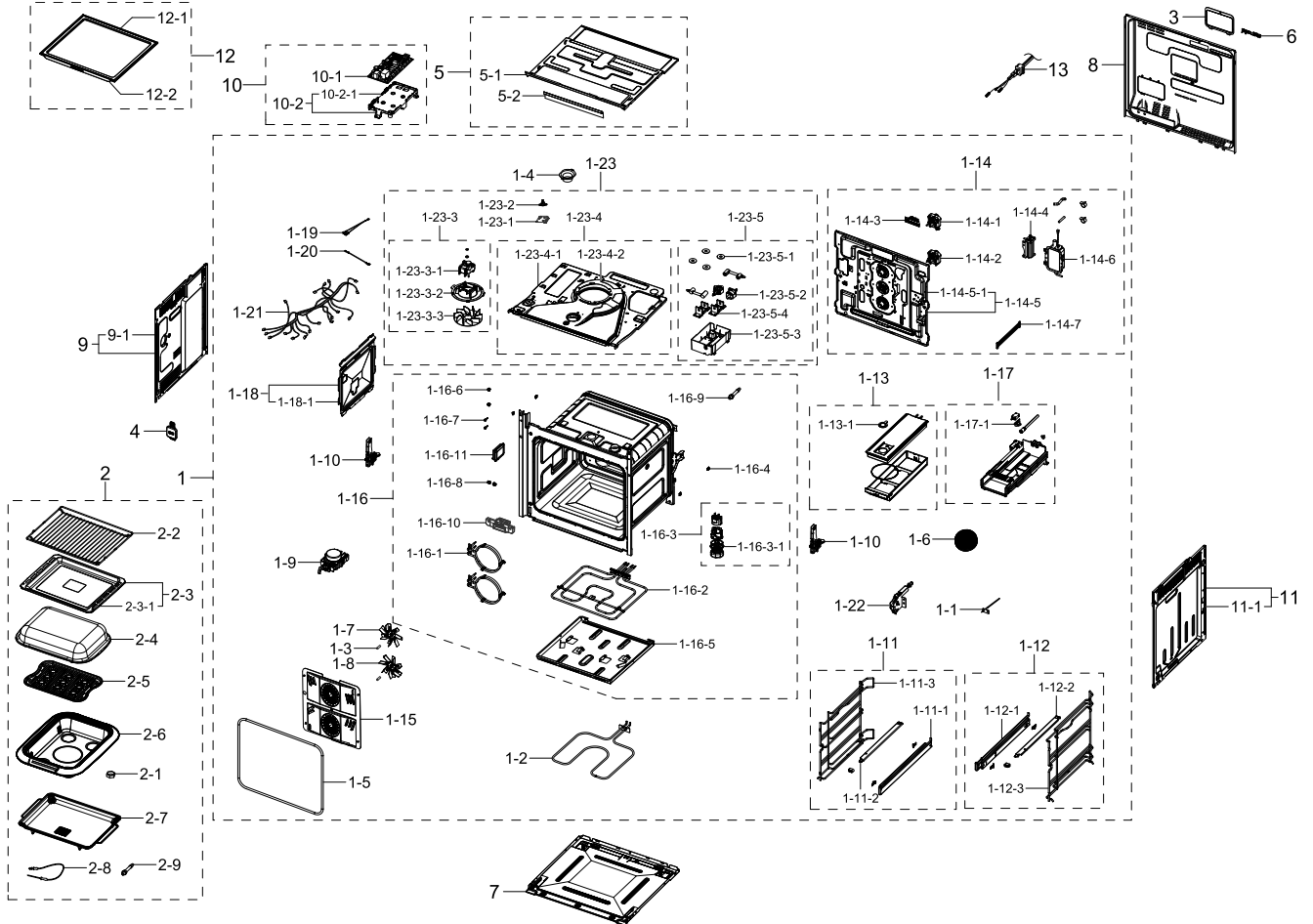


1. NV7B6795JAK/U2

NV7B6795JAK/U2

Exploded View



Parts List

No.	Lvl.	Loc.	Material Code	Description & Specification	SNA	Qty.
1	2		DG94-04404A	ASSY CAVITY-MODULE; NV7B6795AAK/EF,6 DCF	SNA	1
1-1	3	M054	DG32-00002B	SENSOR-THERMISTOR; PT1000-SOV9,12V,Platium	SA	2
1-2	3	M224	DG47-00007A	HEATER SHEATH-BOTTOM; AC230V,BKT Type(Fix	SA	1
1-3	3	H049	DG60-00001A	SPACER-FAN CONVECTION; BT63BSST,STKM11A,L	SA	2
1-4	3		DG61-00895A	BRACKET PIPE; ALL,GI-SGCC,T0.5,W27.7,L0.6	SA	1
1-5	3	M370	DG63-00095B	GASKET DOOR; NV9900J,GLASS FIBER,L1837.4,	SA	1
1-6	3	P283	DG63-00096A	FILTER-CERAMIC; BT62FQB PST,CERAMIC	SA	1

Exploded Views and Parts List

No.	Lvl.	Loc.	Material Code	Description & Specification	SNA	Qty.
1-7	3		DG67-00001C	FAN CONVECTION; 24"OVEN,ALCOAT-SA1C,Pi 12	SA	1
1-8	3		DG67-00011C	FAN CONVECTION; 24"OVEN,ALCOAT-SA1C,Pi 12	SA	1
1-9	3		DG94-03209A	ASSY DOOR LOCK; NV9900J, NV7000N,PYRO	SA	1
1-10	3		DG94-03271B	ASSY SUPPORT HINGE; NV7000B,150N, Dual(4G	SA	2
1-11	3		DG94-03543E	ASSY RACK WIRE SUPPORT-LEFT; NV7000B,1 Fu	SA	1
1-11-1	4		DG61-01856A	GUIDE RAIL TELESCOPIC-LEFT; NV8300T,STS30	SA	1
1-11-2	4		DG63-00651A	COVER PARTITION-LEFT; NV9900J,STS304,T0.5	SA	1
1-11-3	4		DG67-00223E	RACK WIRE SUPPORT-LEFT; NV8300T,RK PJT,MS	SA	1
1-12	3		DG94-03543F	ASSY RACK WIRE SUPPORT-RIGHT; NV7000B,1 F	SA	1
1-12-1	4		DG61-01856B	GUIDE RAIL TELESCOPIC-RIGHT; NV8300T,STS3	SA	1
1-12-2	4		DG63-00652A	COVER PARTITION-RIGHT; NV9900J,STS304,T0.	SA	1
1-12-3	4		DG67-00223F	RACK WIRE SUPPORT-RIGHT; NV8300T,RK PJT,M	SA	1
1-13	3		DG94-04277A	ASSY INLET WATER; NV7000B	SA	1
1-13-1	4		DE67-00278A	CAP-BOWL WATER; MC324GAKCBB,SI,CELESTA	SA	1
1-14	3		DG94-04279A	ASSY COVER ADIABATIC-REAR; NV7000B,GI-SGC	SA	1
1-14-1	4	H001	DG31-00018A	MOTOR AC CONVECTION; 24" OVEN,SMC-EBQV1A,	SA	1
1-14-2	4	H001	DG31-00019A	MOTOR AC CONVECTION; LOBSTAR,SMC-EBQV1B,2	SA	1
1-14-3	4	G005	DG65-00002A	TERMINAL BLOCK; BT63BSST,450V,41A,VDE,NO,	SA	1
1-14-4	4	X023	DG94-00620A	ASSY STEAMER SUB; STEAM JUPITER,PA6 + GF4	SA	1
1-14-5	4		DG94-04411A	ASSY COVER BACK; NV7000B, DUAL	SNA	1
1-14-5-1	5		DG63-00766A	COVER ADIABATIC-REAR; NV7000B,GI-SGCC,T0.	SA	1
1-14-6	4	X085	DG94-00497B	ASSY STEAMER; NV9900J,STS316L,STEAM	SA	1
1-14-7	4		DG96-00228A	ASSY WIRE HARNESS-POWER; BQ1VD6T131/XEO,2	SA	2
1-15	3	H005	DG94-04287D	ASSY COVER CASING; NV7000B,CR-SPE,T0.6,DU	SA	1

No.	Lvl.	Loc.	Material Code	Description & Specification	SNA	Qty.
1-16	3		DG94-04405A	ASSY CAVITY-SUB; NV7B6795AAK/EF,6 DCF PYR	SNA	1
1-16-1	4	H048	DG47-00009A	HEATER SHEATH-CONVECTION; AC230V,1200W,SU	SA	2
1-16-2	4	H071	DG47-00047G	HEATER SHEATH-GRILL; AC230V,BKT TYPE(FIXE	SA	1
1-16-3	4	M254	DG47-00073A	ASSY LAMP-HALOGEN; BT62FQBPST,613102,230V	SA	1
1-16-3-1	5	M265	DG63-00029A	COVER-RING BULB; BT63BSST,STS304,T0.5	SA	1
1-16-4	4	M188	DG61-00341A	BRACKET-HOLDER RACK; FLAT ALL MODEL,STS30	SA	4
1-16-5	4		DG63-00007C	COVER HEATER-BOTTOM; NV3300A,GI-SGCC,T0.5	SA	1
1-16-6	4	M242	DG63-00119A	COVER SCREW; BT65FQBPST,ABS,BLUE,HG-0760S	SA	2
1-16-7	4	M268	DG73-00002A	RUBBER-CUSHION; BT63BSST,SILICON RUBBER,T	SA	2
1-16-8	4	H130	DG94-00332A	HOLDER RACK; -,STS304,-,-,-,-,-,-,-,-,-,-	SA	2
1-16-9	4		DG94-00674D	ASSY PROBE; NV7B6795AAK/EF,MEAT PROBE_Iso	SA	1
1-16-10	4		DG94-02514A	ASSY HOLDER; NV7000N,CAVITY FRONT,LOCK RE	SA	1
1-16-11	4	M254	DG96-00371F	ASSY LAMP-HALOGEN; NV8300T,613103,230V 40	SA	1
1-17	3		DG94-04408A	ASSY BOWL WATER; NV7000B	SA	1
1-17-1	4		DG66-00022A	LEVER-SWITCH DRAIN; STEAM- JUPITER,PBT+GF	SA	1
1-18	3		DG94-04438A	ASSY COVER ADIABATIC-LEFT; NV7000B	SA	1
1-18-1	4		DG63-00764A	COVER ADIABATIC-SIDE; NV7000B,GI-SGCC,T0.	SA	1
1-19	3	W036	DG96-00390A	ASSY WIRE HARNESS-EARTH; NV9900J,,230VAC,	SA	1
1-20	3	W036	DG96-00894A	ASSY WIRE HARNESS-EARTH; NV7000B,230VAC,U	SA	1
1-21	3		DG96-00895A	ASSY WIRE HARNESS-MAIN; NV7000B,230VAC,UL	SA	1
1-22	3		DG97-00014G	ASSY PARTITION SWITCH; BT62CDSTR-BASIC,-,	SA	1
1-23	3	P214	DG94-04282E	ASSY BRACKET UPPER; NV7000B,DCF, STEAM PY	SNA	1
1-23-1	4	H012	DE61-01371A	BRACKET-TCO; SMH9151B/XAA,EGI-SECC	SA	1
1-23-2	4	M029	DG47-00010C	THERMOSTAT; AC125/250V,15/16A,140C,0C,S.O	SA	1
1-23-3	4	M021	DG94-01410F	ASSY COVER MOTOR; NV7000B	SA	1

Exploded Views and Parts List

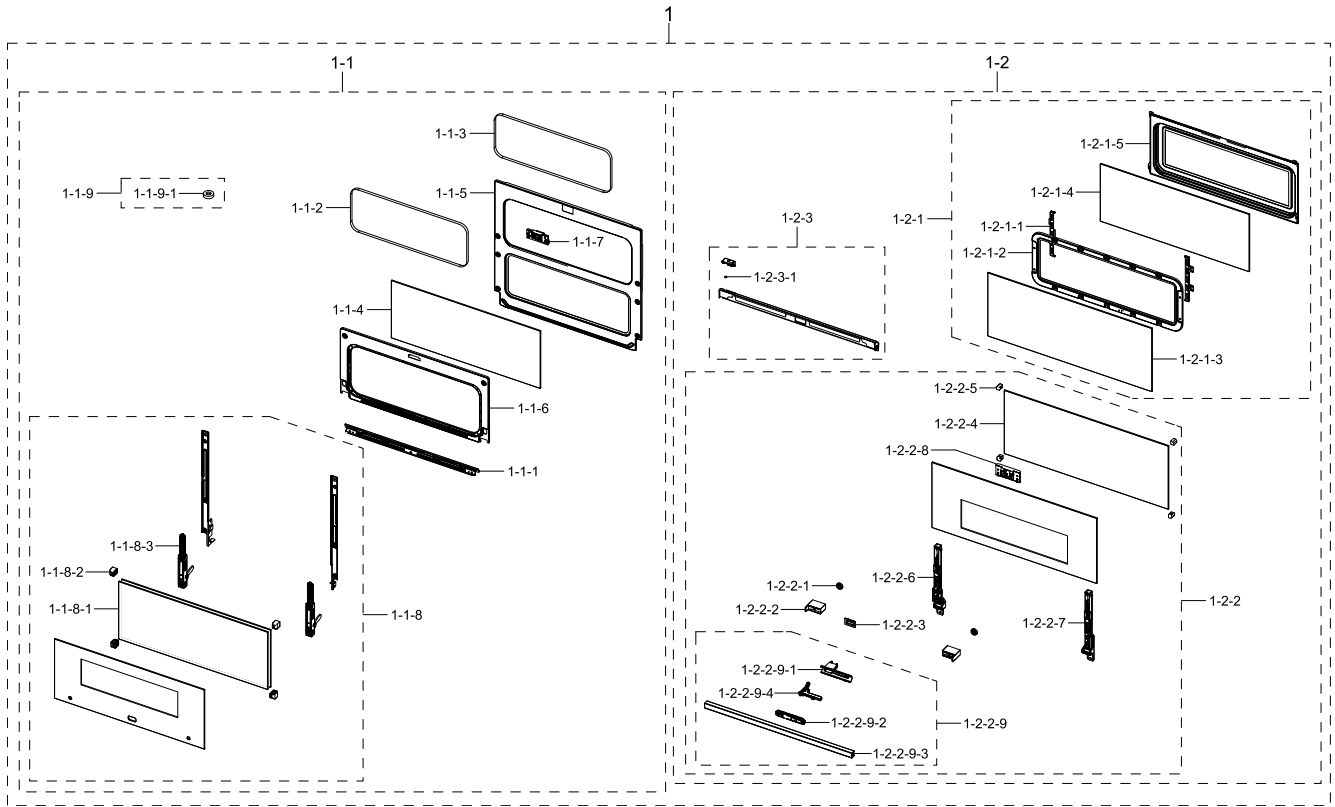
No.	Lvl.	Loc.	Material Code	Description & Specification	SNA	Qty.
1-23-3-1	5		DG31-00001F	MOTOR AC FAN; SMF-E610POL,2,230V,50Hz,35W	SA	1
1-23-3-2	5		DG61-01563A	SUPPORT MOTOR; DUAL DOOR,PA66+GF15%,W35,L	SA	1
1-23-3-3	5		DG67-00180A	FAN COOLING; DUAL DOOR,PA66+GF15%,DUAL DO	SA	1
1-23-4	4	P219	DG94-04281B	ASSY BRACKET UPPER-SUB; NV7000B,DCF	SNA	1
1-23-4-1	5		DG61-02157A	BRACKET-UP; NV7000B,GI-SGCC,T0.5,W,L	SA	1
1-23-4-2	5		DG63-00765A	COVER AIR; NV7000B,GI-SGCC,T0.5	SA	1
1-23-5	4		DG94-04283A	ASSY HOLDER PUMP; NV7000B	SA	1
1-23-5-1	5	H008	6031-002163	WASHER-PLAIN; S45C,ID5.5,OD17,T1.0	SA	4
1-23-5-2	5		DE31-00065E	VALVE COIL SOLENOID-PUMP; AC220-240V,50Hz	SA	2
1-23-5-3	5		DG61-02156A	HOLDER PUMP; NV7000B,PBT+GF15%,T2.5,BLACK	SA	1
1-23-5-4	5		DG67-00093B	RUBBER DAMPER; NV7000B,SILICON RUBBER,D-,	SA	2
2	2		DG98-02286A	ASSY PACKING ACCESSORY; NV7B6795AAK,1 TRA	SNA	1
2-1	3	P392	DG61-00552A	HOLDER-NUT; STEAM_JUPITER,STS430,16MM,GRA	SA	1
2-2	3		DG75-01061D	RACK WIRE; NV8300T,RK PJT,MSWR,-,-,-,ST	SA	1
2-3	3		DG94-04821B	ASSY TRAY OVEN-BAKE; DG63-00011A	SA	1
2-3-1	4	T111	DG63-00011A	TRAY-BAKING B; CR-SPE,T0.6,ENAMEL COATING	SA	1
2-4	3		DG01-00010A	GLASS-STEAM; 440*305*84.5,5T	SA	1
2-5	3		DG63-00246A	TRAY-STEAM SUB; STEAM,STS304,T0.6,ELECTRI	SA	1
2-6	3		DG63-00242B	TRAY STEAM; RK PJT (NV8300T),STS304,T0.6,	SA	1
2-7	3		DG63-00763A	TRAY-AIR FRY; NV7000B,STS304,T0.4,L	SA	1
2-8	3		DG32-00019A	SENSOR TEMP; L540,10.42Kohm,5%,65C,3.6phi	SA	1
2-9	3		DG94-00579A	ASSY-PIPE STEAM; STEAM JUPITER,BRAZING WE	SA	1
3	2		DG61-00031B	BRACKET COVER; NV31T4551SS,GI-SGCC,T0.4,W	SNA	1
4	2		DG63-00600A	COVER WIRE-UP; DUAL DOOR,PP,T1.5,V-0,NATU	SNA	1
5	2		DG94-04439A	ASSY CASE-UP; NV7000B,GI,T0.4	SA	1
5-1	3		DG61-02113A	CASE-UP; NV7000B,GI-SGCC,T0.4,L516.8,-,-,	SA	1
5-2	3		DG94-04596A	ASSY COVER; NV7000B,PC SHEET,ADHESIVE	SA	1

No.	Lvl.	Loc.	Material Code	Description & Specification	SNA	Qty.
6	2		DG61-00405A	HOLDER-CABLE; DX6292K,PP,-,WHITE,-,-,FH44	SA	1
7	2		DG61-02114A	BASE BOTTOM; NV7000B,GI-SGCC,T0.5,NV7000B	SNA	1
8	2	P186	DG63-00240C	COVER BACK; NV7000B,GI-SGCC,T0.5,NV7000B	SA	1
9	2		DG94-04440A	ASSY CASE-LEFT; NV7000B,GI,T0.5	SA	1
9-1	3	H054	DG61-02111A	CASE-LEFT; NV7000B,GI-SGCC,T0.5,L560,NV70	SA	1
10	2	C164	DG94-04531A	ASSY HOLDER PCB; NV7B6795JAK/U1	SNA	1
10-1	3		DG94-04470A	ASSY PCB EEPROM; 28,DG92-01288A,NV7000B,N	SA	1
10-2	3	C164	DG94-04538A	ASSY HOLDER PCB; NV7000B,CUSHION SPONGE	SNA	1
10-2-1	4		DG61-02155A	HOLDER PCB-MAIN; NV7000B,PBT+GF15%,T2.3,B	SA	1
11	2		DG94-04537A	ASSY CASE-RIGHT; NV7000B,GI,T0.5	SA	1
11-1	3	H053	DG61-02112A	CASE-RIGHT; NV7000B,GI-SGCC,T0.5,L560,NV7	SA	1
12	2	B034	DG94-00743A	ASSY-PARTITION; NV6786BNESR,NEO PJT	SA	1
12-1	3		DG94-04805A	ASSY PARTITION-UP; NV75A6579RS/EF,DG67-00	SA	1
12-2	3		DG94-04806A	ASSY PARTITION-LOW; NV75A6579RS/EF,DG67-0	SA	1
13	2	M015	DG96-00084A	POWER CORD-AT; H05VV-F 3x1.5mm2,BLK,-,-,F	SA	1

2. Assy Door-Module

Assy Door-Module

Exploded View



Parts List

No.	Lvl.	Loc.	Material Code	Description & Specification	SNA	Qty.
1	2		DG94-04367A	ASSY DOOR-MODULE; NV7B6795JAK/U1,Dual Doo	SA	1
1-1	3		DG94-04368A	ASSY DOOR-MAIN; NV7B6795AAK,Dual Door,Bla	SNA	1
1-1-1	4		DG61-01559A	BRACKET GLASS; DUAL DOOR,ALCOAT-SA1C,T0.6	SNA	1
1-1-2	4		DG63-00605A	GASKET-GLASS; NV75N7677RS,GLASS FIBER	SNA	1
1-1-3	4	M370	DG63-00606A	GASKET DOOR; NV75N7677RS,GLASS FIBER,GASK	SA	1
1-1-4	4		DG64-00785C	GLASS DOOR-MIDDLE; NV75N7677RS,GLASS,T4,W	SA	1
1-1-5	4		DG94-02401A	ASSY COVER; NV75N7677RS,ASSY COVER DOOR	SNA	1
1-1-6	4		DG94-02402A	ASSY COVER BACK; NV75N7677RS,ASSY COVER G	SA	1

No.	Lvl.	Loc.	Material Code	Description & Specification	SNA	Qty.
1-1-7	4		DG94-02404A	ASSY DOOR LOCK-MAIN; NV7000N,ASSY LATCH M	SA	1
1-1-8	4		DG94-04370A	ASSY DOOR SUB-MAIN/UP/LOW; NV7B6795AAK,Du	SNA	1
1-1-8-1	5		DG64-00785A	GLASS DOOR-MIDDLE; NV75N7677RS,GLASS,T4,W	SA	2
1-1-8-2	5		DG67-00186A	RUBBER GLASS; NV75N7677RS,SILICON RUBBER,	SA	4
1-1-8-3	5		DG94-04364A	ASSY HINGE-MAIN; NV7000B,DUAL DOOR SOFT C	SA	2
1-1-9	4		DG97-00162A	ASSY SCREW; NV7000N,SCREW(4*8)+WASHER+RUB	SNA	2
1-1-9-1	5		DG67-00184A	RUBBER; NV75N7677RS,SILICON RUBBER,BLACK,	SA	2
1-2	3		DG94-04369A	ASSY DOOR-UP; NV7B6795AAK,Dual Door,Black	SNA	1
1-2-1	4		DG94-02564A	ASSY COVER FRONT; NV7000N, PYRO,ASSY COVE	SNA	1
1-2-1-1	5		DG61-01569A	HOLDER GLASS; NV7000N,DUAL DOOR,STS304,T0	SNA	2
1-2-1-2	5		DG61-01584A	BRACKET COVER-TOP; NV7000N,STS304,T0.8,W4	SNA	1
1-2-1-3	5		DG64-00789A	GLASS DOOR-IN; NV7000N,GLASS,T4,W146,L435	SA	1
1-2-1-4	5		DG64-00789B	GLASS DOOR-IN; NV7000N,GLASS,T4,W158,L435	SA	1
1-2-1-5	5		DG94-02400A	ASSY COVER FRONT-COATING; NV75N7677RS,ASS	SA	1
1-2-2	4		DG94-04371A	ASSY DOOR SUB-UP; NV7B6795AAK,Dual Door,B	SNA	1
1-2-2-1	5	D095	DG61-00745A	HOLDER HANDLE; NV7000N,PA66+GF30%,T1.5,BL	SNA	2
1-2-2-2	5		DG61-02150A	SUPPORT HANDLE; NV7000B,PC,W80,L50,HB,141	SNA	2
1-2-2-3	5		DG63-00755A	COVER LATCH; NV7000B,PC,HB,GE BLACK,141R	SA	1
1-2-2-4	5		DG64-00785A	GLASS DOOR-MIDDLE; NV75N7677RS,GLASS,T4,W	SA	1
1-2-2-5	5		DG67-00185A	RUBBER GLASS-UP; NV75N7677RS,SILICON RUBB	SA	4
1-2-2-6	5		DG94-02396E	ASSY HINGE-LEFT; NV7000N,SM45C,P/D,Pyro,U	SNA	1
1-2-2-7	5		DG94-02397E	ASSY HINGE-RIGHT; NV7000N,SM45C,P/D,Pyro,	SNA	1
1-2-2-8	5		DG94-02475A	ASSY DOOR LOCK-FRONT; NV7000N,ASSY LATCH	SA	1

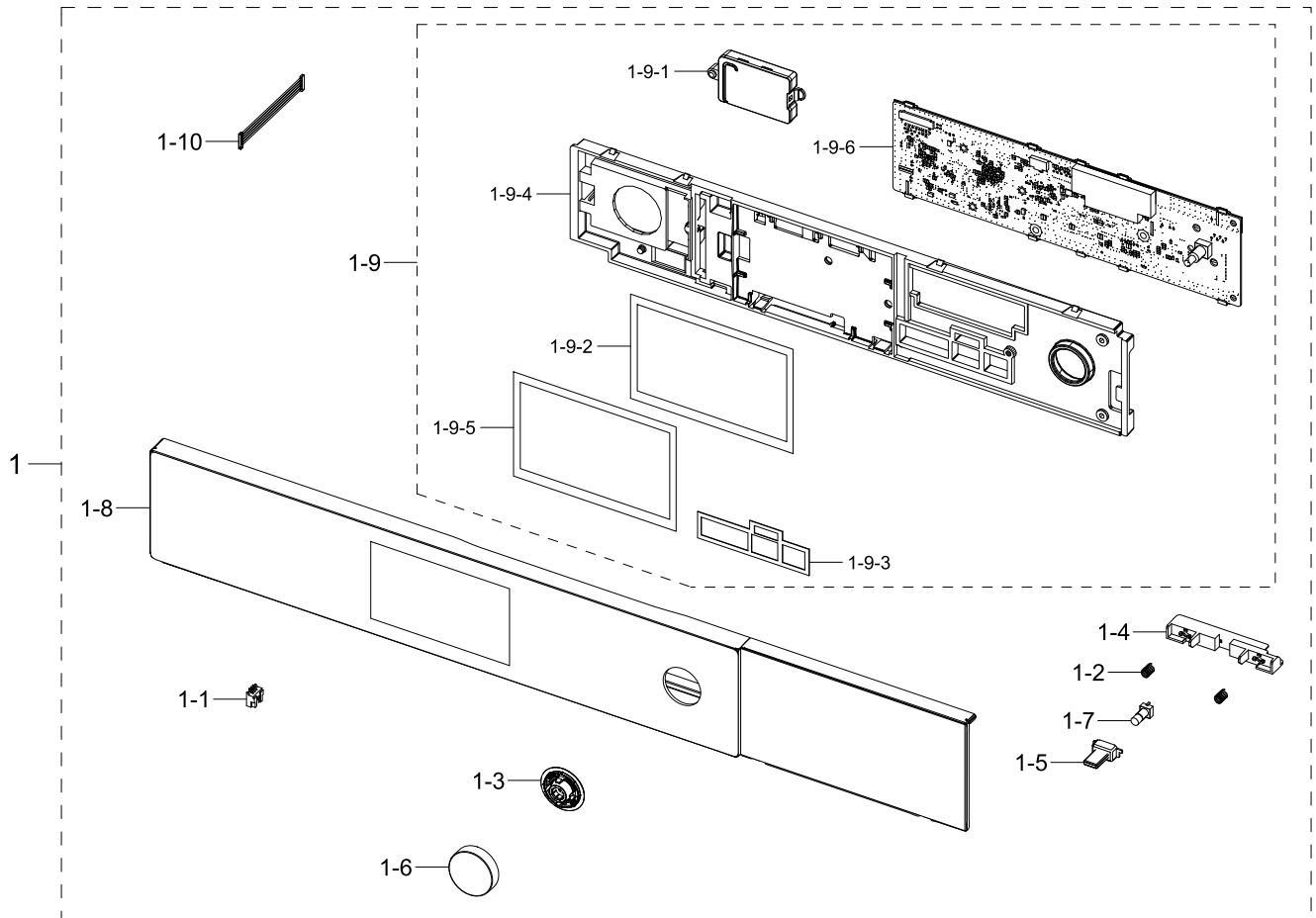
Exploded Views and Parts List

No.	Lvl.	Loc.	Material Code	Description & Specification	SNA	Qty.
1-2-2-9	5	D020	DG94-04373A	ASSY HANDLE; NV7B6795AAK,AL,Black,Dual Do	SNA	1
1-2-2-9-1	6	D147	DG63-00756A	COVER HANDLE; NV7000B,PC,HB,GE BLACK,141R	SA	1
1-2-2-9-2	6		DG64-01042A	HANDLE SUB; NV7000B,PC,T2,W20,L50,141R,HB	SNA	1
1-2-2-9-3	6	D019	DG64-01094A	HANDLE DOOR; NV7B6795AAK,Al,T1.2,W18,L513	SNA	1
1-2-2-9-4	6		DG66-00077A	LEVER DOOR; NV7000B,PA66+GF15%,KN3321G15V	SA	1
1-2-3	4		DG94-04374A	ASSY DUCT DOOR; NV7B6795AAK,GA-SGCD,T0.8,	SNA	1
1-2-3-1	5	Z097	DG61-00986A	MAGNET; Nd,T2,D6,Holder door lock	SA	1

3. Assy Control Box-Module

Assy Control Box-Module

Exploded View



Parts List

No.	Lvl.	Loc.	Material Code	Description & Specification	SNA	Qty.
1	2		DG94-04321F	ASSY CONTROL BOX-MODULE; NV7000B,BLACK,GL	SNA	1
1-1	3		DG32-00018A	SENSOR MAG; MS0417T-0018A,5V,20037WR-03,T	SA	1
1-2	3		DG61-00399A	SPRING ETC-DUCT DOOR; GVE/MD,STAINLESS-ST	SA	2
1-3	3		DG61-02106A	HOLDER DIAL RING; NV7000B,PC,T2,GE BLACK,	SA	1
1-4	3		DG61-02183A	HOLDER SWITCH; NV7000B,PC,T2,GE BLACK,-,H	SA	1
1-5	3		DG64-00432A	BUTTON-STEAM DOOR; NQ50C7935ES,PC,-,BLACK	SA	1
1-6	3	C025	DG64-01032A	KNOB; NV7000B,PC,GE BLACK,5,6 Series, 47m	SA	1

Exploded Views and Parts List

No.	Lvl.	Loc.	Material Code	Description & Specification	SNA	Qty.
1-7	3	C263	DG94-01049A	ASSY BUTTON; MARK3,STEAM DOOR BUTTON	SA	1
1-8	3	C001	DG94-04306F	ASSY CONTROL PANEL; NV7000B,BLACK,GLASS,6	SA	1
1-9	3	C164	DG94-04376A	ASSY HOLDER PCB; NV7000B,6SEREIS OVEN STE	SA	1
1-9-1	4	M367	3001-002825	SPEAKER; 8Ohm,82dB,500,60.5x40x10.5mm,28p	SA	1
1-9-2	4		DB07-00199A	LCD-TFT; 104.96x66.51mm,-20to+70C,3.3V,-3	SNA	1
1-9-3	4		DG01-00059A	FILM DIFFUSION; PET,T0.15,W78.5,L24,NV830	SNA	1
1-9-4	4	C226	DG61-02107A	HOLDER DISPLAY; NV7000B,PC,T2,GE BLACK,V-	SA	1
1-9-5	4	S122	DG63-00706A	GASKET; NV75T9979CD,PU,T0.8,W110.3,L71.1,	SNA	1
1-9-6	4		DG92-01270A	ASSY PCB DISPLAY; R18 4.3' LCD SUB, Non T	SA	1
1-10	3		DG96-00893A	ASSY WIRE HARNESS-DC SIGNAL; NV7000B,230V	SA	1