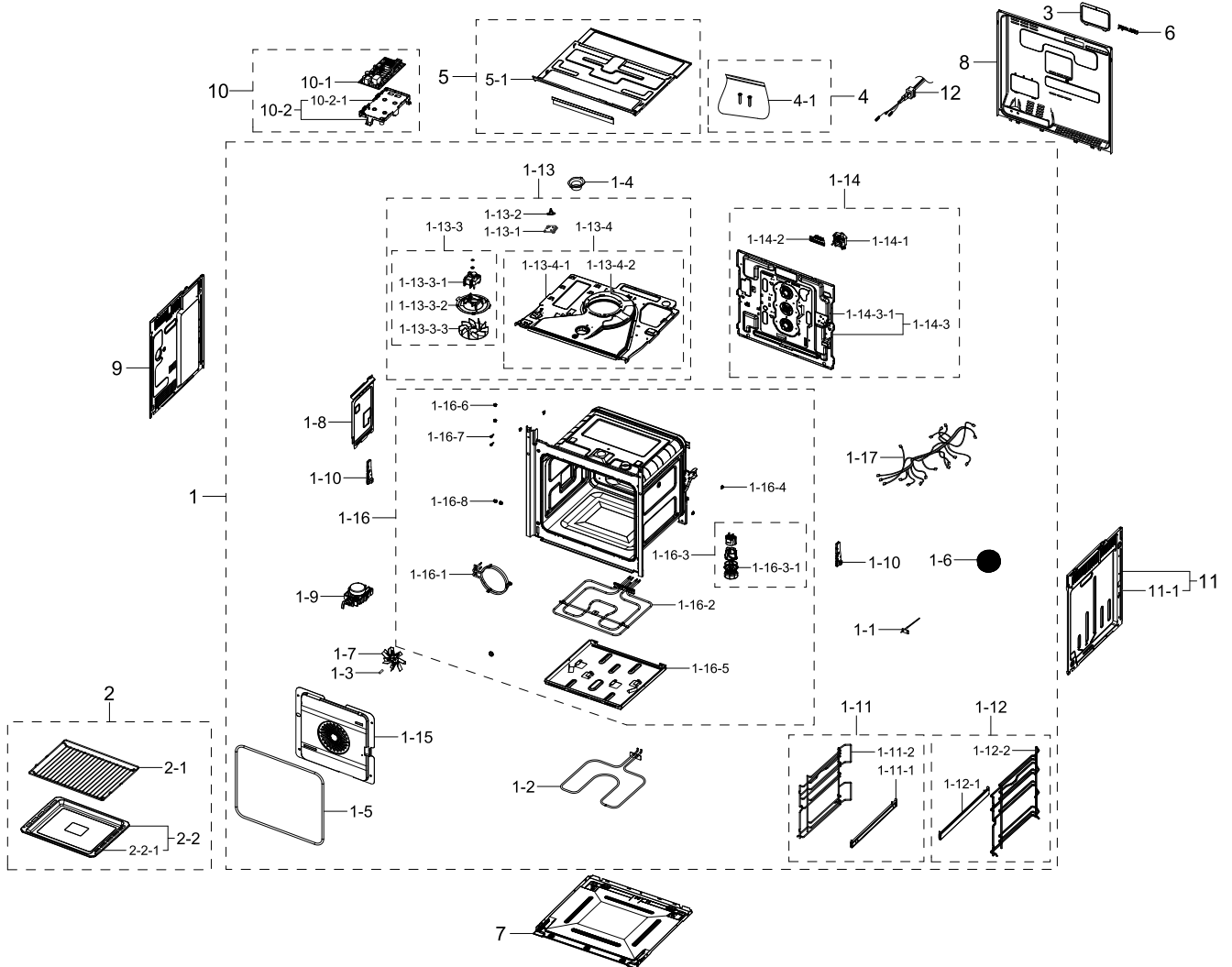


1. Main

Main

Exploded View



Parts List

No.	Lvl.	Loc.	Material Code	Description & Specification	SNA	Qty.
1	2		DG94-04404X	ASSY CAVITY-MODULE; NV7B41301AS/U1,4SINGL	SNA	1
1-1	3	M054	DG32-00002B	SENSOR-THERMISTOR; PT1000-SOV9,12V,Platiu	SA	1
1-2	3	M224	DG47-00007A	HEATER SHEATH-BOTTOM; AC230V,BKT Type(Fix	SA	1
1-3	3	H049	DG60-00001A	SPACER-FAN CONVECTION; BT63BSST,STKM11A,L	SA	1
1-4	3		DG61-00895A	BRACKET PIPE; ALL,GI-SGCC,T0.5,W27.7,L0.6	SA	1

Exploded Views and Parts List

No.	Lvl.	Loc.	Material Code	Description & Specification	SNA	Qty.
1-5	3	M370	DG63-00095B	GASKET DOOR; NV9900J, GLASS FIBER, L1837.4,	SA	1
1-6	3	P283	DG63-00096A	FILTER-CERAMIC; BT62FQBPST, CERAMIC	SA	1
1-7	3		DG67-00018C	FAN CONVECTION; ALCOAT-SA1C, T0.6	SA	1
1-8	3		DG63-00764A	COVER ADIABATIC-SIDE; NV7000B, GI-SGCC, T0.	SA	1
1-9	3		DG94-03209A	ASSY DOOR LOCK; NV9900J, NV7000N, PYRO	SA	1
1-10	3		DG61-00930A	SUPPORT HINGE; NV9900J, GI-SGCC, T1.6, W4.8,	SA	2
1-11	3		DG94-01405C	ASSY SUPPORTER RACK-LEFT; AIRV, SIDE RAIL	SA	1
1-11-1	4	P444	DG61-00468A	RAIL-TELESCOPIC L; TELESCOPIC MODEL, STS30	SA	1
1-11-2	4		DG67-00115C	RACK WIRE SUPPORT-LEFT; -, NV9900J, MSWR, -,	SA	1
1-12	3		DG94-01405D	ASSY SUPPORTER RACK-RIGHT; AIRV, SIDE RAI	SA	1
1-12-1	4	P445	DG61-00469A	RAIL-TELESCOPIC R; TELESCOPIC MODEL, STS30	SA	1
1-12-2	4		DG67-00115D	RACK WIRE SUPPORT-RIGHT; -, NV9900J, MSWR, -	SA	1
1-13	3	P214	DG94-04282C	ASSY BRACKET UPPER; NV7000B, NO STEAM, PYR	SNA	1
1-13-1	4	H012	DE61-01371A	BRACKET-TCO; SMH9151B/XAA, EGI-SECC, T0.6, -	SA	1
1-13-2	4	M029	DG47-00010C	THERMOSTAT; AC125/250V, 15/16A, 140C, 0C, S.O	SA	1
1-13-3	4	M021	DG94-01410F	ASSY COVER MOTOR; NV7000B	SA	1
1-13-3-1	5		DG31-00001F	MOTOR AC FAN; SMF-E610POL, 2, 230V, 50Hz, 35W	SA	1
1-13-3-2	5		DG61-01563A	SUPPORT MOTOR; DUAL DOOR, PA66+GF15%, W35, L	SA	1
1-13-3-3	5		DG67-00180A	FAN COOLING; DUAL DOOR, PA66+GF15%, DUAL DO	SA	1
1-13-4	4	P219	DG94-04281A	ASSY BRACKET UPPER-SUB; NV7000B	SNA	1
1-13-4-1	5		DG61-02157A	BRACKET-UP; NV7000B, GI-SGCC, T0.5, W, L	SA	1
1-13-4-2	5		DG63-00765A	COVER AIR; NV7000B, GI-SGCC, T0.5	SA	1
1-14	3		DG94-04279E	ASSY COVER ADIABATIC-REAR; NV7000B, SINGLE	SA	1
1-14-1	4	H001	DG31-00019A	MOTOR AC CONVECTION; LOBSTAR, SMC-EBQV1B, 2	SA	1
1-14-2	4	G005	DG65-00002A	TERMINAL BLOCK; BT63BSST, 450V, 41A, VDE, NO,	SA	1
1-14-3	4		DG94-04411B	ASSY COVER BACK; NV7000B, SINGLE, PYRO	SNA	1

No.	Lvl.	Loc.	Material Code	Description & Specification	SNA	Qty.
1-14-3-1	5		DG63-00766A	COVER ADIABATIC-REAR; NV7000B,GI-SGCC,T0.	SA	1
1-15	3	H005	DG94-04286B	ASSY COVER CASING; NV7000B,CR-SPE,T0.6,SI	SA	1
1-16	3		DG94-04405N	ASSY CAVITY-SUB; NV7B41307AS/U1,Single-Fa	SNA	1
1-16-1	4	H061	DG47-00044A	HEATER SHEATH-CONVECTION; AC230V,1800W,SU	SA	1
1-16-2	4	H071	DG47-00047G	HEATER SHEATH-GRILL; AC230V,BKT TYPE(FIXE	SA	1
1-16-3	4	M254	DG47-00073A	ASSY LAMP-HALOGEN; BT62FQBPST,613102,230V	SA	1
1-16-3-1	5	M265	DG63-00029A	COVER-RING BULB; BT63BSST,STS304,T0.5	SA	1
1-16-4	4	M188	DG61-00341A	BRACKET-HOLDER RACK; FLAT ALL MODEL,STS30	SA	4
1-16-5	4		DG63-00007C	COVER HEATER-BOTTOM; NV3300A,GI-SGCC,T0.5	SA	1
1-16-6	4	M242	DG63-00119A	COVER SCREW; BT65FQBPST,ABS,BLUE,HG-0760S	SA	2
1-16-7	4		DG67-00259A	RUBBER; NV7000B,SILICON RUBBER,D10,D10x27	SA	2
1-16-8	4	H130	DG94-00332A	HOLDER RACK; -,STS304,-,-,-,-,-,-,-,-,-	SA	2
1-17	3		DG96-00904A	ASSY WIRE HARNESS-MAIN; NV7000B,230VAC,UL	SA	1
2	2		DG98-02286E	ASSY PACKING ACCESSORY; NV7B4130WAS,1 TRA	SNA	1
2-1	3		DG75-01061D	RACK WIRE; NV8300T,RK PJT,MSWR,-,-,-,-,ST	SA	1
2-2	3		DG94-04821B	ASSY TRAY OVEN-BAKE; DG63-00011A	SA	1
2-2-1	4	T111	DG63-00011A	TRAY-BAKING B; CR-SPE,T0.6,ENAMEL COATING	SA	1
3	2		DG61-00031B	BRACKET COVER; NV31T4551SS,GI-SGCC,T0.4,W	SNA	1
4	2		DG98-02299A	ASSY MANUAL; NV7B4130WAS/U1,NV7000B, 4S_D	SNA	1
4-1	3	M060	DG94-01852A	ASSY HARD WARE; NV70K1340BG,SCREW	SA	1
5	2		DG94-04439A	ASSY CASE-UP; NV7000B,GI,T0.4	SA	1
5-1	3		DG61-02113A	CASE-UP; NV7000B,GI-SGCC,T0.4,L516.8,-,-,	SA	1
6	2		DG61-00405A	HOLDER-CABLE; DX6292K,PP,-,INNER WHITE,-,	SA	1
7	2		DG61-02114A	BASE BOTTOM; NV7000B,GI-SGCC,T0.5,NV7000B	SNA	1
8	2	P186	DG63-00240C	COVER BACK; NV7000B,GI-SGCC,T0.5,NV7000B	SA	1
9	2		DG94-04440B	ASSY CASE-LEFT; NV7000B,SPACER	SA	1
10	2	C164	DG94-04535A	ASSY HOLDER PCB; NV7B41307AS/U1	SNA	1

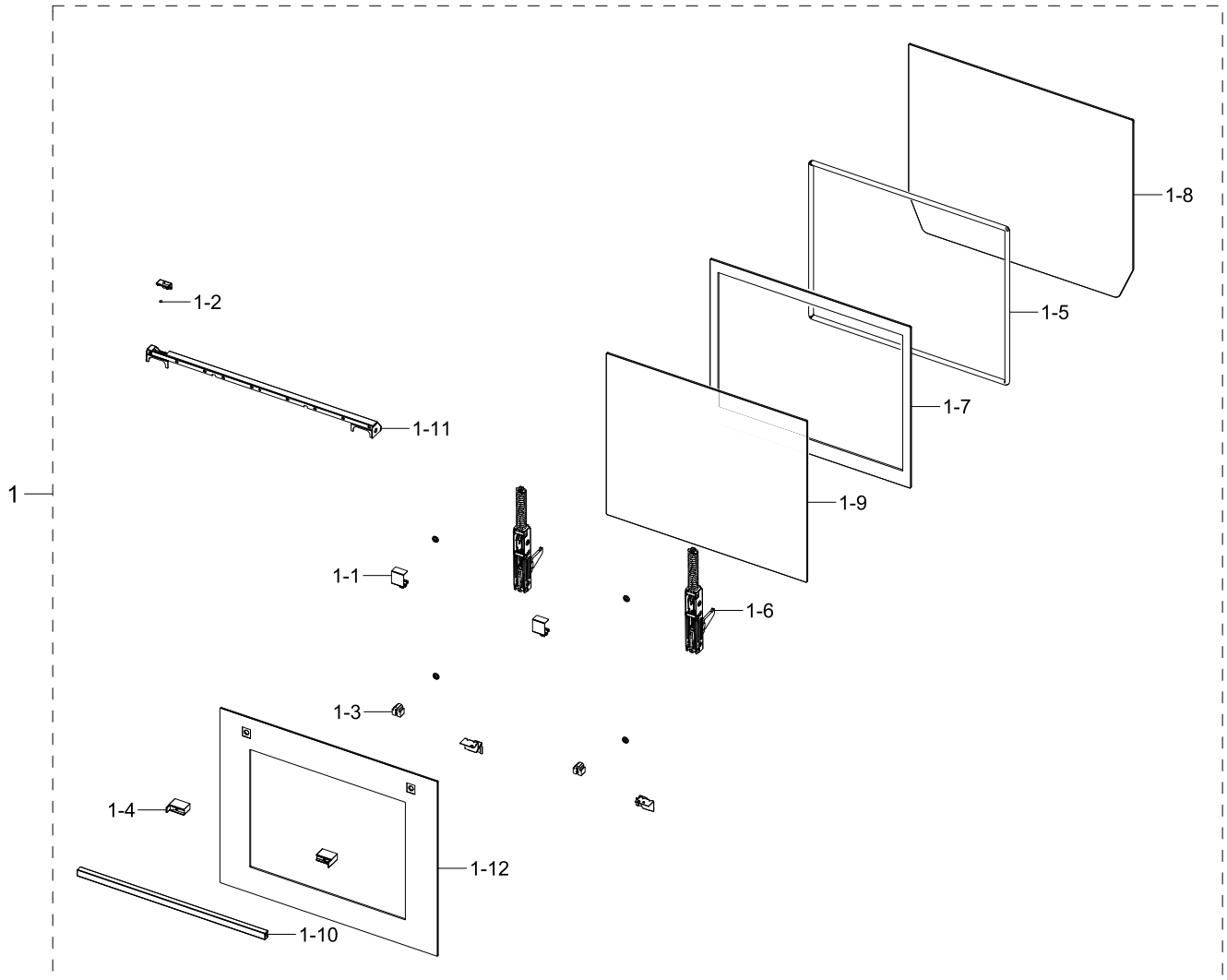
Exploded Views and Parts List

No.	Lvl.	Loc.	Material Code	Description & Specification	SNA	Qty.
10-1	3		DG94-04474A	ASSY PCB EEPROM; 34,DG92-01289D,NV7000B,N	SA	1
10-2	3	C164	DG94-04538A	ASSY HOLDER PCB; NV7000B,CUSHION SPONGE	SNA	1
10-2-1	4		DG61-02155A	HOLDER PCB-MAIN; NV7000B,PBT+GF15%,T2.3,B	SA	1
11	2		DG94-04537A	ASSY CASE-RIGHT; NV7000B,GI,T0.5	SA	1
11-1	3	H053	DG61-02112A	CASE-RIGHT; NV7000B,GI-SGCC,T0.5,L560,NV7	SA	1
12	2	M015	DG96-00084A	POWER CORD-AT; H05VV-F 3x1.5mm2,BLK,-,-,F	SA	1

2. Assy Door-Module

Assy Door-Module

Exploded View



Parts List

No.	Lvl.	Loc.	Material Code	Description & Specification	SNA	Qty.
1	2		DG94-04361B	ASSY DOOR-MODULE; NV7B41307AS/U1,Single,S	SA	1
1-1	3		DG61-00916A	HOLDER GLASS; NV9900J,STS301,T0.5	SNA	2
1-2	3	Z097	DG61-00986A	MAGNET; Nd,T2,D6,Holder door lock	SA	1
1-3	3		DG61-00987A	HOLDER GLASS RUBBER; NV75A6579RS/EF,Si,-,	SNA	2
1-4	3		DG61-02150A	SUPPORT HANDLE; NV7000B,PC,W80,L50,HB,141	SNA	2
1-5	3	S122	DG63-00380A	GASKET; NV9900J,GLASS FIBER,W390,L470,DAR	SA	1

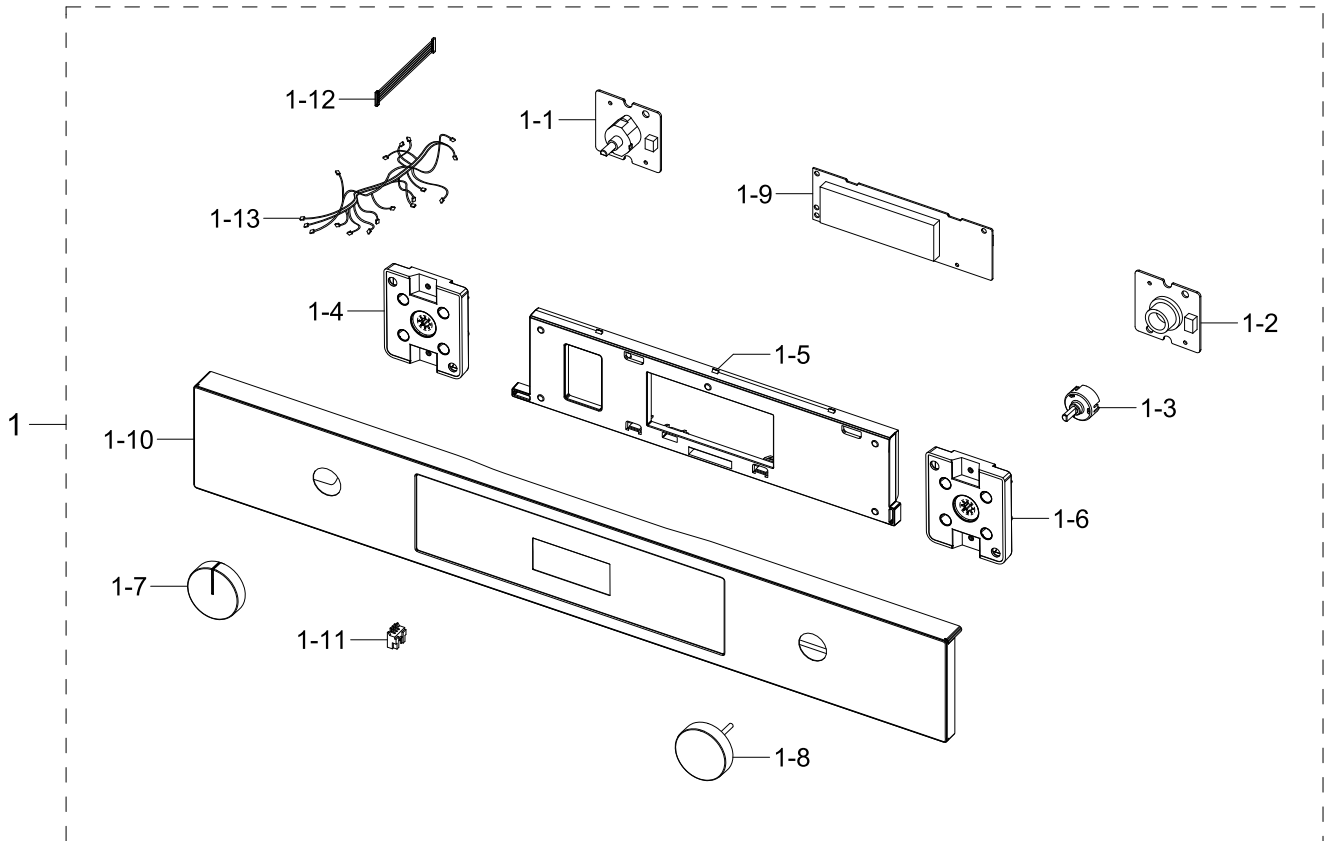
Exploded Views and Parts List

No.	Lvl.	Loc.	Material Code	Description & Specification	SNA	Qty.
1-6	3	V002	DG94-02344A	ASSY HINGE; NV9900J,75L, 4GLASS, NOMAL	SA	2
1-7	3		DG64-00136C	GLASS DOOR-MIDDLE; NV9900J,GLASS,T4,W481,	SNA	1
1-8	3		DG64-00514A	GLASS DOOR-IN; NV9900J,GLASS,T4,W538,L463	SNA	1
1-9	3		DG64-01087B	GLASS DOOR-MIDDLE; NV7000B,GLASS,T4,W481,	SA	1
1-10	3	D019	DG64-01085B	HANDLE DOOR; NV7B6795AAK,Al,T1.2,W18,L513	SNA	1
1-11	3		DG67-00091G	DUCT DOOR; NV7B5775MAK,GA-SGCD,T0.8,W541.	SNA	1
1-12	3	D015	DG94-04366A	ASSY DOOR SUB; NV7B4240KBB,SINGLE,BLACK,P	SA	1

3. Assy Control Box-Module

Assy Control Box-Module

Exploded View



Parts List

No.	Lvl.	Loc.	Material Code	Description & Specification	SNA	Qty.
1	2		DG94-04329B	ASSY CONTROL BOX-MODULE; NV7000B,STS,CHAS	SA	1
1-1	3		DE96-00994B	ASSY SWITCH; NV7B4455JAB/EF,DGT,Silver, F	SA	1
1-2	3		DE96-01147A	ASSY SWITCH-OVEN; NV7B4455JAB/EF,DGT,Blac	SA	1
1-3	3		DG61-00250B	HOLDER SWITCH; 24"EVN,PA66+GF15%,BLACK,KN	SA	1
1-4	3		DG61-02104A	HOLDER KNOB; NV7000B,PC,T2,GE BLACK,141R,	SA	1
1-5	3	C226	DG61-02109A	HOLDER DISPLAY; NV7000B,PC,T2,GE BLACK,14	SA	1
1-6	3		DG61-02226A	HOLDER KNOB; NV7000B,PC,T2,GE BLACK,-,HB,	SA	1
1-7	3	C025	DG64-01033B	KNOB; NV7000B 4 SERIES,PC,HB,GE BLACK,NEO	SA	1

Exploded Views and Parts List

No.	Lvl.	Loc.	Material Code	Description & Specification	SNA	Qty.
1-8	3	C025	DG64-01048B	KNOB; NV7000B 4 SERIES,PC,HB,GE BLACK,NEO	SA	1
1-9	3	C179	DG92-01290E	ASSY PCB SUB; SUB,NV7000B,59.6x194mm,-,-,	SA	1
1-10	3	C001	DG94-04314B	ASSY CONTROL PANEL; NV7000B,STS,CHASSIS,4	SA	1
1-11	3		DG32-00018A	SENSOR MAG; MS0417T-0018A,5V,20037WR-03,T	SA	1
1-12	3		DG96-00400A	ASSY WIRE HARNESS-DC SIGNAL; NV9900J,Mode	SA	1
1-13	3		DG96-00893A	ASSY WIRE HARNESS-DC SIGNAL; NV7000B,230V	SA	1