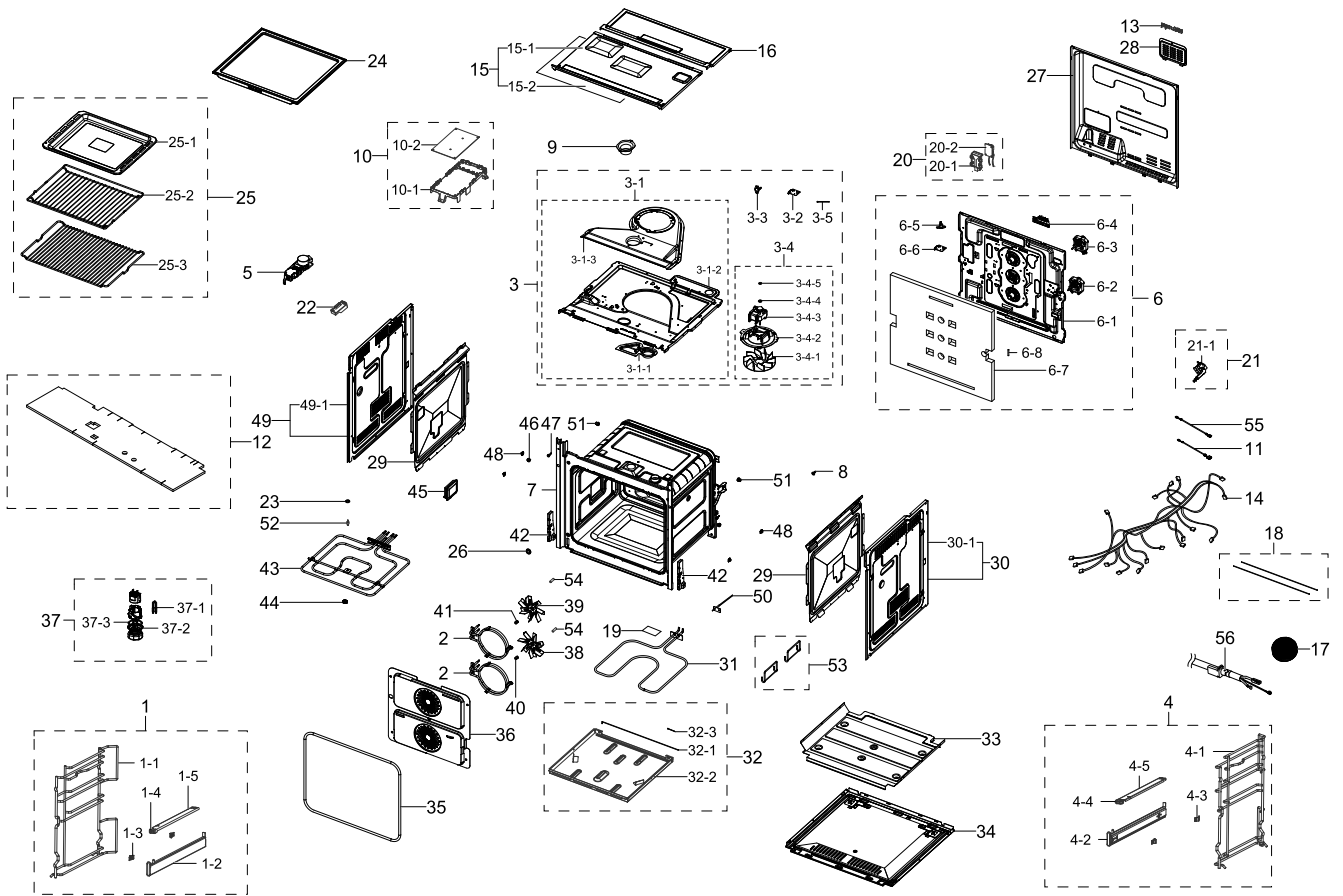


1. NV75K5571RS/EC

Exploded View



Parts List

No.	Lvl.	Loc.	Material Code	Description & Specification	SNA	Qty.
1	2		DG94-01403C	ASSY SUPPORTER RACK-LEFT; 699,599,TWIN, S	SA	1
1-1	3		DG67-00113A	RACK WIRE SUPPORT-LEFT; NV9900J,MSWR,699,	SA	1
1-2	3	P444	DG61-00468A	RAIL-TELESCOPIC L; TELESCOPIC MODEL,STS30	SA	1
1-3	3		DG61-00344A	HOLDER-RAIL; TELESCOPIC MODEL,STS304,T0.8	SNA	2
1-4	3		DG63-00146A	COVER-PARTITION RAIL-L; E-OVEN,TEFLON,BLA	SA	1
1-5	3		DG63-00651A	COVER PARTITION-LEFT; NV9900J,STS304,T0.5	SA	1
2	2	H048	DG47-00009A	HEATER SHEATH-CONVECTION; AC230V,1200W,SU	SA	2
3	1	P214	DG94-03069Q	ASSY BRACKET UPPER; NV75J7570RS/EF,NV9900	SNA	1

Exploded Views and Parts List

No.	Lvl.	Loc.	Material Code	Description & Specification	SNA	Qty.
3-1	2	P219	DG94-03211L	ASSY BRACKET UPPER-SUB; NV73J7740RS,Non-C	SNA	1
3-1-1	3		DG61-00893A	BRACKET GUIDE; ALL,ALCOAT-SA1C,T0.5,W47	SNA	1
3-1-2	3	M003	DG61-00887A	BRACKET-UPPER; ALL,GI-SGCC,T0.6,W	SNA	1
3-1-3	3		DG63-00376B	COVER AIR; GI-SGCC,T0.5,V-0	SNA	1
3-2	2	H012	DE61-01371A	BRACKET-TCO; SMH9151B/XAA,EGI-SECC	SA	2
3-3	2	M029	DG47-00010C	THERMOSTAT; AC125/250V,15/16A,140C,0C,S.O	SA	1
3-4	2	M020	DG96-00566L	ASSY MOTOR FAN; NV75J7570RS/EF,SMF-E610PO	SNA	1
3-4-1	3	M261	DG67-00017A	FAN-COOLING; BT62FQBPST,PA66,NYLON#66 GF1	SA	1
3-4-2	3	M260	DG61-00056A	SUPPORT-MOTOR COOLING; BT63BSST,PA66,V-0,	SA	1
3-4-3	3		DG31-00001F	MOTOR AC FAN; SMF-E610POL,2,230V,50Hz,35W	SA	1
3-4-4	3	H024	DE60-30016A	NUT FLANGE; MSWR-SWRM,MSWR10	SNA	3
3-4-5	3	H009	DE60-40026B	WASHER PLAIN; ZNC,OD12,T1.0,SBC1	SNA	1
3-5	2	M058	6052-000076	CABLE CLAMP; PI 5.0, L94mm,T0.3,Si,WHITE	SNA	2
4	2		DG94-01403D	ASSY SUPPORTER RACK-RIGHT; 699,599,TWIN,	SA	1
4-1	3		DG67-00113B	RACK WIRE SUPPORT-RIGHT; NV9900J,MSWR,699	SA	1
4-2	3	P445	DG61-00469A	RAIL-TELESCOPIC R; TELESCOPIC MODEL,STS30	SA	1
4-3	3		DG61-00344A	HOLDER-RAIL; TELESCOPIC MODEL,STS304,T0.8	SNA	2
4-4	3		DG63-00147A	COVER-PARTITION RAIL-R; E-OVEN,TEFLON,BLA	SA	1
4-5	3		DG63-00652A	COVER PARTITION-RIGHT; NV9900J,STS304,T0.	SA	1
5	2		DG94-01119A	ASSY DOOR LOCK; NV9900J,PYRO	SA	1
6	1		DG94-01075C	ASSY COVER ADIABATIC-REAR; NV9900J,Twin P	SNA	1
6-1	2		DG63-00389A	COVER ADIABATIC-REAR; NV9900J,GI-SGCC,T0.	SNA	1
6-2	2	H001	DG31-00019A	MOTOR AC CONVECTION; LOBSTAR,SMC-EBQV1B,2	SA	1
6-3	2	H001	DG31-00018A	MOTOR AC CONVECTION; 24" OVEN,SMC-EBQV1A,	SA	1
6-4	2	G005	DG65-00002A	TERMINAL BLOCK; BT63BSST,450V,41A,VDE,NO,	SA	1
6-5	2	M464	DG47-00010A	THERMOSTAT; AC125/250V,15/16A,130C,0C,S.O	SA	2
6-6	2	H012	DE61-01371A	BRACKET-TCO; SMH9151B/XAA,EGI-SECC	SA	2

No.	Lvl.	Loc.	Material Code	Description & Specification	SNA	Qty.
6-7	2	M215	DG62-00142B	ADIABATIC; CERAMIC WOOL,T25,W520,L480,96K	SNA	1
6-8	2	M413	DG62-00021A	TUBE-GLASS; FTQ386,GLASS FIBER,4.1,60MM,3	SNA	2
7	2	P141	DG94-02847A	ASSY CAVITY-COATING; NV9900J,75L,ENAMEL,N	SNA	1
8	2	X009	DE60-10065A	SCREW-TAPPING; TH,+,2S,M4,L6,NI PLT,SWRCH	SNA	2
9	2		DG61-00895A	BRACKET PIPE; ALL,GI-SGCC,T0.5,W27.7,L0.6	SNA	1
10	2	C164	DG94-01081L	ASSY HOLDER PCB; NV75K5571RS	SNA	1
10-1	3		DG61-00909A	HOLDER PCB-MAIN; ALL,PA66,T2,BLACK,V-0,GF	SNA	1
10-2	3		DE94-03664A	ASSY PCB EEPROM; 0x01- EU, PTC,DE92-03749	SA	1
11	2	W036	DG96-00390A	ASSY WIRE HARNESS-EARTH; NV9900J,Halogen	SA	1
12	2	M215	DG62-00149A	ADIABATIC; MAIN, Non-Pyro,GLASS WOOL,T25,	SNA	1
13	2		DG61-00405A	HOLDER-CABLE; DX6292K,PA66,WHITE	SA	1
14	2		DG96-00446A	ASSY WIRE HARNESS-MAIN; NV75K5571, TW PY	SA	1
15	2	H094	DG94-00361A	ASSY CASE-UPPER; BF641FST,GI,T0.5	SA	1
15-1	3	H051	DG61-00052A	CASE-UPPER A; BT63BSST,GI-SGCC,T0.5,W570.	SA	1
15-2	3		DG63-00200A	CUSHION-CASE UPPER; BF641FST,CR FOAM,T1.5	SNA	1
16	2	H052	DG61-00053A	CASE-UPPER B; BT63BSST,GI-SGCC,T0.5,W567.	SNA	1
17	2	P283	DG63-00096A	FILTER-CERAMIC; BT62FQBPST,CERAMIC	SNA	1
18	2	M243	DG70-00002A	WIRE-STEEL; BT63BSST,MSWR-SWRM,,T1.0,L200	SNA	2
19	2	M389	DG62-00017A	ADIABATIC HEATER; BT62FQBPST,CERAMIC WOOL	SNA	1
20	2		DG94-00385C	ASSY HOLDER NOISE FILTER; STEAM _ JUPITER	SA	1
20-1	3	M264	DG61-00444C	HOLDER NOISE FILTER; BI-SINGLE,PBT+GF,BLA	SNA	1
20-2	3	M017	DG96-00021A	ASSY NOISE FILTER; SN-BF63,250V/18A,-,0.6	SA	1
21	2		DG97-00014G	ASSY PARTITION SWITCH; BT62CDSTR-BASIC,-,	SA	1
21-1	3	B048	3405-001034	SWITCH-MICRO; 125/250VAC,16A,200gf,SPST-N	SA	1
22	2		DG61-01057A	HOLDER LOCK; PA66,BLACK,16's VE NV9900J ,	SNA	1
23	2	H024	DE60-30016A	NUT FLANGE; MSWR-SWRM,MSWR10	SNA	4
24	2	B034	DG94-00743A	ASSY-PARTITION; NV6786BNESR,NEO PJT	SA	1

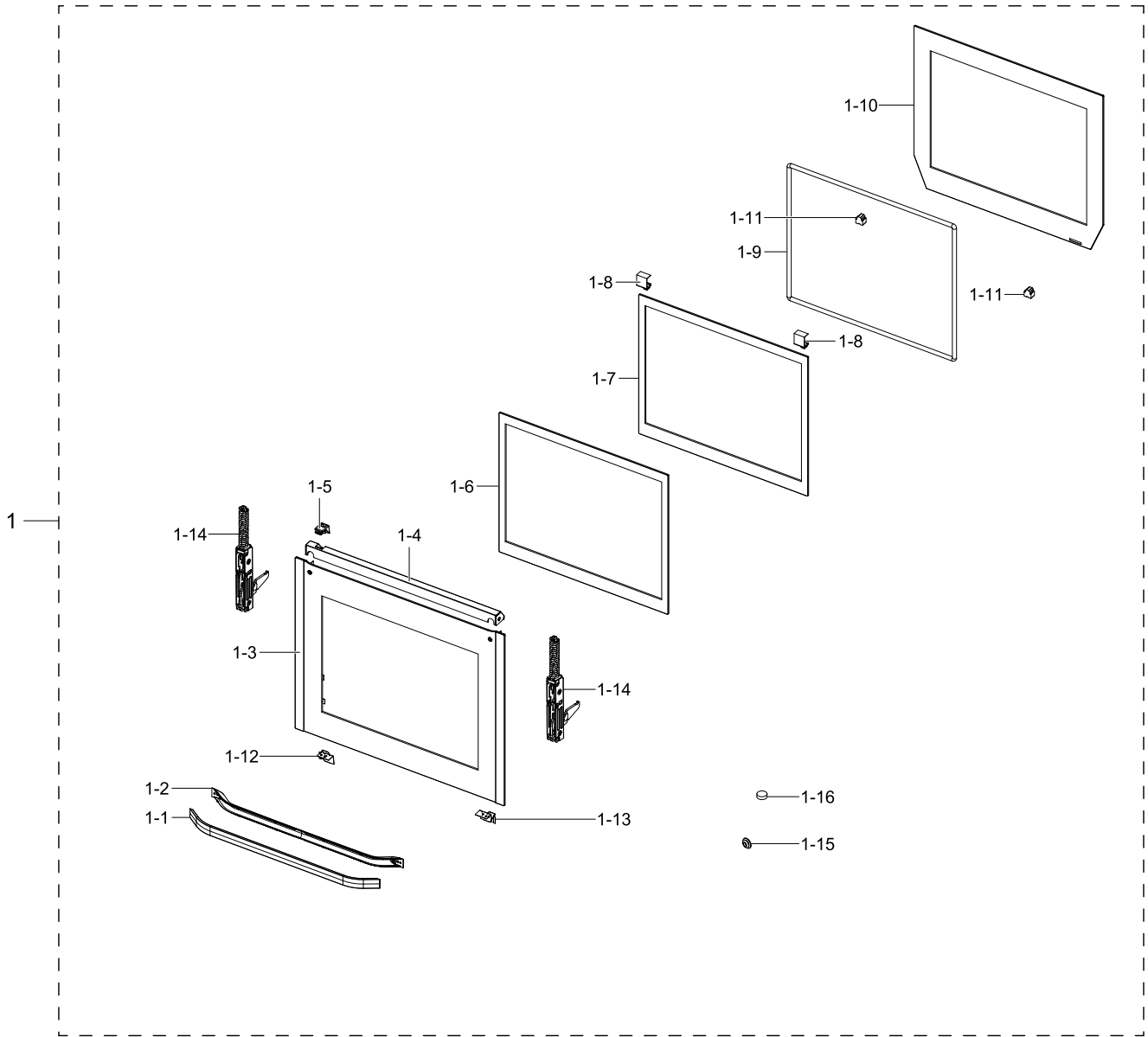
Exploded Views and Parts List

No.	Lvl.	Loc.	Material Code	Description & Specification	SNA	Qty.
25	1		DG98-02073J	ASSY PACKING ACCESSORY; NV75K5541BS/EF	SNA	1
25-1	2	T111	DG63-00011A	TRAY-BAKING B; CR-SPP,T0.6,ENAMEL COATING	SA	1
25-2	2		DG75-01061C	RACK WIRE; NV9900J,NV9900J,MSWR,-,W349,L4	SA	1
25-3	2	M272	DG59-00004A	RACK-WIRE ROAST; MSWR,SNC2 COATING	SA	1
26	2	M262	6031-001545	WASHER-SPRING; STS430,ID5,OD11.8,T0.3,Dar	SNA	4
27	2	P186	DG63-00240A	COVER BACK; BQV1Q6T014,GI-SGCC,T0.5,Z12	SNA	1
28	2	H050	DG61-00031A	BRACKET-AS COVER; BT63BSST,GI-SGCC,T0.5,W	SNA	1
29	2		DG63-00390A	COVER ADIABATIC-SIDE; NV9900J,GI-SGCC,T0.	SNA	2
30	2		DG94-00328G	ASSY CASE-RIGHT; NV9900J 75L PYRO,HANDLE	SA	1
30-1	3	H053	DG61-00654E	CASE-RIGHT; NV9900J,GI-SGCC,T0.5,L533,SPA	SA	1
31	2	M224	DG47-00007A	HEATER SHEATH-BOTTOM; AC230V,BKT Type(Fix	SA	1
32	2	P229	DG97-00105B	ASSY COVER-BOTTOM HEATER; BT62FQBPST,-,-,	SA	1
32-1	3	U029	DG66-00014A	WIRE-COVER BOTTOM HEATER; BT62FQBPST,STAI	SNA	1
32-2	3	M241	DG63-00007A	COVER-BOTTOM HEATER; BT63BSST,GI-SGCC,T0.	SNA	1
32-3	3	U028	DG47-00027A	HOLDER-R PIN; BT62FQBPST	SNA	1
33	2	P280	DG63-00083A	COVER-ADIABATIC LOWER; BT62FQBPST,GI-SGCD	SNA	1
34	2		DG61-00881A	BASE BOTTOM; GI-SGCD,T0.6,555,610	SNA	1
35	2	M370	DG63-00095B	GASKET DOOR; NV9900J,GLASS FIBER,L1837.4,	SA	1
36	2		DG63-00387A	COVER CASING; NV9900J,CR-SPP,T0.6,-,TWIN,	SA	1
37	2	M254	DG47-00073A	ASSY LAMP-HALOGEN; BT62FQBPST,613102,230V	SA	1
37-1	3	U013	4713-001967	LAMP-HALOGEN; 230V,100mA,25W,2600K,400Lm,	SNA	1
37-2	3	M265	DG63-00029A	COVER-RING BULB; BT63BSST,STS304,T0.5	SA	1
37-3	3	M250	DG63-00098A	SHEET-RING BULB; BT62FQBPST,STS304,T0.5,W	SNA	1
38	2		DG67-00011C	FAN CONVECTION; 24"OVEN,ALCOAT-SA1C,Pi 12	SA	1
39	2		DG67-00001C	FAN CONVECTION; 24"OVEN,ALCOAT-SA1C,Pi 12	SA	1
40	2	X107	6021-001208	NUT-HEXAGON CAP; M4,NI PLT,SWRCH10A	SNA	1

No.	Lvl.	Loc.	Material Code	Description & Specification	SNA	Qty.
41	2	X107	6021-001211	NUT-HEXAGON CAP; M4,NI PLT,SWRCH10A,LEFT	SNA	1
42	2		DG61-00930A	SUPPORT HINGE; NV9900J,GI-SGCC,T1.6,-	SA	2
43	2	H071	DG47-00047C	HEATER SHEATH-GRILL; AC230V,BKT Type(Swin	SA	1
44	2	Z779	6021-001207	NUT-CIRCULAR; M5,NI PLT,SWRCH10A,MESHING	SNA	1
45	2	M036	DG96-00371A	ASSY LAMP-HALOGEN; NV9900J,613103,230V 40	SA	1
46	2	M242	DG63-00119A	COVER SCREW; BT65FQBPST,ABS,BLUE(74171),	SA	2
47	2	M268	DG73-00002A	RUBBER-CUSHION; BT63BSST,SI RUBBER,BI,DAR	SA	2
48	2	M188	DG61-00341A	BRACKET-HOLDER RACK; FLAT ALL MODEL,STS30	SNA	4
49	2		DG94-00329H	ASSY CASE-LEFT; NV9900J 75L PYRO,HANDLE H	SA	1
49-1	3	H054	DG61-00655F	CASE-LEFT; NV9900J,GI-SGCC,T0.5,L533,SPAC	SA	1
50	2	M300	DG32-00004B	SENSOR TEMP; 1Kohm	SA	2
51	2	H130	DG94-00332A	HOLDER RACK; -,STS304,-,-,-,-,-,-,-,-	SA	2
52	2		DG61-00988A	STUD GRILL; STS304,NV9900J	SA	1
53	2		DG64-00470A	HANDLE GRIP; BT62FQBPST,MSWR,Ni-Cr Platin	SA	2
54	2	H049	DG60-00001A	SPACER-FAN CONVECTION; BT63BSST,STKM11A,L	SA	2
55	2	W006	DG96-00044B	ASSY WIRE HARNESS-EARTH; DX6211KUU,230V/5	SA	1
56	2	M015	DG96-00084A	POWER CORD-AT; H05VV-F 3x1.5mm2,BLK,-,-,F	SA	1

2. Assy Door

Exploded View



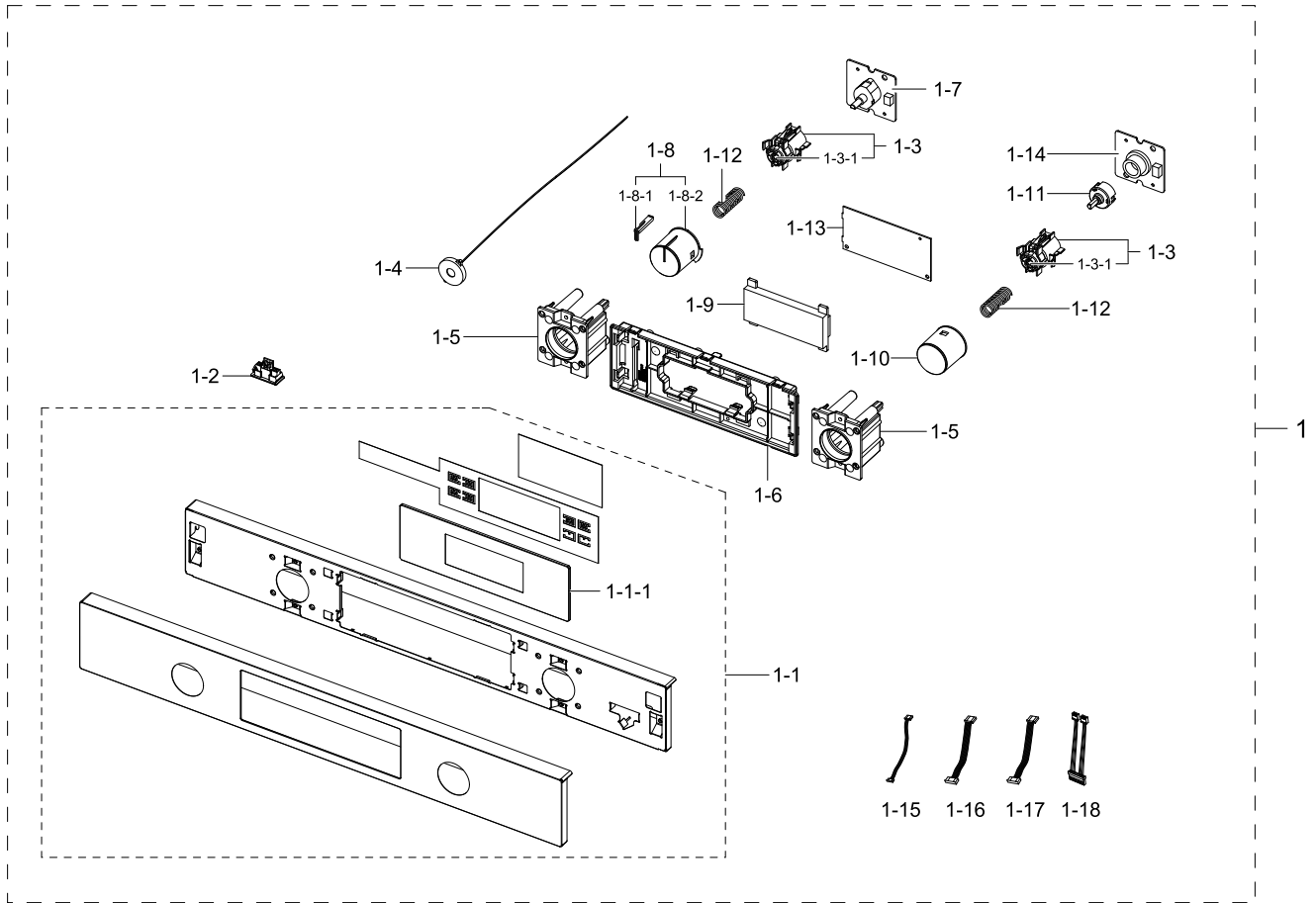
Parts List

No.	Lvl.	Loc.	Material Code	Description & Specification	SNA	Qty.
1	1	D049	DG94-01090G	ASSY DOOR; NV75K5571RS,VE NV9900J,699,Dua	SA	1
1-1	2	D019	DG64-00508A	HANDLE DOOR; NV9900J,A1,REAL STS430	SA	1
1-2	2		DG61-00913A	SUPPORT HANDLE; ALL,PC,V-0,141R	SNA	1
1-3	2	D015	DG94-01083B	ASSY DOOR SUB; NV9900J,Pyro	SA	1
1-4	2		DG67-00091A	DUCT DOOR; PYRO ALL,GA-SGCD,T0.8	SNA	1
1-5	2		DG61-00908A	HOLDER DOOR LOCK; PYRO,PA66,T1.7936,BLACK	SNA	1

No.	Lvl.	Loc.	Material Code	Description & Specification	SNA	Qty.
1-6	2		DG64-00513B	GLASS DOOR-MIDDLE; NV9900J,GLASS,T4,W481,	SNA	1
1-7	2		DG64-00136C	GLASS DOOR-MIDDLE; NV9900J,GLASS,T4,TEMPE	SNA	1
1-8	2		DG61-00916A	HOLDER GLASS; NV9900J,STS301,T0.5	SNA	2
1-9	2	S122	DG63-00380A	GASKET; NV9900J,GLASS FIBER,W390,L470,DAR	SA	1
1-10	2		DG64-00514A	GLASS DOOR-IN; NV9900J,GLASS,T4,W538,L463	SNA	1
1-11	2		DG61-00987A	HOLDER GLASS RUBBER; SI,SILICONE BLACK, H	SNA	2
1-12	2		DG63-00374A	COVER HINGE-LEFT; GA-SGCD,T0.8	SNA	1
1-13	2		DG63-00375A	COVER HINGE-RIGHT; GA-SGCD,T0.8	SNA	1
1-14	2	V002	DG94-02344A	ASSY HINGE; NV9900J,75L, 4GLASS, NOMAL	SA	2
1-15	2	D147	DG73-00001A	RUBBER GLASS; BT63BSST,SILICON RUBBER,BLA	SNA	4
1-16	2	Z097	DG61-00986A	MAGNET; Nd,T2,D6,Holder door lock	SNA	1

3. Assy Control Box

Exploded View



Parts List

No.	Lvl.	Loc.	Material Code	Description & Specification	SNA	Qty.
1	1	C082	DG94-03234B	ASSY CONTROL BOX; NV75K5571BS,230V 50Hz,S	SA	1
1-1	2	C001	DG94-03233M	ASSY CONTROL PANEL; NV75K5571RS,STS,VE NV	SA	1
1-1-1	3	C004	DG34-00038A	SWITCH MEMBRANE; PET,20pin	SA	1
1-2	2		DG32-00014A	SENSOR MAG; MS-407-SS-OV,5V,TMR-Door,-20	SA	1
1-3	2		DG94-01293A	ASSY POP UP; KNOB POP IN/OUT	SA	2
1-3-1	3	C271	DG61-00259A	SPRING ETC-RETENSION; BF641FST,SK5,P11,T0	SNA	2
1-4	2	C197	DE96-00686B	ASSY BUZZER; E-OVEN,KPR-G3020-450,450mm,2	SA	1
1-5	2		DG61-00902A	HOLDER KNOB; SINGLE VAPOR,PC,T2.5,BLACK,H	SA	2
1-6	2	C226	DG61-00906A	HOLDER DISPLAY; NV75J5140BS,PC,BLACK,V-2,	SNA	1

No.	Lvl.	Loc.	Material Code	Description & Specification	SNA	Qty.
1-7	2	C319	DE96-00994A	ASSY-MODE; NV6786BNESR/WT,DAM-NEO MODE-00	SA	1
1-8	2		DG94-01411A	ASSY KNOB; NV9900 VE,SILVER SELECT	SA	1
1-8-1	3		DG64-00395A	BUTTON-INDICATOR; NEO PJT,PC,GE BLACK	SNA	1
1-8-2	3	C185	DG64-00394B	KNOB-DIAL SELECT; NV6786BNESR,PC,BLACK,NE	SNA	1
1-9	2	Y040	DG07-01007A	LED DISPLAY; 7S,14D,NV7000N LED, WIFI,IBL	SA	1
1-10	2		DG94-01411B	ASSY KNOB; NV9900 VE,SILVER ENCODER	SA	1
1-11	2		DG61-00250B	HOLDER SWITCH; 24"EVN,PA66,BLACK,GF15%,EN	SA	1
1-12	2	C188	DG61-00069A	SPRING ETC-POP UP; BT63BSST / BWT,STAINLE	SA	2
1-13	2	C179	DE92-03751H	ASSY PCB SUB; NV9900J_SUB,NV9900J_VE,120.	SA	1
1-14	2	C317	DE96-00995A	ASSY-DIAL; NV6786BNESR/WT,DAM-NEO DIAL-00	SA	1
1-15	2		DG96-00385A	ASSY WIRE HARNESS-DC SIGNAL; NV9900J,12VD	SA	1
1-16	2		DG96-00386A	ASSY WIRE HARNESS-DISPLAY; NV9900J,12VDC	SNA	1
1-17	2		DG96-00398A	ASSY WIRE HARNESS-DC SIGNAL; NV9900J,Main	SA	1
1-18	2		DG96-00400A	ASSY WIRE HARNESS-DC SIGNAL; NV9900J,Mode	SA	1