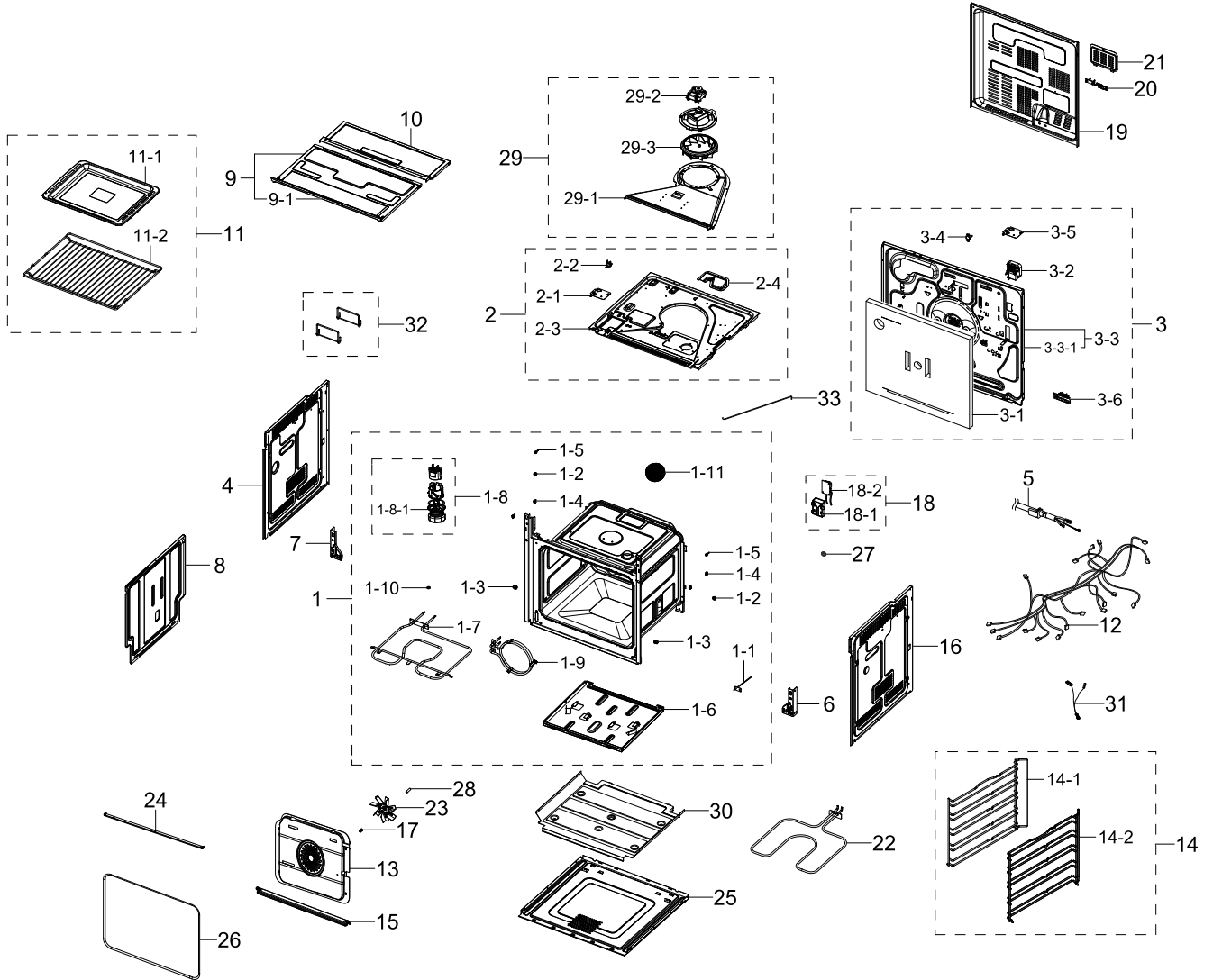


1. Main

Main

Exploded View



Parts List

No.	Lvl.	Loc.	Material Code	Description & Specification	SNA	Qty.
1	2		DG94-04146C	ASSY CAVITY-SUB; NV68A1170BS/EF,Non MEAT	SNA	1
1-1	3	M300	DG32-00004B	SENSOR TEMP; PTC CLASS B,L150,1.0kohm,2%,	SA	1
1-2	3	M242	DG63-00119A	COVER SCREW; BT65FQBpst,ABS,BLUE,HG-0760S	SA	2
1-3	3	H130	DG94-00332A	HOLDER RACK; -,STS304,-,-,-,-,-,-,-,-,-,-	SA	2
1-4	3	M188	DG61-00341A	BRACKET-HOLDER RACK; FLAT ALL MODEL,STS30	SA	4

Exploded Views and Parts List

No.	Lvl.	Loc.	Material Code	Description & Specification	SNA	Qty.
1-5	3	M268	DG73-00002A	RUBBER-CUSHION; BT63BSST,SI RUBBER,BI,DAR	SA	2
1-6	3		DG63-00007C	COVER HEATER-BOTTOM; NV3300A,GI-SGCC,T0.5	SA	1
1-7	3	H071	DG47-00088A	HEATER SHEATH-GRILL; AC230V,BKT(FIXED),17	SA	1
1-8	3	M254	DG47-00073A	ASSY LAMP-HALOGEN; BT62FQBPST,613102,230V	SA	1
1-8-1	4	M265	DG63-00029A	COVER-RING BULB; BT63BSST,STS304,T0.5	SA	1
1-9	3	H061	DG47-00044A	HEATER SHEATH-CONVECTION; AC230V,1800W,SU	SA	1
1-10	3	H024	DE60-30016A	NUT FLANGE; MSWR-SWRM,MSWR10	SNA	5
1-11	3	P283	DG63-00096A	FILTER-CERAMIC; BT62FQBPST,CERAMIC	SA	1
2	2	P214	DG96-00037V	ASSY BRACKET UPPER; NV3300A,NEW ASSY DOOR	SNA	1
2-1	3	H012	DE61-01371A	BRACKET-TCO; SMH9151B/XAA,EGI-SECC	SA	1
2-2	3	M032	DG47-00010B	THERMOSTAT; AC125/250V,15/16A,120C,0C,S.O	SA	1
2-3	3	M003	DG61-00191D	BRACKET-UPPER; NV3300A,GI-SGCD,T0.5,W586,	SA	1
2-4	3	M013	DG61-00192A	BRACKET-AIR-GUIDE; BT62FQBPST,ALCOAT-SA1C	SA	1
3	2		DG94-04110A	ASSY COVER ADIABATIC-REAR; NV3300A,Pyro	SA	1
3-1	3	P287	DG62-00325A	ADIABATIC-REAR; GLASS WOOL,T25,W520,L460,	SNA	1
3-2	3	H001	DG31-00019A	MOTOR AC CONVECTION; LOBSTAR,SMC-EBQV1B,2	SA	1
3-3	3		DG94-04142A	ASSY COVER BACK; NV3300A	SNA	1
3-3-1	4		DG63-00729A	COVER ADIABATIC-REAR; NV3300A,GI-SGCC,T0.	SA	1
3-4	3	M032	DG47-00010B	THERMOSTAT; AC125/250V,15/16A,120C,0C,S.O	SA	1
3-5	3	H012	DE61-01371A	BRACKET-TCO; SMH9151B/XAA,EGI-SECC	SA	1
3-6	3	G005	DG65-00002A	TERMINAL BLOCK; BT63BSST,450V,41A,VDE,NO,	SA	1
4	2		DG94-00329C	ASSY CASE-L; GF94TRT001,COOKER,HANDLE HOL	SA	1
5	2	M015	DG96-00084A	POWER CORD-AT; H05VV-F 3x1.5mm2,BLK,-,-,F	SA	1
6	2	M293	DG61-00256A	SUPPORT HINGE-RIGHT; JM PYROLYTIC,GI-SGCC	SA	1

No.	Lvl.	Loc.	Material Code	Description & Specification	SNA	Qty.
7	2	M294	DG61-00255A	SUPPORT HINGE-LEFT; JM PYROLYTIC,GI-SGCC,	SA	1
8	2	P282	DG63-00085A	COVER-ADIABATIC-L/R; BT62FQBPST,GI-SGCD,T	SA	1
9	2	H094	DG94-00361A	ASSY CASE-UPPER; BF641FST,GI,T0.5	SA	1
9-1	3	H051	DG61-00052A	CASE-UPPER A; BT63BSST,GI-SGCC,T0.5,W570.	SA	1
10	2	H052	DG61-00053A	CASE-UPPER B; BT63BSST,GI-SGCC,T0.5,W567.	SNA	1
11	2		DG98-02247B	ASSY PACKING ACCESSORY; NV68A1140BK,Tray	SNA	1
11-1	3	T111	DG63-00011A	TRAY-BAKING B; CR-SPE,T0.6,ENAMEL COATING	SA	1
11-2	3	T030	DG75-01026A	RACK WIRE; BQ3N3T020,70L OVEN,MSWR,-,W461	SA	1
12	2		DG96-00865A	ASSY WIRE HARNESS-MAIN; NV68A1170BS,230VA	SA	1
13	2	H005	DG94-04135A	ASSY COVER CASING; NV3300A,CR-SPP,T0.8,EN	SA	1
14	2	T010	DG94-02442A	ASSY WIRE RACK; NV9900J,24A,25A	SA	1
14-1	3		DG75-01024B	RACK WIRE SUPPORT-LEFT; SINGLE(FLAT),NEW	SA	1
14-2	3		DG75-01025B	RACK WIRE SUPPORT-RIGHT; SINGLE(FLAT),NEW	SA	1
15	2		DG64-00413A	DOOR-GUTTER; NEO PJT,GA-SGCD,T0.5,EDP COA	SA	1
16	2		DG94-00328C	ASSY CASE-R; GF94TRT001,COOKER,HANDLE HOL	SA	1
17	2	X107	6021-001211	NUT-HEXAGON CAP; M4,NI PLT,SWRCH10A,LEFT	SNA	1
18	2	C164	DG94-00385E	ASSY HOLDER PCB; NV68A1172RS/EE,ASSY NOIS	SA	1
18-1	3	M264	DG61-00444C	HOLDER NOISE FILTER; BI-SINGLE,PBT+GF,BLA	SNA	1
18-2	3	M017	DG96-00870A	ASSY NOISE FILTER; 250V/20A,250V/20A,AC27	SA	1
19	2	P186	DG63-00009B	COVER BACK; BT62FQBPST,GI-SGCC,T0.5,W630,	SA	1
20	2		DG61-00405A	HOLDER-CABLE; DX6292K,PA66,NATURAL,KN3311	SA	1
21	2	H050	DG61-00031A	BRACKET-AS COVER; BT63BSST,GI-SGCC,T0.5,W	SNA	1
22	2	M224	DG47-00007A	HEATER SHEATH-BOTTOM; AC230V,BKT Type(Fix	SA	1
23	2		DG67-00011C	FAN CONVECTION; 24"OVEN,ALCOAT-SA1C,Pi 12	SA	1

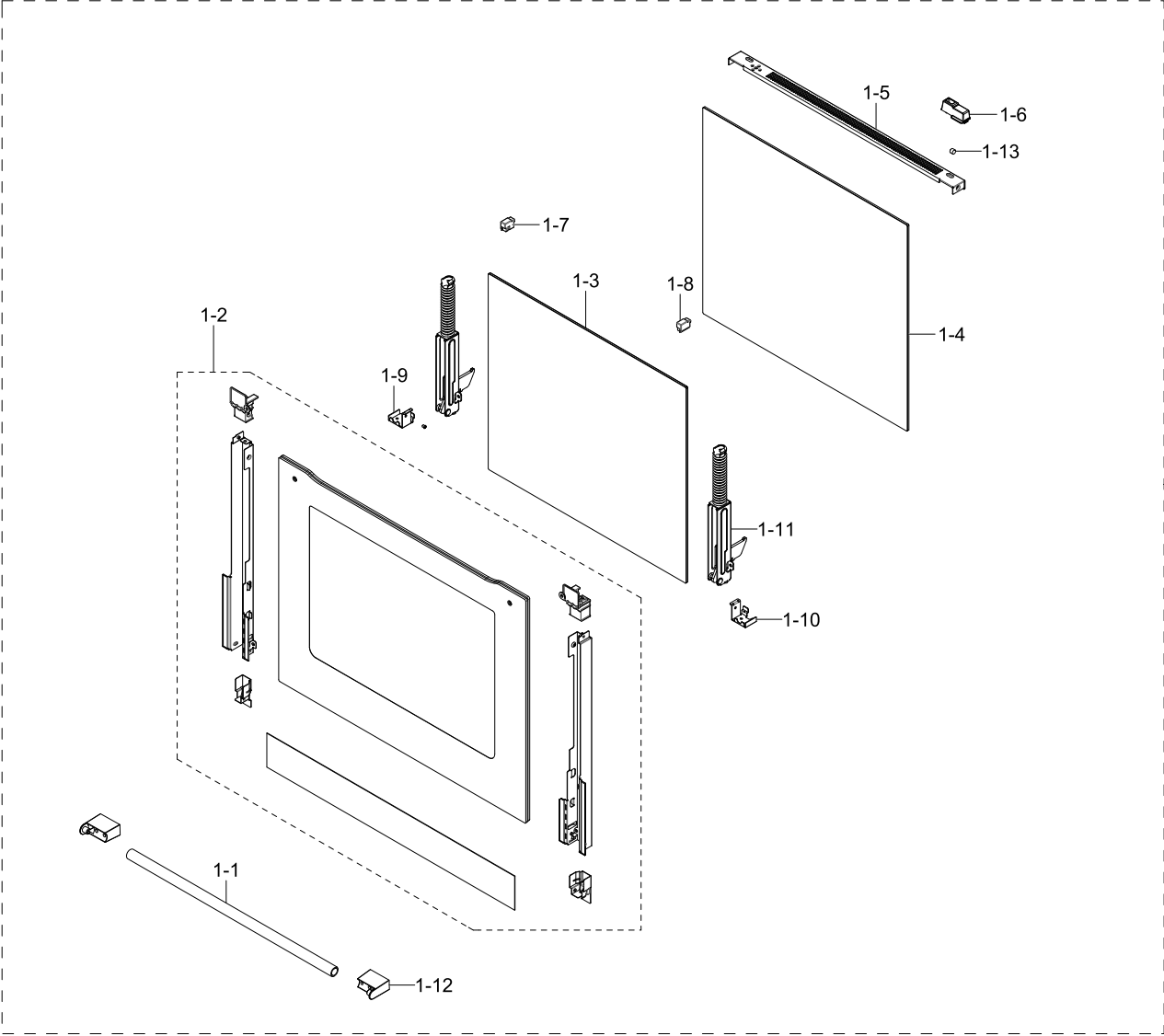
Exploded Views and Parts List

No.	Lvl.	Loc.	Material Code	Description & Specification	SNA	Qty.
24	2		DG61-00731B	BRACKET GUIDE; NV3300A,ALCOAT-SA1C,T0.8,W	SNA	1
25	2	U075	DG61-00051A	BASE BOTTOM; BT63BSST,GI-SGCD,T0.5,BI	SNA	1
26	2	M370	DG63-00095A	GASKET DOOR; BT62FQBPST,GLASS FIBER,FIBER	SA	1
27	2	M262	6031-001545	WASHER-SPRING; STS430,ID5,OD11.8,T0.3,Dar	SNA	4
28	2	H049	DG60-00001A	SPACER-FAN CONVECTION; BT63BSST,STKM11A,L	SA	1
29	2	M020	DG96-00566Z	ASSY MOTOR FAN; NV68A1172RS,SMF-E610POL,2	SNA	1
29-1	3	M392	DG63-00086B	COVER-FAN-COOLING; BT62FQBPST,GI-SGCC,T0.	SA	1
29-2	3		DG31-00001F	MOTOR AC FAN; SMF-E610POL,2,230V,50Hz,35W	SA	1
29-3	3		DG67-00180A	FAN COOLING; DUAL DOOR,PA66+GF15%,DUAL DO	SNA	1
30	2	P280	DG63-00083A	COVER-ADIABATIC LOWER; BT62FQBPST,GI-SGCD	SNA	1
31	2	W006	DG96-00197A	ASSY WIRE HARNESS-EARTH; BQ3N3T013,240VAC	SA	1
32	2		DG64-00470A	HANDLE GRIP; BT62FQBPST,MSWR,Ni-Cr Platin	SA	2
33	2		DG67-00235A	HOLDER SUPPORT; NV3300A,HSWR	SNA	1

2. Assy Door

Assy Door

Exploded View



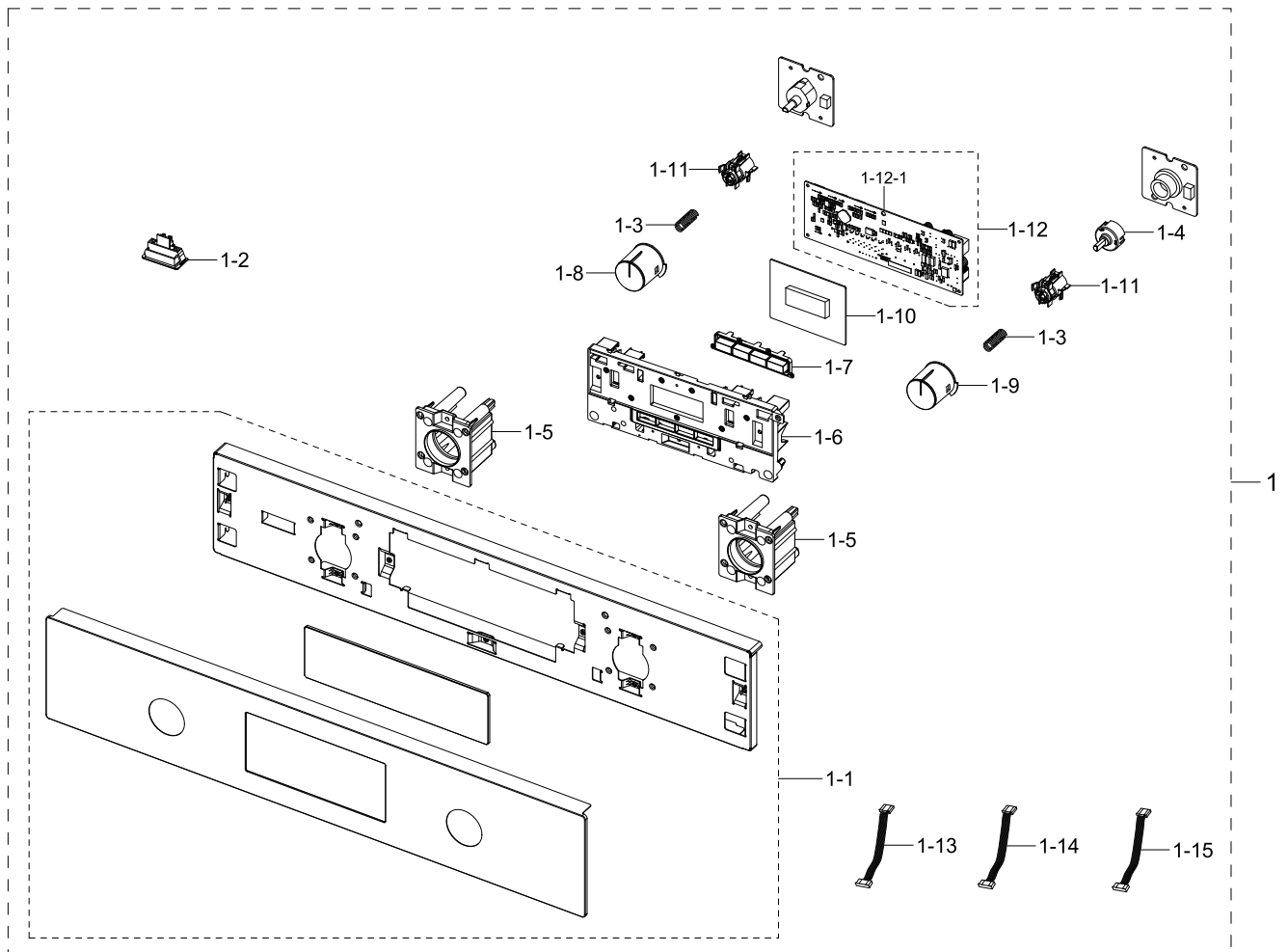
Parts List

No.	Lvl.	Loc.	Material Code	Description & Specification	SNA	Qty.
1	1	D049	DG94-04127A	ASSY DOOR; NV3300A,PYRO, SILVER HANDLE	SA	1
1-1	2	D019	DG64-00015A	HANDLE DOOR; BF62CBST,Al,HG-0760SR,GE WHI	SA	1
1-2	2	D015	DG94-00075T	ASSY DOOR SUB; NV70K3370BB,NEW METRO , 49	SNA	1
1-3	2	D109	DG64-00154B	GLASS-DOOR MIDDLE; BT62FQBPST,GLASS,T4,W4	SNA	1
1-4	2	D110	DG64-00439A	GLASS-DOOR INNER; NV70F7796MS,GLASS,T4,W4	SNA	1
1-5	2		DG67-00027D	DUCT DOOR; NV68A1170BS,GA-SGCC,T0.8,W29.7	SNA	1
1-6	2		DG61-02061A	HOLDER DOOR LOCK; NV3300A,PA66,BLACK,KN33	SA	1
1-7	2	P421	DG61-00351A	HOLDER-GLASS RUBBER L; BQ2Q7G069,SI,BLACK	SA	1
1-8	2	P420	DG61-00350A	HOLDER-GLASS RUBBER R; BQ2Q7G069,SI,BLACK	SA	1
1-9	2		DG63-00316B	COVER HINGE-L; NV70F7796MS,GA-SGCC,T1.2,W	SA	1
1-10	2		DG63-00316A	COVER HINGE-R; NV70F7796MS,GA-SGCC,T1.2,W	SA	1
1-11	2	V002	DG94-02343A	ASSY HINGE; NEW METRO,70L PYRO	SA	2
1-12	2	D026	DG63-00025B	COVER HANDLE; BT62FQBPST,PC,HB,BLACK,SILV	SA	2
1-13	2	Z097	DG61-00986A	MAGNET; Nd,T2,D6,Holder door lock	SNA	1

3. Assy Control Box

Assy Control Box

Exploded View



Parts List

No.	Lvl.	Loc.	Material Code	Description & Specification	SNA	Qty.
1	1	C082	DG94-04134A	ASSY CONTROL BOX; NV68A1170BS, NV68A1170R	SNA	1
1-1	2	C001	DG94-04129A	ASSY CONTROL PANEL; NV3300A,PYRO, STS	SA	1
1-2	2		DG32-00014A	SENSOR MAG; MS-407-SS-OV,5V,TMR-Door,-20	SA	1
1-3	2	C188	DG61-00069A	SPRING ETC-POP UP; BT63BSST / BWT,STAINLE	SA	2
1-4	2		DG61-00250B	HOLDER SWITCH; 24"EVN,PA66,BLACK,KN333G15	SA	1
1-5	2		DG61-00902A	HOLDER KNOB; SINGLE VAPOR,PC,T2.5,BLACK,H	SA	2

Exploded Views and Parts List

No.	Lvl.	Loc.	Material Code	Description & Specification	SNA	Qty.
1-6	2	C226	DG61-02059A	HOLDER DISPLAY; NV3300A,PC,T1.8,GE BLACK,	SNA	1
1-7	2		DG64-00572B	BUTTON SELECT; NV3300A,PC,HB,GE BLACK	SA	1
1-8	2	C025	DG64-01003A	KNOB; NV3300A,PC,GE BLACK,MODE, NEO STS S	SA	1
1-9	2	C025	DG64-01004A	KNOB; NV3300A,PC,GE BLACK,ENCODER, NEO ST	SA	1
1-10	2		DG92-01243A	ASSY PBA MODULE-DISPLAY; Display Module,N	SA	1
1-11	2		DG94-01293A	ASSY POP UP; KNOB POP IN/OUT	SA	2
1-12	2		DG94-04158A	ASSY PCB EEPROM; EEP_02,DG92-01238A,NV330	SA	1
1-12-1	3	F316	DG92-01238A	ASSY PCB MAIN; NEW_METRO_MAIN,NV3300A,242	SA	1
1-13	2	W004	DG96-00290A	ASSY WIRE HARNESS-DC SIGNAL; NV6786BNESR/	SA	1
1-14	2	W005	DG96-00291A	ASSY WIRE HARNESS-DC SIGNAL; NV6786BNESR/	SA	1
1-15	2		DG96-00453A	ASSY WIRE HARNESS-DC SIGNAL; NV70K3370, S	SA	1