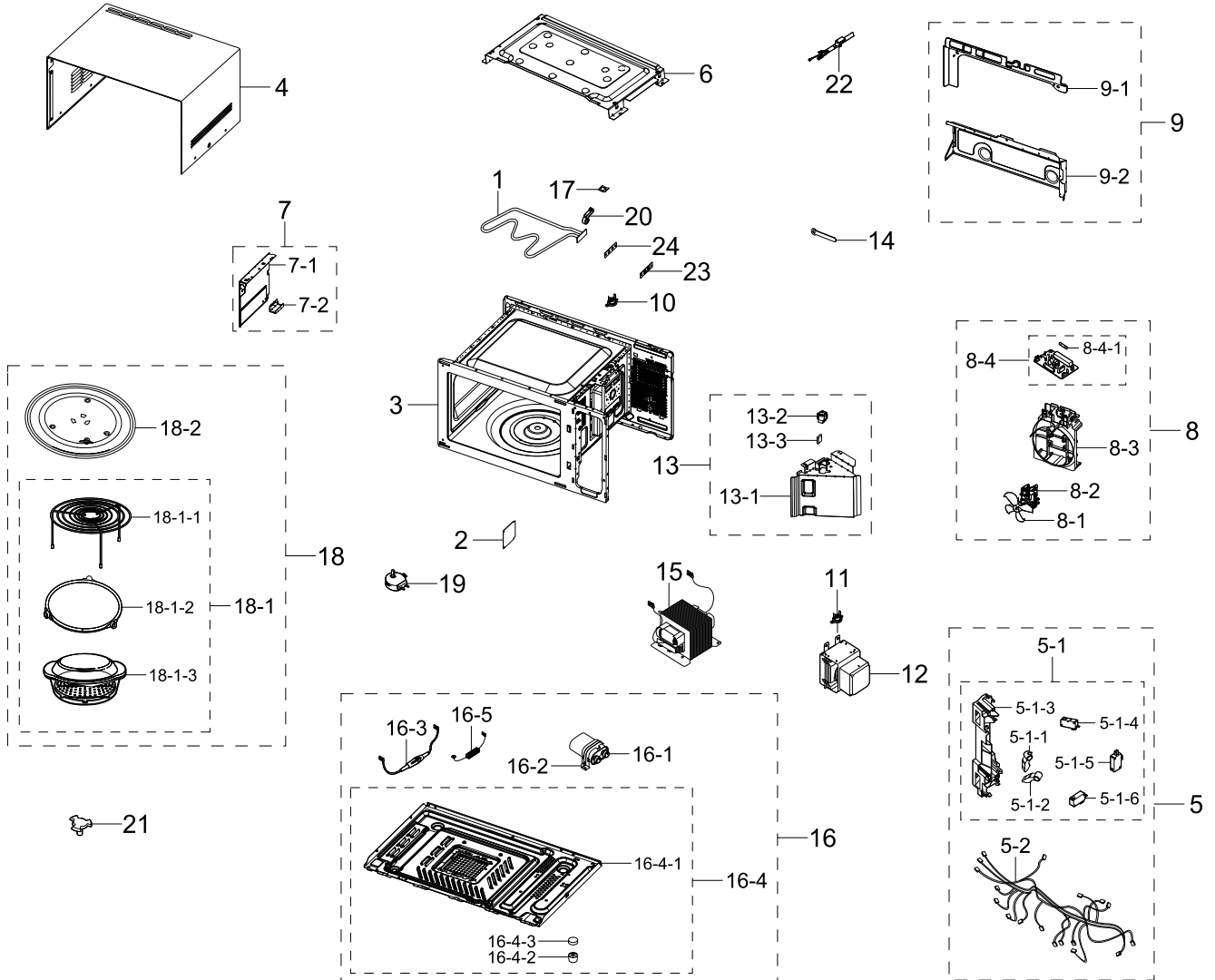


1. Main

Main

Exploded View



Parts List

No.	Lvl.	Loc.	Material Code	Description & Specification	SNA	Qty.
1	2	H071	DE47-00055B	HEATER SHEATH-GRILL; AC220V,BKT,1350W,SUS	SA	1
2	2	M051	DE63-00237A	COVER-CEILING; CE297DN-5,MICA SHEET,T0.3,	SA	1
3	2	Y103	DE94-03133B	ASSY CAVITY COATING; MG28H5125NK/EF,1.1CU	SNA	1
4	2	M001	DE64-01161Y	PANEL OUTER; MC28H5013AK/BW,EGI-SECC,T0.6	SA	1
5	2		DE94-03444E	ASSY HOLDER-WIRE; MG28H5125NK/EF,DE94-029	SA	1

Exploded Views and Parts List

No.	Lvl.	Loc.	Material Code	Description & Specification	SNA	Qty.
5-1	3	B022	DE94-02993B	ASSY BODY LATCH; NC2K HANDLE TYPE(SOLO & GR	SA	1
5-1-1	4	B010	DE66-00093A	LEVER SWITCH-A; NC2000,PP+TD30%,TB53,NATU	SA	1
5-1-2	4	B011	DE66-00094A	LEVER SWITCH-B; NC2000,PP+TD30%,TB53,NATU	SA	1
5-1-3	4	B070	DE72-00137B	LATCH BODY; PG113R,PP,-,-,WHITE,-,WHITE	SA	1
5-1-4	4	B048	3405-001034	SWITCH-MICRO; 125/250VAC,16A,200gf,SPST-N	SA	1
5-1-5	4	B046	3405-001032	SWITCH-MICRO; 125/250VAC,16A,200gf,SPDT,T	SA	1
5-1-6	4	S0021	3405-001116	SWITCH-MICRO; 125/250VAC,1A,200gf,SPST-NO	SA	1
5-2	3		DE96-01043B	ASSY WIRE HARNESS-MAIN; MG30T5018AG/EF,23	SA	1
6	2	P214	DE94-03178A	ASSY BRACKET UPPER; MC28H5013AK/BW,EGI-SE	SNA	1
7	2	M053	DE94-03571F	ASSY GUIDE AIR; 1.0 GRL NON SENSOR,EGI-SE	SNA	1
7-1	3		DE61-01595A	GUIDE AIR; MW7000K,EGI-SECC,T0.4,HOT BLAS	SNA	1
7-2	3		DE61-01738A	BRACKET GUIDE; MWO,EGI-SECC,T0.4,W23.8,L5	SNA	1
8	2	M020	DE96-01111C	ASSY MOTOR FAN; MG28J5255US/EN,230V,50Hz,	SNA	1
8-1	3	H099	DE31-90057A	BLADE-FAN; 3RD-W,PP,T1.5,T1.5,NATURAL	SA	1
8-2	3	M023	DE31-10185A	MOTOR AC FAN; SMF-3RDEA1,2,230V,50Hz,20W,	SA	1
8-3	3	P109	DE71-00061A	COVER MOTOR; 2 & 2 PROJECT,PP+TD30%,NATURAL	SA	1
8-4	3	M017	DE96-00399A	ASSY NOISE FILTER; SN-UF11A,250V/15A,250V	SA	1
8-4-1	4	M019	3601-001197	FUSE-CARTRIDGE; 250V,15A,SLOW-BLOW,CERAMI	SA	1
9	2		DE94-05254A	ASSY COVER BACK; 1.0cu.ft GRILL,EU REGULA	SNA	1
9-1	3		DE63-00950A	COVER BACK-SUB; PBT+GF15%,V-0,BLACK,B4406	SA	1
9-2	3	P186	DE71-60453A	COVER BACK; 3RD-1.0,EGI-SECC,T0.5,W146,L4	SNA	1
10	2	M029	DE47-20194C	THERMOSTAT; AC125/250V,15/10A,75C,65C,Nor	SA	1
11	2	M436	DE47-20009A	THERMOSTAT; AC125/250V,15/10A,150C,60C,No	SA	2
12	2	M035	OM75P(31)ESGN	ASSY-MGT; ASSY-MGT		1

No.	Lvl.	Loc.	Material Code	Description & Specification	SNA	Qty.
13	2		DE94-05210A	ASSY COVER AIR; 28 MWO SOLO_GRILL,GI-SGCC	SA	1
13-1	3		DE63-00943A	COVER AIR; 28L MWO SOLO_GRILL,GI-SGCC,T0.	SA	1
13-2	3		DE47-00041B	LAMP HOLDER HALOGEN; G9,1ea,SNAP IN FX,25	SA	1
13-3	3		4713-002365	LAMP-HALOGEN; 230V,25W,2500K,170Lm,13x42x	SA	1
14	2	M058	6052-000075	CABLE CLAMP; PI 5.0, L75mm,T0.3,Si,WHITE	SNA	1
15	2	M038	DE26-00152A	TRANS H.V; SHV-EPT10A,230V,2385V/3.45V,AL	SA	1
16	2	M155	DE96-00590P	ASSY BASE PLATE-MODULE; MG28H5125NK	SNA	1
16-1	3	M039	2501-001015	C-OIL HIGH VOLTAGE; 1000nF,2100V,BK,34x54	SA	1
16-2	3	M040	DE61-50106A	BRACKET-HVC; EGI-SECC,T0.8	SA	1
16-3	3	M042	DE91-70061A	ASSY H.V.FUSE; THV060T,5KV,800,SCREW,WHT,	SA	1
16-4	3	M045	DE96-00589E	ASSY BASE PLATE SUB; MS28H5125BK/ST	SNA	1
16-4-1	4	M048	DE61-00898E	BASE PLATE; MG28H5125NK/EF,GI-SGCC,T0.5,W	SNA	1
16-4-2	4	M047	DE61-40066A	FOOT; PP+TD30%,BLACK,0103-004165,TB53,N	SA	1
16-4-3	4	Z785	DE61-00304A	FOOT RUBBER; DE6612N,RUBBER,BLACK,T3,0.6/	SA	1
16-5	3	M527	DE59-00002A	DIODE-H.V; MWO,2CL4512H/CL04-12A,500mA,12	SA	1
17	2	M005	DE61-70060A	SPRING-PLATE; SK5,T0.5	SNA	1
18	1		DE90-01672G	ASSY ACCESSORY PARTS; MG30T5018UW/EC	SNA	1
18-1	2	Z056	DE98-01467E	ASSY CUSHION TRAY; MG30T5018UW/EC	SNA	1
18-1-1	3	T010	DE97-00136E	ASSY WIRE RACK; MG104WA,114,FOOT,VE-TYPE	SA	1
18-1-2	3	T161	DE97-00705B	ASSY GUIDE ROLLER; TRIO,-,-,19PI ROLLER	SA	1
18-1-3	3	X085	DE94-03303A	ASSY STEAMER; MG28J5255,GLASS	SA	1
18-2	2	T001	DE74-20015G	TRAY COOKING; 3RD-1.0,GLASS,T6,L318,1115g	SA	1
19	2	M049	DE31-10154D	MOTOR AC DRIVE; 8Pole,21V,50-60Hz,200mA,3	SA	1
20	2	M113	DE61-01531A	SUPPORT HEATER; 1.1 CELLO,ALUMINA,-,-,-,-	SA	1
21	2	M034	DE67-00229A	COUPLER; PPS+GF40%,E1040SEW,NATURAL,-,-,MWO	SA	1

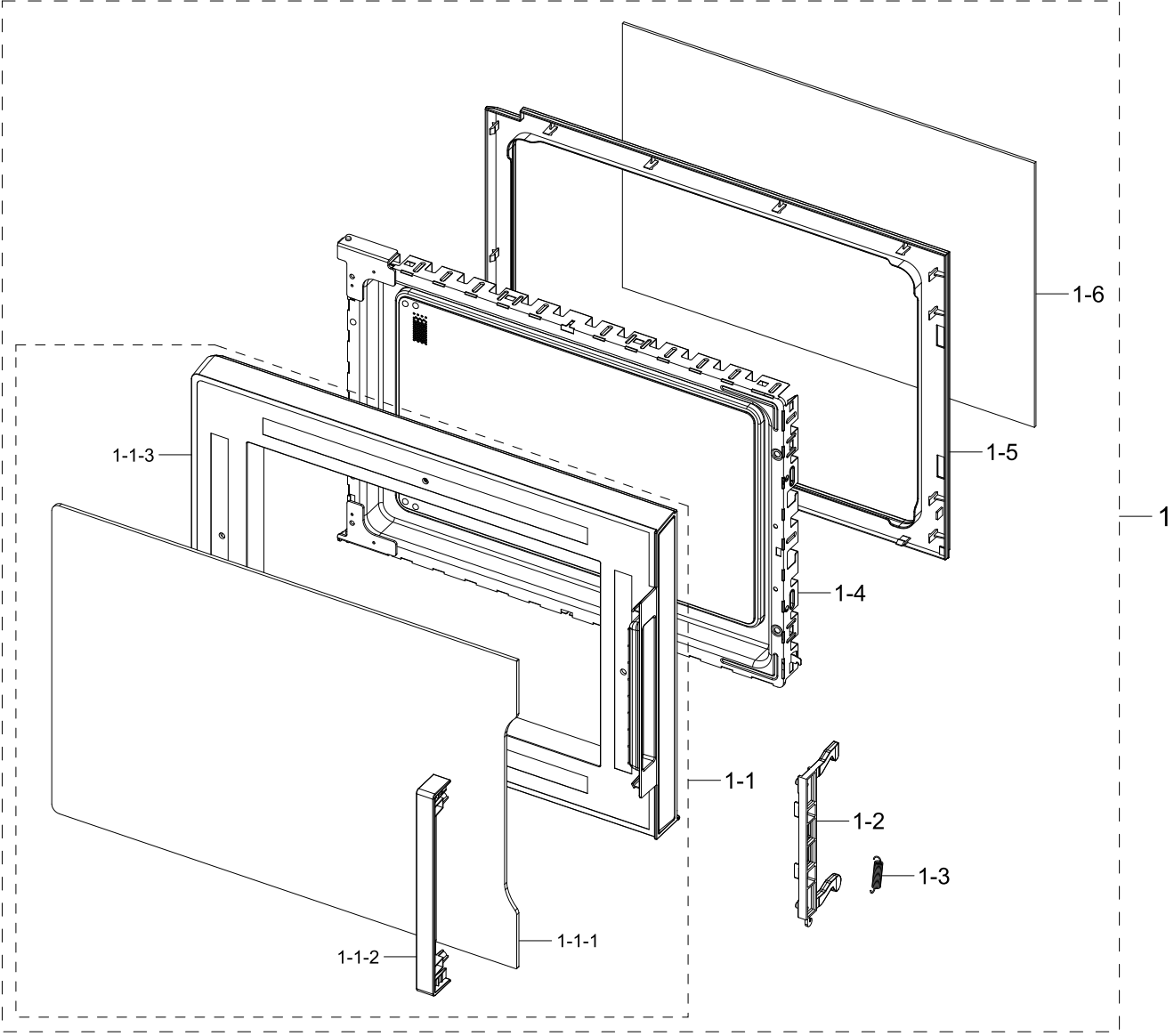
Exploded Views and Parts List

No.	Lvl.	Loc.	Material Code	Description & Specification	SNA	Qty.
22	2	M015	DE96-00385E	POWER CORD-AT; H05VV-F 3x1.0mm2,GRY,EU3S,	SA	1
23	2	M012	DE61-01529A	BRACKET HEATER; 1.1 CELLO,EGI-SECC,T0.8	SNA	1
24	2	M008	DE63-00049B	GASKET-HEATER; CELLO,BRASS,T1,NATURAL	SNA	1

2. Assy Door

Assy Door

Exploded View



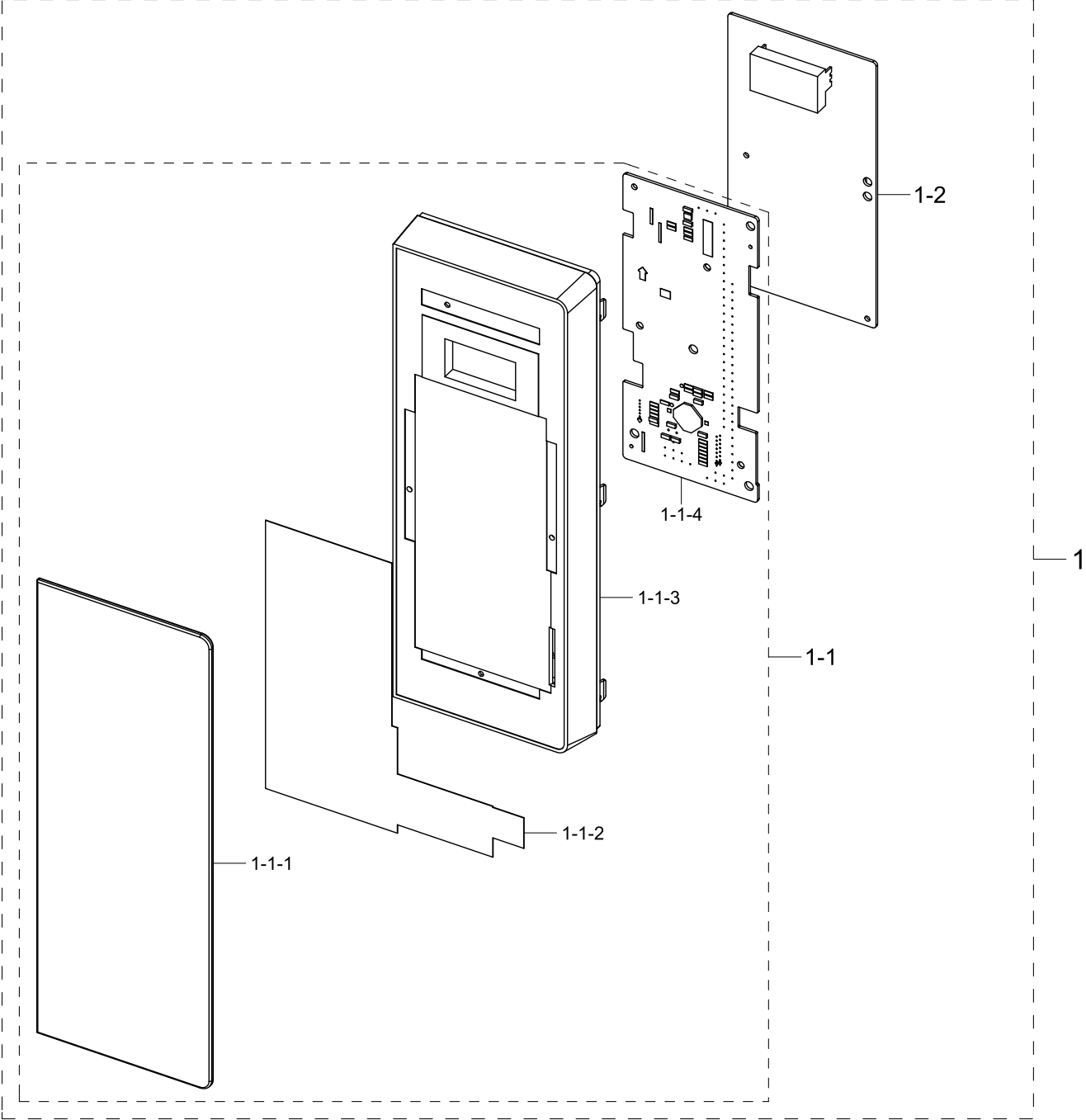
Parts List

No.	Lvl.	Loc.	Material Code	Description & Specification	SNA	Qty.
1	2	D049	DE94-04570B	ASSY DOOR-MODULE; MG30T5018*W,ABS,WHITE,3	SA	1
1-1	3	D037	DE94-04568B	ASSY DOOR A; MG30T5018*W,ABS,WHITE	SA	1
1-1-1	4	D003	DE64-03064B	SCREEN DOOR; MG30T5018*W,GLASS,T3.2,W406.	SNA	1
1-1-2	4	D147	DE63-00909A	COVER HANDLE; MG30T5018**,ABS,HB,GE BLACK	SA	1
1-1-3	4	D002	DE64-03060A	DOOR A; MG30T5018**,ABS,W410.4,L283.6,HB,	SNA	1
1-2	3	D011	DE64-00264A	KEY DOOR; 3RD-W NEW,POM,BLACK	SA	1
1-3	3	D007	DE61-00198A	SPRING KEY; M1877,HSWR-SWRH,PI0.7,D6,24 1	SNA	1
1-4	3	D004	DE94-00910P	ASSY DOOR E-COATING; JES1139BL,-,BLK,GE	SA	1
1-5	3	D006	DE64-02428A	DOOR C; 1.0 Chic,PP+TD40%,HB,MT44,NATURAL	SA	1
1-6	3	D005	DE01-00118C	FILM DOOR; CE297DN,PET,T0.15,W295,L182,NO	SNA	1

3. Assy Control Box

Assy Control Box

Exploded View



Parts List

No.	Lvl.	Loc.	Material Code	Description & Specification	SNA	Qty.
1	2	C082	DE94-04764A	ASSY CONTROL BOX-MODULE; MG30T5018UW/EC,B	SNA	1
1-1	3	C001	DE94-04763A	ASSY CONTROL PANEL; MG30T5018UW/EC,B-WHIT	SNA	1
1-1-1	4		DE64-03071A	GLASS PANEL; MG30T5018UW/EC,GLASS,T3.2,W1	SNA	1
1-1-2	4	M372	DE96-01125A	ASSY TOUCH; MW5000T_Touch Film,MW5000T_To	SNA	1
1-1-3	4		DE64-03062A	PANEL CONTROL; MG30T5018**,ABS,W110.2,L28	SNA	1
1-1-4	4		DE92-04332A	ASSY MODULE; ASSY KEY MODULE,MW5000T,Stan	SA	1
1-2	3		DE94-04780B	ASSY PCB EEPROM; 2,DE92-04250K,MW5000T_RC	SNA	1