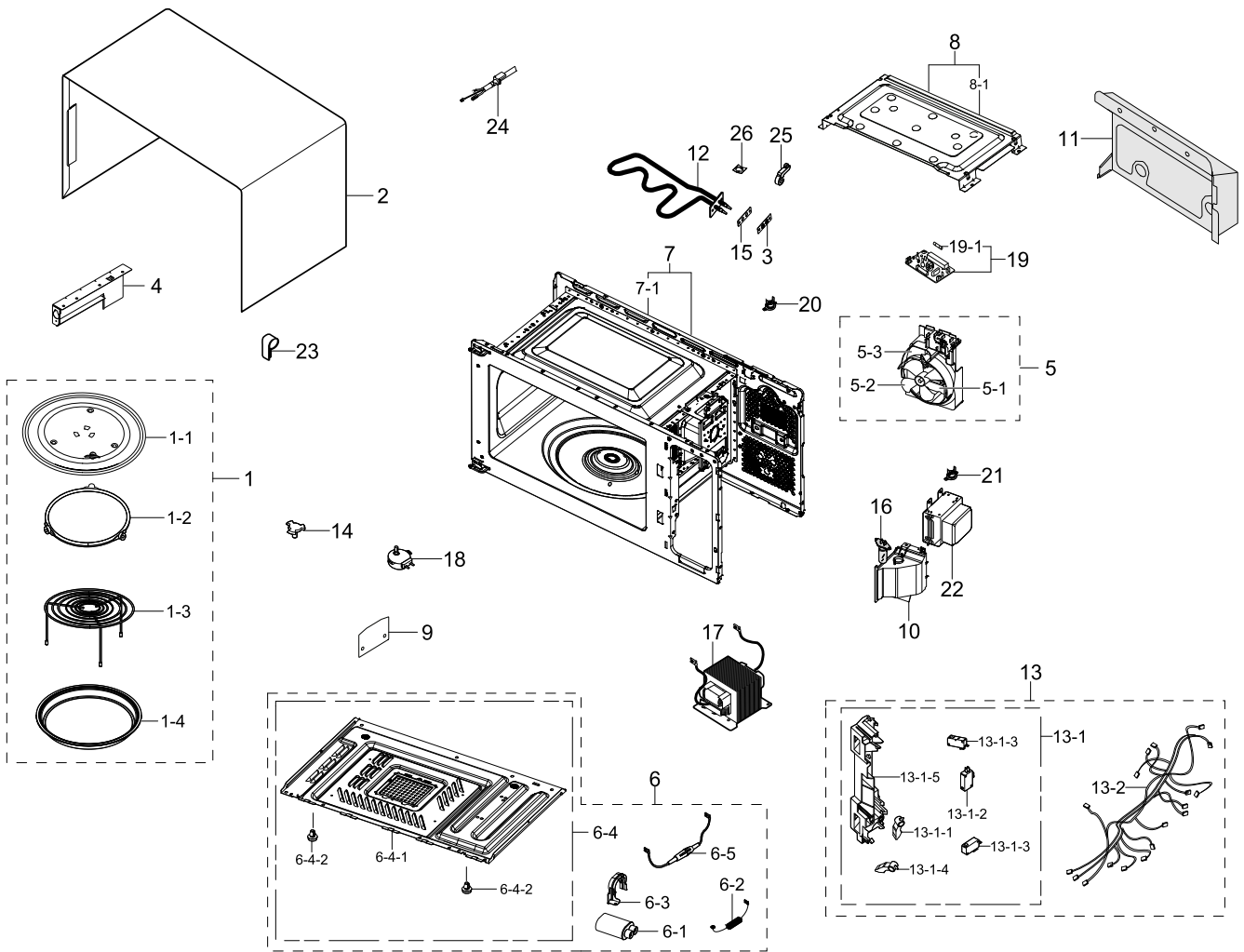


1. Main

Exploded View



Parts List

No.	Lvl.	Loc.	Material Code	Description & Specification	SNA	Qty.
1	1		DE90-01087C	ASSY ACCESSORY PARTS; MG28F304TCK/ET,MUSE	SNA	1
1-1	2	T001	DE74-20015G	TRAY COOKING; 3RD-1.0,GLASS,T6.0,PI316,-,	SA	1
1-2	2	T161	DE97-00705B	ASSY GUIDE ROLLER; TRIO,-,-,-,19PI ROLLER	SA	1
1-3	2	T010	DE97-00136E	ASSY WIRE RACK; MG104WA,114,FOOT,VE-TYPE	SA	1
1-4	2	T133	DE92-90534B	ASSY-TRAY BROILER; CE118KF,AL3004,1.0T	SA	1
2	2	M001	DE64-01161Z	PANEL OUTER; MC28H5015AS/EN,EGI-SECC,T0.6	SA	1
3	2	M008	DE63-00049B	GASKET-HEATER; BRASS,T1.0,NATURAL	SNA	1
4	2		DE94-02817D	ASSY BRACKET A/GUIDE; MC28H5013AW/BW,EGI-	SA	1

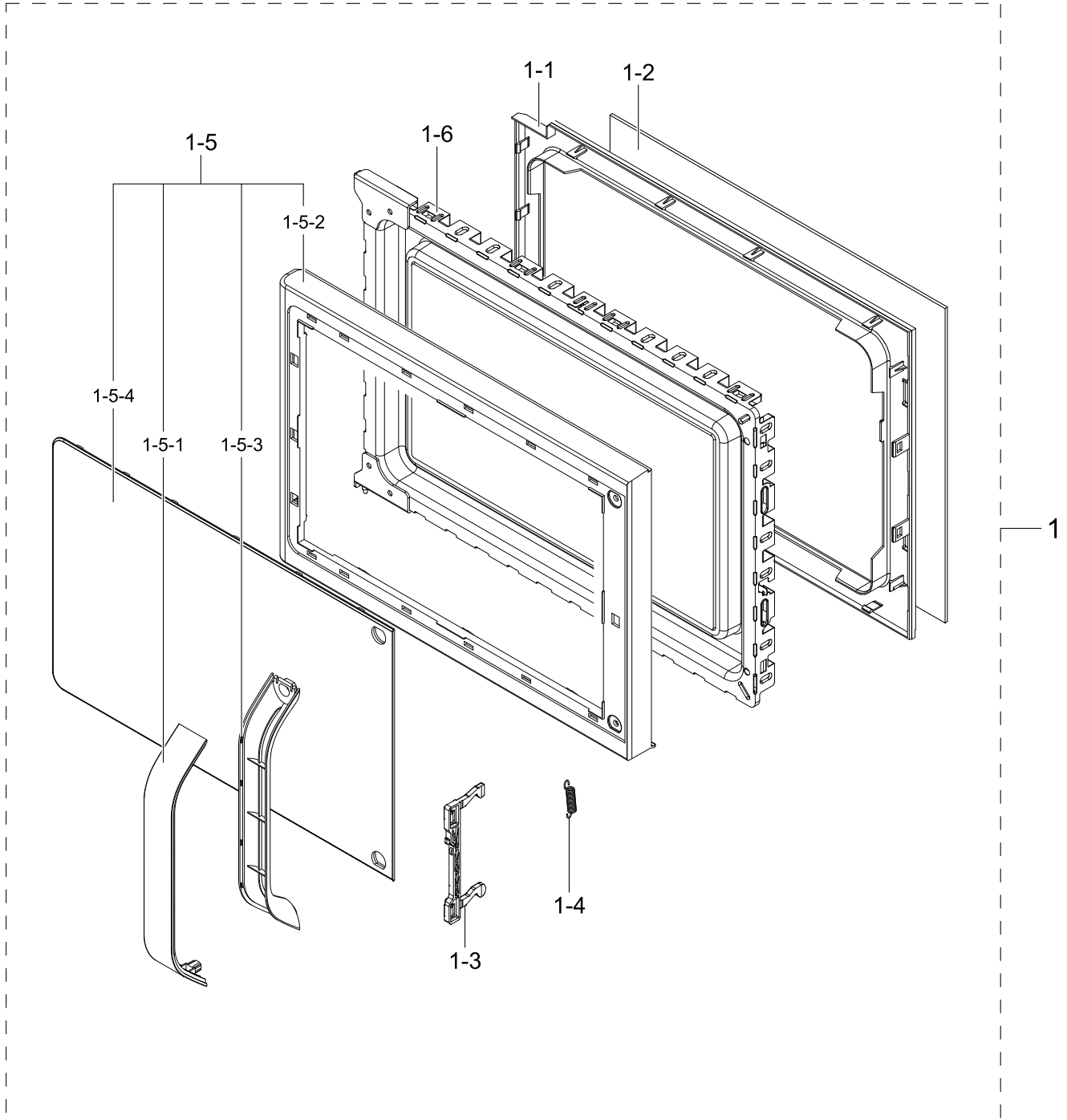
Exploded Views and Parts List

No.	Lvl.	Loc.	Material Code	Description & Specification	SNA	Qty.
5	2	M020	DE96-00070A	ASSY MOTOR FAN; -,SMF-2N2EA1,230V50Hz,242	SA	1
5-1	3	M023	DE31-10185A	MOTOR AC FAN; SMF-3RDEA1,2,230V,50Hz,20W,	SA	1
5-2	3	H099	DE31-90057A	BLADE-FAN; 3RD-W,PP,T1.5,T1.5	SA	1
5-3	3	P109	DE71-00061A	COVER MOTOR; 2 & 2 PROJECT,PP,TB53,2 & 2 PROJ	SA	1
6	2	M155	DE96-00590C	ASSY BASE PLATE; MG28H5125NK/EF,EU REGULA	SNA	1
6-1	3	M039	2501-001015	C-OIL HIGH VOLTAGE; 1000nF,2100V,BK,34x54	SA	1
6-2	3	M527	DE59-00002A	DIODE-H.V; MWO,2CL4512H/CL04-12A,500mA,12	SA	1
6-3	3	M040	DE61-50106A	BRACKET-HVC; EGI-SECC,T0.8,-	SA	1
6-4	3	M045	DE96-00589E	ASSY BASE PLATE SUB; MS28H5125BK/ST	SNA	1
6-4-1	4	M048	DE61-00898E	BASE PLATE; MG28H5125NK/EF,GI-SGCC,T0.5,W	SNA	1
6-4-2	4	M047	DE61-40066A	FOOT; PP,BLK	SA	1
6-5	3	M042	DE91-70061A	ASSY H.V.FUSE; THV060T,5KV,800mA,SCREW,WH	SA	1
7	1	Y103	DE94-03133B	ASSY CAVITY COATING; MG28H5125NK/EF,1.1CU	SNA	1
7-1	2		DE94-03134B	ASSY CAVITY WELDING; MG28H5125NK/EF,1.1CU	SNA	1
8	2	P214	DE94-03178A	ASSY BRACKET UPPER; MC28H5013AK/BW,EGI-SE	SNA	1
8-1	3	M003	DE61-01191A	BRACKET-UPPER; 1.0value convec,EGI-SECC,T	SA	1
9	2	M051	DE63-00237A	COVER-CEILING; CE297DN-5,MICA SHEET,T0.3,	SA	1
10	2	M037	DE63-00208B	COVER AIR; 5TH-1.0,PP,FH44N	SA	1
11	2	P186	DE71-60453A	COVER BACK; 3RD-1.0,EGI-SECC,T0.5,W146,L4	SNA	1
12	2	H071	DE47-00055B	HEATER SHEATH-GRILL; AC220V,BKT,1350W,SUS	SA	1
13	2		DE94-03444A	ASSY HOLDER; MG28J5215AW/EN,DE94-02993A+D	SNA	1
13-1	3	B022	DE94-02993A	ASSY BODY LATCH; CE283DNR/BWT,M1717N,NC20	SA	1
13-1-1	4	B010	DE66-00093A	LEVER SWITCH-A; NC2000,PP,HT44,GRAY,HANDL	SA	1
13-1-2	4	B046	3405-001032	SWITCH-MICRO; 125/250VAC,16A,200gf,SPDT,T	SA	1
13-1-3	4	B048	3405-001034	SWITCH-MICRO; 125/250VAC,16A,200gf,SPST-N	SA	2
13-1-4	4	B011	DE66-00094A	LEVER SWITCH-B; NC2000,PP,TB53,NTR,HANDLE	SA	1
13-1-5	4	B070	DE72-00137B	LATCH BODY; PG113R,PP,WHITE	SA	1

No.	Lvl.	Loc.	Material Code	Description & Specification	SNA	Qty.
13-2	3	W002	DE39-00372A	WIRE HARNESS-A; GE107,230V/50Hz,-,-,-,-,-	SA	1
14	2	M034	DE67-00229A	COUPLER; TRIO,PPS,BROWN,V0,XP-2140C, B420	SA	1
15	2	M012	DE61-01529A	BRACKET HEATER; 1.1 CELLO,EGI-SECC,T1.0,-	SNA	1
16	2	M036	4713-001524	LAMP-INCANDESCENT; 22x53,BK,20,230,CLEAR,	SA	1
17	2	M038	DE26-00152A	TRANS H.V; SHV-EPT10A,2385V/3.45V,50Hz,AL	SA	1
18	2	M049	DE31-10154D	MOTOR AC DRIVE; 8,21V,50/60Hz,3W,5/6rpm	SA	1
19	2	M017	DE96-00399A	ASSY NOISE FILTER; SN-UF11A,250V/15A,250V	SA	1
19-1	3	M019	3601-001197	FUSE-CARTRIDGE; 250V,15A,SLOW-BLOW,CERAMI	SA	1
20	2	M029	DE47-20194C	THERMOSTAT; 125/250V,15/7.5A,75,65,NORMAL	SA	1
21	2	M436	DE47-20009A	THERMOSTAT; 125/250V,15/7.5A,150,60,NORMA	SA	2
22	2	M035	OM75P(31)ESGN	ASSY-MGT; ASSY-MGT		1
23	2	M483	DE65-20014A	CABLE CLAMP; NY-66,DA-6N	SNA	1
24	2	M015	DE96-00385E	CBF-POWER CORD; AT,EUROPE,EU3S,,,,Gray,11	SA	1
25	2	M113	DE61-01531A	SUPPORT HEATER; 1.1 CELLO,ALUMINA,-,-	SA	1
26	2	M005	DE61-70060A	SPRING-PLATE; SK5,T0.5	SNA	1

1.1. Assy Door

Exploded View

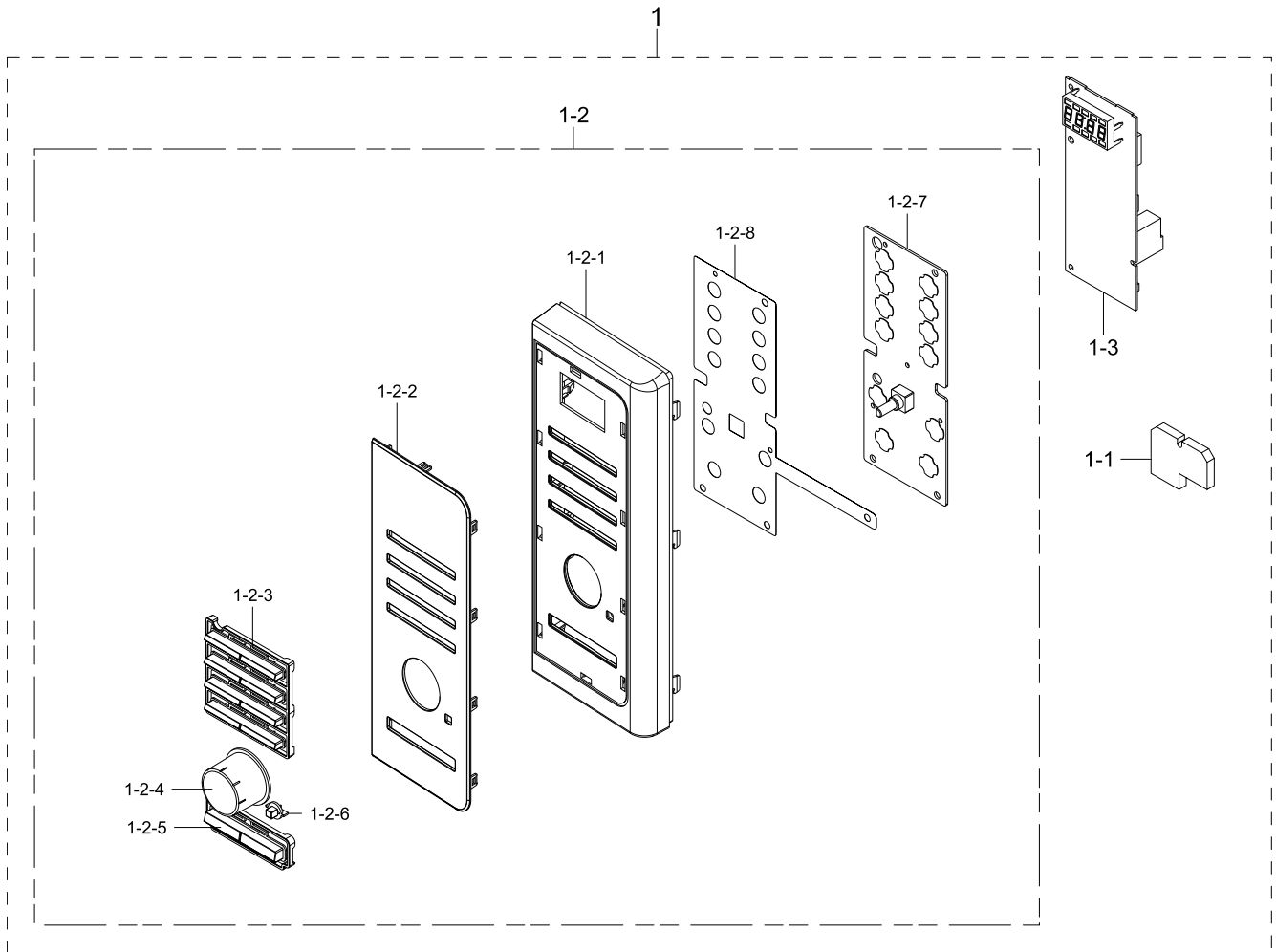


Parts List

No.	Lvl.	Loc.	Material Code	Description & Specification	SNA	Qty.
1	1	D049	DE94-03057F	ASSY DOOR; MG28F301TJS/EG,NEO SILVER,1.0	SA	1
1-1	2	D006	DE64-02428A	DOOR C; 1.0 Chic,PP,-,HB,MT44/TB53,Black,	SA	1
1-2	2	D005	DE01-00118C	FILM DOOR; CE297DN,PET,T0.15,W295,L182,NO	SNA	1
1-3	2	D011	DE64-00264A	KEY DOOR; 3RD-W NEW,POM,-,-,BLK,-,-	SA	1
1-4	2	D007	DE61-00198A	SPRING KEY; M1877,HSWR-SWRH,PI0.7,D6,24 1	SNA	1
1-5	2	D037	DE94-03058C	ASSY DOOR A; MS28F301TFS/EF,NEO SILVER,1.	SA	1
1-5-1	3	D147	DE63-00768A	COVER HANDLE; 1.0 MUSE3,ABS,T2.3,HB,GE BL	SA	1
1-5-2	3	D002	DE64-02733C	DOOR A; 1.0 MUSE3,ABS,T2.5,W409,L36.9,HB,	SNA	1
1-5-3	3	D019	DE64-02730A	HANDLE DOOR; 1.0 MUSE3,ABS,T2.3,W31.5,L24	SA	1
1-5-4	3	D003	DE64-02739A	SCREEN DOOR; 1.0 MUSE3,SAN,T2.0,W395.7,H2	SNA	1
1-6	2	D004	DE94-00910P	ASSY DOOR E-COATING; JES1139BL,-,BLK,GE	SA	1

1.2. Assy Control

Exploded View



Parts List

No.	Lvl.	Loc.	Material Code	Description & Specification	SNA	Qty.
1	1	C082	DE94-03059T	ASSY CONTROL BOX; MG28F304TJS/ET,230V 50H	SNA	1
1-1	2	C058	DE63-00302A	CUSHION-PCB; M187DN,PUR FOAM,T10,W102,L78	SNA	1
1-2	2	C001	DE94-03060K	ASSY CONTROL PANEL; MG28F304TJS/ET,NEO ST	SA	1
1-2-1	3	C005	DE64-02736B	CONTROL PANEL; 1.0 MUSE3 TACT,ABS,W105.3,	SNA	1
1-2-2	3		DE63-00770E	COVER PANEL; MG28F304TCK/ET,SAN,T2.5,HB,C	SNA	1
1-2-3	3		DE64-02732A	BUTTON SELECT-A; 0.8 MUSE3,ABS,GE BLACK,T	SA	1
1-2-4	3		DE64-02710A	KNOB DIAL; 1.1 CELLO,ABS,HB,GE BLACK,META	SA	1

No.	Lvl.	Loc.	Material Code	Description & Specification	SNA	Qty.
1-2-5	3		DE64-02691B	BUTTON SELECT-B; MC32F606T(1.1CELLO),ABS,	SA	1
1-2-6	3	C035	DE64-02709A	BUTTON-CLOCK; MC32F604T,ABS,HB,GE BLACK	SA	2
1-2-7	3	C084	DE96-01021A	ASSY KEY MODULE; MG23F302TAS,DKM-MS23T-00	SA	1
1-2-8	3	C107	DE01-00286A	FILM BOARD; MUSE3 TACT,AL,T0.12,W74,L182,	SNA	1
1-3	2	F316	DE92-03518X	ASSY PCB MAIN; MG28F303TAS/EC,RCS-SMS3L-3	SA	1