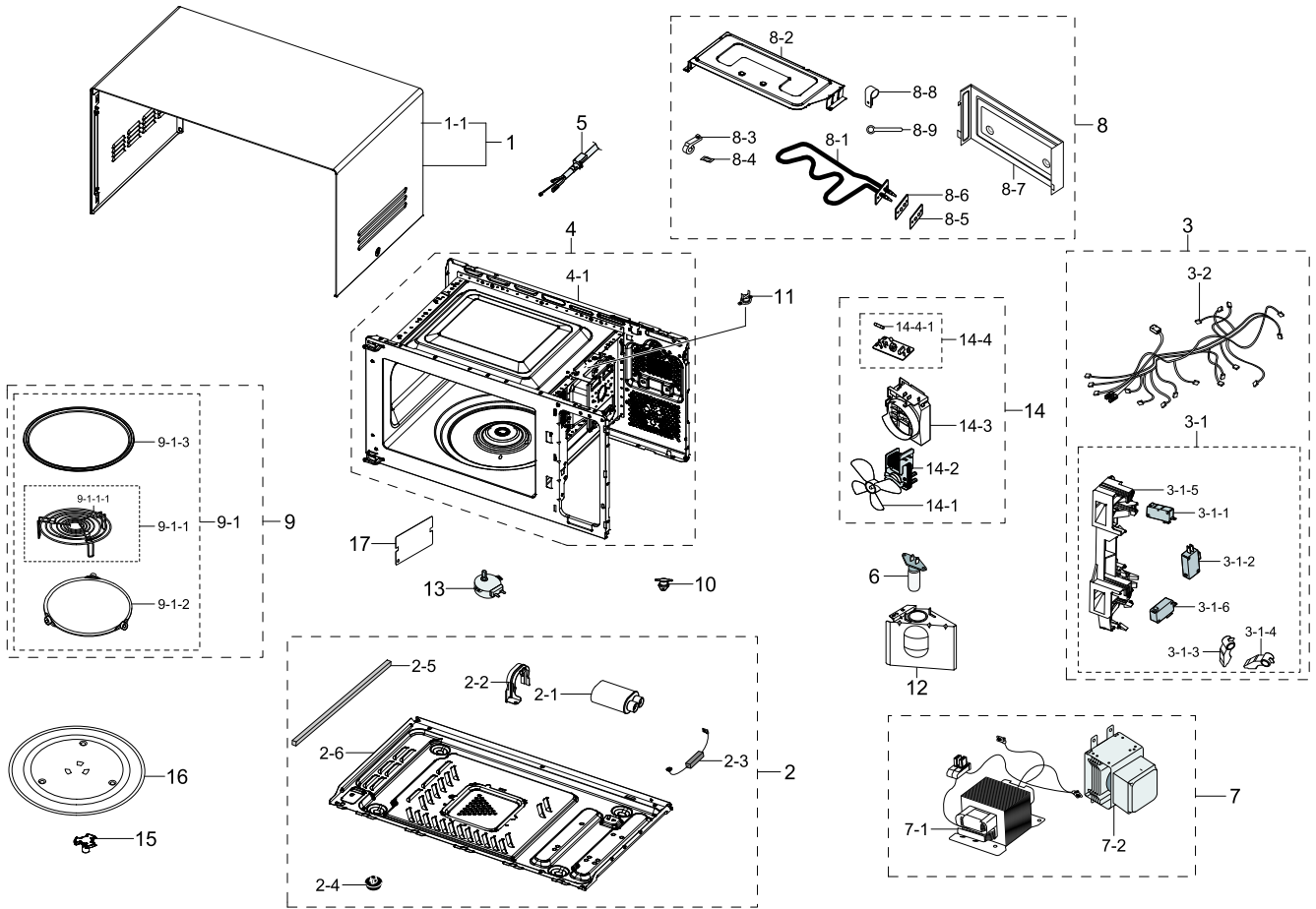


1. MG23T5018CW/EC

Exploded View



Parts List

No.	Lvl.	Loc.	Material Code	Description & Specification	SNA	Qty.
1	1	M001	DE64-02356D	PANEL OUTER; GS89-S,EGI-SECC,T0.4,488.8,B	SA	1
1-1	2		DE64-02356A	PANEL OUTER-PRESS; 0.7ECO PLATFORM,EGI-SE	SNA	1
2	1	M155	DE94-04198G	ASSY BASE PLATE; MG23F301EAS/EO,GI-SGCC,T	SNA	1
2-1	2	M039	2501-001011	C-OIL HIGH VOLTAGE; 910nF,2100V,BK,34x54x	SA	1
2-2	2	M040	DE61-01263A	BRACKET-HVC; 0.7ECO PLATFORM,EGI-SECC,T0.	SA	1
2-3	2	M527	DE59-00002A	DIODE-H.V; MWO,2CL4512H/CL04-12A,500mA,12	SA	1
2-4	2	M047	DE61-01585A	FOOT; 0.7/0.8 ECO SOLO/GRILL,RUBBER,BLACK	SA	1
2-5	2	P021	DE63-00008J	CUSHION SPONGE; PU FOAM,PUT-FOAM,T4,W8,L1	SNA	1
2-6	2	M048	DE61-01262E	BASE PLATE; 0.7/0.8 ECO PLATFORM,GI-SGCC,	SA	1

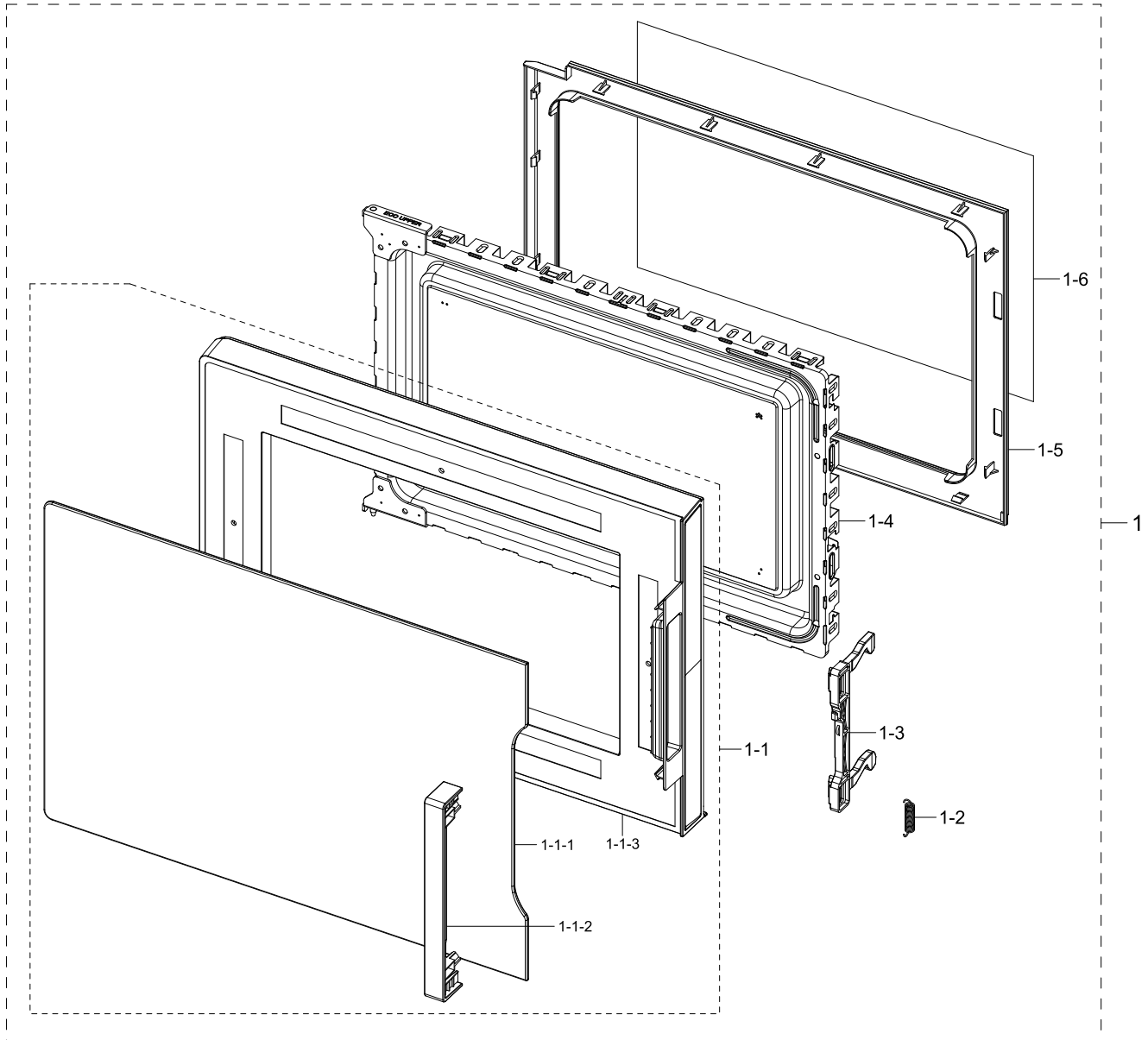
Exploded Views and Parts List

No.	Lvl.	Loc.	Material Code	Description & Specification	SNA	Qty.
3	1		DE94-03493V	ASSY HOLDER-WIRE; MW5000T 23L,HANDLE	SNA	1
3-1	2	B022	DE94-02317E	ASSY BODY LATCH; ECO HANDLE TYPE,1A DOOR	SA	1
3-1-1	3	B046	3405-001032	SWITCH-MICRO; 125/250VAC,16A,200gf,SPDT,T	SA	1
3-1-2	3	S0021	3405-001116	SWITCH-MICRO; 125/250VAC,1A,200gf,SPST-NO	SA	1
3-1-3	3	B010	DE66-00093A	LEVER SWITCH-A; NC2000,PP,HT44,GRAY,HANDL	SA	1
3-1-4	3	B011	DE66-00094A	LEVER SWITCH-B; NC2000,PP,TB53,NTR,HANDLE	SA	1
3-1-5	3	B077	DE66-00231A	LATCH BODY; 0.8 CHIC,PP,WHITE,PP MU30HP(V	SA	1
3-1-6	3	B048	3405-001034	SWITCH-MICRO; 125/250VAC,16A,200gf,SPST-N	SA	1
3-2	2		DE96-00865F	ASSY WIRE HARNESS-MAIN; MG23T5018CE,230VA	SA	1
4	1	P141	DE94-02322D	ASSY CAVITY-COATING; 0.8 CU.FT,GE83XR,0.8	SNA	1
4-1	2	Z778	DE94-02324D	ASSY CAVITY-WELDING; 0.8 ECO FIXED GRILL,	SNA	1
5	1	M015	DE96-00385E	POWER CORD-AT; H05VV-F 3x1.0mm2,GRY,EU3S,	SA	1
6	2	M036	4713-001524	LAMP-INCANDESCENT; 22x53,BK,20,230,CLEAR,	SA	1
7	1		DE90-02027A	ASSY POWER PACK; FG87SST/XEG,230V 50HZ,TR	SNA	1
7-1	2	M038	DE26-00144A	TRANS H.V; SHV-EURO4-1,230V,2370V/3.50V,A	SA	1
7-2	2	M035	OM75P(31)ESGN	ASSY-MGT; ASSY-MGT		1
8	1		DE90-01069H	ASSY GRILL PARTS; MG23K3515AS,0.8 ECO FIX	SNA	1
8-1	2	H061	DE47-00016A	HEATER SHEATH-GRILL; AC230V,BKT,1100W(108	SA	1
8-2	2	M003	DE61-01318A	BRACKET-UPPER(GRILL); 0.8 Chic,EGI-SECC,T	SA	1
8-3	2	M535	DE61-30008A	SUPPORT HEATER; GE87H/BAL,ALUMINA,T11.5,W	SA	1
8-4	2	M005	DE61-70060A	SPRING-PLATE; SK5,T0.5	SNA	1
8-5	2	M012	DE61-01529A	BRACKET HEATER; 1.1 CELLO,EGI-SECC,T0.8	SNA	1
8-6	2	M008	DE63-00049B	GASKET-HEATER; CELLO,BRASS,T1,NATURAL	SNA	1
8-7	2	P186	DE63-00678A	COVER BACK; 0.8 chic,EGI-SECC,T0.4,GRILL	SNA	1
8-8	2	M483	DE65-20014A	CABLE CLAMP; NY-66,DA-6N	SNA	1
8-9	2	M058	6052-000075	CABLE CLAMP; PI 5.0, L75mm,T0.3,Si,WHITE	SNA	1
9	1		DE94-02439G	ASSY ACCESSORY PARTS; MG23F301ECS/EF,MUSE	SNA	1

No.	Lvl.	Loc.	Material Code	Description & Specification	SNA	Qty.
9-1	2	Z056	DE98-01411B	ASSY CUSHION TRAY; MG23F301ECS/EF,MUSE3,	SNA	1
9-1-1	3	T010	DE97-00106G	ASSY WIRE RACK; GE89MPSR/BWT,ALL 0.8 ENAM	SA	1
9-1-1-1	4	T030	DE74-70071D	RACK WIRE; 0.7/NC2000,MSWR-SWRM,PI3,D230,	SA	1
9-1-2	3	F535	DE97-00193D	ASSY GUIDE ROLLER; RE-C21AW,PPS,PTEF,15.5	SA	1
9-1-3	3	T131	DE74-20114B	TRAY-BROILER; 0.8 CU.FT. MODEL,Al,T0.8,L3	SNA	1
10	2	M436	DE47-20009A	THERMOSTAT; AC125/250V,15/10A,150C,60C,No	SA	1
11	2	M451	DE47-20032B	THERMOSTAT; AC125/250V,15/10A,85C,75C,Nor	SA	1
12	2	M037	DE63-00651A	COVER AIR; 0.7ECO PLATFORM,GI-SGCC,T0.4	SA	1
13	2	M049	DE31-10154D	MOTOR AC DRIVE; 8Pole,21V,50/60Hz,200mA,3	SA	1
14	2	M020	DE96-01109C	ASSY MOTOR FAN; MG23J5133AT/EG,230V,50Hz,	SNA	1
14-1	3	H099	DE31-90057A	BLADE-FAN; 3RD-W,PP,T1.5,T1.5	SA	1
14-2	3	M023	DE31-10185A	MOTOR AC FAN; SMF-3RDEA1,2,230V,50Hz,20W,	SA	1
14-3	3		DE63-00788A	COVER BLOWER; ECO, NC2K,PP,T1.2,HB,NATURA	SA	1
14-4	3	M017	DE96-00399A	ASSY NOISE FILTER; SN-UF11A,250V/15A,250V	SA	1
14-4-1	4	M019	3601-001197	FUSE-CARTRIDGE; 250V,15A,SLOW-BLOW,CERAMI	SA	1
15	2	M034	DE67-00272A	COUPLER; CE73JD,PPS,BROWN,XP2140C,GIANT,0	SA	1
16	2	T001	DE74-20102D	TRAY COOKING; G643C-1(3RD-0.6),GLASS,T6,-	SA	1
17	2	M051	DE71-00159A	COVER-CEILING; CN2835,MICA SHEET,T0.3,NC0	SA	1

2. Assy Door

Exploded View



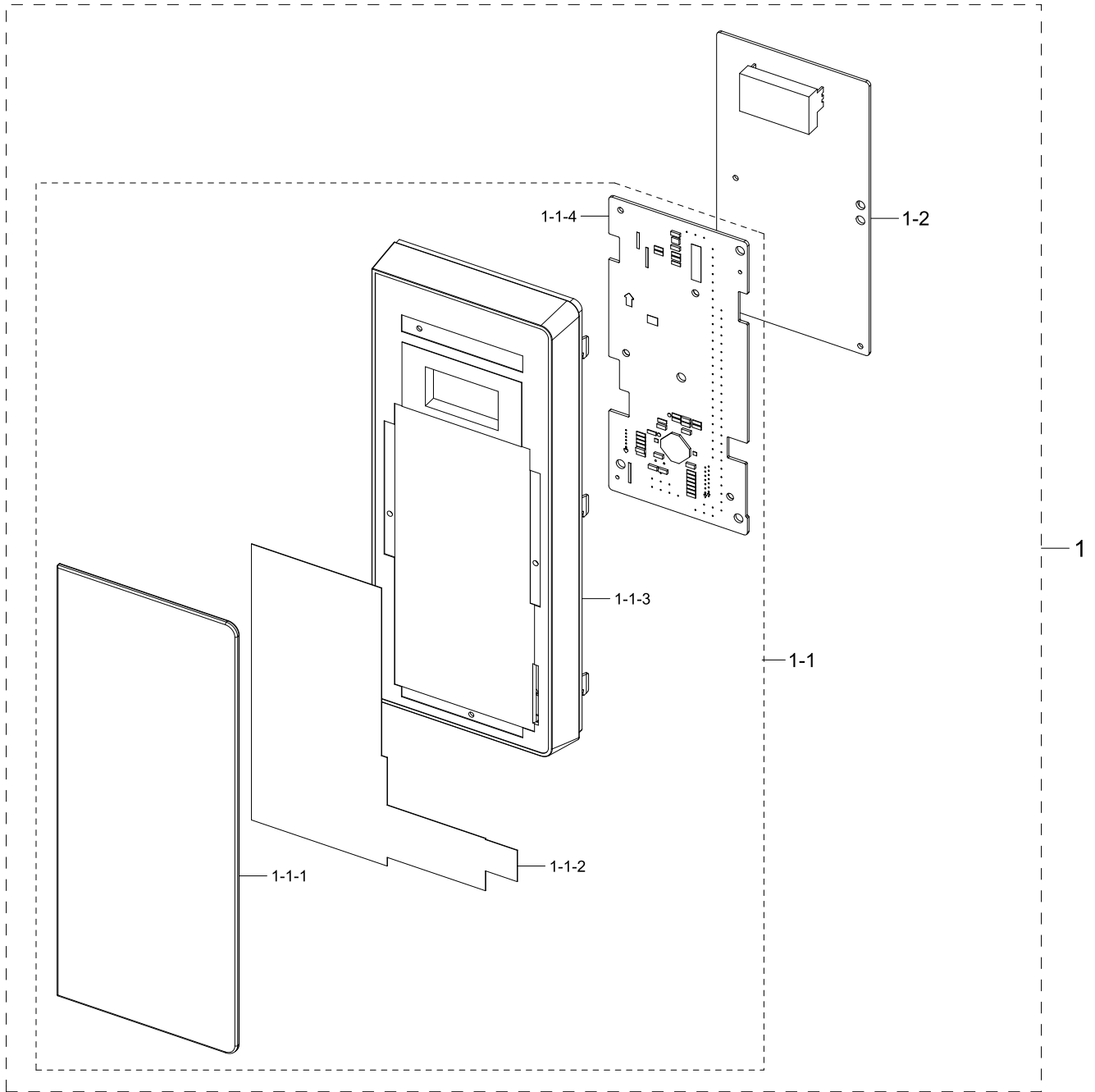
Parts List

No.	Lvl.	Loc.	Material Code	Description & Specification	SNA	Qty.
1	1	D049	DE94-04569B	ASSY DOOR; MG23T5018*W,ABS,WHITE,23L	SA	1
1-1	2	D037	DE94-04567B	ASSY DOOR A; MG23T5018*W,ABS,WHITE	SA	1
1-1-1	3	D003	DE64-03063B	SCREEN DOOR; MG23T5018*W,GLASS,T3.2,W378,	SNA	1
1-1-2	3	D147	DE63-00908A	COVER HANDLE; MG23T5018**,PC,HB,GE BLACK,	SA	1
1-1-3	3	D002	DE64-03059A	DOOR A; MG23T5018**,ABS,W380.4,L262.2,HB,	SNA	1

No.	Lvl.	Loc.	Material Code	Description & Specification	SNA	Qty.
1-2	2	D007	DE61-00193A	SPRING-KEY; MW1255,HSWR-SWRH,PI0.6,D5.5,L	SNA	1
1-3	2	D011	DE64-02430A	DOOR-KEY; 0.8 Chic,POM,BLACK,Chic project	SA	1
1-4	2	D004	DE94-02262B	ASSY DOOR E-COATING; MW73BR,SCP T0.4,BLAC	SA	1
1-5	2	D006	DE64-02354A	DOOR C; 0.7ECO PLATFORM,PP,HB,T332,BLACK,	SNA	1
1-6	2	D005	DE64-00221E	FILM DOOR; -,CE2877N,PET,T0.15,W143,L264,	SNA	1

3. Assy Control Box

Exploded View



Parts List

No.	Lvl.	Loc.	Material Code	Description & Specification	SNA	Qty.
1	1	C082	DE94-04571G	ASSY CONTROL BOX; MG23T5018CW/EC,B-WHITE,	SNA	1
1-1	2	C001	DE94-04573G	ASSY CONTROL PANEL; MG23T5018CW/EC,B-WHIT	SA	1
1-1-1	3		DE64-03065G	GLASS PANEL; MG23T5018CW/EC,GLASS,T3.2,W1	SNA	1
1-1-2	3	M372	DE96-01125A	ASSY TOUCH; MW5000T_Touch Film,MW5000T_To	SNA	1
1-1-3	3		DE64-03061A	PANEL CONTROL; MG23T5018**,ABS,W110.2,L28	SNA	1
1-1-4	3		DE92-04332A	ASSY MODULE; ASSY KEY MODULE,MW5000T,Stan	SA	1
1-2	2		DE94-04781D	ASSY PCB EEPROM; 1,DE92-04250M,MW5000T,MG	SA	1