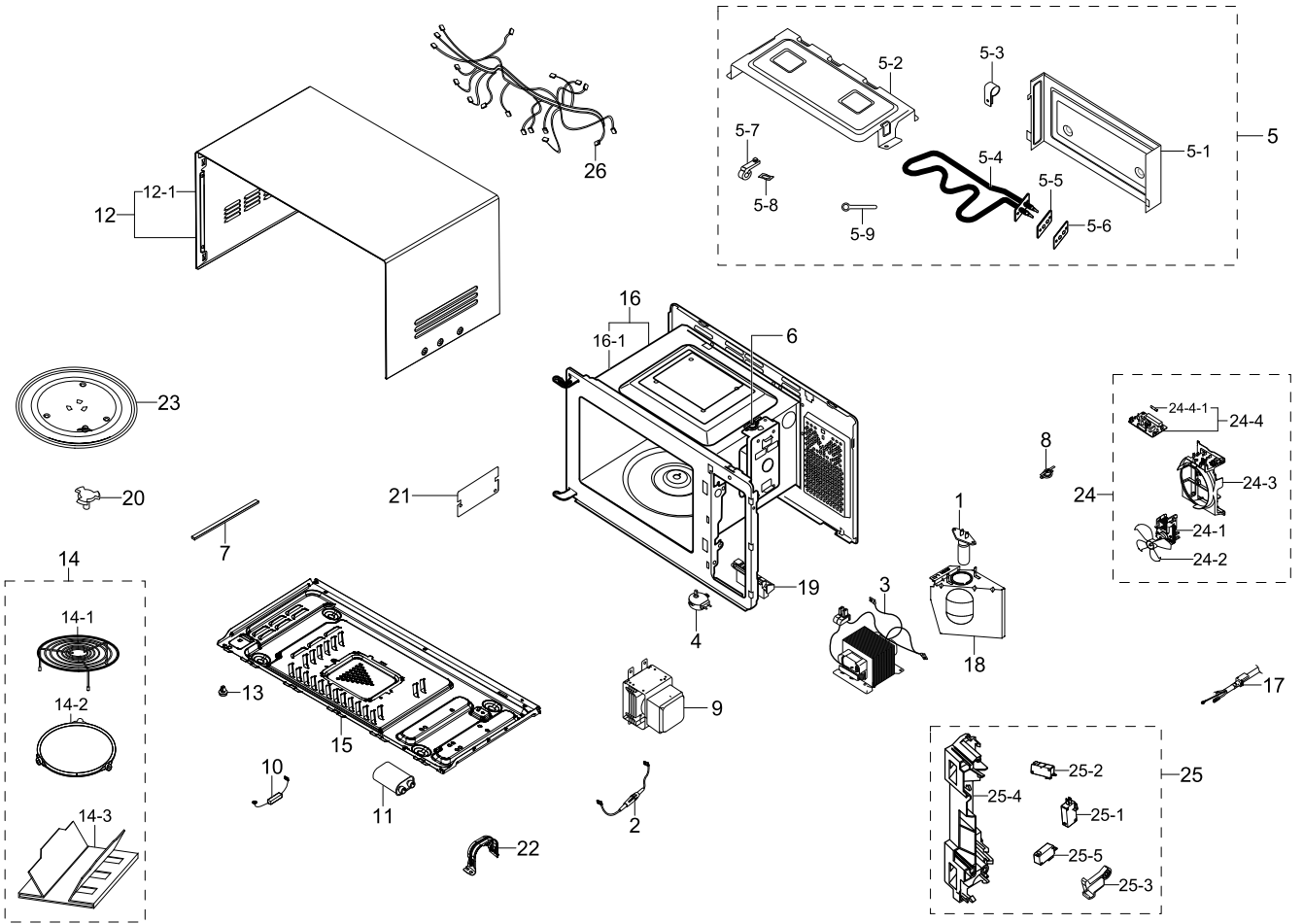


1. MG23J5133AM/EC

Exploded View



Parts List

No.	Lvl.	Loc.	Material Code	Description & Specification	SNA	Qty.
1	2	M036	4713-001524	LAMP-INCANDESCENT; 22x53,BK,20,230,CLEAR,	SA	1
2	2	M042	DE91-70061C	ASSY H.V.FUSE; THV060T,5KV,700mA,SCREW,BL	SA	1
3	2	M038	DE26-00144A	TRANS H.V; SHV-EURO4-1,230V,2370V/3.50V,A	SA	1
4	2	M049	DE31-10154D	MOTOR AC DRIVE; 8Pole,21V,50/60Hz,200mA,3	SA	1
5	1		DE90-01069H	ASSY GRILL PARTS; MG23K3515AS,0.8 ECO FIX	SNA	1
5-1	2	P186	DE63-00678A	COVER BACK; 0.8 chic,EGI-SECC,T0.4,GRILL	SNA	1
5-2	2	M003	DE61-01318A	BRACKET-UPPER(GRILL); 0.8 Chic,EGI-SECC,T	SA	1
5-3	2	M483	DE65-20014A	CABLE CLAMP; NY-66,DA-6N	SNA	1
5-4	2	H061	DE47-00016A	HEATER SHEATH-GRILL; AC230V,BKT,1100W(108	SA	1

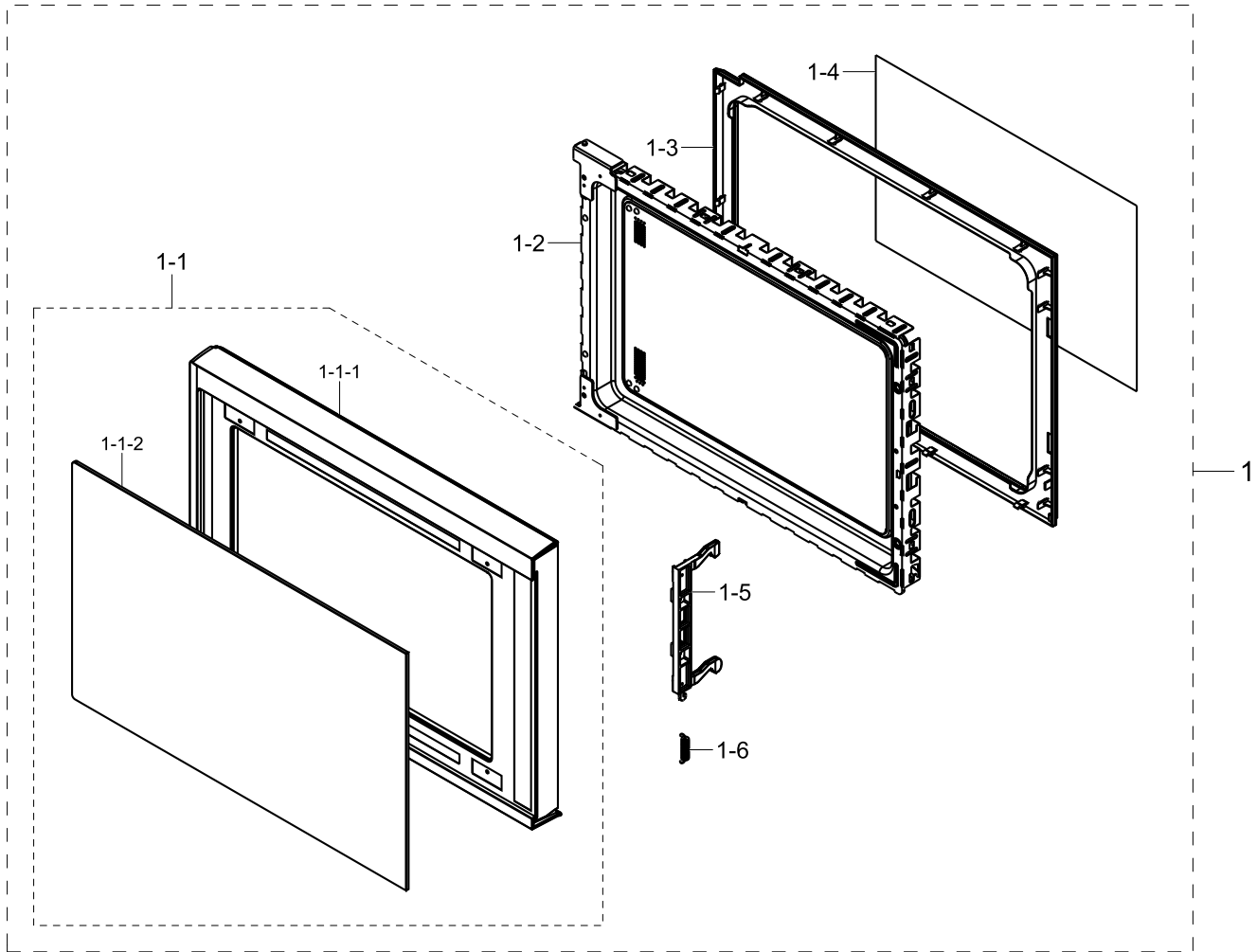
Exploded Views and Parts List

No.	Lvl.	Loc.	Material Code	Description & Specification	SNA	Qty.
5-5	2	M008	DE63-00049B	GASKET-HEATER; CELLO,BRASS,T1,NATURAL	SNA	1
5-6	2	M012	DE61-01529A	BRACKET HEATER; 1.1 CELLO,EGI-SECC,T0.8	SNA	1
5-7	2	M535	DE61-30008A	SUPPORT HEATER; GE87H/BAL,ALUMINA,T11.5,W	SA	1
5-8	2	M005	DE61-70060A	SPRING-PLATE; SK5,T0.5	SNA	1
5-9	2	M058	6052-000075	CABLE CLAMP; PI 5.0, L75mm,T0.3,Si,WHITE	SNA	1
6	2	M451	DE47-20032B	THERMOSTAT; AC125/250V,15/10A,85C,75C,Nor	SA	1
7	2	P021	DE63-00008J	CUSHION SPONGE; PU FOAM,PUT-FOAM,T4,W8,L1	SNA	1
8	2	M436	DE47-20009A	THERMOSTAT; AC125/250V,15/10A,150C,60C,No	SA	1
9	2	M035	OM75P(31)ESGN	ASSY-MGT; ASSY-MGT		1
10	2	M527	DE59-00002A	DIODE-H.V; MWO,2CL4512H/CL04-12A,500mA,12	SA	1
11	2	M039	2501-001011	C-OIL HIGH VOLTAGE; 910nF,2100V,BK,34x54x	SA	1
12	1	M001	DE64-02356D	PANEL OUTER; GS89-S,EGI-SECC,T0.4,488.8,0	SA	1
12-1	2		DE64-02356A	PANEL OUTER-PRESS; 0.7ECO PLATFORM,EGI-SE	SNA	1
13	2	M047	DE61-01585A	FOOT; 0.7/0.8 ECO SOLO/GRILL,RUBBER,BLACK	SA	1
14	1		DE94-02439E	ASSY ACCESSORY PARTS; MUSE3 0.8 GRILL	SNA	1
14-1	2	T030	DE74-70071D	RACK WIRE; 0.7/NC2000,MSWR-SWRM,PI3,D230,	SA	1
14-2	2	F535	DE97-00193D	ASSY GUIDE ROLLER; RE-C21AW,PPS,PTEF,15.5	SA	1
14-3	2		DE69-00191A	PAD-RACK; CE2877N,CB	SNA	1
15	2	M048	DE61-01262E	BASE PLATE; 0.7/0.8 ECO PLATFORM,GI-SGCC,	SA	1
16	1	P141	DE94-02322D	ASSY CAVITY-COATING; 0.8 CU.FT,GE83XR,0.8	SNA	1
16-1	2	Z778	DE94-02324D	ASSY CAVITY-WELDING; 0.8 ECO FIXED GRILL,	SNA	1
17	1	M015	DE96-00385E	POWER CORD-AT; H05VV-F 3x1.0mm2,GRY,EU3S,	SA	1
18	2	M037	DE63-00651A	COVER AIR; 0.7ECO PLATFORM,GI-SGCC,T0.4	SA	1
19	2	M099	DE66-00226A	LEVER DOOR; 0.7ECO PLATFORM,PP,WHITE	SA	1
20	2	M034	DE67-00272A	COUPLER; CE73JD,PPS,BROWN,XP2140C,GIANT,0	SA	1
21	2	M051	DE71-00159A	COVER-CEILING; CN2835,MICA SHEET,T0.3,NC0	SA	1
22	2	M040	DE61-01263A	BRACKET-HVC; 0.7ECO PLATFORM,EGI-SECC,T0.	SA	1

No.	Lvl.	Loc.	Material Code	Description & Specification	SNA	Qty.
23	2	T001	DE74-20102D	TRAY COOKING; G643C-1(3RD-0.6),GLASS,T6,-	SA	1
24	2	M020	DE96-01109C	ASSY MOTOR FAN; MG23J5133AT/EG,230V,50Hz,	SNA	1
24-1	3	M023	DE31-10185A	MOTOR AC FAN; SMF-3RDEA1,2,230V,50Hz,20W,	SA	1
24-2	3	H099	DE31-90057A	BLADE-FAN; 3RD-W,PP,T1.5,T1.5	SA	1
24-3	3		DE63-00788A	COVER BLOWER; ECO, NC2K,PP,T1.2,HB,NATURA	SA	1
24-4	3	M017	DE96-00399A	ASSY NOISE FILTER; SN-UF11A,250V/15A,250V	SA	1
24-4-1	4	M019	3601-001197	FUSE-CARTRIDGE; 250V,15A,SLOW-BLOW,CERAMI	SA	1
25	2	B022	DE94-02265E	ASSY BODY LATCH; ECO PUSH BUTTON,1A DOOR	SA	1
25-1	3	B046	3405-001032	SWITCH-MICRO; 125/250VAC,16A,200gf,SPDT,T	SA	1
25-2	3	S0021	3405-001116	SWITCH-MICRO; 125/250VAC,1A,200gf,SPST-NO	SA	1
25-3	3	L0001	DE66-00234A	LEVER SWITCH; MW73B,POM,NC0001,F20-03,WHI	SNA	1
25-4	3	B076	DE66-00225A	LATCH BODY; 0.7/0.8 ECO PLATFORM,PP,WHITE	SNA	1
25-5	3	B048	3405-001034	SWITCH-MICRO; 125/250VAC,16A,200gf,SPST-N	SA	1
26	2		DE96-00865D	ASSY WIRE HARNESS-MAIN; MG23K3515AS/EC,0.	SA	1

2. Assy Door

Exploded View



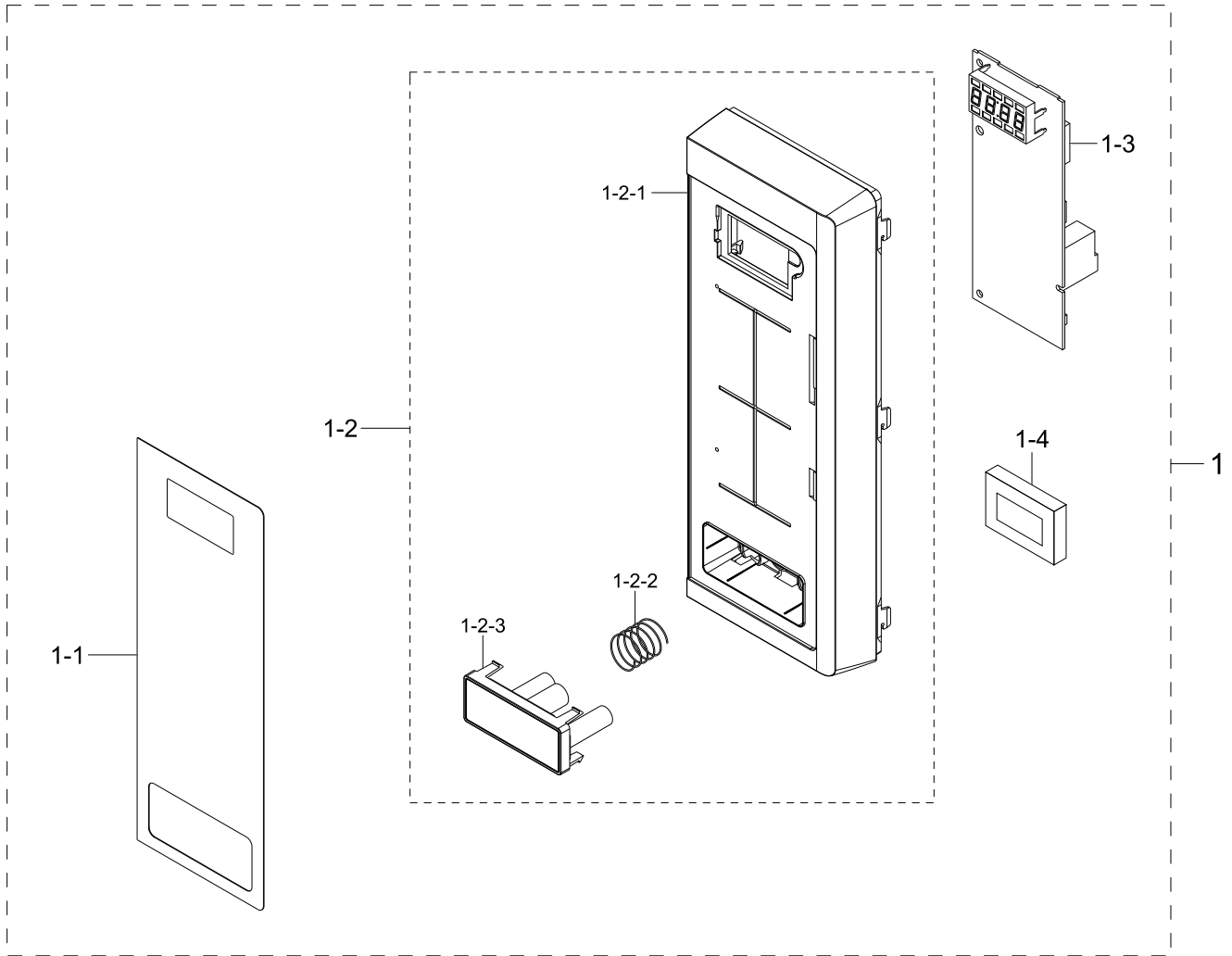
Parts List

No.	Lvl.	Loc.	Material Code	Description & Specification	SNA	Qty.
1	1	D049	DE94-03335D	ASSY DOOR; MG23J5133AM/EO,BLACK,POLAND	SA	1
1-1	2	D037	DE94-03339B	ASSY DOOR A; MS23J5133AM,BLACK,SAMSUNG Lo	SNA	1
1-1-1	3	D002	DE64-02879A	DOOR A; MG23J5133AM/AP(MIRROR),ABS,T2.5,W	SNA	1
1-1-2	3	D003	DE64-02894C	SCREEN DOOR-B; MS23J5133AM,GLASS,T3.2,NAT	SNA	1
1-2	2	D004	DE94-02262B	ASSY DOOR E-COATING; MW73BR,SCP T0.4,BLAC	SA	1
1-3	2	D006	DE64-02354A	DOOR C; 0.7ECO PLATFORM,PP,-,HB,T332,BLAC	SNA	1
1-4	2	D005	DE64-00221E	FILM DOOR; -,CE2877N,PET,T0.15,W143,L264,	SNA	1

No.	Lvl.	Loc.	Material Code	Description & Specification	SNA	Qty.
1-5	2	D011	DE64-02355A	KEY DOOR; 0.7ECO PLATFORM,POM,BLACK	SA	1
1-6	2	D007	DE61-00198A	SPRING KEY; M1877,HSWR-SWRH,PI0.7,D6,24 1	SNA	1

3. Assy Control Box

Exploded View



Parts List

No.	Lvl.	Loc.	Material Code	Description & Specification	SNA	Qty.
1	1	C082	DE94-03337F	ASSY CONTROL BOX; MG23J5133AM/EO,230V/50H	SNA	1
1-1	2	C004	DE34-00445R	SWITCH MEMBRANE; MG23J5133AM/EO,PC,230V/5	SA	1
1-2	2	C001	DE94-03342A	ASSY CONTROL PANEL; MG23J5133AM/AP,BLACK,	SA	1
1-2-1	3	C005	DE64-02870A	CONTROL PANEL; MG23J5133AM/AP,ABS,W261,L1	SNA	1
1-2-2	3	C006	DE61-70026A	SPRING-BUTTON; SWP,PI0.7,D17,L25.8	SNA	1
1-2-3	3		DE94-03344A	ASSY BUTTON PUSH; MG23J5133AM/AP,ABS,MIRR	SNA	1

No.	Lvl.	Loc.	Material Code	Description & Specification	SNA	Qty.
1-3	2	F316	DE92-04316C	ASSY PCB MAIN; RCS-SMS3L-420,MW5100J-PJT_	SA	1
1-4	2	P021	DE63-00408A	CUSHION SPONGE; PU FOAM,BLACK,PCB SPONGE,	SA	1