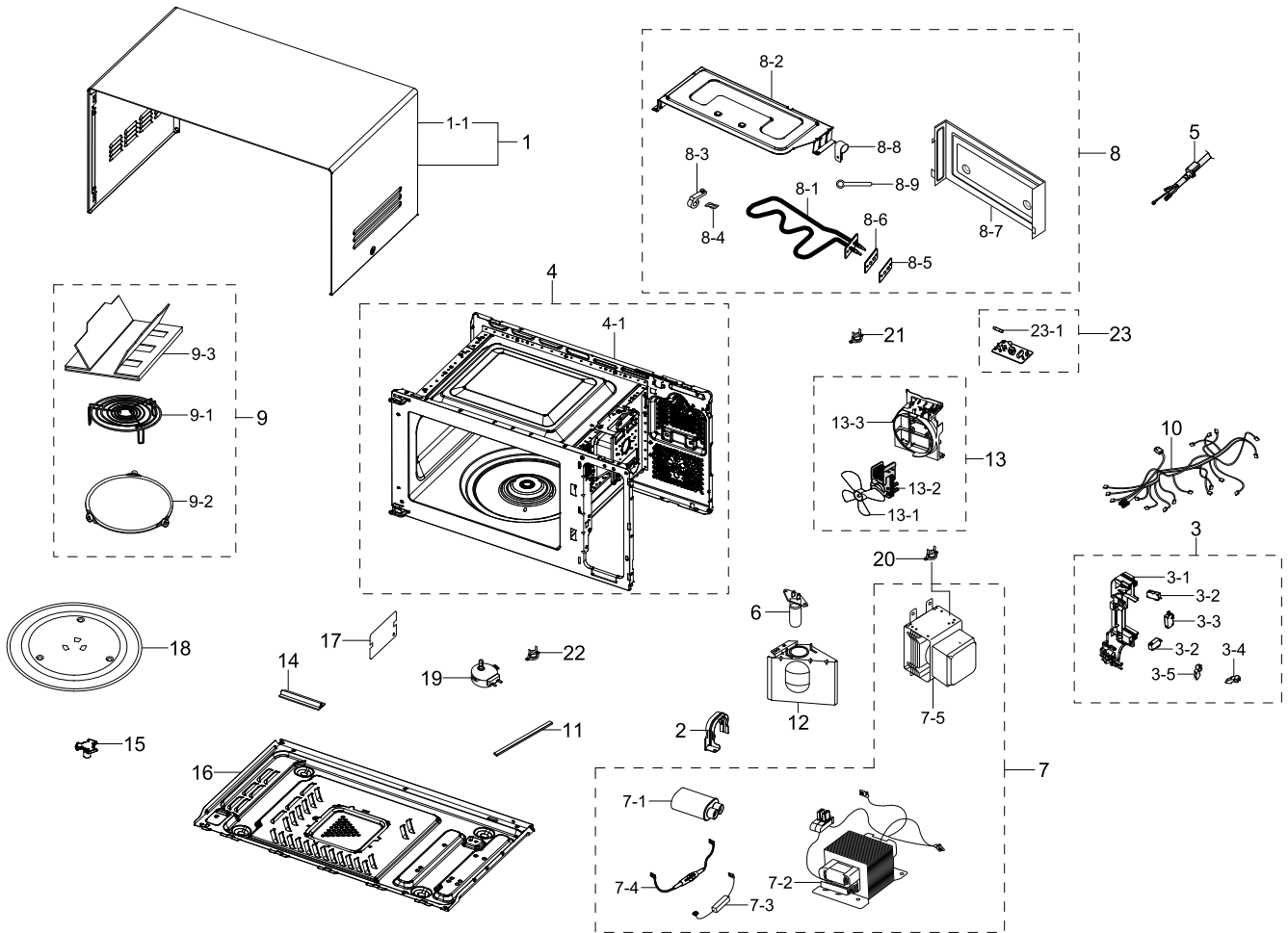


1. MG23F301TAS/EO

_Exploded View

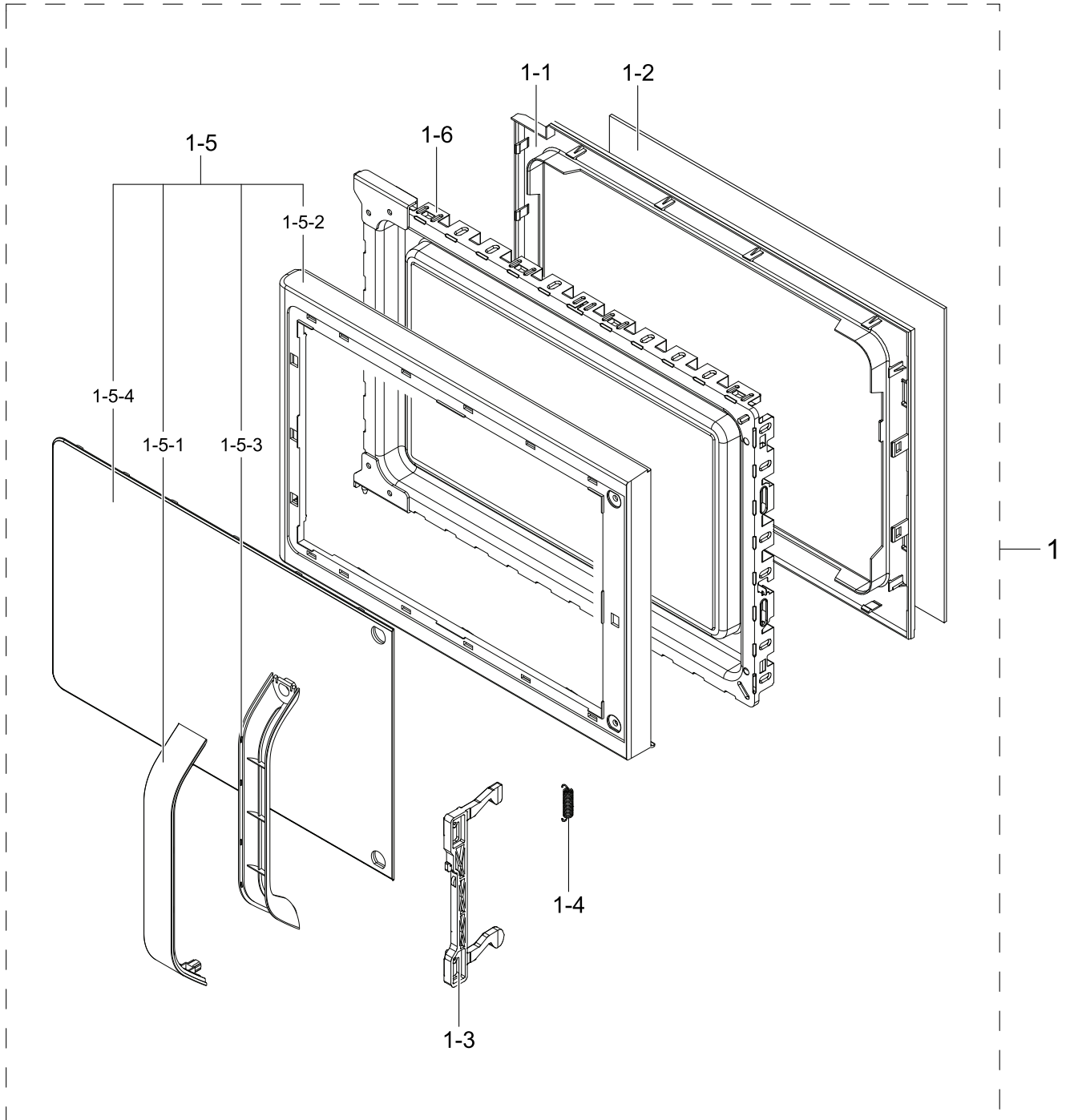


Parts List

| No. | Lvl. | Loc. | Material Code | Description & Specification | SNA | Qty. |
|-----|------|------|---------------|---|-----|------|
| 1 | 1 | M001 | DE64-02356G | PANEL OUTER; MW73B-S,EGI-SECC,T0.4,NEO SI | SA | 1 |
| 1-1 | 2 | | DE64-02356A | PANEL OUTER-PRESS; 0.7ECO PLATFORM,EGI-SE | SNA | 1 |
| 2 | 2 | M040 | DE61-01263A | BRACKET-HVC; 0.7ECO PLATFORM,EGI-SECC,T0. | SA | 1 |
| 3 | 1 | B022 | DE94-02317B | ASSY BODY LATCH; RE-C21VB,GERSUNG u-swotc | SA | 1 |
| 3-1 | 2 | B077 | DE66-00231A | LATCH BODY; 0.8 CHIC,PP,WHITE,PP MU30HP(V | SA | 1 |
| 3-2 | 2 | B048 | 3405-001034 | SWITCH-MICRO; 125/250VAC,16A,200gf,SPST-N | SA | 2 |
| 3-3 | 2 | B046 | 3405-001032 | SWITCH-MICRO; 125/250VAC,16A,200gf,SPDT,T | SA | 1 |

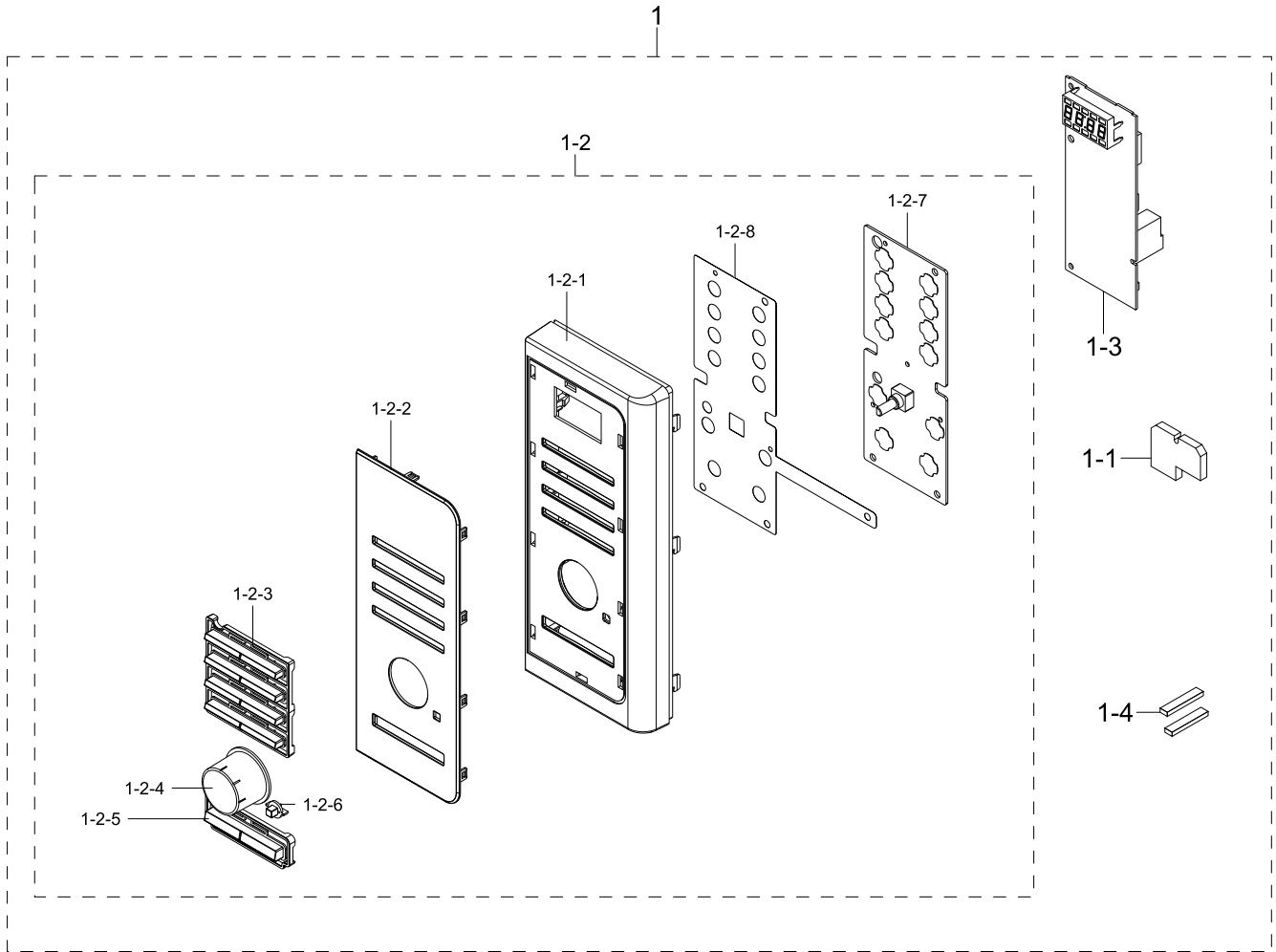
2. Assy Door

Exploded View



3. Assy Control

Exploded View



Parts List

| No. | Lvl. | Loc. | Material Code | Description & Specification | SNA | Qty. |
|-------|------|------|---------------|--|-----|------|
| 1 | 1 | C082 | DE94-03056B | ASSY CONTROL BOX; MG23F302TJS/EF,230V50HZ | SNA | 1 |
| 1-1 | 2 | C058 | DE63-00302A | CUSHION-PCB; PU FOAM,T5.0,W102,L78,BLACK, | SNA | 1 |
| 1-2 | 2 | C001 | DE94-03053G | ASSY CONTROL PANEL; MG23F302TJS/EF,NEO SI | SA | 1 |
| 1-2-1 | 3 | C005 | DE64-02731B | CONTROL PANEL; 0.8 MUSE3,ABS,W105.2,L260. | SA | 1 |
| 1-2-2 | 3 | | DE63-00767D | COVER PANEL; MG23F302TJS/EF, 0.8 MUSE3,SA | SNA | 1 |
| 1-2-3 | 3 | | DE64-02732A | BUTTON SELECT-A; 0.8 MUSE3,ABS,GE BLACK,T | SA | 1 |
| 1-2-4 | 3 | | DE64-02710A | KNOB DIAL; 1.1 CELLO,ABS,HB,GE BLACK,META | SA | 1 |