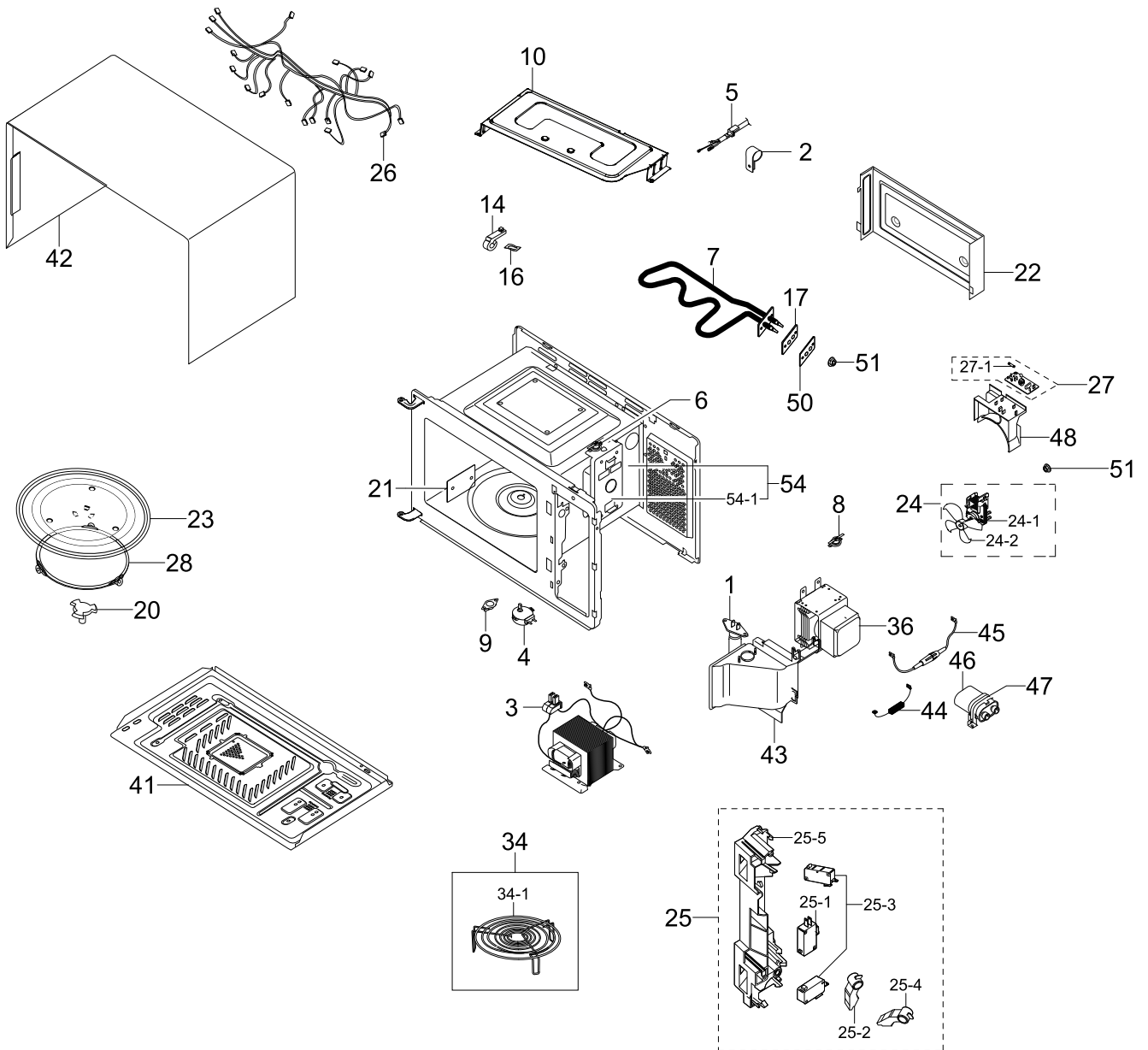


# 1. main

## Exploded View



## Parts List

No.	Lvl.	Loc.	Material Code	Description & Specification	SNA	Qty.
1	2	M036	4713-001524	LAMP-INCANDESCENT; 230V,20W	SA	1
2	2	M483	DE65-20014A	CABLE CLAMP; NY-66,DA-6N	SNA	1
3	2	M038	DE26-00144A	TRANS H.V; SHV-EURO4-1,230V,50Hz,2380V/3.	SA	1
4	2	M049	DE31-10154D	MOTOR SYNCHRONOUS; SSM-16H,CMO,FREE,5/6 R	SA	1
5	1	M015	DE96-00385E	ASSY POWER CORD; CEE,Straight,250V/10A,H0	SA	1
6	2	M451	DE47-20032B	THERMOSTAT; NT-101,125/250V,855,755,1	SA	1

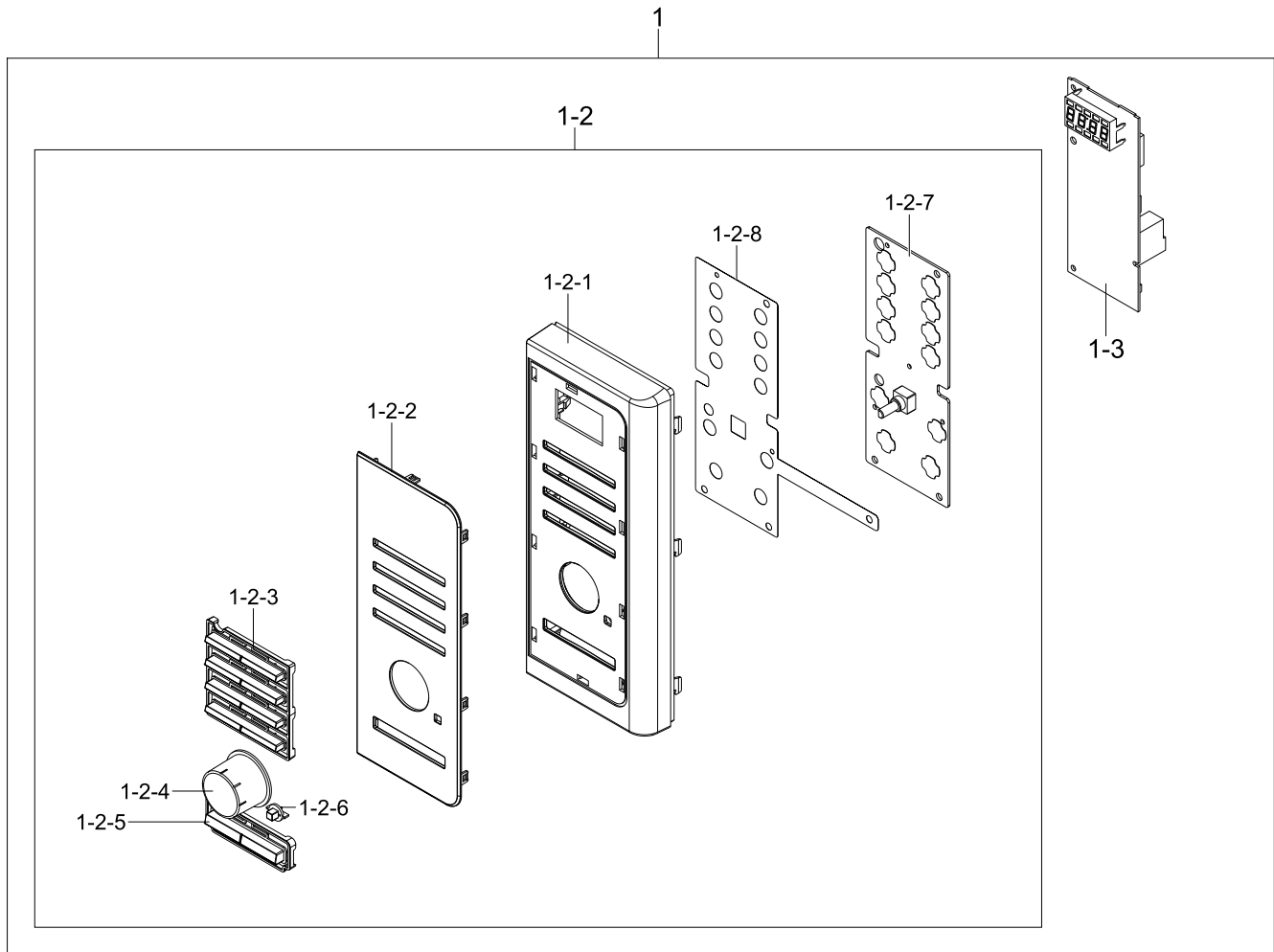
Exploded Views and Parts List

No.	Lvl.	Loc.	Material Code	Description & Specification	SNA	Qty.
7	2	H061	DE47-00016A	HEATER SHEATH; SHG-2638E,-,-,1100W(1080W)	SA	1
8	2	M436	DE47-20009A	THERMOSTAT; NT-101,125/250V,150(1607,60	SA	1
9	2	M447	DE47-20010A	THERMOSTAT; NT-101,125/250V,1205,60 15	SA	1
10	2	M003	DE61-01318A	BRACKET-UPPER(GRILL); 0.8 Chic,EGI-SECC,T	SA	1
14	2	M535	DE61-30008A	SUPPORT-HEATER; GE87H/BAL,ALUMINA,T12,W11	SA	1
16	2	M005	DE61-70060A	SPRING-PLATE; SK5,T0.5	SA	1
17	2	M008	DE63-00049A	GASKET-HEATER; CE2613N,BRASS,T1.0,W53,L15	SA	1
20	2	M034	DE67-00272A	COUPLER; CE73JD,PPS,BROWN,GIANT	SA	1
21	2	M051	DE71-00159A	COVER-CEILING; CN2835,MICA SHEET,T0.3,W11	SA	1
22	2	P186	DE63-00678A	COVER-BACK; 0.8 chic,EGI-SECC,T0.5,GRILL	SNA	1
23	2	T001	DE74-20102D	TRAY-COOKING; G643C-1(3RD-0.6),GLASS,T6,-	SA	1
24	2	M020	DE96-00848A	ASSY MOTOR FAN; MW73BR,SMF-E73A,230V 50Hz	SA	1
24-1	3	M023	DE31-10184J	MOTOR FAN; SMF-E73A,230V/50Hz,2450rpm,9T	SA	1
24-2	3	H018	DE31-00063A	BLADE-FAN; 0.7ECO PLATFORM,PP,GREY	SA	1
25	1	B022	DE94-02317B	ASSY BODY LATCH; RE-C21VB,GERSUNG u-swotc	SA	1
25-1	2	B046	3405-001032	SWITCH-MICRO; 125/250VAC,16A,200GF,SPDT	SNA	1
25-2	2	B010	DE66-00093A	LEVER-SWITCH(A); NC2000,PP,NTR,HANDLE	SA	1
25-3	2	S0021	3405-000178	SWITCH-MICRO; 250V,16A,200gf,SPST-NO	SA	2
25-4	2	B011	DE66-00094A	LEVER-SWITCH(B); NC2000,PP,NTR,HANDLE	SA	1
25-5	2	B077	DE66-00231A	LATCH-BODY(HANDLE); 0.8 CHIC,PP,WHITE	SA	1
26	1	W001	DE96-00865A	ASSY WIRE HARNESS; GS89F,0.8 CHIC,220V50H	SNA	1
27	2	M017	DE96-00399A	ASSY NOISE FILTER; MW840,SN-UF11A,250V15A	SA	1
27-1	3	M019	3601-001197	FUSE-CARTRIDGE; 250V,15A,SLOW-BLOW,CERAMI	SA	1
28	2	F535	DE97-00193D	ASSY GUIDE ROLLER; RE-C21AW,PPS,PTEF,15.5	SA	1
34	1		DE94-02439E	ASSY ACCESSORY PARTS; MUSE3 0.8 GRILL	SNA	1
34-1	2	T030	DE74-70071D	RACK-WIRE; 0.7/NC2000,MSWR-SWRM,PI3,D230,	SA	1
36	2	M035	OM75P(31)ESGN	ASSY-MGT; ASSY-MGT		1
41	2	M048	DE61-01262A	BASE-PLATE; 0.7ECO PLATFORM,GI-SGCC,T0.5	SA	1
42	1	M001	DE64-02356D	PANEL-OUTER; GS89-S,EGI-SECC,T0.4,488.8,B	SA	1

No.	Lvl.	Loc.	Material Code	Description & Specification	SNA	Qty.
43	2	M037	DE63-00651A	COVER-AIR; 0.7ECO PLATFORM,GI-SGCC,T0.4	SA	1
44	2	M527	DE59-00002A	DIODE-H.V; MWO ALL,2CL4512H,-,450mA 13KV,	SNA	1
45	2	M042	DE91-70061C	ASSY H.V.FUSE; -,THV060T-0700-H,5KV/0.70A	SA	1
46	2	M039	2501-001011	C-OIL; 910nF,2100V,BK,54x35x75mm,20mm	SA	1
47	2	M040	DE61-01263A	BRACKET-HVC; 0.7ECO PLATFORM,GI-SGCC,T0.6	SA	1
48	2		DE63-00652B	COVER-BLOWER (GRILL); 0.7ECO PLATFORM,PP,	SNA	1
50	2	M094	DE63-00048A	GASKET-STOPPER; CE2613N,EGI-SECC,T1.0,W53	SA	1
51	2	H024	DE60-30016A	NUT-FLANGE; MSWR-SWRM,MSWR10	SNA	2
54	3	M515	DE94-02267C	ASSY WAVE GUIDE; GS89F,CR-SPP,CHIC PJT.	SNA	1
54-1	4	P096	DE61-01391B	BRACKET-MGT; CE73JD,SPP,T0.8	SNA	1

# 1.1. ASSY CONTROL BOX

## Exploded View



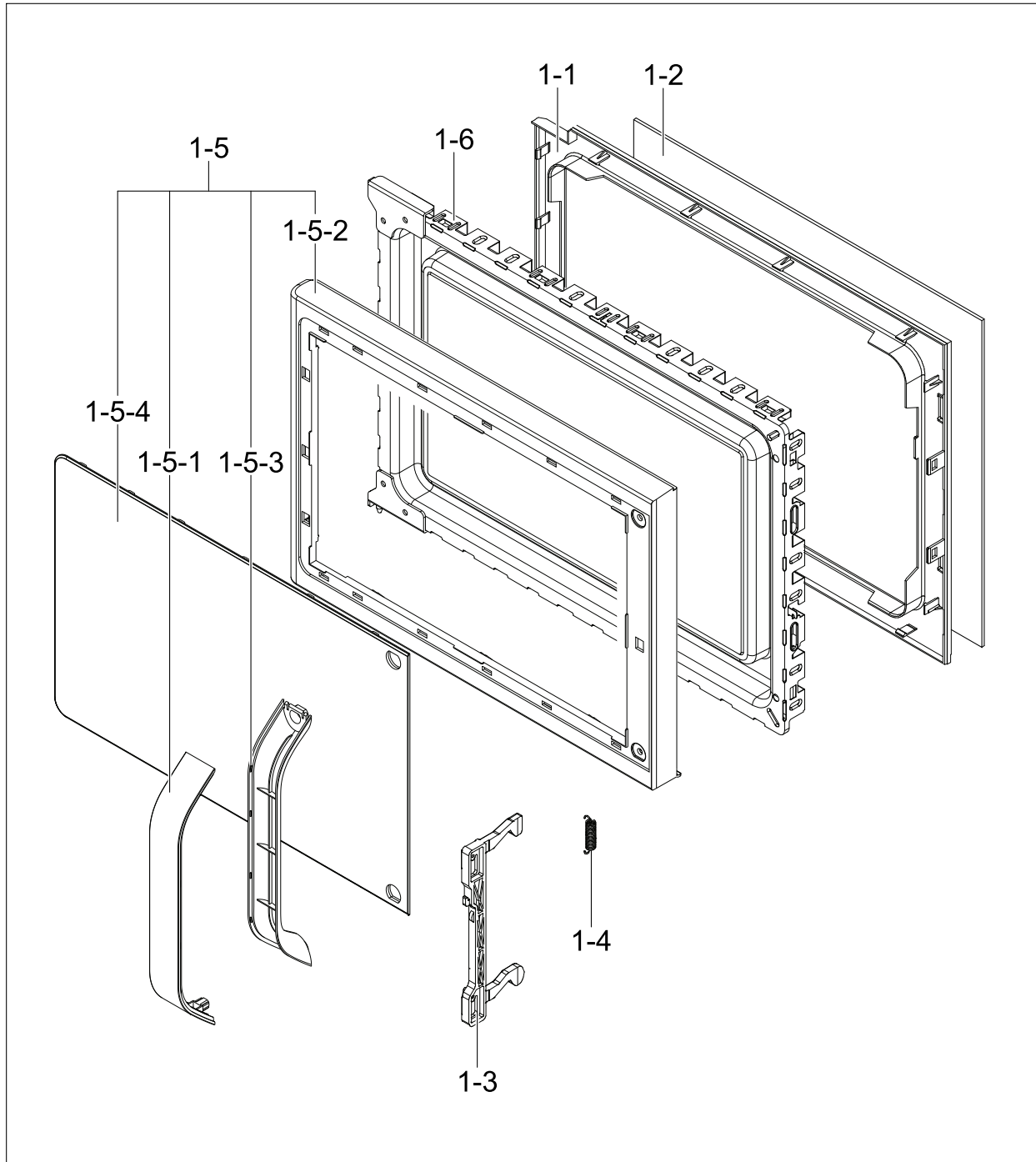
## Parts List

No.	Lvl.	Loc.	Material Code	Description & Specification	SNA	Qty.
1	1	C082	DE94-03056C	ASSY CONTROL BOX; MG23F301TCK/ET,230V50HZ	SNA	1
1-2	2	C001	DE94-03053M	ASSY CONTROL PANEL; MG23F301TCK/ET,BLACK	SA	1
1-2-1	3	C005	DE64-02731A	CONTROL-PANEL; 0.8 MUSE3,ABS,T3.1,W105.2,	SNA	1
1-2-2	3		DE63-00767D	COVER PANEL; MG23F302TJS/EF, 0.8 MUSE3,SA	SNA	1
1-2-3	3		DE64-02732A	BUTTON-SELECT A; 0.8 MUSE3,ABS,W73.8, H73	SA	1
1-2-4	3		DE64-02710A	KNOB DIAL; 1.1 CELLO,ABS,HB,GE BLACK,META	SA	1
1-2-5	3		DE64-02691B	BUTTON SELECT-B; MC32F606T(1.1CELLO),ABS,	SA	1

No.	Lvl.	Loc.	Material Code	Description & Specification	SNA	Qty.
1-2-6	3	C035	DE64-02709A	BUTTON-CLOCK; MC32F604T,ABS,HB,GE BLACK	SA	1
1-2-7	3	C084	DE96-01021A	ASSY KEY MODULE; MG23F302TAS,DKM-MS23T-00	SA	1
1-2-8	3	C107	DE01-00286A	FILM BOARD; MUSE3 TACT,PET,T0.12,W74,L182	SNA	1
1-3	2	F316	DE92-03487G	ASSY PCB MAIN; MG23F302TJS/EF,RCS-SMS3L-2	SA	1

## 1.2. Assy Door

### Exploded View



**Parts List**

No.	Lvl.	Loc.	Material Code	Description & Specification	SNA	Qty.
1	1	D049	DE94-03050C	ASSY DOOR; MG23F301TCK/ET,BLACK,MUSE3 0.8	SA	1
1-1	2	D006	DE64-02354A	DOOR-C; 0.7ECO PLATFORM,PP,BLACK	SNA	1
1-2	2	D005	DE64-00221E	FILM-DOOR; -,CE2877N,PET,T0.15,W143,L264,	SA	1
1-3	2	D011	DE64-02430A	DOOR-KEY; 0.8 Chic,POM,BLACK,Chic project	SA	1
1-4	2	D007	DE61-00193A	SPRING-KEY; MW1255,HSWR-SWRH,PI0.6,D5.5,L	SA	1
1-5	2	D037	DE94-03055C	ASSY DOOR A; MS23F301TAK,BLACK,MUSE3 0.8	SA	1
1-5-1	3	D147	DE63-00766A	COVER HANDLE; 0.8 MUSE3,ABS,T2.3,-,GE BLA	SNA	1
1-5-2	3	D002	DE64-02728A	DOOR-A; 0.8 MUSE3,ABS,T2.1,H260,W380,L26.	SNA	1
1-5-3	3	D019	DE64-02729A	HANDLE DOOR; 0.8 MUSE3,ABS,T2.3,W30.3,L22	SNA	1
1-5-4	3	D003	DE64-02740A	SCREEN-DOOR; 0.8 MUSE3,SAN,T2.3,W368,CR-5	SNA	1
1-6	2	D004	DE94-02262C	ASSY DOOR E-COATING; MW73B/XEF,GA T0.5,BL	SA	1