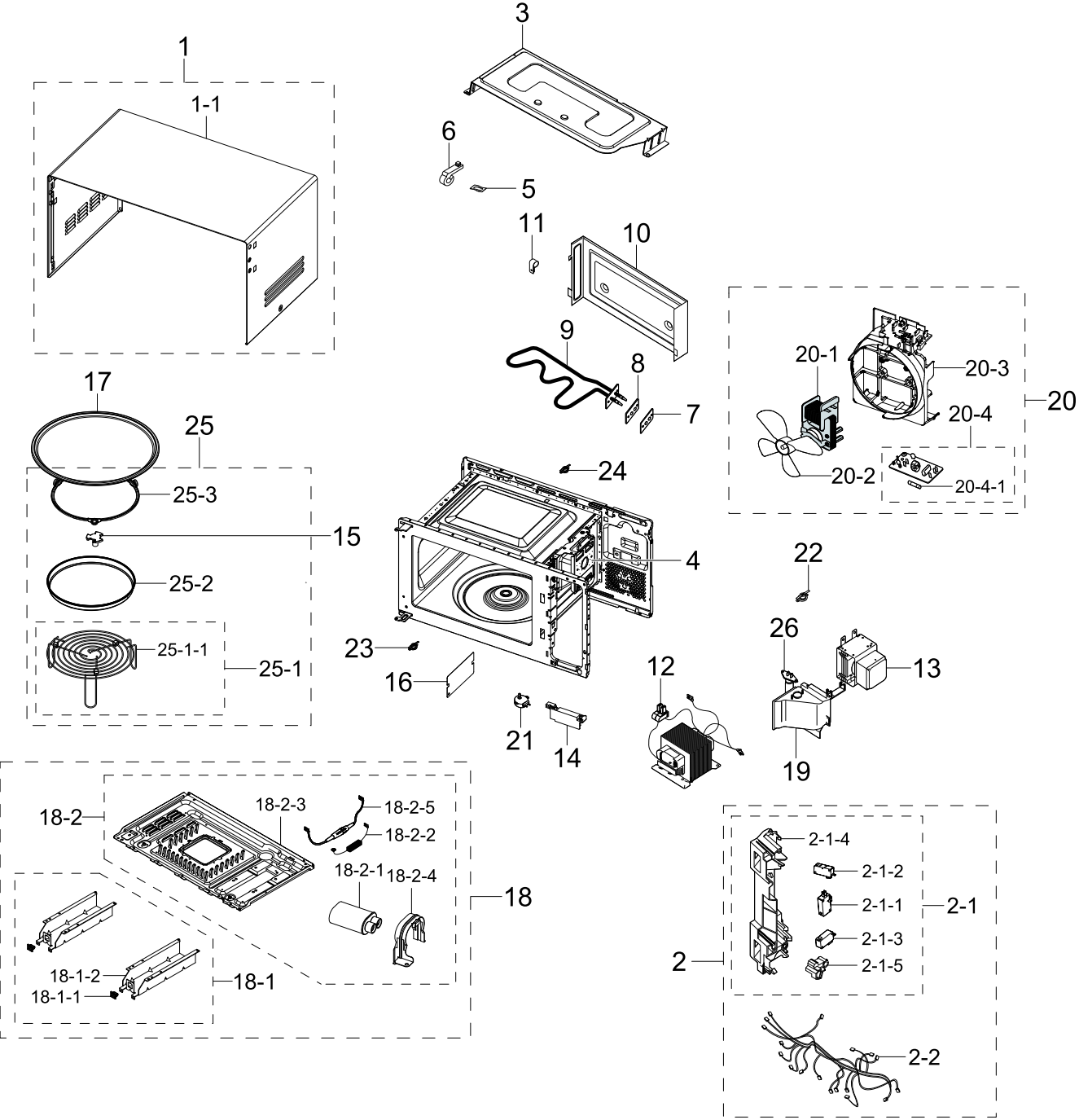


1. Main

Main

Exploded View



Parts List

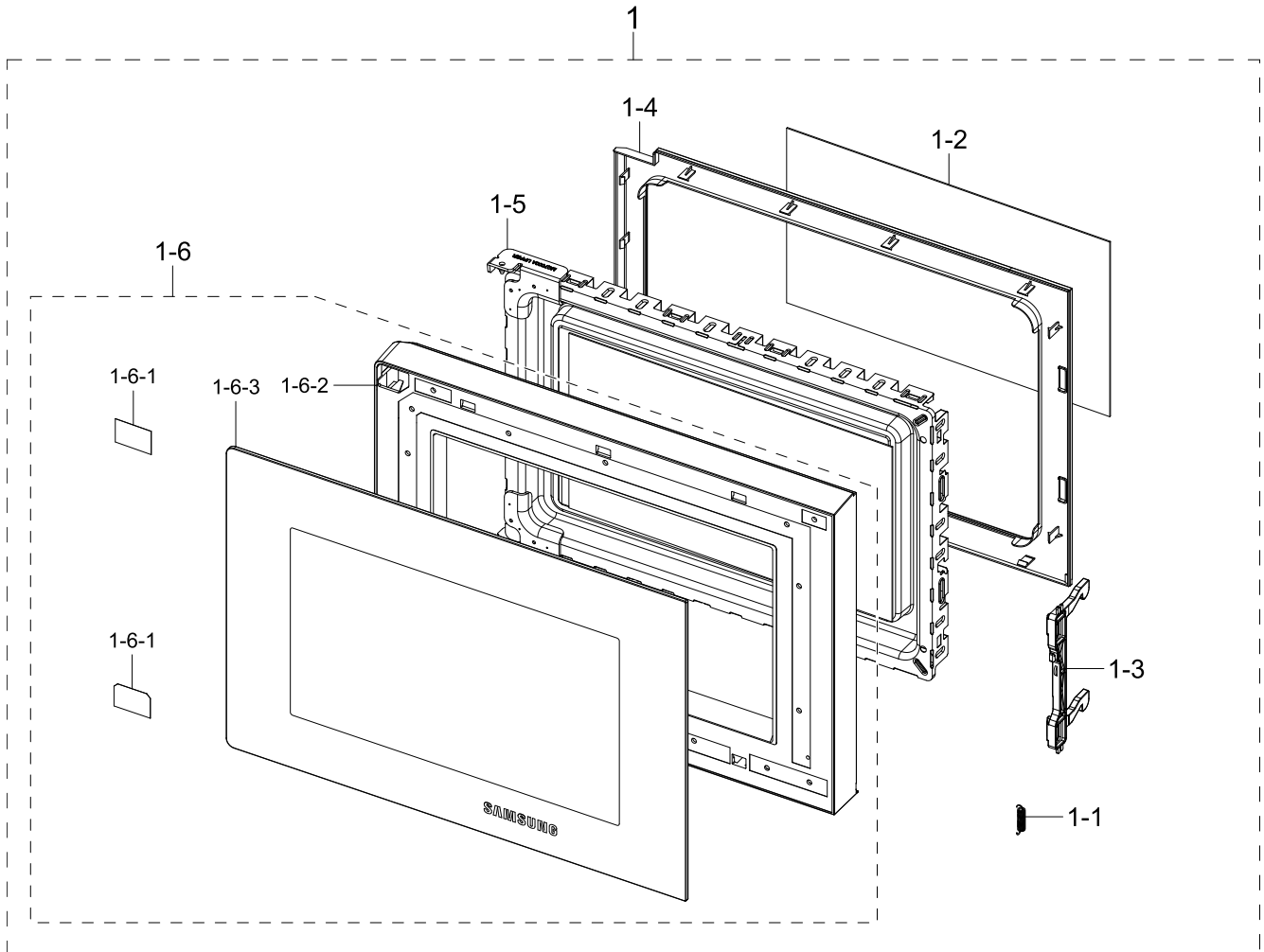
No.	Lvl.	Loc.	Material Code	Description & Specification	SNA	Qty.
1	2		DE94-05001A	ASSY PANEL OUTER; MG23A7118CK/EG,GI-SGCC,	SNA	1
1-1	3	M001	DE64-02356L	PANEL OUTER; MG23A7118,EGI-SECC,T0.5,W330	SA	1
2	2		DE94-03453A	ASSY HOLDER-WIRE; MWO MODEL,DE96-00406A+D	SNA	1
2-1	3	B022	DE94-02265E	ASSY BODY LATCH; ECO PUSH BUTTON,1A DOOR	SA	1
2-1-1	4	B046	3405-001032	SWITCH-MICRO; 125/250VAC,16A,200gf,SPDT,T	SA	1
2-1-2	4	B048	3405-001034	SWITCH-MICRO; 125/250VAC,16A,200gf,SPST-N	SA	1
2-1-3	4	S0021	3405-001116	SWITCH-MICRO; 125/250VAC,1A,200gf,SPST-NO	SA	1
2-1-4	4	B076	DE66-00225A	LATCH BODY; 0.7/0.8 ECO PLATFORM,PP,WHITE	SNA	1
2-1-5	4	L0001	DE66-00234A	LEVER SWITCH; MW73B,POM,F20-03,NATURAL,EC	SNA	1
2-2	3	W002	DE96-00406A	ASSY WIRE HARNESS-MAIN; 0.7_0.8 TransfOrm	SA	1
3	2	M003	DE61-01318A	BRACKET-UPPER(GRILL); 0.8 Chic,EGI-SECC,T	SNA	1
4	2	P141	DE94-02902B	ASSY CAVITY-COATING; MQ7000A,0.8,ENAMEL,C	SNA	1
5	2	M005	DE61-70060A	SPRING-PLATE; SK5,T0.5	SNA	1
6	2	M535	DE61-30008A	SUPPORT HEATER; GE87H/BAL,ALUMINA,W31,L40	SA	1
7	2	M012	DE61-01529A	BRACKET HEATER; 1.1 CELLO,EGI-SECC,T0.8	SNA	1
8	2	M008	DE63-00049B	GASKET-HEATER; CELLO,BRASS,T1,NATURAL	SNA	1
9	2	H061	DE47-00016A	HEATER SHEATH-GRILL; AC230V,BKT,1100W(108	SA	1
10	2	P186	DE63-00678A	COVER BACK; 0.8 chic,EGI-SECC,T0.4,GRILL	SNA	1
11	2	M483	DE65-20014A	CABLE CLAMP; NY-66,DA-6N	SNA	1
12	2	M038	DE26-00144A	TRANS H.V; SHV-EURO4-1,230V,2370/3.50V,AL	SA	1
13	2	M035	OM75P(31)ESGN	ASSY-MGT; ASSY-MGT		1
14	2	M099	DE66-00226A	LEVER DOOR; 0.7ECO PLATFORM,PP,GH23,WHITE	SA	1
15	2	M034	DE67-00258A	COUPLER; SPS,BROWN,C832,0103-001496	SA	1
16	2	M051	DE71-00159A	COVER-CEILING; CN2835,MICA SHEET,T0.3,NC0	SA	1
17	2	T001	DE74-20102D	TRAY COOKING; G643C-1(3RD-0.6),GLASS,T6,L	SA	1
18	1	U001	DE94-04295A	ASSY BASE BOTTOM; FG87SBTR/BW,OUTSOURCING	SA	1

No.	Lvl.	Loc.	Material Code	Description & Specification	SNA	Qty.
18-1	2	P327	DE94-02632A	ASSY BRACKET-BASE; FG88SUST,TRANSFORMER	SA	2
18-1-1	3		DE61-00744A	HOLDER-TRIM; MTBI,PA66,NATURAL,KN3311	SNA	2
18-1-2	3	P076	DE61-01386A	BRACKET-BASE; MBO Project,GI-SGCC,T1.2,W0	SA	2
18-2	2	M155	DE94-04193A	ASSY BASE PLATE; FG87SST/BOL,GI-SGCC,T0.5	SA	1
18-2-1	3	M039	2501-001011	C-OIL HIGH VOLTAGE; 910nF,2100V,BK,34x54x	SA	1
18-2-2	3	M527	DE59-00002A	DIODE-H.V; MWO,2CL4512H/CL04-12A,500mA,12	SA	1
18-2-3	3	M048	DE61-01262C	BASE PLATE; FG88SUST,GI-SGCC,T0.5,TRANSFO	SNA	1
18-2-4	3	M040	DE61-01263A	BRACKET-HVC; 0.7ECO PLATFORM,EGI-SECC,T0.	SA	1
18-2-5	3	M042	DE91-70061C	ASSY H.V.FUSE; THV060T,5KV,700,SCREW,BLU,	SA	1
19	2	M036	4713-001524	LAMP-INCANDESCENT; 22x53,BK,20,230,CLEAR,	SA	1
20	2	M020	DE96-01109C	ASSY MOTOR FAN; MG23J5133AT/EG,230V,50Hz,	SA	1
20-1	3	M023	DE31-10185A	MOTOR AC FAN; SMF-3RDEA1,2,230V,50Hz,20W,	SA	1
20-2	3	H099	DE31-90057A	BLADE-FAN; 3RD-W,PP,T1.5,T1.5,NATURAL	SA	1
20-3	3		DE63-00788A	COVER BLOWER; ECO, NC2K,PP+TD30%,T1.2,HB,	SA	1
20-4	3	M017	DE96-00399A	ASSY NOISE FILTER; SN-UF11A,250V/15A,250V	SA	1
20-4-1	4	M019	3601-001197	FUSE-CARTRIDGE; 250V,15A,SLOW-BLOW,CERAMI	SA	1
21	2	M049	DE31-10154D	MOTOR AC DRIVE; 8Pole,21V,50-60Hz,200mA,3	SA	1
22	2	M436	DE47-20009A	THERMOSTAT; AC125/250V,15/10A,150C,60C,No	SA	1
23	2	M447	DE47-20010A	THERMOSTAT; AC125/250V,15/10A,120C,60C,No	SA	1
24	2	M451	DE47-20032B	THERMOSTAT; AC125/250V,15/10A,85C,75C,Nor	SA	1
25	2		DE98-02355A	ASSY PACKING ACCESSORY; MQ7000A,23L	SNA	1
25-1	3	T010	DE97-00106G	ASSY WIRE RACK; GE89MPSR/BWT,ALL 0.8 ENAM	SA	1
25-1-1	4	T030	DE74-70071D	RACK WIRE; 0.7/NC2000,MSWR-SWRM,PI3,D230,	SA	1
25-2	3	T131	DE74-20114B	TRAY-BROILER; 0.8 CU.FT. MODEL,Al,T0.8,L3	SNA	1
25-3	3	F535	DE94-04260C	ASSY GUIDE ROLLER; EU MWO BUILT-IN,PPS,TE	SA	1
26	2	M037	DE63-00651A	COVER AIR; 0.7ECO PLATFORM,GI-SGCC,T0.4	SA	1

2. Assy Door

Assy Door

Exploded View



Parts List

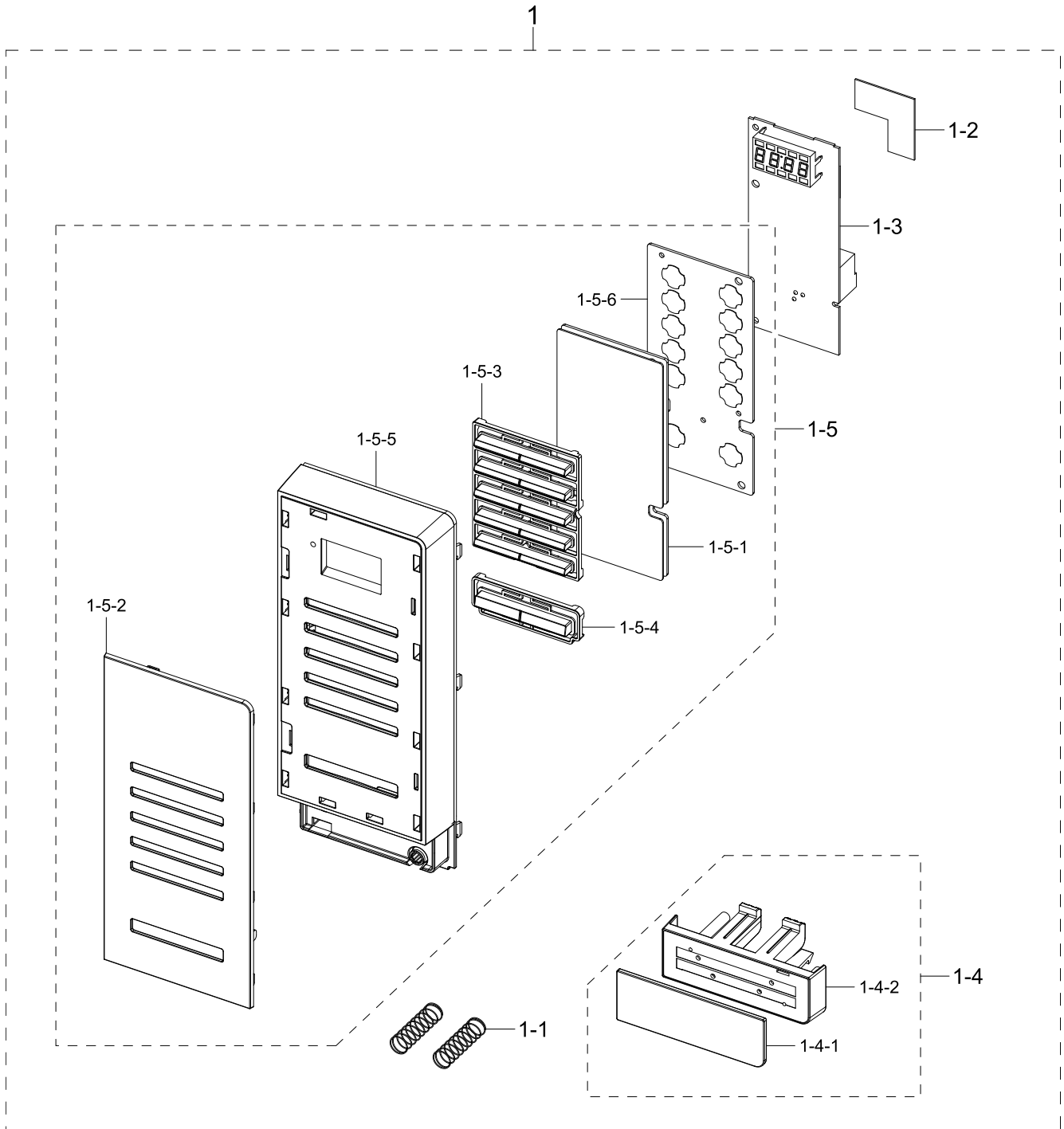
No.	Lvl.	Loc.	Material Code	Description & Specification	SNA	Qty.
1	1		DE94-04948D	ASSY DOOR-MODULE; MG23A7013CT/EG,ABS,BLAC	SA	1
1-1	2	D007	DE61-00198A	SPRING KEY; M1877,HSWR-SWRH,PI0.7,D6,24 1	SNA	1
1-2	2	D005	DE64-00221E	FILM DOOR; -,CE2877N,PET,T0.15,W143,L264,	SNA	1
1-3	2	D011	DE64-02355A	KEY DOOR; 0.7ECO PLATFORM,POM,BLACK	SA	1
1-4	2	D006	DE64-02436A	DOOR C; MW73E,PP+TD30%,HB,TB53,BLACK,MT44	SA	1
1-5	2	D004	DE94-04947A	ASSY DOOR E-COATING; MQ7000A,CR-SPCD,T0.4	SNA	1
1-6	2	D037	DE94-04949D	ASSY DOOR A; MQ7000A,20L,ABS,BLACK	SA	1

No.	Lvl.	Loc.	Material Code	Description & Specification	SNA	Qty.
1-6-1	3	D005	DE01-00307A	FILM DOOR; PET,T0.15,W30,L20,CLEAR,MQ7000	SNA	2
1-6-2	3	D002	DE64-03087A	DOOR A; MQ7000A,ABS,T2.3,W381.1,L261.3,HB	SNA	1
1-6-3	3	D003	DE64-03089D	SCREEN DOOR; MQ7000A,20L,GLASS,T3.2,W380.	SNA	1

3. Assy Control Box

Assy Control Box

Exploded View



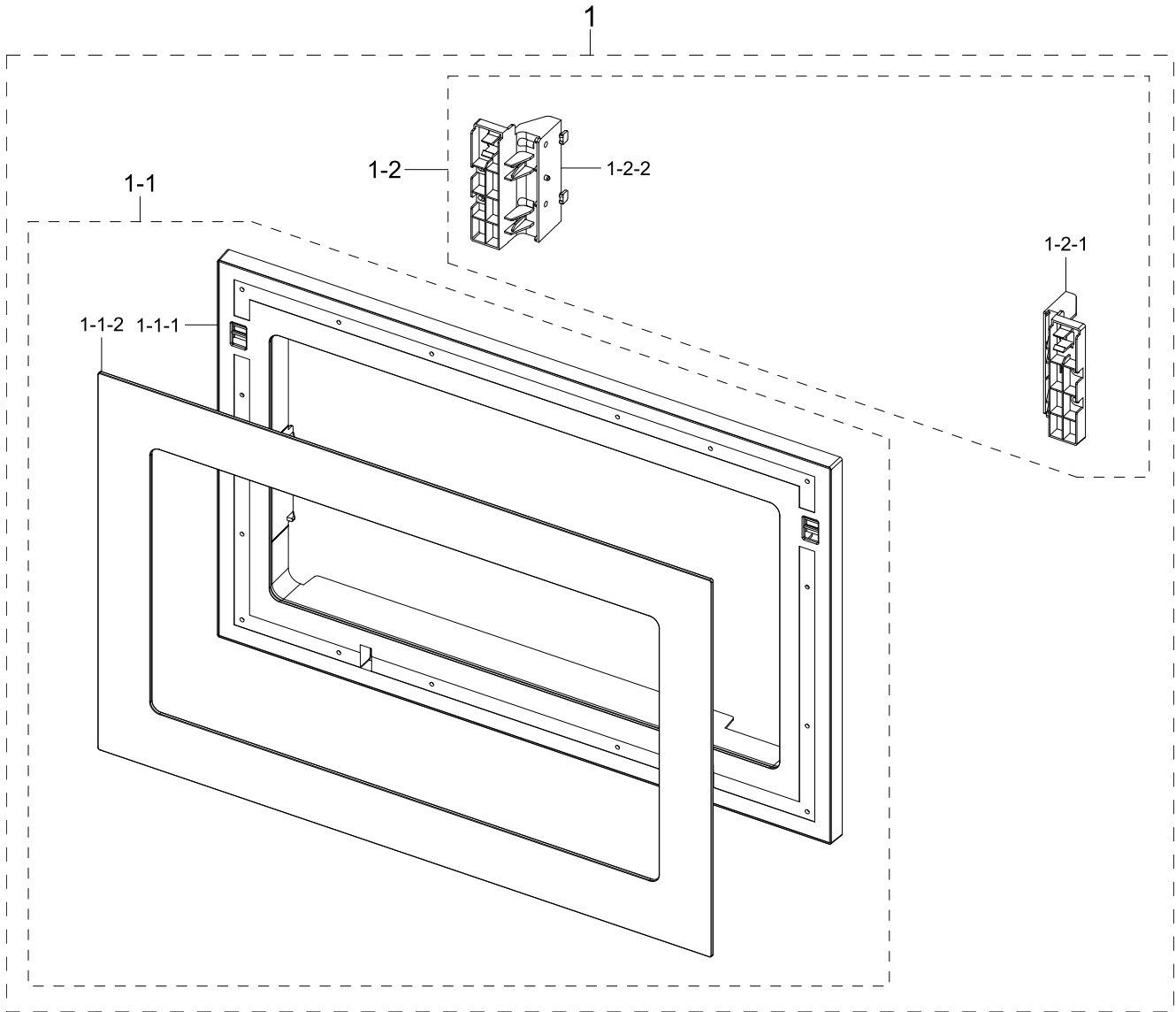
Parts List

No.	Lvl.	Loc.	Material Code	Description & Specification	SNA	Qty.
1	1	C082	DE94-04963B	ASSY CONTROL BOX; MG23A7013CT,MQ7000A,BLA	SNA	1
1-1	2	F037	DE61-01760A	SPRING ETC; MQ7000A,SWPB,0.5mm,ID11.5,L42	SNA	2
1-2	2	C058	DE63-00302A	CUSHION-PCB; PU FOAM,T5.0,W102,L78,BLACK,	SNA	1
1-3	2	F316	DE92-04481A	ASSY PCB MAIN; SMS3L,MQ7000A,150*63,230V/	SA	1
1-4	2		DE94-04951A	ASSY BUTTON PUSH; MQ7000A,ABS,BLACK,TACT	SNA	1
1-4-1	3		DE63-00919A	COVER BUTTON; MQ7000A,ACRYL,T3,TACT	SNA	1
1-4-2	3	C007	DE64-03084A	BUTTON PUSH; MQ7000A,ABS,HB,GE BLACK	SNA	1
1-5	2	C001	DE94-04961A	ASSY CONTROL PANEL; MQ7000A,BLACK,ABS,TAC	SA	1
1-5-1	3	C107	DE01-00286B	FILM BOARD; Al,T0.1,W73.67,L157.4,TACT,5+	SNA	1
1-5-2	3		DE63-00918A	COVER PANEL; MQ7000A,SAN,T2.3,HB,BLACK SM	SNA	1
1-5-3	3		DE64-02690B	BUTTON SELECT-A; MC32F606T(1.1CELLO),ABS,	SNA	1
1-5-4	3		DE64-02691B	BUTTON SELECT-B; MC32F606T(1.1CELLO),ABS,	SNA	1
1-5-5	3		DE64-03086A	PANEL CONTROL; MQ7000A,ABS,T2.3,W108.7,L2	SNA	1
1-5-6	3		DE92-03945A	ASSY MODULE; ASSY KEY MODULE,MW3500K-PJT,	SA	1

4. Assy Trim Pad

Assy Trim Pad

Exploded View



Parts List

No.	Lvl.	Loc.	Material Code	Description & Specification	SNA	Qty.
1	2		DE94-04995A	ASSY TRIM PAD; MG20A7013CT/EG,MQ7000A,20L	SA	1
1-1	3	M166	DE94-04997A	ASSY TRIM KIT; MG20A7013CT/EG,STS TRIM	SA	1
1-1-1	4	P139	DE64-03082A	TRIM; MG20A7013CT,ABS,HG-0760SR,GE BLACK,	SNA	1
1-1-2	4	P305	DE64-03081A	INLAY-TRIM; MG20A7013,STS430J1L,T0.5,W600	SNA	1
1-2	3	M060	DE94-04996A	ASSY HARD WARE; MQ7000A,20L,23L	SA	1

No.	Lvl.	Loc.	Material Code	Description & Specification	SNA	Qty.
1-2-1	4		DE61-01755A	HOLDER TRIM-RIGHT; MG23A7118,ABS,T,GE BL	SNA	1
1-2-2	4		DE61-01758A	HOLDER TRIM-LEFT; MG23A7118,ABS,GE BLACK,	SNA	1