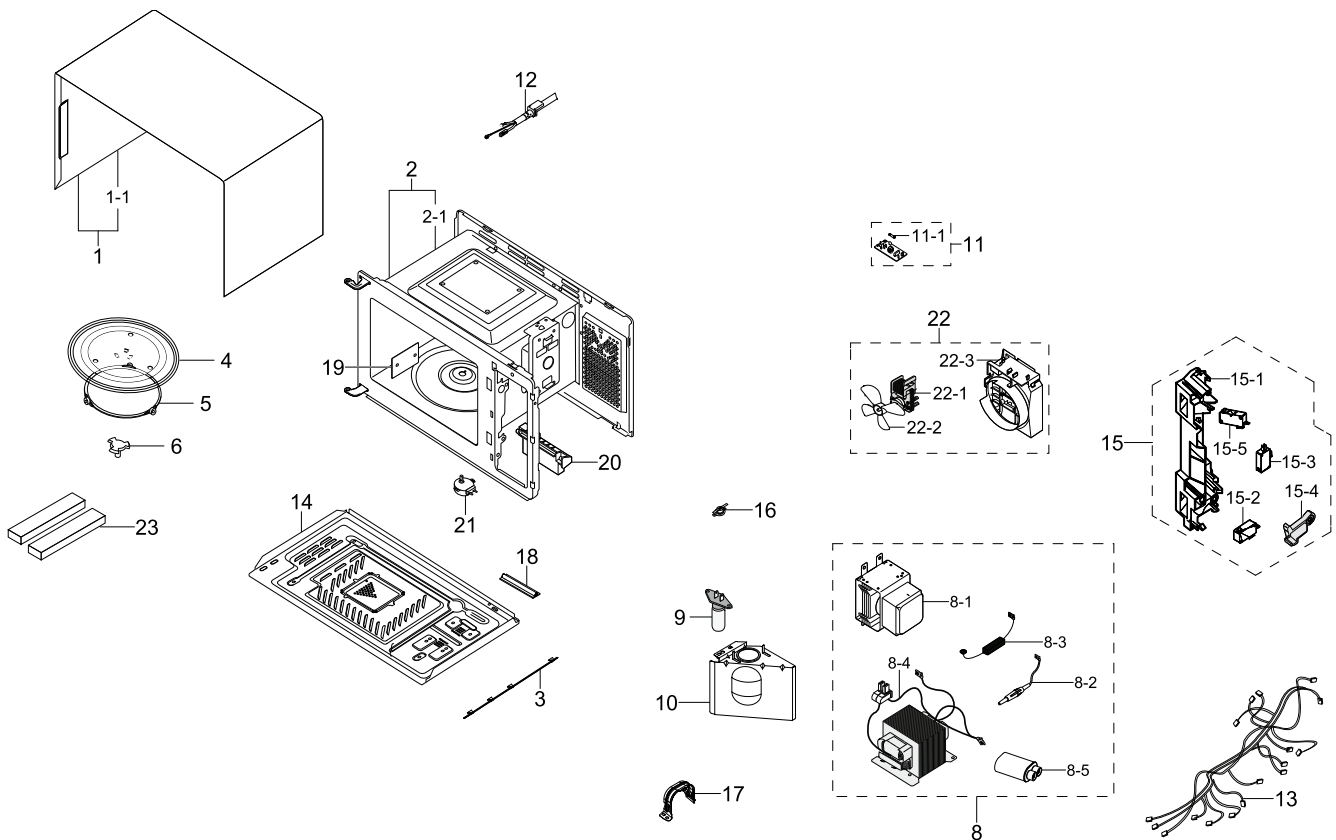


# 1. Main

## Exploded View



## Parts List

No.	Lvl.	Loc.	Material Code	Description & Specification	SNA	Qty.
1	1	M001	DE64-02356D	PANEL OUTER; GS89-S,EGI-SECC,T0.4,488.8,-	SA	1
1-1	2		DE64-02356A	PANEL OUTER-PRESS; 0.7ECO PLATFORM,EGI-SE	SNA	1
2	1	P141	DE94-02251C	ASSY CAVITY-COATING; CMO,0.7,ENEMAL,ECO P	SNA	1
2-1	2	Z778	DE94-02323C	ASSY CAVITY-WELDING; ME731K/XSV,0.7,ENAME	SNA	1
3	2		DE63-00787A	COVER BASE; ECO, NC2K, 1.0,PP,T1.5,HB,BLA	SA	1
4	2	T001	DE74-00027A	TRAY COOKING; NC2000,NC06,GLASS,T5,255mm,	SA	1
5	2	T165	DE94-02266D	ASSY GUIDE ROLLER; MW73BR/BWT (ECO),SPS,T	SA	1
6	2	M034	DE67-00258A	COUPLER; 0.7ECO PLATFORM,PPS,BROWN	SA	1
8	1		DE98-01235A	ASSY-POWER PACK; ME731K/XSM,MESIA,SOFT1	SNA	1
8-1	2	M035	OM75S(31)ESGN	ASSY-MGT; ASSY-MGT		1
8-2	2	M042	DE96-00831A	ASSY H.V.FUSE; 5KV,650mA,Case-Cover,GRY,#	SA	1

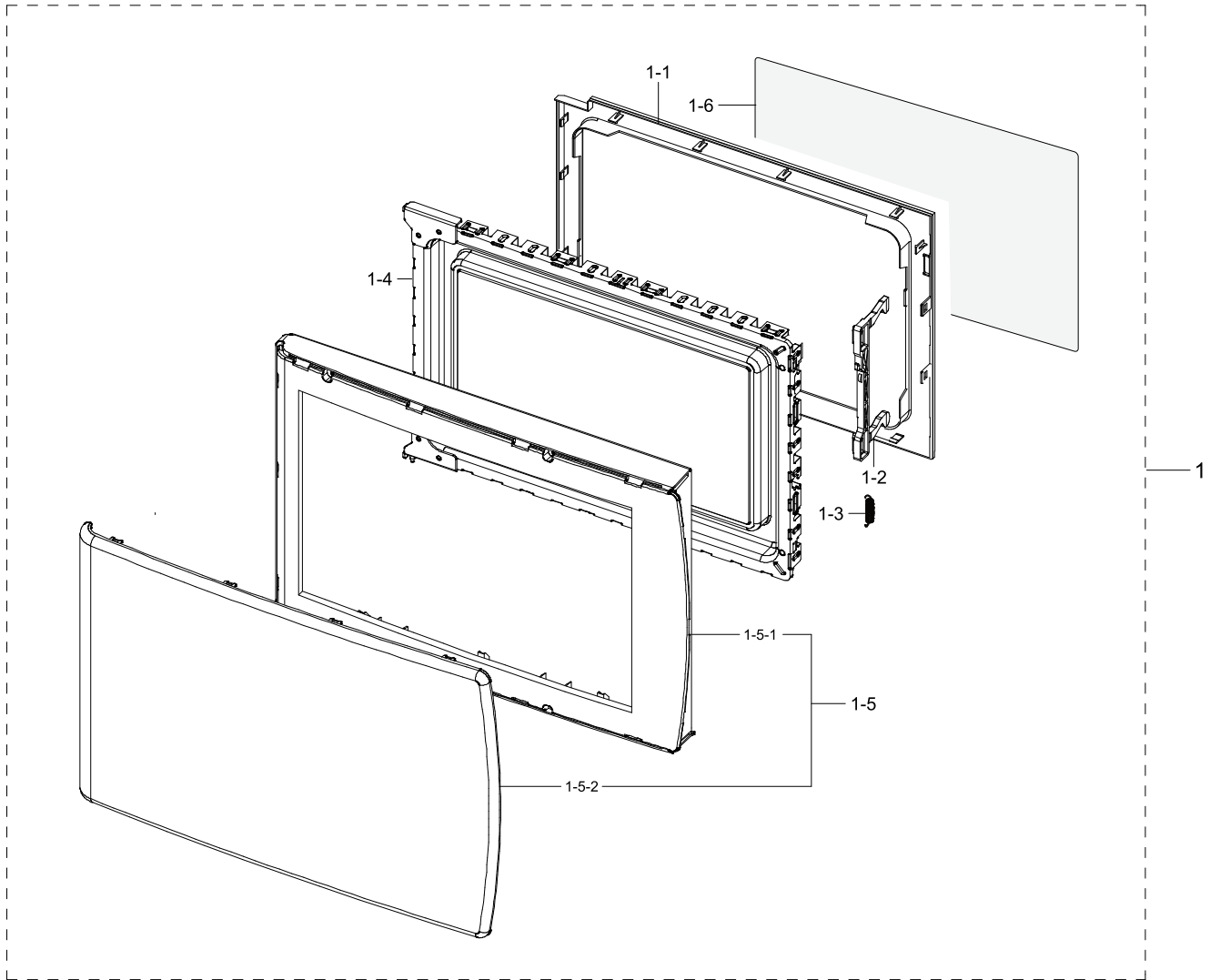
Exploded Views and Parts List

No.	Lvl.	Loc.	Material Code	Description & Specification	SNA	Qty.
8-3	2	M527	DE59-00002A	DIODE-H.V; MWO,2CL4512H/CL04-12A,500mA,12	SA	1
8-4	2	M038	DE26-00160A	TRANS H.V; SHV-EPT06A,230V,2280V/3.85V,AL	SA	1
8-5	2	M039	2501-001011	C-OIL HIGH VOLTAGE; 910nF,2100V,BK,34x54x	SA	1
9	2	M036	4713-001524	LAMP-INCANDESCENT; 22x53,BK,20,230,CLEAR,	SA	1
10	2	M037	DE63-00651A	COVER-AIR; 0.7ECO PLATFORM,GI-SGCC,T0.4	SA	1
11	2	M017	DE96-00822A	ASSY NOISE FILTER; SN-ESMA,250V/10A,250V/	SA	1
11-1	3	M019	3601-000448	FUSE-CARTRIDGE; 250V,10A,SLOW-BLOW,CERAMI	SC	1
12	1	M015	DE96-00299B	ASSY POWER CORD; BSI/PSB,Flag,U.K/S"PORE,	SA	1
13	2	W002	DE96-00934A	ASSY WIRE HARNESS-A; RE-C21AW,220V/60HZ,0	SA	1
14	2	M048	DE61-01262A	BASE PLATE; ECO,GI-SGCC,T0.5,EU Regulatio	SNA	1
15	2	B022	DE94-02265E	ASSY BODY LATCH; ECO PUSH BUTTON,1A DOOR	SA	1
15-1	3	B076	DE66-00225A	LATCH BODY; 0.7/0.8 ECO PLATFORM,PP,WHITE	SNA	1
15-2	3	B046	3405-001032	SWITCH-MICRO; 125/250VAC,16A,200gf,SPDT,T	SNA	1
15-3	3	S0021	3405-001116	SWITCH-MICRO; 125/250VAC,1A,200gf,SPST-NO	SNA	1
15-4	3	L0001	DE66-00234A	LEVER-SWITCH; MW73B,POM,WHITE,ECO PUSH BU	SNA	1
15-5	3	B048	3405-001034	SWITCH-MICRO; 125/250VAC,16A,200gf,SPST-N	SNA	1
16	2	M440	DE47-20008A	THERMOSTAT; 125/250V,15/7.5A,100,60,NORMA	SA	1
17	2	M040	DE61-01263A	BRACKET-HVC; 0.7ECO PLATFORM,GI-SGCC,T0.6	SA	1
18	2		DE66-00219A	WIRE-BAND; ALL CMO MODEL,PP,T0.9 W2.8 L14	SNA	1
19	2	M051	DE71-00159A	COVER-CEILING; CN2835,MICA SHEET,T0.3,W11	SA	1
20	2	M099	DE66-00226A	LEVER DOOR; 0.7ECO PLATFORM,PP,WHITE	SA	1
21	2	M049	DE31-10154D	MOTOR AC DRIVE; SSM-16H,8,21V,50/60Hz,5/6	SA	1
22	2	M020	DE96-00848E	ASSY MOTOR FAN; GE73M/XEO,230V50HZ,2450R.	SA	1
22-1	3	M023	DE31-10185A	MOTOR AC FAN; SMF-3RDEA1,2,230V,50Hz,20W,	SA	1
22-2	3	H099	DE31-90057A	BLADE-FAN; 3RD-W,PP,-,T1.5,-,T1.5,-	SA	1

No.	Lvl.	Loc.	Material Code	Description & Specification	SNA	Qty.
22-3	3		DE63-00788A	COVER BLOWER; ECO, NC2K,PP,T1.2,HB,NATURA	SA	1
23	2	M126	DE63-90064B	CUSHION; PU FOAM,T5X10X50	SNA	2

# 1.1. Assy Door

## Exploded View



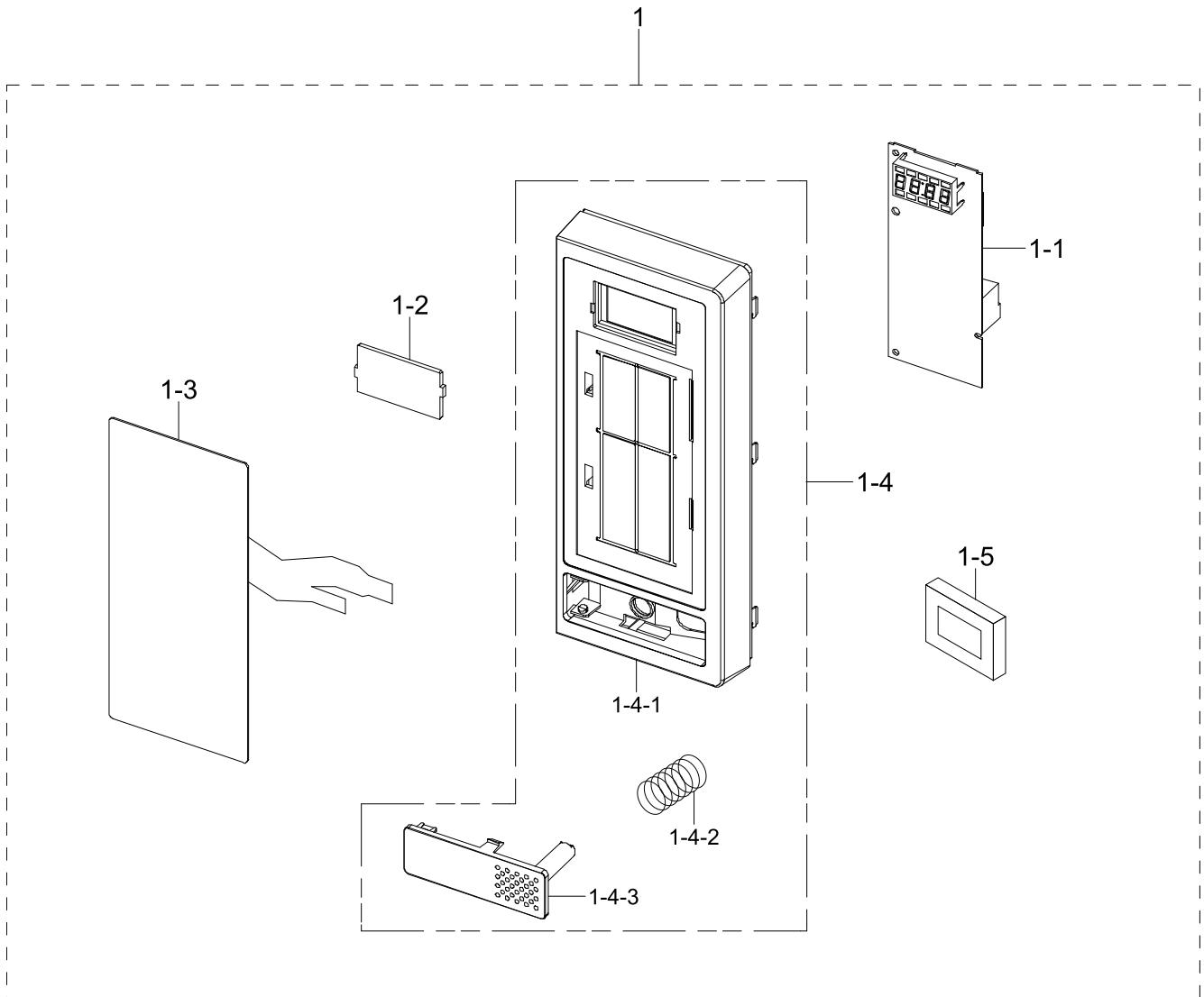
## Parts List

No.	Lvl.	Loc.	Material Code	Description & Specification	SNA	Qty.
1	1	D049	DE94-02426N	ASSY DOOR; ME731K-B/XEU,BLACK,UK	SNA	1
1-1	2	D006	DE64-02354A	DOOR-C; 0.7ECO PLATFORM,PP,-,HB,T332,BLAC	SNA	1
1-2	2	D011	DE64-02355A	KEY-DOOR; 0.7ECO PLATFORM,POM,BLACK	SA	1
1-3	2	D007	DE61-00198A	SPRING KEY; M1877,HSWR-SWRH,PI0.7,D6,24 1	SNA	1
1-4	2	D004	DE94-02262C	ASSY DOOR E-COATING; MW73B/XEF,GA T0.5,BL	SA	1
1-5	2	D037	DE94-02413C	ASSY DOOR A; MW711K-B/XEF,ABS HG-0760SR,B	SA	1
1-5-1	3	D002	DE64-02485C	DOOR-A; MW711K-B/XEF,ABS,BLACK,SOFT1	SNA	1

No.	Lvl.	Loc.	Material Code	Description & Specification	SNA	Qty.
1-5-2	3	D024	DE64-02483A	SCREEN-DOOR(B); MW731R,SAN,BLACK,SOFT1	SNA	1
1-6	2	D005	DE64-00221B	FILM DOOR; -, -,PET,T0.13,W264*L143,-, -,NC	SNA	1

## 1.2. Assy Control

### Exploded View



### Parts List

No.	Lvl.	Loc.	Material Code	Description & Specification	SNA	Qty.
1	1	C082	DE94-03291B	ASSY CONTROL BOX; ME731K-B/XEU,120V/60HZ,	SNA	1
1-1	2	F316	DE92-03439N	ASSY PCB MAIN; RCS-SMS3L-296,TRENDY-PJT,3	SA	1
1-2	2	C009	DE64-01986A	WINDOW-DISPLAY; LATIN2,SAN,-,-,-,-,-	SNA	1
1-3	2	C004	DE34-00441B	SWITCH MEMBRANE; ME731K-B/XEU,PC,230V/50H	SNA	1
1-4	2	C001	DE94-02425C	ASSY CONTROL PANEL-(MEMB); GW731K-B/BOL,B	SA	1
1-4-1	3	C005	DE64-02481C	CONTROL-PANEL; GW731K-B/BOL,ABS,BLACK,SOF	SA	1

No.	Lvl.	Loc.	Material Code	Description & Specification	SNA	Qty.
1-4-2	3	R014	DE61-70076A	SPRING-BUTTON; HSWR-SWRH,PI0.6,OD19,L23,5	SNA	1
1-4-3	3	C007	DE64-02484C	BUTTON PUSH; GW731K-B/BOL,ABS,GE BLACK,SO	SA	1
1-5	2	P021	DE63-00408A	CUSHION SPONGE; PU FOAM,BLACK,PCB SPONGE,	SA	1