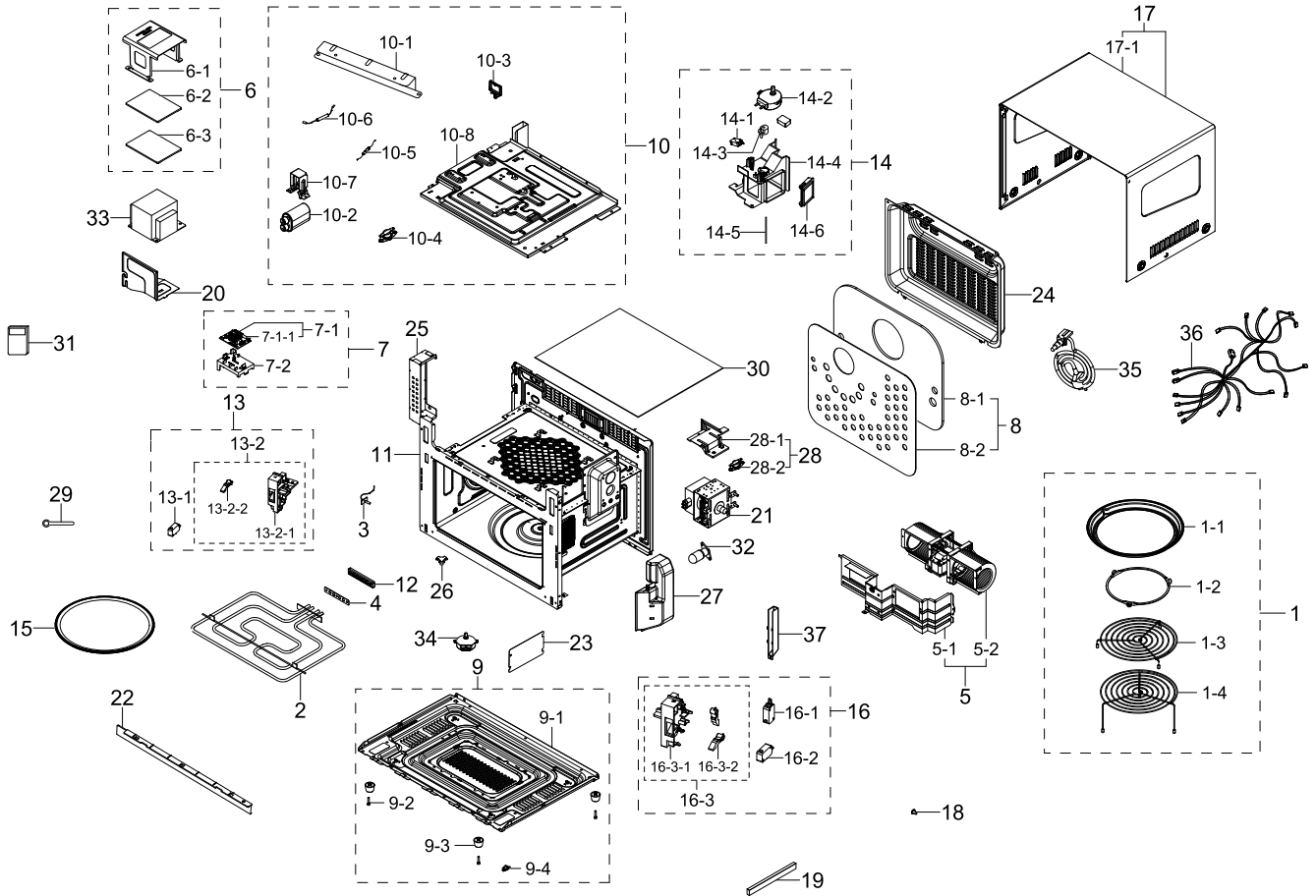


1. Main

Main

Exploded View



Parts List

No.	Lvl.	Loc.	Material Code	Description & Specification	SNA	Qty.
1	1	T042	DE98-02266A	ASSY PACKING TRAY; MW8000R EU MODEL,PAD T	SNA	1
1-1	2		DE94-04334A	ASSY TRAY BROILER; MW8000R,AL T1.2, TEFRO	SA	1
1-2	2	T159	DE97-00222A	ASSY GUIDE ROLLER; NC-1.2CUFT,SPS(C832),0	SC	1
1-3	2	T009	DE97-00136B	ASSY WIRE RACK; CK95,-,-,LOW-RACK	SA	1
1-4	2	T010	DE97-00136A	ASSY WIRE RACK; CK95,-,-,-	SA	1
2	2	H071	DE47-00061A	HEATER SHEATH-GRILL; AC230V,1200W/950W,IN	SA	1
3	2	M409	DE91-70083A	ASSY THERMISTOR; Aurora,PTM-K312-S5,-20	SA	1
4	2		DG63-00318A	GASKET HEATER; NQ50C7535DS,BRASS,T1,W90.5	SA	1

Exploded Views and Parts List

No.	Lvl.	Loc.	Material Code	Description & Specification	SNA	Qty.
5	1		DE90-00938F	ASSY MOTOR VENTILATION; MW8000J,230V,50HZ	SA	1
5-1	2		DE94-03281A	ASSY BRACKET VENT; MW8000J,EGI-SECC	SA	1
5-2	2	M302	DE31-00051C	MOTOR AC FAN-BLOWER; SMB-E365B,2,230V,50H	SNA	1
6	2	P275	DE97-00737B	ASSY BRACKET-HVT; BI MWO,SECC,T1.6,BI MWO	SNA	1
6-1	3	P276	DE61-00978A	BRACKET-HVT; AURORA,EGI-SECC,T1.6,W303,L1	SNA	1
6-2	3	M393	DE63-00611A	CUSHION RUBBER; TRIO-PLUS BI,EPDM,T5.0,W1	SA	1
6-3	3	M393	DE63-00476A	CUSHION RUBBER; TRIO-PLUS BI,EPDM,T5.0,W1	SA	1
7	1		DE94-01660C	ASSY HOLDER NOISE FILTER; CP1370,TRIO PLU	SNA	1
7-1	2	M017	DE96-00399F	ASSY NOISE FILTER; SN-UF11F,250V/15A,250V	SA	1
7-1-1	3	M019	3601-001197	FUSE-CARTRIDGE; 250V,15A,SLOW-BLOW,CERAMI	SA	1
7-2	2	M264	DE61-01003A	HOLDER NOISE FILTER; AURORA,PP+TD30%,BLAC	SNA	1
8	1	M215	DE94-02020A	ASSY-ADIABATIC; CE3780/HAC,MICA Sheet,T0.	SNA	1
8-1	2		DE63-00842A	COVER STIRRER; MC324GAKCPB,MICA SHEET,T0.	SNA	1
8-2	2	X083	DE61-01160A	BRACKET-ADIABATIC; CE3780/HAC,AL,T0.5,W10	SNA	1
9	1	M155	DE94-02199C	ASSY BASE PLATE; MC35R8058CC/EF,Front Hol	SA	1
9-1	2	M048	DE61-01220D	BASE PLATE; MW8000R,GI-SGCC,T0.6,120mm	SNA	1
9-2	2	M046	DE60-60025A	PIN-FOOT; MC28H5013AK/BW,PP+TD30%	SA	4
9-3	2	M047	DE61-40065A	FOOT; MWO Conv,PP+TD30%,NATURAL,0103-0035	SA	4
9-4	2	M131	DE65-20005A	WIRE-SADDLE; 2N,PA66	SA	1
10	1	P214	DE94-03276H	ASSY BRACKET UPPER; MC35J8055,EGI-SECC	SNA	1
10-1	2		DE61-01580A	BRACKET DUCT; MC35J8055,EGI-SECC,T0.5	SNA	1
10-2	2	M039	2501-001016	C-OIL HIGH VOLTAGE; 950nF,2100V,BK,34x54x	SA	1
10-3	2		6502-001149	SADDLE; TIC-WSD21.5,W30.5,H33.3,T3.5,Nylo	SNA	1
10-4	2	M438	DE47-20005A	THERMOSTAT; AC125/250V,15/10A,130C,60C,No	SA	1
10-5	2	M527	DE59-00002A	DIODE-H.V; MWO,2CL4512H/CL04-12A,500mA,12	SA	1
10-6	2	M042	DE91-70061B	ASSY H.V.FUSE; THV060T,5KV,750,SCREW,RED,	SC	1
10-7	2	M040	DE61-00115A	BRACKET-HVC; SMH7175,EGI-SECC,T0.5	SA	1

No.	Lvl.	Loc.	Material Code	Description & Specification	SNA	Qty.
10-8	2	M003	DE61-01570A	BRACKET-UPPER; MW8000J,EGI-SECC,T1,W443.7	SNA	1
11	2	Y103	DE94-03263B	ASSY CAVITY COATING; MW8000J,35L,ENAMEL C	SNA	1
12	2		DG61-00699A	BRACKET-GASKET HEATER G; NQ50C7535DS,GI-S	SNA	1
13	1	B023	DE94-02200A	ASSY BODY LATCH-L; TRIO PLUS,NYLON#66 GF1	SA	1
13-1	2	B048	3405-001034	SWITCH-MICRO; 125/250VAC,16A,200gf,SPST-N	SA	1
13-2	2	B025	DE94-02201A	ASSY BODY LATCH SUB-L; TRIO PLUS,NYLON#66	SNA	1
13-2-1	3	B045	DE61-01226A	LATCH BODY-LEFT; TRIO PLUS,PA66,-,-,-,BLA	SNA	1
13-2-2	3	B013	DE66-00223A	LEVER SWITCH-LEFT; TRIO PLUS,PA66,NON-FLA	SA	1
14	1	T050	DG94-03705A	ASSY DAMPER; OMNI PRO & MW8000,ADD FELT	SA	1
14-1	2	B048	3405-001034	SWITCH-MICRO; 125/250VAC,16A,200gf,SPST-N	SA	1
14-2	2	M358	DE31-10098A	MOTOR AC DRIVE; M2LB24ZR92,8,220~240V,50/	SA	1
14-3	2	M075	DE66-00176A	CAM-MOTOR; 1.5CONV,POM,NATURAL,NATURAL,HB	SA	1
14-4	2	P263	DE66-00194A	DAMPER; AURORA,PA66,BLACK,GF15	SNA	1
14-5	2	P083	DE72-00040B	DAMPER-PIN; AURORA PROJECT,MSWR-SWRM,PI=2	SNA	1
14-6	2		DG94-03704A	ASSY GUIDE AIR DAMPER; OMNI PRO & MW8000,	SNA	1
15	2	T001	DE63-00806A	TRAY COOKING; MW8000J,GLASS,T6,W380,L380	SA	1
16	1	B022	DE94-02203A	ASSY BODY LATCH-R; TRIO PLUS,NYLON#66 GF1	SA	1
16-1	2	B046	3405-001032	SWITCH-MICRO; 125/250VAC,16A,200gf,SPDT,T	SA	1
16-2	2	B048	3405-001034	SWITCH-MICRO; 125/250VAC,16A,200gf,SPST-N	SA	1
16-3	2	B061	DE94-02202A	ASSY BODY LATCH SUB-R; TRIO PLUS,NYLON#66	SNA	1
16-3-1	3	B062	DE61-01227A	LATCH BODY-RIGHT; TRIO PLUS,PA66,-,-,-,BL	SA	1
16-3-2	3	B058	DE66-00224A	LEVER SWITCH; TRIO PLUS,PA66,NON-FLAMMABL	SA	2
17	1		DE94-03310B	ASSY PANEL OUTER; MC35J8055,EGI-SECC,BLAC	SNA	1
17-1	2	M001	DE64-02317R	PANEL OUTER; MC35J8055CK/EF,EGI-SECC,T0.6	SA	1

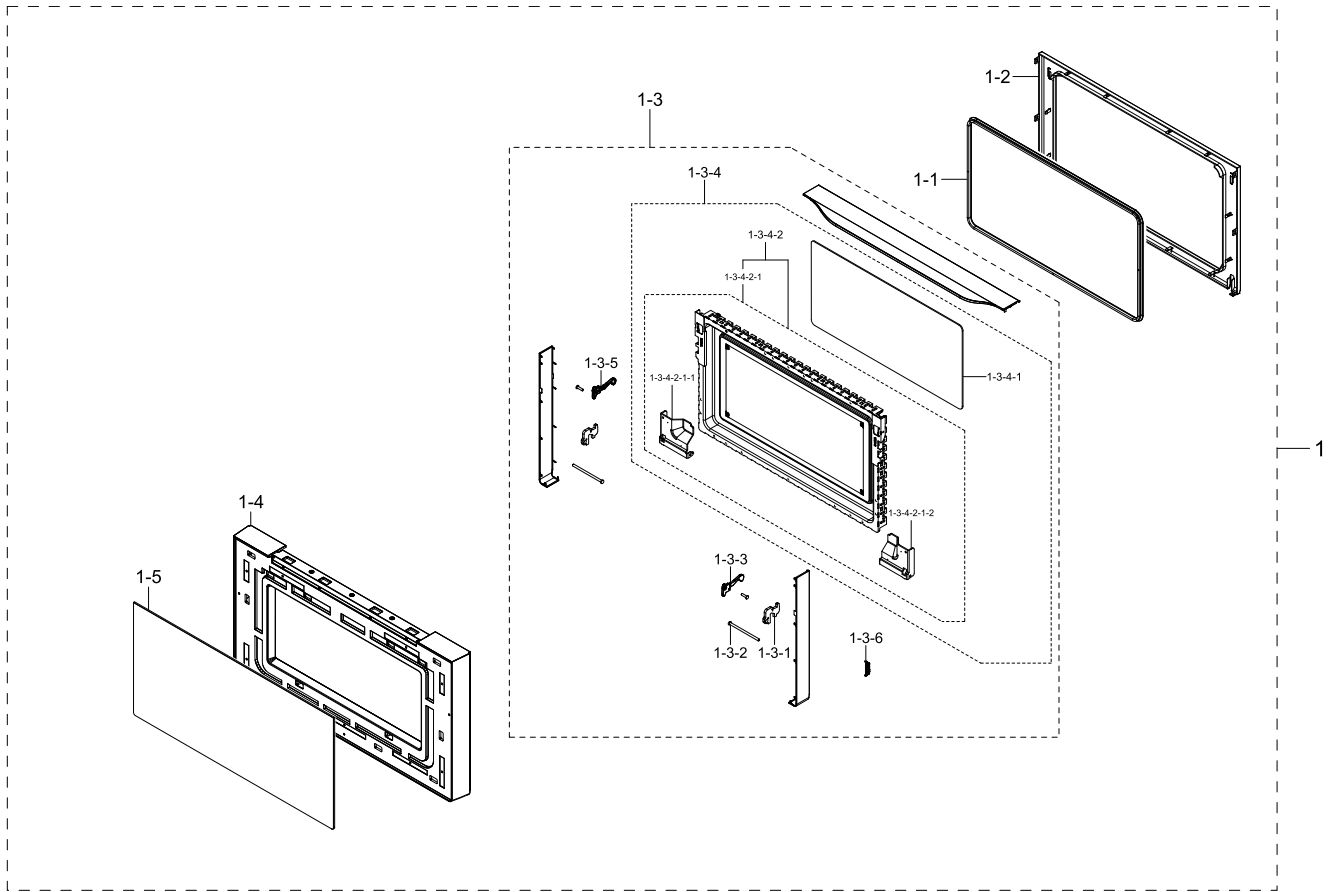
Exploded Views and Parts List

No.	Lvl.	Loc.	Material Code	Description & Specification	SNA	Qty.
18	2		DE60-10014B	SCREW-ASSY TAP; TH,+,WP,M4,L10,PASS,STS30	SNA	3
19	2		DE69-00612D	CUSHION SPONGE; 1.5 CONV,PUR FOAM,40,20,4	SNA	0.1
20	2	P277	DE94-01840A	ASSY BRACKET-VENT(B); HS-C364AB,-,-,AUROR	SA	1
21	1	M035	OM75P(20)ESGN	MGT,OM75P20ESGN; MGT,OM75P20ESGN		1
22	2	P059	DE63-00632A	COVER FRONT; ATAG BI MWO,PP+TD30%,W35.2,L	SA	1
23	2	M051	DE63-00623A	COVER-CEILING; ATAG BI MWO,MICA SHEET,T0.	SA	1
24	2	P186	DE63-00803A	COVER BACK; MW8000J,GA-SGCC,T0.6,-,IMPING	SA	1
25	2		DE67-00257C	DUCT-IN; MW8000J,EGI-SECC,T0.4,W59,L205.6	SA	1
26	2	M034	DE67-60081B	COUPLER; PPS+GF40%,XP-2140C,MW8000R,0103-	SA	1
27	2	M053	DG94-03696A	ASSY GUIDE AIR; MW8000,PA66,ADD FELT	SNA	1
28	2	P166	DE97-00736A	ASSY GUIDE AIR-MGT; AURORA PROJECT,-,1.3	SA	1
28-1	3	P274	DE61-01014A	GUIDE AIR MGT; AURORA PROJECT,EGI-SECC,T0	SNA	1
28-2	3	M447	DE47-20010A	THERMOSTAT; AC125/250V,15/10A,120C,60C,No	SA	1
29	2	M036	DE65-20029A	CORD CLAMP; CORD CLAMP,EGI-SECC,94x5x0.5m	SNA	2
30	2		DE62-00101A	ADIABATIC COVER; MW8000J,GLASS WOOL,T3,W4	SA	1
31	2	M394	DE63-00482A	CUSHION RUBBER; AURORA PROJECT,EVA,T11,AB	SNA	1
32	2	M036	4713-001046	LAMP; 25x62,BK,25,240,CLEAR,min100Lx	SA	1
33	2	M038	DE26-00149B	TRANS H.V; SHV-E10A-1,230V,2450V/3.30V,AL	SA	1
34	2	M495	DE31-10170B	MOTOR AC DRIVE; SM16FHK36P1AW3,8Pole,220V	SA	1
35	1	M015	DE96-00385A	POWER CORD-AT; H05VV-F 3x1.5mm2,GRY,EU3S,	SA	1
36	2		DE96-01056B	ASSY WIRE HARNESS-MAIN; MC35J8055CK/EF,23	SA	1
37	2	M013	DE61-50570C	BRACKET-AIR GUIDE; CK95,EGI-SECC,T0.8,W18	SNA	1

2. Assy Door

Assy Door

Exploded View



Parts List

No.	Lvl.	Loc.	Material Code	Description & Specification	SNA	Qty.
1	1	D049	DE94-04330C	ASSY DOOR-MODULE; MW8000R,PC,BLACK,B-CHAR	SA	1
1-1	2	M370	DE63-00646A	GASKET DOOR; MA4211BUU/A01,SI,50,ATAG BI	SA	1
1-2	2	D006	DE64-02851A	DOOR C; MW8000J,PBT+GF15%,T2,W511.8,L282.	SNA	1
1-3	2		DE94-02222F	ASSY DOOR E SUB; MC35R8088LC,GA-SGCD,BLAC	SNA	1
1-3-1	3	Z096	DE61-01250A	HINGE-DOOR; TRIO PLUS,CR-SPCC,T4,TURN TAB	SA	2
1-3-2	3		DE66-00253A	SHAFT HINGE; MC324GAKCBB,SUM24L,CELESTA C	SA	2
1-3-3	3	D198	DE64-02323A	KEY DOOR-RIGHT; TRIO PLUS,ZNDC,T4.9,Ni-Cr	SA	1
1-3-4	3	D004	DE94-02197C	ASSY DOOR E; MW8000J,SEALANT	SNA	1

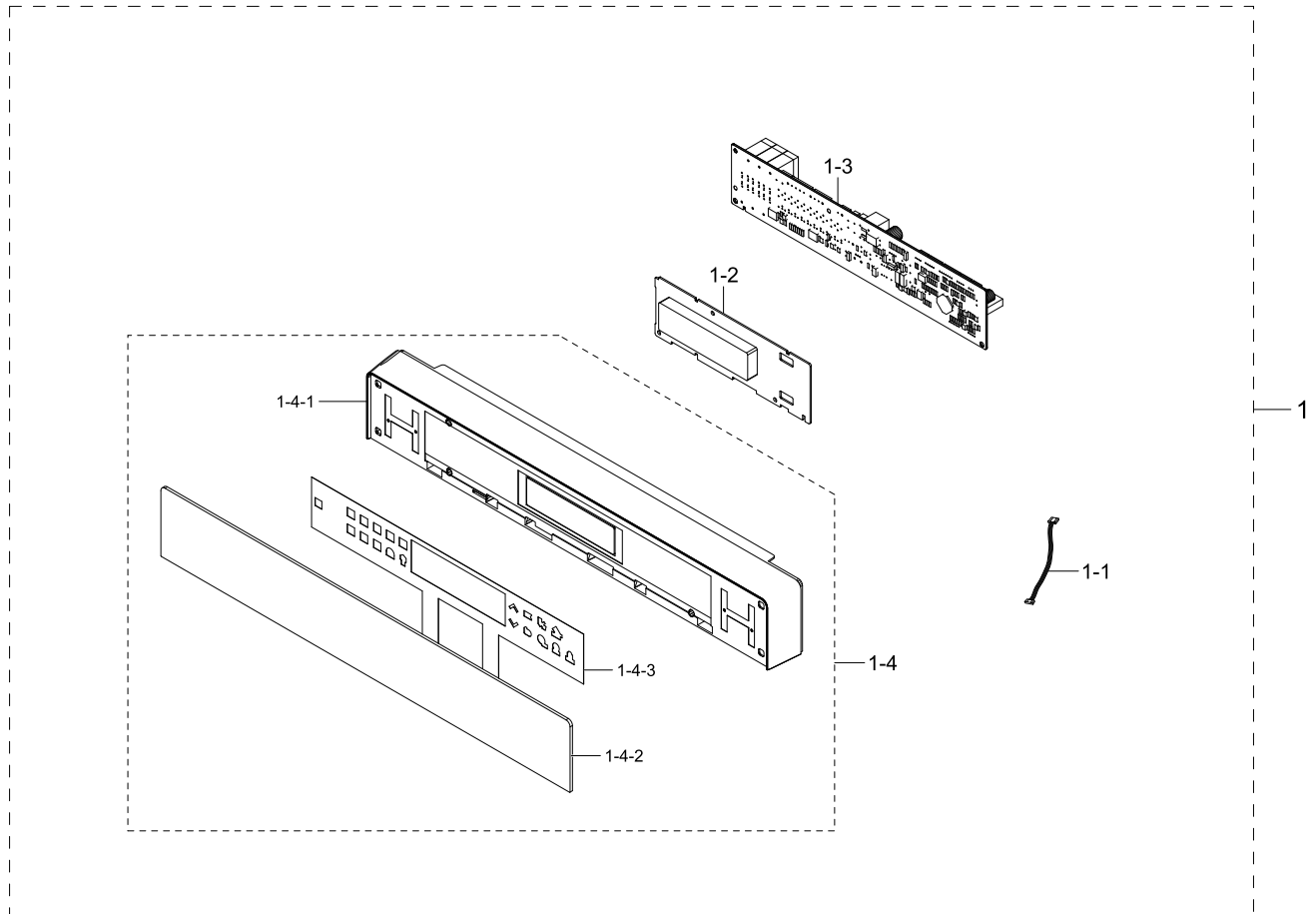
Exploded Views and Parts List

No.	Lvl.	Loc.	Material Code	Description & Specification	SNA	Qty.
1-3-4-1	4		DE64-01916C	SCREEN DOOR-A; MW8000J, GLASS, T3.2, W388.5,	SNA	1
1-3-4-2	4	D004	DE94-02196A	ASSY DOOR E-COATING; TRIO PLUS, SGCC1, BLAC	SNA	1
1-3-4-2-1	5	D201	DE94-02198A	ASSY DOOR E-WELDING; TRIO PLUS, SGCC1, HEAT	SNA	1
1-3-4-2-1-1	6	Q094	DE61-01222A	BRACKET DOOR HINGE-LEFT; TRIO PLUS, GI-SGC	SNA	1
1-3-4-2-1-2	6	Q112	DE61-01223A	BRACKET DOOR HINGE-RIGHT; TRIO PLUS, GI-SG	SNA	1
1-3-5	3	D014	DE64-02324A	KEY DOOR-LEFT; TRIO PLUS, ZN-DIECASTING, Zn	SA	1
1-3-6	3	D058	DE61-00151C	SPRING ETC-SPRING-KEY; MT1044WB/FQ159, SWP	SA	2
1-4	2	D037	DE94-04331C	ASSY DOOR A; MW8000R, PC, BLACK, B-CHARCOAL	SNA	1
1-5	2		DE64-02674B	SCREEN DOOR-C; MC35J8088LT, GLASS, T2, W406,	SNA	1

3. Assy Control Box

Assy Control Box

Exploded View



Parts List

No.	Lvl.	Loc.	Material Code	Description & Specification	SNA	Qty.
1	1	C082	DE94-04329J	ASSY CONTROL BOX-MODULE; MC35R8058CC/EF,2	SNA	1
1-1	2		DE96-01057A	ASSY WIRE HARNESS-SUB; MC35J8088LT/EU,230	SA	1
1-2	2		DE92-03739F	ASSY MODULE; ASSY DISPLAY,MW8000R,MW8000R	SA	1
1-3	2	F316	DE92-03729Y	ASSY PCB MAIN; MW8000J-MAIN-22,MW8000R,32	SA	1
1-4	2	C001	DE94-04328H	ASSY CONTROL PANEL; MC35R8058CC/EF,B-CHAR	SA	1
1-4-1	3		DE64-03054A	PANEL CONTROL; MW8000R,PC,T3,W520,L79.5,H	SNA	1

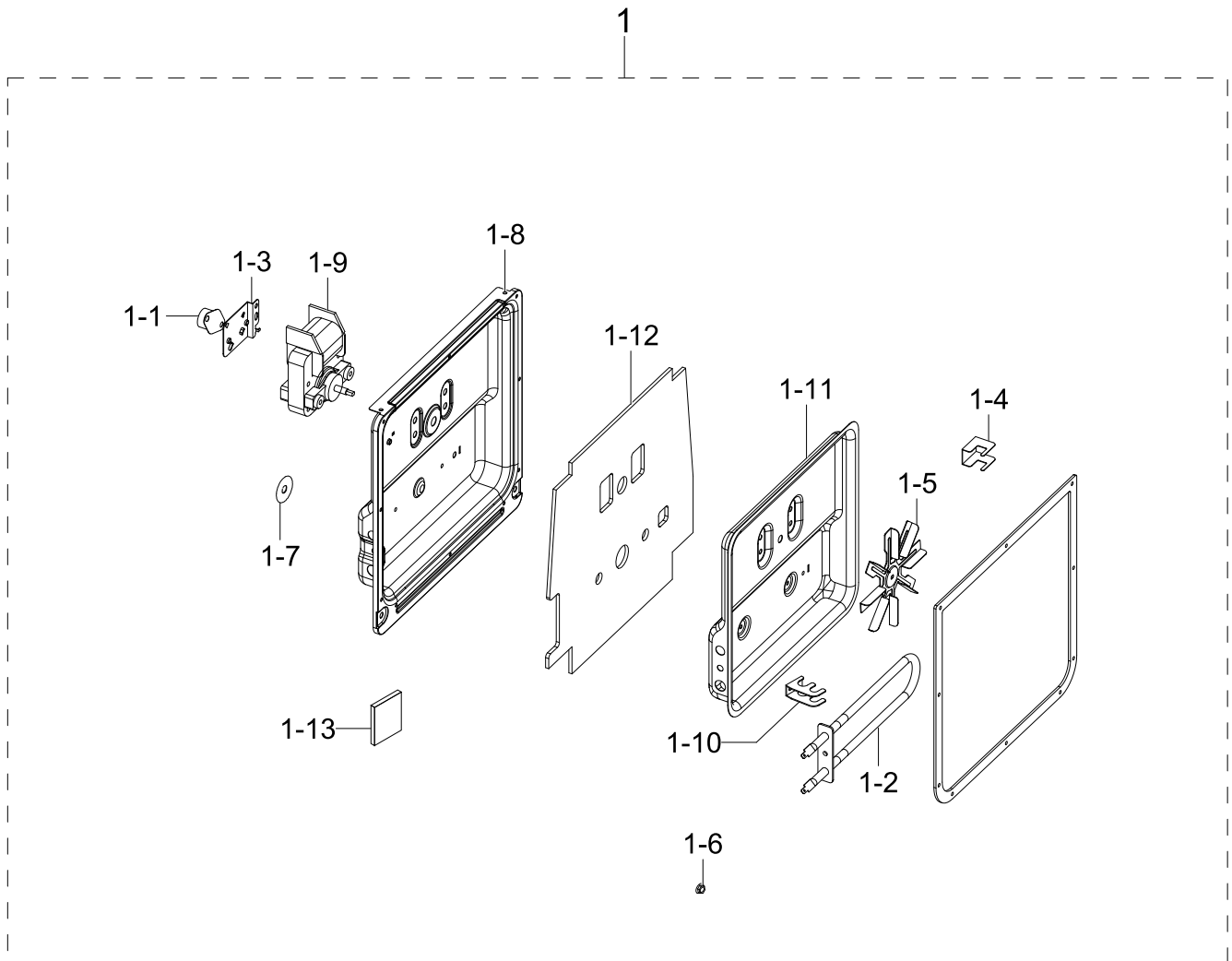
Exploded Views and Parts List

No.	Lvl.	Loc.	Material Code	Description & Specification	SNA	Qty.
1-4-2	3		DE64-03056J	GLASS PANEL; MC35R8058CC, GLASS, T3.2, W508.	SNA	1
1-4-3	3	C004	DE34-00442A	ASSY TOUCH; MC35J8088LT,-,-,342.17 x 54.3	SA	1

4. Assy Casing

Assy Casing

Exploded View



Parts List

No.	Lvl.	Loc.	Material Code	Description & Specification	SNA	Qty.
1	1	H067	DE94-03302B	ASSY CASING; MC35J8055CW,420W,CONVECTION	SA	1
1-1	2	M436	DE47-20009A	THERMOSTAT; AC125/250V,15/10A,150C,60C,No	SA	1
1-2	2	H003	DE47-00049A	HEATER SHEATH-CONVECTION; AC230V,BKT,420W	SA	1
1-3	2	H012	DE61-01371A	BRACKET-TCO; SMH9151B/XAA,EGI-SECC	SA	1
1-4	2	M446	DE61-01221A	SUPPORT HEATER; TRIO-PLUS,STS304,T0.5,-,T	SNA	1
1-5	2	M090	DE67-00226A	FAN CONVECTION; AURORA,ALSTAR,T0.6,W125,L	SA	1

Exploded Views and Parts List

No.	Lvl.	Loc.	Material Code	Description & Specification	SNA	Qty.
1-6	2	H010	6021-001149	NUT-HEXAGON FLANGE; M4,NI,SWRCH10A,LEFT T	SNA	1
1-7	2	H008	6031-001544	WASHER-PLAIN; SECC,ID4,OD16,T1,ZNC3,ID3	SNA	2
1-8	2		DE63-00804A	COVER CASING; MW8000J,EGI-SECC,T0.5,-,CON	SNA	1
1-9	2	H001	DE31-00062B	MOTOR AC CONVECTION; M-PRO,SMC-M159E_A,2,	SA	1
1-10	2	M096	DE61-00602A	HOLDER-HEATER; SMV9165,STS304,T0.8,W17,L2	SNA	1
1-11	2		DE61-01574A	BRACKET CASING-LOW; MW8000J,ALCOAT-SA1C,T	SNA	1
1-12	2		DE62-00102A	ADIABATIC CASING-SIDE; MW8000J,GLASS WOOL	SNA	1
1-13	2	X075	DE63-90035N	CUSHION RUBBER; M-PROJECT 1.5CU.FT.,ASPHA	SA	1