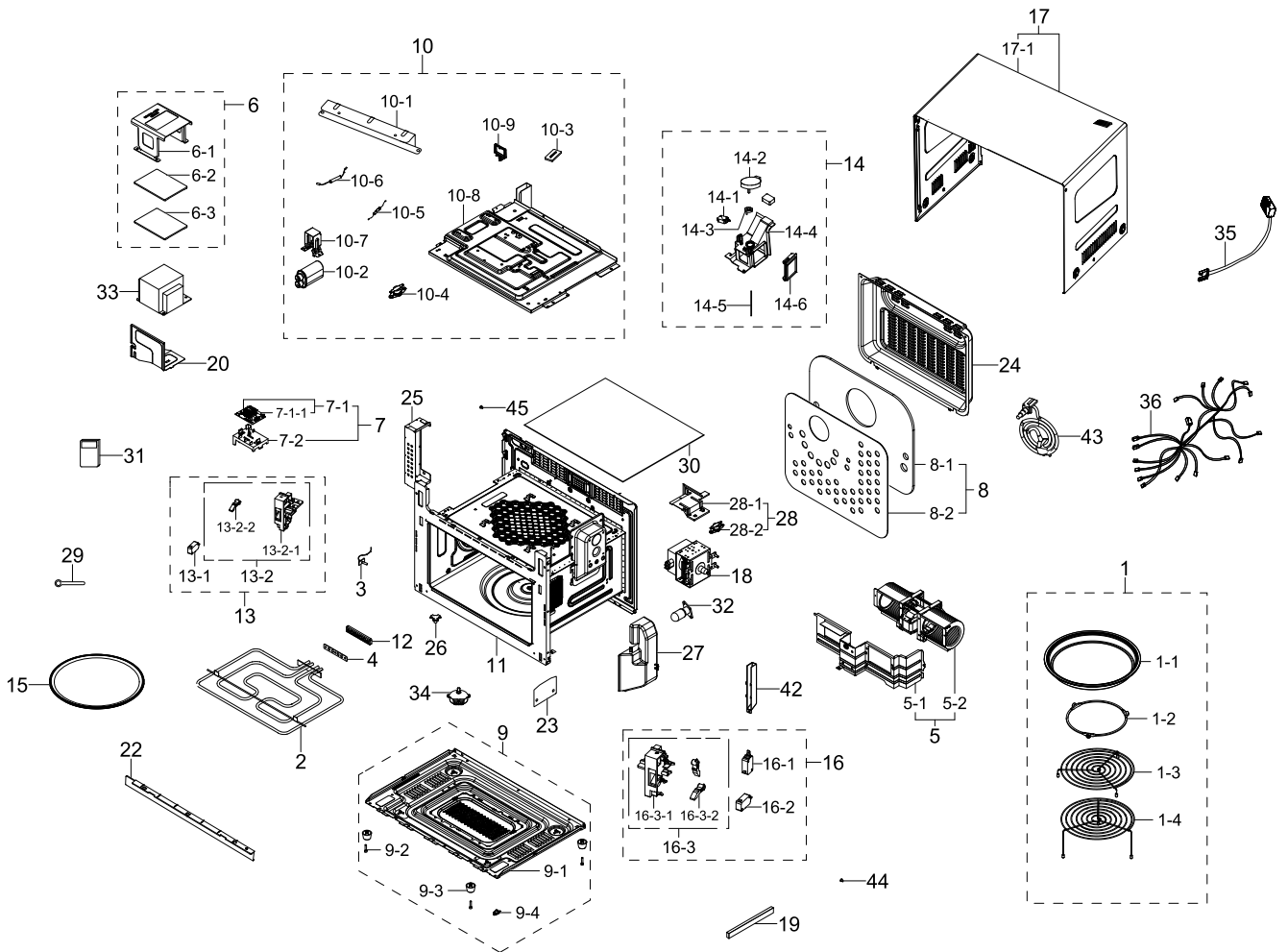


1. Main

Exploded View



Parts List

No.	Lvl.	Loc.	Material Code	Description & Specification	SNA	Qty.
1	1	T042	DE98-01454A	ASSY PACKING TRAY; MW8000J,PAD type	SNA	1
1-1	2		DE63-00809A	TRAY GRATE; MW8000J,AL,T1.2,W340,L340,TEF	SA	1
1-2	2	T159	DE97-00222A	ASSY GUIDE ROLLER; NC-1.2CUFT,SPS(C832),0	SC	1
1-3	2	T009	DE97-00136B	ASSY WIRE RACK; CK95,-,-,LOW-RACK	SA	1
1-4	2	T010	DE97-00136A	ASSY WIRE RACK; CK95,-,-,-	SA	1
2	2	H071	DE47-00061A	HEATER SHEATH-GRILL; AC230V,2150W(1200+95	SNA	1
3	2	M409	DE91-70083A	ASSY THERMISTOR; Aurora,PTM-K312-S5,-20	SA	1
4	2		DG63-00318A	GASKET-HEATER GRILL; BRASS,1.0,90.5,15,-	SA	1
5	1		DE90-00938F	ASSY MOTOR VENTILATION; MW8000J,230V,50HZ	SA	1

Exploded Views and Parts List

No.	Lvl.	Loc.	Material Code	Description & Specification	SNA	Qty.
5-1	2		DE94-03281A	ASSY BRACKET VENT; MW8000J,EGI-SECC	SA	1
5-2	2	M302	DE31-00051C	MOTOR AC FAN-BLOWER; SMB-E365B,2,230V,50H	SNA	1
6	2	P275	DE97-00737B	ASSY BRACKET-HVT; BI MWO,SECC,T1.6,BI MWO	SNA	1
6-1	3	P276	DE61-00978A	BRACKET-HVT; AURORA,EGI-SECC,T1.6,W303,L1	SNA	1
6-2	3	M393	DE63-00611A	CUSHION-RUBBER HVT(UPPER); TRIO-PLUS BI,E	SA	1
6-3	3	M393	DE63-00476A	CUSHION-RUBBER HVT(LOWER); TRIO-PLUS BI,E	SA	1
7	1		DE94-01660C	ASSY HOLDER NOISE FILTER; CP1370,TRIO PLU	SNA	1
7-1	2	M017	DE96-00399F	ASSY NOISE FILTER; SN-UF11F,250V/15A,250V	SA	1
7-1-1	3	M019	3601-001197	FUSE-CARTRIDGE; 250V,15A,SLOW-BLOW,CERAMI	SA	1
7-2	2	M264	DE61-01003A	HOLDER NOISE FILTER; AURORA,PP,BLACK,HB,T	SNA	1
8	1	M215	DE94-02020A	ASSY-ADIABATIC; CE3780/HAC,MICA Sheet,-	SNA	1
8-1	2	H090	DE62-00081A	ADIABATIC-SHEET; CE3780/HAC,MICA SHEET,T0	SNA	1
8-2	2	X083	DE61-01160A	BRACKET-ADIABATIC; CE3780/HAC,AL,T0.5,W10	SNA	1
9	1	M155	DE94-02199A	ASSY BASE PLATE; TRIO PLUS,SGCC,T0.6	SA	1
9-1	2	M048	DE61-01220A	BASE PLATE; TRIO PLUS,GI-SGCC,T0.6,-,-,TU	SNA	1
9-2	2	M046	DE60-60025A	PIN-FOOT; MC28H5013AK/BW,PP,NATURAL	SA	4
9-3	2	M047	DE61-40065A	FOOT; -,PPT2x22x17mm,BLK,-,-,-	SA	4
9-4	2	M131	DE65-20005A	WIRE-SADDLE; 2N,PA66	SA	1
10	1	P214	DE94-03276B	ASSY BRACKET UPPER; MC35J8055,EGI-SECC,CO	SNA	1
10-1	2		DE61-01580A	BRACKET DUCT; MC35J8055,EGI-SECC,T0.5	SNA	1
10-2	2	M039	2501-001016	C-OIL HIGH VOLTAGE; 950nF,2100V,BK,35x54x	SA	1
10-3	2		DG63-00215A	CUSHION-HEAT SINK; CTN263EA01, CTN264EA01	SA	1
10-4	2	M438	DE47-20005A	THERMOSTAT; 125/250V,15/7.5A,130,60,NORMA	SA	1
10-5	2	M527	DE59-00002A	DIODE-H.V; MWO,2CL4512H/CL04-12A,500mA,12	SA	1
10-6	2	M042	DE91-70061B	ASSY H.V.FUSE; THV060T,5KV,750mA,SCREW,RE	SC	1
10-7	2	M040	DE61-00115A	BRACKET-HVC; SMH7175,EGI-SECC,T0.5	SNA	1
10-8	2	M003	DE61-01570A	BRACKET-UPPER; MW8000J,EGI-SECC,T1.0,W443	SNA	1
10-9	2		6502-001149	SADDLE; TIC-WSD21.5,W30.5,H33.3,T3.5,Nylo	SNA	1

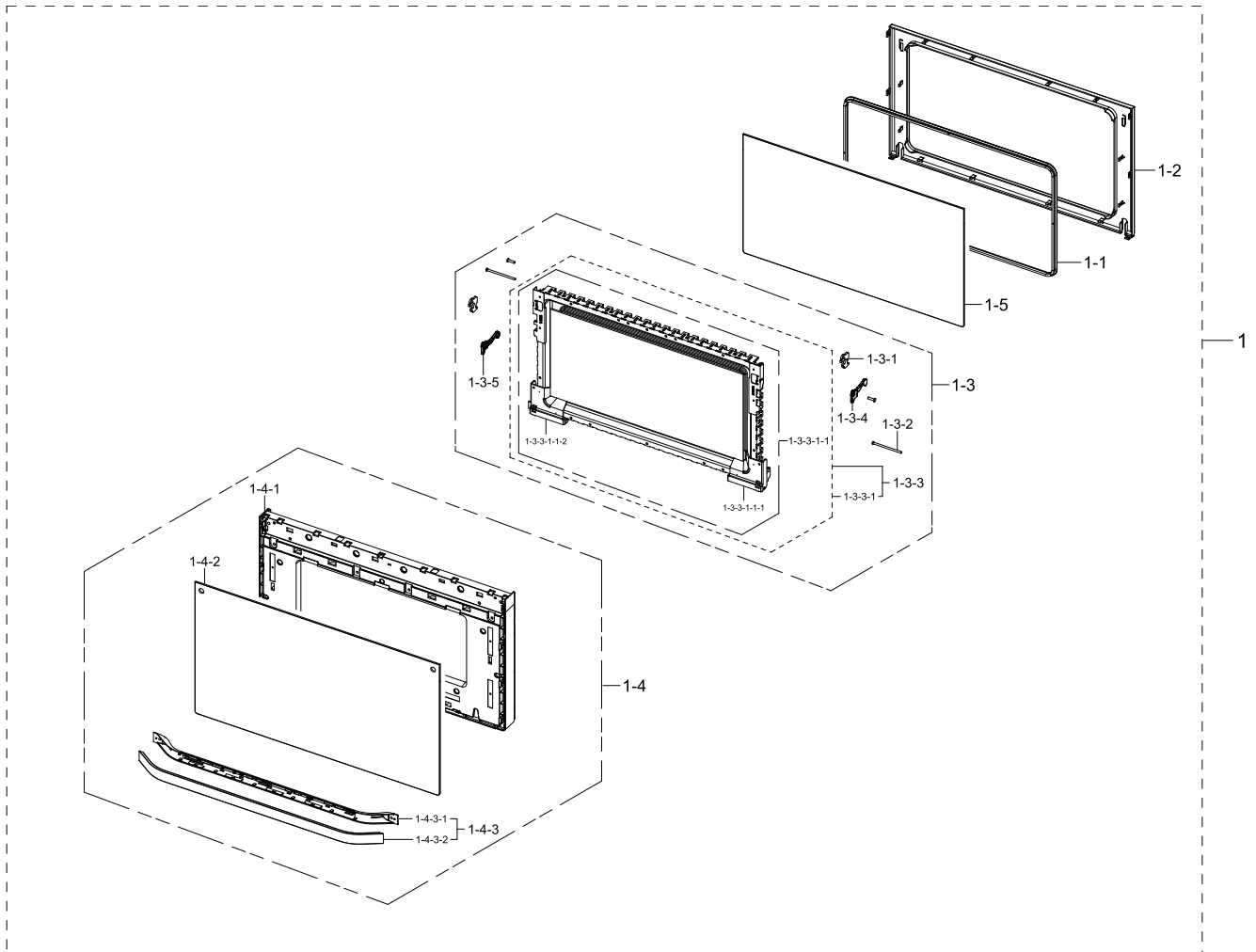
No.	Lvl.	Loc.	Material Code	Description & Specification	SNA	Qty.
11	2	Y103	DE94-03263B	ASSY CAVITY COATING; MW8000J,35L,ENAMEL C	SNA	1
12	2		DG61-00699A	BRACKET-GASKET HEATER G; NQ50C7535DS,GI-S	SNA	1
13	1	B023	DE94-02200A	ASSY BODY LATCH-L; TRIO PLUS,NYLON#66 GF1	SNA	1
13-1	2	B048	3405-001034	SWITCH-MICRO; 125/250VAC,16A,200gf,SPST-N	SNA	1
13-2	2	B025	DE94-02201A	ASSY BODY LATCH SUB-L; TRIO PLUS,NYLON#66	SA	1
13-2-1	3	B045	DE61-01226A	LATCH BODY-LEFT; TRIO PLUS,PA66,BLACK	SNA	1
13-2-2	3	B013	DE66-00223A	LEVER SWITCH-LEFT; TRIO PLUS,PA66,NON-FLA	SA	1
14	1	T050	DE97-00715A	ASSY DAMPER; AURORA PROJECT,-,BLACK	SA	1
14-1	2	B048	3405-001034	SWITCH-MICRO; 125/250VAC,16A,200gf,SPST-N	SNA	1
14-2	2	M358	DE31-10098A	MOTOR AC DRIVE; M2LB24ZR92,8,220~240V,50/	SA	1
14-3	2	M075	DE66-00176A	CAM-MOTOR; 1.5CONV,POM,NATURAL,HB,K300,1.	SA	1
14-4	2	P263	DE66-00194A	DAMPER; AURORA,PA66,BLACK,GF15	SNA	1
14-5	2	P083	DE72-00040B	DAMPER-PIN; AURORA PROJECT,MSWR-SWRM,PI=2	SNA	1
14-6	2	T079	DE61-00999A	GUIDE DAMPER; AURORA,PA66,T2.0,HB,KN333G1	SNA	1
15	2	T001	DE63-00806A	TRAY COOKING; MW8000J,GLASS,T6.0,W380,L38	SA	1
16	1	B022	DE94-02203A	ASSY BODY LATCH-R; TRIO PLUS,NYLON#66 GF1	SNA	1
16-1	2	B046	3405-001032	SWITCH-MICRO; 125/250VAC,16A,200gf,SPDT,T	SNA	1
16-2	2	B048	3405-001034	SWITCH-MICRO; 125/250VAC,16A,200gf,SPST-N	SNA	1
16-3	2	B061	DE94-02202A	ASSY BODY LATCH SUB-R; TRIO PLUS,NYLON#66	SNA	1
16-3-1	3	B062	DE61-01227A	LATCH BODY-RIGHT; TRIO PLUS,PA66,BLACK	SA	1
16-3-2	3	B058	DE66-00224A	LEVER SWITCH; TRIO PLUS,PA66,NON-FLAMMABL	SA	2
17	1		DE94-03310B	ASSY PANEL OUTER; MC35J8055,EGI-SECC,BLAC	SNA	1
17-1	2	M001	DE64-02317N	PANEL OUTER; MW8000J,EGI-SECC,T0.6,-,-,ED	SA	1
18	1	M035	OM75P(20)ESGN	ASSY-MGT; ASSY-MGT		1
19	2		DE69-00612D	CUSHION-SPONGE(D); 1.5 CONV,PUR FOAM,40,2	SNA	1

Exploded Views and Parts List

No.	Lvl.	Loc.	Material Code	Description & Specification	SNA	Qty.
20	2	P277	DE94-01840A	ASSY BRACKET-VENT(B); HS-C364AB,-,-,AUROR	SNA	1
22	2	P059	DE63-00632A	COVER FRONT; ATAG BI MWO,PP,-,-,TB53,1.3C	SA	1
23	2	M051	DE63-00623A	COVER-CEILING; ATAG BI MWO,MICA SHEET,T0.	SA	1
24	2	P186	DE63-00803A	COVER BACK; MW8000J,GA-SGCC,T0.6,-,IMPING	SA	1
25	2		DE67-00257C	DUCT-IN; MW8000J,EGI-SECC,T0.5,W59,L205.6	SA	1
26	2	M034	DE67-60081A	COUPLER; 3RD-1.0/1.3,PPS,-,-,BROWN,-	SA	1
27	2	M053	DE94-03273A	ASSY GUIDE AIR; MW8000J,PBT,KP213G15.BLK	SA	1
28	2	P166	DE97-00736A	ASSY GUIDE AIR-MGT; AURORA PROJECT,-,1.3	SA	1
28-1	3	P274	DE61-01014A	GUIDE AIR MGT; AURORA PROJECT,EGI-SECC,T0	SNA	1
28-2	3	M447	DE47-20010A	THERMOSTAT; 125/250V,15/7.5A,120,60,NORMA	SA	1
29	2	M036	DE65-20029A	CORD CLAMP; GA-SGCC,L94XT0.5,GALVA,BLK,-,	SNA	3
30	2		DE62-00101A	ADIABATIC COVER; MW8000J,GLASS WOOL,T3,W4	SNA	1
31	2	M394	DE63-00482A	CUSHION-RUBBER(DAMPER); AURORA PROJECT,EV	SNA	1
32	2	M036	4713-001046	LAMP; 25x62,BK,25,240,CLEAR,min100Lx	SA	1
33	2	M038	DE26-00149B	TRANS H.V; SHV-E10A-1,230V,2450V/3.30V,AL	SA	1
34	2	M495	DE31-10170B	MOTOR AC DRIVE; SM16FHK36P1AW3,8,220~240V	SA	1
35	2	W070	DE96-00820A	ASSY WIRE HARNESS-B; Omni PrO,230VAC,230V	SA	1
36	2		DE96-01056B	ASSY WIRE HARNESS-MAIN; MC35J8055CK/EF,23	SA	1
42	2	M013	DE61-50570C	BRACKET-AIR GUIDE; CK95,EGI-SECC,T0.8,DEE	SNA	1
43	1	M015	DE96-00385A	ASSY POWER CORD; VDE,Straight,E.U,250V/16	SA	1
44	2		DE60-10014B	SCREW-ASSY TAP; TH,3,FIBER WASHER,M4,L10,	SA	1
45	2		DE60-10014B	SCREW-ASSY TAP; TH,3,FIBER WASHER,M4,L10,	SA	1

1.1. Assy Door

Exploded View



Parts List

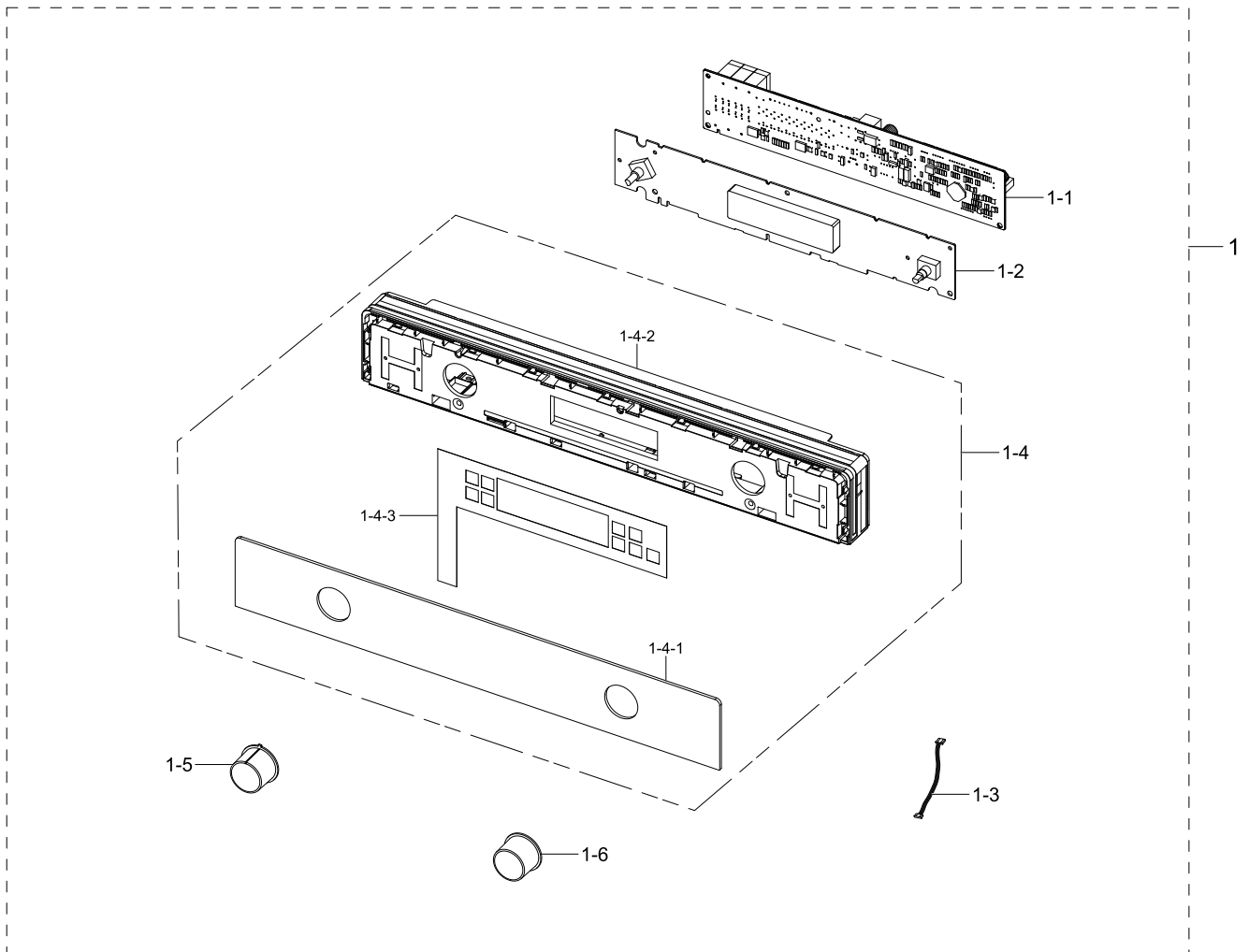
No.	Lvl.	Loc.	Material Code	Description & Specification	SNA	Qty.
1	1	D049	DE94-03301F	ASSY DOOR; MC35J8055,BLACK,MW8000J_CONVEC	SA	1
1-1	2	M370	DE63-00646A	GASKET-DOOR; MA4211BUU/A01,SI,50,ATAG BI	SA	1
1-2	2	D006	DE64-02851A	DOOR-C; MW8000J,PBT,T2.0,W511.8,L282.9,HB	SNA	1
1-3	2		DE94-02222D	ASSY DOOR E SUB; MC35J8055,BLACK,CONVECTI	SNA	1
1-3-1	3	Z096	DE61-01250A	HINGE-DOOR; TRIO PLUS,CR-SPCC,T4.0,-,TURN	SA	2
1-3-2	3		DE66-00253A	SHAFT HINGE; MC324GAKCBB,SUM24L,CELESTA C	SA	2
1-3-3	3	D004	DE94-02197C	ASSY DOOR E; MW8000J,SEALANT	SNA	1
1-3-3-1	4	D004	DE94-02196A	ASSY DOOR E-COATING; TRIO PLUS,SGCC1,BLAC	SNA	1

Exploded Views and Parts List

No.	Lvl.	Loc.	Material Code	Description & Specification	SNA	Qty.
1-3-3-1	15	D201	DE94-02198A	ASSY DOOR E-WELDING; TRIO PLUS,SGCC1,HEAT	SNA	1
1-3-3-1	161	Q112	DE61-01223A	BRACKET DOOR HINGE-RIGHT; TRIO PLUS,GI-SG	SNA	1
1-3-3-1	162	Q094	DE61-01222A	BRACKET DOOR HINGE-LEFT; TRIO PLUS,GI-SGC	SNA	1
1-3-4	3	D198	DE64-02323A	KEY-DOOR (R); TRIO PLUS,ZN-DIECASTING,Ni-	SNA	1
1-3-5	3	D014	DE64-02324A	KEY-DOOR (L); TRIO PLUS,ZN-DIECASTING,Zn	SNA	1
1-4	2	D037	DE94-03300B	ASSY DOOR A; MC35J8055,COLOR,MW8000J_CONV	SA	1
1-4-1	3	D002	DE64-02833A	DOOR-A; MW8000J,PC,T0.6,W494.9,L287.2,HB,	SNA	1
1-4-2	3		DE64-02854A	SCREEN DOOR-B; MW8000J,GLASS,T3.2,W508,L2	SNA	1
1-4-3	3	D020	DE94-03409A	ASSY HANDLE; MC35J8055,CONVECTION, GE BLA	SNA	1
1-4-3-1	4	D019	DE64-02855A	HANDLE DOOR; MW8000J,PC,T3.0,W507.5,L52,H	SNA	1
1-4-3-2	4	G456	DE64-02896A	HANDLE; MC35J8055,AL,21.2,507.5,CONVECTIO	SNA	1
1-5	2		DE64-02674B	SCREEN DOOR-C; MC35J8088LT,GLASS,T2.0,W40	SNA	1

1.2. Assy Control

Exploded View



Parts List

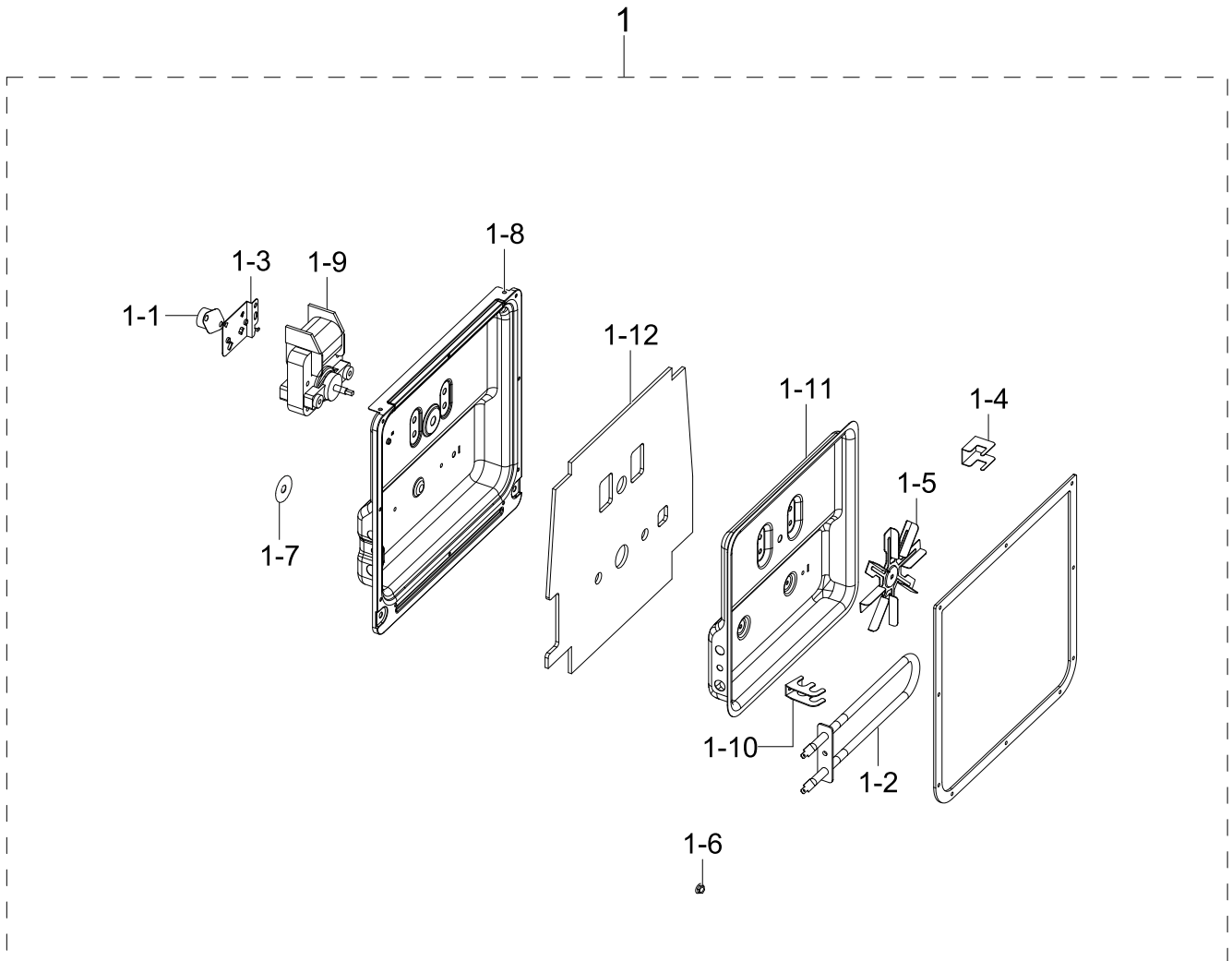
No.	Lvl.	Loc.	Material Code	Description & Specification	SNA	Qty.
1	1	C082	DE94-03296B	ASSY CONTROL BOX; MC35J8055,230V/50Hz,BLA	SNA	1
1-1	2	F316	DE92-03729G	ASSY PCB MAIN; MW8000J-MAIN-06,MW8000J PJ	SA	1
1-2	2		DE92-03745A	ASSY MODULE; ASSY DISPLAY,MW8000J,MW8000J	SA	1
1-3	2		DE96-01057A	ASSY WIRE HARNESS-SUB; MC35J8088LT/EU,230	SA	1
1-4	2	C001	DE94-03297B	ASSY CONTROL PANEL; MC35J8055CK,BLACK,PC,	SA	1
1-4-1	3		DE63-00818A	COVER PANEL; MC35J8055CK,ACRYL,T3.0,-,CON	SNA	1
1-4-2	3	C005	DE64-02836A	CONTROL PANEL; MW8000J,PC,W495,L79.2,290,	SNA	1

Exploded Views and Parts List

No.	Lvl.	Loc.	Material Code	Description & Specification	SNA	Qty.
1-4-3	3	C004	DE34-00443A	SWITCH MEMBRANE; MC35J8055KT/EF,PET,230V	SNA	1
1-5	2		DE64-02849B	KNOB SELECT; MC35J8055,ABS,HB,GE BLACK,CO	SNA	1
1-6	2	C025	DE64-02850B	KNOB; MC35J8055,ABS,HB,GE BLACK,CONVECTIO	SNA	1

1.3. Assy Casing

Exploded View



Parts List

No.	Lvl.	Loc.	Material Code	Description & Specification	SNA	Qty.
1	1	H067	DE94-03302B	ASSY CASING; MC35J8055CT,420W,CONVECTION,	SA	1
1-1	2	M436	DE47-20009A	THERMOSTAT; 125/250V,15/7.5A,150,60,NORMA	SA	1
1-2	2	H003	DE47-00049A	HEATER SHEATH-CONVECTION; AC230V,BKT,420W	SA	1
1-3	2	H012	DE61-01371A	BRACKET-TCO; SMH9151B/XAA,EGI-SECC	SA	1
1-4	2	M446	DE61-01221A	SUPPORT HEATER; TRIO-PLUS,STS304,T0.5,-,T	SA	1
1-5	2	M090	DE67-00226A	FAN CONVECTION; AURORA,ALSTAR,T0.6,W125,L	SA	1
1-6	2	H010	6021-001149	NUT-HEXAGON FLANGE; M4,NI,SWRCH10A,LEFT T	SNA	1

Exploded Views and Parts List

No.	Lvl.	Loc.	Material Code	Description & Specification	SNA	Qty.
1-7	2	H008	6031-001544	WASHER-PLAIN; SECC,ID4,OD16,T1,ZNC3,ID3	SNA	2
1-8	2		DE63-00804A	COVER CASING; MW8000J,EGI-SECC,T0.5,-,CON	SNA	1
1-9	2	H001	DE31-00062B	MOTOR AC CONVECTION; M-PRO,SMC-M159E_A,2,	SNA	1
1-10	2	M096	DE61-00602A	HOLDER-HEATER; SMV9165,STS304,T0.8,W17,L2	SNA	1
1-11	2		DE61-01574A	BRACKET CASING-LOW; MW8000J,ALCOAT-SA1C,T	SNA	1
1-12	2		DE62-00102A	ADIABATIC CASING-SIDE; MW8000J,GLASS WOOL	SNA	1