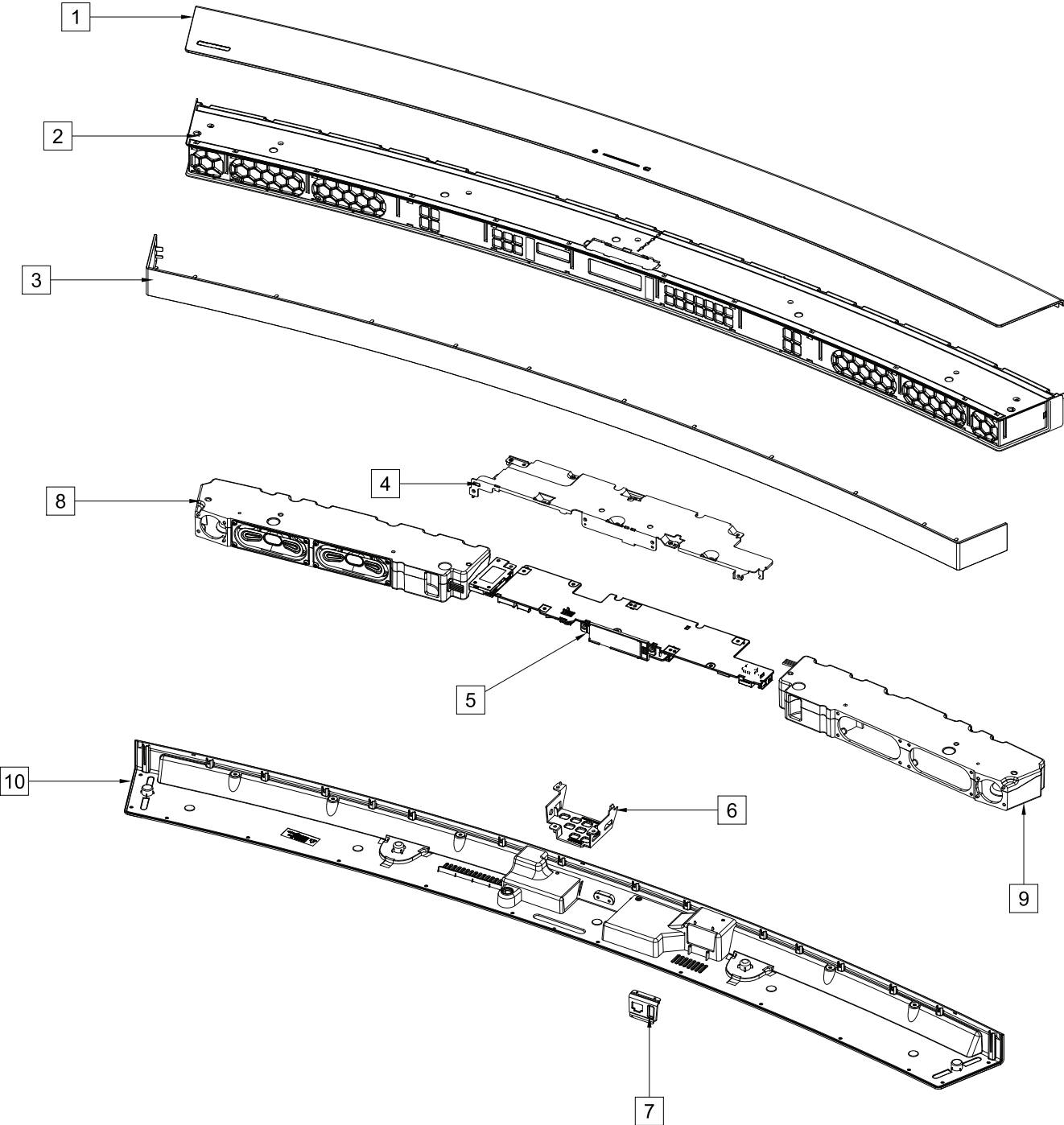


# 1. HW-J6000R/ZF (ZZ01)

## Exploded View



## Parts List

No.	Lvl.	Loc.	Material Code	Description & Specification	SNA	Qty.
1	4	FD02	AH64-05875A	COVER-DECORATION TOP; HW-J6000,PC+ABS+GF1	SNA	1
2	3	T001A	AH96-03463D	ASSY COVER P-TOP; HW-J6500R,W/W,ASSY	SA	1
3	4		AH64-06005A	GRILLE-METAL; HW-J6500R,CR-SPCC,0.6,BLACK	SNA	1
4	3	CB07	AH63-04002A	BRACKET-PCB; HW-J6000,EGI-SECC,T0.5,NATUR	SNA	1
5	5		AH41-01772B	PCB-MAIN; HW-J6000,FR-4,4L,1.6T,300x68mm,	SNA	1
6	3	FC05	AH63-03911A	COVER-TERMINAL; HW-J6000,PC+ABS,V-0,K2144	SNA	1
7	3	FD12	AH63-03929A	COVER-USB; HW-J6000,PC+ABS,V-0,K21441,NH-	SA	1
8	3	SPKFL	AH82-01054A	A/S ASSY-SPEAKER; 4ohm,HW-J6000,LEFT SPK	SA	1
9	3	SPKFR	AH82-01055A	A/S ASSY-SPEAKER; 4ohm,HW-J6000,RIGHT SPK	SA	1
10	2	B001A	AH96-03387A	ASSY COVER P-BOTTOM; HW-J6000,W/W,PC+ABS-	SA	1

## 2. Electrical Parts List

Level	Loc.	Part Code	Description & Specification	Qty.	SA/SNA
			<b>HW-J6000R/ZF (ZZ01)</b>		
1		AH90-01289A	ASSY COVER BOTTOM;HW-J6000	1	SNA
..2	B001A	AH96-03387A	ASSY COVER P-BOTTOM;HW-J6000,W/W,PC+ABS-	1	SA
..3		AH60-00077C	SPACER-EVA;EVA,L15,BLACK,T15,W6	1	SNA
..3	AH506	AH61-03406C	HOLDER-INSERT;HW-J250,SUM24L,L8,D8,black	2	SNA
..3	RB01	AH63-03908A	COVER-BOTTOM;HW-J6000,PC+ABS+GF15%,V-1,K	1	SNA
..3	FD12	AH63-03929A	COVER-USB;HW-J6000,PC+ABS,V-0,K21441,NH-	1	SA
..3		AH63-04081A	SHEET-PC;HW-J6500,PC,T0.5,W21.4,L7.5,BLA	1	SNA
..3		AH63-04165A	SHEET-EVA;HW-J6000,PUR FOAM,T0.2,W30,L6,	1	SNA
..3		AH63-04167A	SHEET-EVA;HW-J6000,EVA,T3,W12,L20,BLACK	1	SNA
..3		AH63-04209A	SHEET-PU FOAM;PUR FOAM,T0.5,W30,L30,BLAC	1	SNA
..3	RF01	AH67-00772A	FOOT-RUBBER;HW-J8500,SI,20*3.8,BLACK,T3	4	SA
..3	RF01	AH67-00779A	FOOT-RUBBER;HW-J6500,SILICONE,BLACK	1	SA
1		AH90-01398A	ASSY COVER TOP;HW-J6000/RZC	1	SNA
..2	TKIT	AH96-03951A	ASSY KIT;HW-J6000/RZC	1	SNA
..3	T001A	AH96-03463D	ASSY COVER P-TOP;HW-J6500R,W/W,ASSY	1	SA
...4	SCREW	6003-001070	SCREW-TAPTYPE;BH,+,B,M2,L4,ZPC(BLK),SWRC	4	SNA
...4		AH02-00082A	TAPE DOUBLE FACE;HW-H7500,ACRYL,T0.25,W4	1	SNA
...4		AH02-00089A	TAPE DOUBLE FACE;HW-J8500,4M,ACRYL,T0.25	1	SNA
...4		AH02-00091A	TAPE DOUBLE FACE;HW-J6000,ACRYL,T0.25,W4	4	SNA
...4		AH02-00092A	TAPE DOUBLE FACE;HW-J6000,ACRYL,T0.25,W4	2	SNA
...4		AH02-00093A	TAPE DOUBLE FACE;HW-J6000,ACRYL,T0.15,W1	1	SNA
...4		AH02-00098A	TAPE DOUBLE FACE;HW-J6000,ACRYL,T0.25,W3	1	SNA
...4	T001	AH63-03907A	COVER-TOP;HW-J6000,PC+ABS+GF15%,V-1,K212	1	SNA
...4		AH63-03909A	HOLDER-BUTTON;PS-WJ8500,ABS,BLACK,HB	1	SNA
...4		AH63-03910A	HOLDER-BUTTON;PS-WJ8500,ABS,BLACK,HB	1	SNA
...4		AH63-04059A	SHEET-PROTECTION TOP;HW-J6000,PET,T0.04,	1	SNA
...4		AH63-04060A	SHEET-FELT;HW-J6000,FELT,T0.2,W160,L32,B	1	SNA
...4		AH63-04061A	SHEET-PU FOAM;HW-J6000,PUR FOAM,T1.5,W46	1	SNA
...4		AH63-04062A	SHEET-PE FOAM;HW-J6000,PUR FOAM,T1.5,W33	1	SNA
...4		AH63-04166A	SHEET-EVA;HW-J6000,PUR FOAM,T0.2,W5,L240	4	SNA
...4		AH63-04208A	SHEET-EVA;EVA,T0.5,W15,L35,BLACK	2	SNA
...4		AH64-05752A	BADGE-SUS;HW-F751,ALCOAT-SA1C,T0.2,W35,B	1	SNA
...4	FD02	AH64-05875A	COVER-DECORATION TOP;HW-J6000,PC+ABS+GF1	1	SNA
...4		AH64-05878A	BUTTON;HW-J6000,ABS,HB,BLACK,Hot Stampin	1	SNA
...4		AH64-06005A	GRILLE-METAL;HW-J6500R,CR-SPCC,0.6,BLACK	1	SNA
...4		AH67-00769A	CUSHION RUBBER-BUTTON;HW-J8500,60mm	1	SNA
..3	MA02A	AH96-03480A	ASSY BOARD P-FUNCTION DOME;HW-J6000,SK5C	1	SA

Exploded Views and Parts List

Level	Loc.	Part Code	Description & Specification	Qty.	SA/SNA
.2	PKIT	AH96-03951B	ASSY KIT;HW-J6000/RZC	1	SNA
...3	SCREW	6003-001375	SCREW-TAPTYPE;BH,+,-,B,M3,L8,ZPC(WHT),SW	9	SA
...3		AH07-00288G	OLED PM;VGM128032A9W09,WHT,72.8x62.2x3.3	1	SA
...3	EC18	AH39-01276A	LEAD CONNECTOR-ETC;HW-H7500,UL21016,8P,1	1	SA
...3		AH59-02737A	NETWORK-WIRELESS AUDIO;WISP-40A,26X60X4.	1	SA
...3		AH61-03885A	HOLDER-DISPLAY;HW-H7500,ABS,BLACK(K21294	1	SA
...3		AH62-00307A	PAD GAP-THERMAL;J6000,SI,T3,L67.5,H18	1	SNA
...3		AH63-03309B	SHEET-EVA;HW-F450,EVA,T0.5,W10,L20,BLACK	1	SNA
...3	FC05	AH63-03911A	COVER-TERMINAL;HW-J6000,PC+ABS,V-0,K2144	1	SNA
...3	CB07	AH63-04002A	BRACKET-PCB;HW-J6000,EGI-SECC,T0.5,NATUR	1	SNA
...3	MH01A	AH94-03545A	ASSY PCB HDMI;HW-J6000,Soundbar,4	1	SA
...4		AH97-14066A	ASSY SMD;Soundbar,4,AH94-03545A	1	SNA
....5	DS01A	0401-001099	DIODE-SWITCHING;1N4148WS,75V,150mA,SOD-3	3	SA
....5		0404-001006	DIODE-SCHOTTKY;RB751V,40V,30mA,SOD-323,T	2	SA
....5		0404-001084	DIODE-SCHOTTKY;BAT54A,30V,200mA,SOT-23,T	1	SA
....5		0406-001203	DIODE-TVS;uClamp3301H,3.5V,3.9V,4.6V,0.5	1	SA
....5		0406-001628	DIODE-TVS;AOZ8804ADI,6V,1MAV,5A,TP	4	SA
....5		0501-000279	TR-SMALL SIGNAL;KSA1182-Y,PNP,150mW,SOT-	1	SA
....5		0505-001377	FET-SILICON;BSN20,N,50V,0.1A,15ohm,0.83W	1	SA
....5		1203-006067	IC-POWER SUPERVISOR;TPS2553DBVR,SOT-23,6	1	SNA
....5		1405-001253	VARISTOR;12Vdc,1.6x0.8mm,TP,100V,0.2pF	21	SA
....5		2007-000108	R-CHIP;510Kohm,5%,1/10W,TP,1608	1	SA
....5		2007-000137	R-CHIP;2Kohm,5%,1/16W,TP,1005	4	SA
....5		2007-000148	R-CHIP;10Kohm,5%,1/16W,TP,1005	31	SA
....5		2007-000155	R-CHIP;27Kohm,5%,1/16W,TP,1005	1	SNA
....5		2007-000163	R-CHIP;120Kohm,5%,1/16W,TP,1005	1	SA
....5		2007-000165	R-CHIP;200Kohm,5%,1/16W,TP,1005	2	SNA
....5		2007-000173	R-CHIP;22ohm,5%,1/16W,TP,1005	1	SNA
....5		2007-000566	R-CHIP;220Kohm,5%,1/16W,TP,1005	2	SNA
....5		2007-000982	R-CHIP;5.6Kohm,5%,1/16W,TP,1005	1	SNA
....5		2007-001038	R-CHIP;56Kohm,1%,1/10W,TP,1608	1	SA
....5		2007-001298	R-CHIP;51ohm,5%,1/16W,TP,1005	2	SA
....5		2007-001301	R-CHIP;68ohm,5%,1/16W,TP,1005	1	SA
....5		2007-001311	R-CHIP;270ohm,5%,1/16W,TP,1005	1	SA
....5		2007-001313	R-CHIP;330ohm,5%,1/16W,TP,1005	2	SNA
....5		2007-002796	R-CHIP;510ohm,5%,1/16W,TP,1005	6	SNA
....5		2007-007100	R-CHIP;10Mohm,5%,1/16W,TP,1005	2	SA
....5		2007-007517	R-CHIP;240ohm,1%,1/16W,TP,1005	1	SNA
....5		2007-008015	R-CHIP;75ohm,1%,1/16W,TP,1005	1	SNA
....5		2007-008649	R-CHIP;220ohm,1%,1/16W,TP,1005	1	SNA

Level	Loc.	Part Code	Description & Specification	Qty.	SA/SNA
....5	AD480	2203-002443	C-CER,CHIP;0.33nF,10%,50V,X7R,TP,1005	4	SNA
....5	AD480	2203-006048	C-CER,CHIP;100nF,10%,10V,X7R,TP,1005	64	SA
....5	AD480	2203-006170	C-CER,CHIP;220nF,10%,16V,X7R,TP,1608	1	SNA
....5	AD480	2203-006257	C-CER,CHIP;470nF,10%,6.3V,X5R,TP,1005,0.	1	SNA
....5	AD480	2203-006399	C-CER,CHIP;1000nF,10%,6.3V,X5R,TP,1005	7	SA
....5	AD480	2203-006838	C-CER,CHIP;2200nF,10%,6.3V,X5R,TP,1005	1	SA
....5	AD480	2203-007513	C-CER,CHIP;10000nF,10%,10V,X5R,TP,1608,0	9	SA
....5		2801-005258	CRYSTAL-SMD;18.432MHz,30ppm,SMD,20pF,370	2	SA
....5		2901-001506	FILTER-EMI SMD;5V,0.13A,0pF,2.0x1.0x0.5mm	2	SA
....5		3701-001293	CONNECTOR-HDMI;19P,A,FEMALE,AU,1.0mm,BLK	2	SA
....5		3707-001114	CONNECTOR-OPTICAL;ANGLE,SPDIF,2.5PI	1	SNA
....5		3711-008938	HEADER-BOARD TO BOARD;NOWALL,28P,2R,2mm,	1	SNA
....5		3722-003159	JACK-PHONE;1P/7C,NI,YEL,ANGLE,3.6PI,10.2	1	SA
....5		6302-001383	GASKET-SMD,,,CONDUCTIVE FABRIC,T9,W5,L6,	3	SNA
....5		AH41-01773A	PCB-HDMI;hw-j6000,FR-4,4L,1.6T,60x53.5mm	1	SNA
....5		AH97-14067A	ASSY MICOM;Soundbar,AH94-03545A	1	SNA
....6		1205-004905	IC-REPEATER;EP92A2S4_V46,LQFP,128P,14x14	1	SNA
..3	M0014	AH94-03728A	ASSY PCB MAIN;HW-J6000R,sat,all,4	1	SA
...4		AH97-14723A	ASSY SMD-MAIN;HW-J6000R,sat,all,4,AH94-0	1	SNA
....5		0403-001172	DIODE-ZENER;UDZ6.8B,6.65~6.93V,200mW,SOD	1	SNA
....5		0404-001089	DIODE-SCHOTTKY;RB551V-30,20V,500mA,SOD-3	1	SA
....5		0404-001881	DIODE-SCHOTTKY;SS3040-HE,40V,3000mA,SOD-	1	SA
....5		0406-001200	DIODE-TVS;RClamp0504F,6V,1MAV,TP	1	SA
....5		0504-000110	TR-DIGITAL;DTC114EU,NPN,200mW,10K/10K,SC	1	SA
....5		0505-002790	FET-SILICON;ZXMP6A17G,P,60V,-4.3A,0.190o	1	SA
....5		0609-001469	MODULE REMOCON;VERTICAL-SMD,1.2mm,TP,37.	1	SA
....5		0801-002681	IC-CMOS LOGIC;74HCU04,INVERTER,TSSOP,14P	1	SNA
....5		0904-002707	IC-DSP;LQFP,128P,16x16mm,128.5MHz,TR,PLA	1	SNA
....5		1001-001680	IC-ANALOG MULTIPLEX;TC7SB3157CFU,CMOS,US	2	SA
....5		1103-001561	IC-EEPROM;S-24C02DI-J800,2Kbit,256X8bit,	1	SA
....5		1105-002494	IC-DRAM;M12L128168A-6TG2N,SDR,128M,2MX16	1	SA
....5		1201-003738	IC-AUDIO AMP;UB6510,QFN,48P,7X7X0.85mm,D	3	SA
....5		1203-006138	IC-POSI.ADJUST REG.;AP1117DGZ-13-89,TO-2	1	SA
....5		1203-006266	IC-POSI.FIXED REG.;AP1117E33GZ-13-89,SOT	1	SA
....5		1203-006684	IC-DC/DC CONVERTER;TPS54327DDAR,HSOP8,8,	4	SNA
....5		1203-007144	IC-DC/DC CONVERTER;TPS54331D,SOIC8,8P,4.	1	SA
....5		1205-004692	IC-SWITCH;TPS2069CDBVR,SOT-23,5P,5.0x3.1	1	SA
....5		1405-001232	VARISTOR;6.4V,5.6Vdc,30A,1.6x0.8mm,TP,19	3	SNA
....5		1405-001306	VARISTOR;0V,11VDC,45A,0.6x0.3mm,TP,50V,0	10	SA
....5		2007-000029	R-CHIP;0ohm,5%,1/8W,TP,2012	4	SNA

## Exploded Views and Parts List

Level	Loc.	Part Code	Description & Specification	Qty.	SA/SNA
....5		2007-000040	R-CHIP;150ohm,1%,1/10W,TP,1608	1	SNA
....5		2007-000071	R-CHIP;22ohm,5%,1/10W,TP,1608	3	SA
....5		2007-000072	R-CHIP;47ohm,5%,1/10W,TP,1608	3	SNA
....5		2007-000077	R-CHIP;470ohm,5%,1/10W,TP,1608	4	SA
....5		2007-000090	R-CHIP;10Kohm,5%,1/10W,TP,1608	7	SA
....5		2007-000091	R-CHIP;12Kohm,5%,1/10W,TP,1608	2	SNA
....5		2007-000109	R-CHIP;1Mohm,5%,1/10W,TP,1608	1	SA
....5		2007-000113	R-CHIP;33ohm,5%,1/10W,TP,1608	2	SA
....5		2007-000143	R-CHIP;4.7Kohm,5%,1/16W,TP,1005	40	SNA
....5		2007-000157	R-CHIP;47Kohm,5%,1/16W,TP,1005	12	SNA
....5		2007-000159	R-CHIP;56Kohm,5%,1/16W,TP,1005	4	SA
....5		2007-000160	R-CHIP;68Kohm,5%,1/16W,TP,1005	1	SA
....5		2007-000162	R-CHIP;100Kohm,5%,1/16W,TP,1005	2	SNA
....5		2007-000168	R-CHIP;470Kohm,5%,1/16W,TP,1005	1	SNA
....5		2007-000171	R-CHIP;0ohm,5%,1/16W,TP,1005	31	SNA
....5		2007-000219	R-CHIP;1.2Kohm,1%,1/10W,TP,1608	1	SA
....5		2007-000242	R-CHIP;1.5Kohm,5%,1/16W,TP,1005	1	SA
....5		2007-000265	R-CHIP;1.8Kohm,1%,1/10W,TP,1608	1	SNA
....5		2007-000312	R-CHIP;10ohm,5%,1/4W,TP,3216	27	SA
....5		2007-000336	R-CHIP;120Kohm,1%,1/10W,TP,1608	2	SA
....5		2007-000343	R-CHIP;120ohm,1%,1/10W,TP,1608	1	SA
....5		2007-000491	R-CHIP;2.2Kohm,1%,1/10W,TP,1608	1	SA
....5		2007-000509	R-CHIP;2.4Kohm,1%,1/10W,TP,1608	1	SNA
....5		2007-000701	R-CHIP;3.6Kohm,1%,1/10W,TP,1608	1	SNA
....5		2007-000758	R-CHIP;330Kohm,5%,1/16W,TP,1005	1	SNA
....5		2007-000842	R-CHIP;3Kohm,1%,1/10W,TP,1608	1	SNA
....5		2007-000932	R-CHIP;470ohm,5%,1/16W,TP,1005	3	SA
....5		2007-001167	R-CHIP;75ohm,5%,1/10W,TP,1608	1	SNA
....5		2007-001284	R-CHIP;4.7ohm,5%,1/16W,TP,1005	2	SNA
....5		2007-001292	R-CHIP;33ohm,5%,1/16W,TP,1005	108	SNA
....5		2007-002425	R-CHIP;1ohm,5%,1/10W,TP,1608	2	SNA
....5		2007-002899	R-CHIP;10ohm,1%,1/10W,TP,1608	1	SA
....5		2007-007042	R-CHIP;620Kohm,5%,1/10W,TP,1608	1	SA
....5		2007-007132	R-CHIP;15Kohm,1%,1/16W,TP,1005	1	SNA
....5		2007-007136	R-CHIP;4.7Kohm,1%,1/16W,TP,1005	3	SA
....5		2007-007277	R-CHIP;392ohm,1%,1/10W,TP,1608	1	SA
....5		2007-007306	R-CHIP;100ohm,1%,1/16W,TP,1005	1	SNA
....5		2007-007307	R-CHIP;150ohm,1%,1/16W,TP,1005	1	SNA
....5		2007-007311	R-CHIP;22Kohm,1%,1/16W,TP,1005	4	SA
....5		2007-007316	R-CHIP;3.3Kohm,1%,1/16W,TP,1005	1	SNA

Level	Loc.	Part Code	Description & Specification	Qty.	SA/SNA
....5		2007-007317	R-CHIP;2.2Kohm,1%,1/16W,TP,1005	4	SA
....5		2007-007318	R-CHIP;1Kohm,1%,1/16W,TP,1005	1	SNA
....5		2007-007766	R-CHIP;2Kohm,1%,1/16W,TP,1005	3	SNA
....5		2007-008136	R-CHIP;36Kohm,1%,1/16W,TP,1005	1	SNA
....5		2007-008294	R-CHIP;33ohm,1%,1/16W,TP,1005	1	SA
....5		2007-008563	R-CHIP;270ohm,1%,1/16W,TP,1005	1	SA
....5		2007-008672	R-CHIP;47ohm,1%,1/16W,TP,1005	1	SNA
....5	AD480	2203-000278	C-CER,CHIP;0.01nF,0.5pF,50V,C0G,TP,1005	7	SA
....5	AD480	2203-000330	C-CER,CHIP;0.012nF,5%,50V,C0G,TP,1005	1	SA
....5	AD480	2203-000438	C-CER,CHIP;1nF,10%,50V,X7R,TP,1005	4	SNA
....5	AD480	2203-000585	C-CER,CHIP;0.22nF,10%,50V,X7R,TP,1005	1	SNA
....5	AD480	2203-000679	C-CER,CHIP;0.027nF,5%,50V,C0G,TP,1005	2	SA
....5	AD480	2203-000812	C-CER,CHIP;0.033nF,5%,50V,C0G,TP,1005	12	SNA
....5	AD480	2203-000995	C-CER,CHIP;0.047nF,5%,50V,C0G,TP,1005	5	SNA
....5	AD480	2203-001153	C-CER,CHIP;0.068nF,5%,50V,NP0,TP,1005	3	SNA
....5	AD480	2203-001412	C-CER,CHIP;0.03nF,5%,50V,NP0,TP,1005	4	SNA
....5	AD480	2203-002392	C-CER,CHIP;220nF,+80-20%,50V,Y5V,TP,2012	18	SA
....5	AD480	2203-002687	C-CER,CHIP;1.2nF,10%,50V,X7R,TP,1005	12	SNA
....5	AD480	2203-005138	C-CER,CHIP;1.8nF,10%,50V,X7R,TP,1005	1	SA
....5	AD480	2203-005221	C-CER,CHIP;15nF,10%,50V,X7R,TP,1608	1	SNA
....5	AD480	2203-005565	C-CER,CHIP;1nF,5%,50V,C0G,TP,1608	12	SA
....5	AD480	2203-005968	C-CER,CHIP;4.7nF,10%,50V,X7R,TP,1005,0.5	4	SNA
....5	AD480	2203-006158	C-CER,CHIP;100nF,10%,16V,X7R,TP,1005,T0.	63	SA
....5	AD480	2203-006320	C-CER,CHIP;2200nF,10%,16V,X7R,TP,2012	6	SNA
....5	AD480	2203-006377	C-CER,CHIP;4700nF,10%,25V,X5R,TP,2012	5	SNA
....5	AD480	2203-006474	C-CER,CHIP;22000nF,20%,6.3V,X5R,TP,2012	3	SA
....5	AD480	2203-006698	C-CER,CHIP;1000nF,10%,25V,X7R,TP,1608,0.	13	SA
....5	AD480	2203-006841	C-CER,CHIP;1000nF,10%,16V,X5R,TP,1005	4	SNA
....5	AD480	2203-006842	C-CER,CHIP;0.47nF,5%,50V,C0G,TP,1005	1	SNA
....5	AD480	2203-006890	C-CER,CHIP;10000nF,20%,6.3V,X5R,TP,1608	1	SNA
....5	AD480	2203-007176	C-CER,CHIP;10000nF,10%,16V,X5R,TP,2012,1	3	SNA
....5	AD480	2203-007269	C-CER,CHIP;22000nF,20%,10V,X5R,TP,2012(2	5	SA
....5	AD480	2203-007486	C-CER,CHIP;1000nF,10%,50V,X5R,TP,1608	1	SNA
....5	AD480	2203-007717	C-CER,CHIP;82nF,10%,50V,X7R,TP,1608,0.8T	12	SNA
....5		2402-001326	C-AL,SMD;220uF,20%,16V,LZ,8.3x8.3x6.2mm	2	SA
....5		2402-001398	C-AL,SMD;220uF,20%,35V,TP,8x10mm	3	SA
....5		2703-003149	INDUCTOR-SMD;2.2uH,20%,0.055Ohm,3000mA,W	2	SA
....5		2703-003559	INDUCTOR-SMD;4.7uH,20%,8080,0.032ohm,450	12	SNA
....5		2703-004199	INDUCTOR-SMD;10uH,20%,6.6x7.0mm,2.2mm,0.	1	SNA
....5		2703-004586	INDUCTOR-SMD;3.3uH,20%,5050,2T,0.063Ohm,	2	SA

Exploded Views and Parts List

Level	Loc.	Part Code	Description & Specification	Qty.	SA/SNA
....5		2801-005287	CRYSTAL-SMD;27MHz,30ppm,SMD,18pF,40Ohm,T	1	SA
....5		3301-001364	BEAD-SMD;1000ohm,1608,TP,1085ohm/108MHz,	4	SNA
....5		3601-001386	FUSE-SURFACE MOUNT;125V,5A,FAST-ACTING,C	1	SA
....5		3601-001470	FUSE-SURFACE MOUNT;32V,1.5A,FAST-ACTING,	3	SNA
....5		3708-003154	CONNECTOR-FPC/FFC/PIC;14P,0.5mm,SMD-S,AU	1	SA
....5		3708-003258	CONNECTOR-FPC/FFC/PIC;5P,1mm,SMD-S,AU,Y,	1	SNA
....5		3710-004036	SOCKET-BOARD TO BOARD;28P,2R,2mm,STRAIGH	1	SNA
....5	EH01	3711-005941	HEADER-BOARD TO CABLE;BOX,8P,1R,2mm,SMD-	1	SA
....5	EH01	3711-006042	HEADER-BOARD TO CABLE;BOX,6P,1R,2.0mm,SM	1	SNA
....5		3711-007799	CONNECTOR-HEADER;BOX,8P,1R,1.25mm,SMD-S,	1	SA
....5		3722-003322	JACK-DC POWER;4P,4PI,SN/PB,BLK,12.4x10.8	1	SA
....5		3722-003530	JACK-USB;4P/1C,AU,BLK,ANGLE,A,2.0,12.50x	1	SA
....5		6302-001236	GASKET-EMI;Conductive Fabric,T6,W4.5,L6.	3	SA
....5		AH41-01772B	PCB-MAIN;HW-J6000,FR-4,4L,1.6T,300x68mm,	1	SNA
....5		AH97-14724A	ASSY MICOM-MAIN;HW-J6000R,sat,all,AH94-0	1	SNA
....6		0903-001781	IC-MICROCONTROLLER;LQFP,64P,10x10mm,32MH	1	SNA
....5		AH97-14728A	ASSY MICOM-DSP;HW-J6000R	1	SNA
....6	IC	1107-002265	IC-NOR FLASH;W25Q32FVSSIG,32Mbit,SOP,8P,	1	SA
...3	BT	AH96-02298A	NETWORK-BLUETOOTH;WIBT40D,18.0x28.5x5.4m	1	SA
...3	CB07A	AH96-03405A	ASSY BRACKET P-PCB;HW-J6000,W/W,SECC,NAT	1	SNA
...4	CB07	AH61-03993A	BRACKET-PCB;HW-J6000/J6500,EGI-SECC,T1,N	1	SNA
...4		AH63-03309B	SHEET-EVA;HW-F450,EVA,T0.5,W10,L20,BLACK	3	SNA
...4		AH63-04182A	SHEET-PE FOAM;HW-J650,PE FOAM,W15,L70,BL	1	SNA
...3	FL06	AH96-03632B	FFC CABLE;HW-J6500,Fold,L40,24P	1	SA
1		AH91-00845A	ASSY SHIELD;HW-J6000	1	SNA
.2	SCREW	6002-000126	SCREW-TAPPING;FH,+,-,2S,M3,L10,ZPC(BLK),	22	SA
.2	SCREW	6003-000275	SCREW-TAPTYPE;BH,+ ,B,M3,L10,ZPC(BLK),SWR	4	SA
.2		AH96-03353A	ASSY SPEAKER P-FRONT;AV-SPK,HW-J6000,4oh	1	SNA
...3	SPKFL	AH82-01054A	A/S ASSY-SPEAKER;4ohm,HW-J6000,LEFT SPK	1	SA
...3	SPKFR	AH82-01055A	A/S ASSY-SPEAKER;4ohm,HW-J6000,RIGHT SPK	1	SA
.2	M0131	BN63-00542A	GASKET-EMI;POSEIDON22,Conductive Fabric,	1	SNA
1		AH91-00941C	ASSY SPEAKER-SUBWOOFER;HW-J6000R	1	SA
.2		AH96-03358B	ASSY SPEAKER P-SUBWOOFER;AV-SPK,HW-J550,	1	SNA
...3		AH69-04373A	CUSHION-SPEAKER WOOFER;PS-WJ550,EPS,CUSH	1	SNA
...3		AH81-09341A	A/S SPEAKER;PE BAG,FOR WOOFER ASSY,950(W	1	SNA
...3		AH82-01063B	A/S ASSY-SPEAKER;FOR HW-J6000,J650,J550,	1	SNA
...4	SCREW	6002-001294	SCREW-TAPPING;BH,+ ,M4,L16,ZPC(BLK)	32	SA
...4	SCREW	6003-000275	SCREW-TAPTYPE;BH,+ ,B,M3,L10,ZPC(BLK),SWR	1	SA
...4	SCREW	6003-000276	SCREW-TAPTYPE;BH,+,-,B,M3,L10,ZPC(WHT),S	14	SA
...4	SCREW	6003-001003	SCREW-TAPTYPE;BH,+ ,B,M4,L12,ZPC(BLK),SWR	2	SA



Level	Loc.	Part Code	Description & Specification	Qty.	SA/SNA
...4	SCREW	6003-001561	SCREW-TAPTYPE;BH,+,-,B,M3,L6,ZPC(WHT),SW	2	SA
...4		AH59-02446A	UNIT-SPEAKER WOOFER;HT-E6550,180	1	SNA
...4	RF01	AH61-04031A	FOOT-RUBBER;HW-J550,SILICONE,BLACK	2	SNA
...4	AC280	AH63-03960A	COVER-PCB;PS-WJ550,ABS,HB,BK0007	1	SNA
...4	AC280	AH63-03961A	COVER-PCB;PS-WJ550,ABS,HB,BK0007	1	SNA
...4	F001	AH63-03964A	COVER-FRONT;PS-WJ550,ABS+PMMA,HB,BK0041	1	SNA
...4		AH63-03965A	COVER-SPEAKER FRONT;PS-WJ550,HIPS,HB,BK0	1	SNA
...4	FD01	AH63-03968A	COVER-DECORATION;PS-WJ550,HIPS,DHB,HB,RD	1	SNA
...4		AH63-03972A	COVER-DUCT LEFT;PS-WJ550,ABS,HB,BK0007	1	SNA
...4		AH63-04044A	COVER-INNER DUCT;PS-WJ550,HIPS,HB,BK0020	1	SNA
...4		AH63-04045A	COVER-INNER DUCT;PS-WJ550,HIPS,HB,BK0020	1	SNA
...4		AH63-04048A	COVER-DUCT RIGHT;PS-WJ550,ABS,HB,BK0007	1	SNA
...4		AH63-04168A	SHEET-EVA;EVA,T1,W250,L10,BLACK	1	SNA
...4		AH63-04169A	SHEET-EVA;EVA,T0.5,W8,L700,BLACK	1	SNA
...4		AH63-04170A	SHEET-EVA;EVA,T1,W40,L10,BLACK	4	SNA
...4		AH63-04171A	SHEET-ETC;HW-J550,EVA,T0.5,W600,L10,BLAC	1	SNA
...4		AH63-04172A	SHEET-EVA;HW-J550,EVA,T0.5,W550,L15,BLAC	1	SNA
...4	AC850	AH64-05832A	BRACKET-PCB;SWA-7000,EGI-SECC,T0.6,W185,	1	SNA
...4		AH64-05881A	HOLDER-JERSEY;PS-WJ550,ABS,BK0007,HB	1	SNA
...4	AL093	AH67-00661A	LENS-LED;PS-E550,PMMA,CLEAR,1.2mm,HB	1	SNA
...4	SP011	AH81-03823A	A/S SPEAKER;PS-X810,LENS-HOLDER,FOR SUBW	1	SNA
...4		AH81-07614A	A/S SPEAKER;AV SPK,EVA,17X12,FOR WIRE HO	1	SNA
...4		AH81-07947A	CKD-SPEAKER TERMINAL;AV SPK,TERMINAL,4	1	SNA
...4		AH81-08175A	A/S SPEAKER;HT-F450,PB/9T 20*60	5	SNA
...4		AH81-09071A	A/S SPEAKER;HW-H20,PAPER_DUCT,FOR SUBWOO	1	SNA
...4		AH81-09088A	A/S SPEAKER;HW-H20,EPS 97.3*74.2*16,FOR	1	SNA
...4		AH81-09260A	A/S RECEIVER-SPONGE;for j450 subwoofer,4	2	SNA
...4		AH81-09440B	A/S RECEIVER-CABINET;W330*D146*H450 9T,E	1	SNA
...4		AH81-09441B	A/S RECEIVER;319*439 12T MDF,E1	1	SNA
...4		AH81-09443B	A/S RECEIVER;319*439 12T MDF,E1	1	SNA
...4	WIRE	AH81-09467A	A/S SPEAKER;UL21311 18# wire,240MM+140MM	1	SA
...4		AH81-09484A	A/S SPEAKER;57*24	1	SNA
...4		AH81-09485A	A/S RECEIVER-EVA;20*30*0.5T	2	SNA
...4		AH81-09486A	A/S RECEIVER-EVA;38.5*34.5*1.0T	1	SNA
...4		AH81-09487A	A/S RECEIVER-EVA;180*30*1.0T	1	SNA
...4		AH81-09488A	A/S RECEIVER-SPONGE;185*90*3T	1	SNA
...4		AH81-09489A	A/S RECEIVER-SPONGE;250*100*5T	1	SNA
...4		AH81-09490A	A/S RECEIVER-SCREW;FH,+ M3*6,ZPC(WHT)	2	SNA
...4		AH81-09491A	A/S RECEIVER-EVA;360*10*0.5T	1	SNA
.2	AKIT	AH96-03949A	ASSY KIT;HW-J4000,HW-J6000R,AMP LED KIT	1	SNA

Exploded Views and Parts List

Level	Loc.	Part Code	Description & Specification	Qty.	SA/SNA
...3		3301-001068	CORE-FERRITE;13x5x25mm	1	SA
...3		AH39-01281B	LEAD CONNECTOR-ETC;HW-J550,UL21016,4P,45	1	SA
...3	EC18	AH39-01287A	LEAD CONNECTOR-SUB ASSY;UL21016,4P,125mm	1	SA
...3		AH44-00323A	DC VSS-POWER BOARD;V200S_EPN,AC/DC,200W,	1	SA
...3		AH59-02738A	NETWORK-WIRELESS AUDIO;WISP-40A,26X60X4.	1	SA
...3		AH62-00274A	PAD GAP-THERMAL;HW-F550,SI,T1,L30,H26	2	SNA
...3	SNA	AH94-02865C	ASSY PCB TACT S/W-SUB ID SET;HW-F550/F55	1	SA
...4		AH97-08253B	ASSY SMD-SUB ID SET;HW-F550,ZA,AH94-0286	1	SNA
....5	AD480	2203-005148	C-CER,CHIP;100nF,10%,16V,X7R,TP,1608	2	SNA
....5	AD480	2203-006361	C-CER,CHIP;10000nF,10%,10V,X5R,TP,2012	3	SC
....5		3404-001401	SWITCH-TACT;12VDC,50mA,250gf,6.2X6.2mm,1	1	SA
....5	EH01	3711-007814	HEADER-BOARD TO CABLE;BOX,4P,1R,1.25mm,S	1	SA
....5		AH41-01518A	PCB-FUNCTION;HT-E8200,CEM-3,2L,1.6T,30x1	1	SNA
...3		AH94-03589A	ASSY PCB FUNCTION-LED;HW-J450,SAT	1	SA
...4		AH97-14159A	ASSY SMD-LED;SAT,AH94-03589A	1	SNA
....5	EL02	0601-003071	LED;RECTANGLE(SMD),RED,1.7mm,625nm,3.2x2	1	SNA
....5	EL02	0601-003072	LED;RECTANGLE(SMD),BLUE,1.7mm,467.5nm,3.	1	SNA
....5		2007-000075	R-CHIP;220ohm,5%,1/10W,TP,1608	1	SA
....5		2007-000076	R-CHIP;330ohm,5%,1/10W,TP,1608	1	SNA
....5	EH01	3711-005477	HEADER-BOARD TO CABLE;BOX,4P,1R,2.0mm,SM	1	SA
....5		AH41-01520A	PCB-DISPLAY;HT-E8200,CEM-3,2L,1.6T,24x27	1	SNA
...3	MA01A	AH94-03721C	ASSY PCB AMP;SWA8000,FR-4,ZA,REAR,2	1	SA
...4		0201-001059	ADHESIVE-SIL;#9590,WHT,CARTRIGE	0	SNA
...4		0202-001522	SOLDER-WIRE FLUX;LFA3-107,D1.2,96.5Sn/3A	6	SNA
...4		0202-001768	SOLDER-BAR;HSE-16,S60S-20,D3,SN/0.5CU/0.	0	SNA
...4		0204-002514	THINNER;TS4500,OXIGEN,NO,13.15KG,14KG/BO	3	SNA
...4		0204-002606	FLUX;LF-715K,OXIGEN,NO,16000L,14%,16kg,G	1	SNA
...4		2401-004447	C-AL;680uF,20%,50V,LZ,TP,12.5x25mm,5mm	2	SNA
...4		3710-003952	SOCKET-BOARD TO BOARD;13P,1R,1.25mm,STRA	1	SNA
...4	EH01	3711-000178	HEADER-BOARD TO CABLE;1WALL,2P,1R,3.96mm	1	SA
...4	SCREW	6003-001375	SCREW-TAPTYPE;BH,+,-,B,M3,L8,ZPC(WHT),SW	2	SA
...4		AH27-00097A	COIL FILTER;SWA7000,10uH,17.9/17.2Mohm,1	1	SA
...4		AH62-00301A	HEAT SINK-ES;SWA7000,A6063,W50.8,L13,SIL	1	SNA
...4		AH68-50254B	LABEL-SERIAL;-,-,TETRON,T0.1,W42,L10,-,-	2	SNA
...4		AH97-14710A	ASSY SMD;ZA,2,AH94-03721C	1	SNA
....5		0202-001899	SOLDER-CREAM;M705-GRN360-K2-VT,20-38um,S	3	SNA
....5		0501-000002	TR-SMALL SIGNAL;KSA812,PNP,150mW,SOT-23,	3	SNA
....5		0501-000479	TR-SMALL SIGNAL;KST42,NPN,350mW,SOT-23,T	3	SA
....5		0504-000128	TR-DIGITAL;FJV3103R,NPN,200mW,22K/22K,SO	4	SA
....5		1201-003514	IC-AUDIO AMP;TAS5614LADDVR,HTSSOP,44Z30,	1	SNA

Level	Loc.	Part Code	Description & Specification	Qty.	SA/SNA
....5		1203-004363	IC-VOL. DETECTOR;SOT-23,3Z30,2.9x1.6mm,P	2	SA
....5		1203-004364	IC-VOL. DETECTOR;RT9818C-42PV,SOT-23,3P,	1	SA
....5		1203-007107	IC-RESET;CAT853STBI-T3,SOT-23 3-Lead,3P,	2	SA
....5		1203-007137	IC-POSI.ADJUST REG.;AP7361-Y,SOT89,5,4.5	3	SA
....5		1204-003425	IC-MODULATOR;UB2130,TQFP,64Z30,7x7x1mm,P	1	SA
....5		1405-001192	VARISTOR;12Vdc,30A,1.6x0.8mm,TP,50V,0.3p	2	SA
....5		2007-000052	R-CHIP;10Kohm,1%,1/10W,TP,1608	3	SA
....5		2007-000097	R-CHIP;47Kohm,5%,1/10W,TP,1608	2	SA
....5		2007-000138	R-CHIP;100ohm,5%,1/16W,TP,1005	48	SA
....5		2007-000139	R-CHIP;220ohm,5%,1/16W,TP,1005	1	SA
....5		2007-000140	R-CHIP;1Kohm,5%,1/16W,TP,1005	8	SNA
....5		2007-000153	R-CHIP;22Kohm,5%,1/16W,TP,1005	7	SA
....5		2007-000170	R-CHIP;1Mohm,5%,1/16W,TP,1005	1	SNA
....5		2007-000174	R-CHIP;47ohm,5%,1/16W,TP,1005	8	SNA
....5		2007-000239	R-CHIP;1.5Kohm,1%,1/10W,TP,1608	2	SNA
....5		2007-000651	R-CHIP;27Kohm,1%,1/10W,TP,1608	1	SNA
....5		2007-000695	R-CHIP;3.3ohm,5%,1/10W,TP,1608	9	SNA
....5		2007-000775	R-CHIP;33Kohm,5%,1/16W,TP,1005	2	SA
....5		2007-000869	R-CHIP;4.7Kohm,1%,1/10W,TP,1608	3	SA
....5		2007-001134	R-CHIP;68ohm,5%,1/10W,TP,1608	6	SA
....5		2007-001305	R-CHIP;120ohm,5%,1/16W,TP,1005	1	SNA
....5		2007-008275	R-CHIP;30Kohm,1%,1/16W,TP,1005	2	SNA
....5	AD480	2203-000233	C-CER,CHIP;0.1nF,5%,50V,C0G,TP,1005	6	SNA
....5	AD480	2203-000627	C-CER,CHIP;0.022nF,5%,50V,C0G,TP,1005	2	SNA
....5	AD480	2203-001124	C-CER,CHIP;0.68nF,10%,50V,X7R,TP,1005	2	SNA
....5	AD480	2203-001634	C-CER,CHIP;33nF,10%,50V,X7R,TP,1608	2	SNA
....5	AD480	2203-002285	C-CER,CHIP;10nF,10%,50V,X7R,TP,1005	9	SNA
....5	AD480	2203-005249	C-CER,CHIP;100nF,10%,50V,X7R,TP,1608	31	SNA
....5	AD480	2203-006005	C-CER,CHIP;10nF,10%,100V,X7R,TP,1608	2	SNA
....5	AD480	2203-006348	C-CER,CHIP;1000nF,10%,25V,X5R,TP,1608,0.	4	SA
....5	AD480	2203-006960	C-CER,CHIP;1000nF,10%,50V,X7R,TP,2012	2	SNA
....5	AD480	2203-006977	C-CER,CHIP;47000nF,10%,16V,X5R,TP,3225	2	SA
....5	AD480	2203-007230	C-CER,CHIP;47000nF,20%,6.3V,X5R,TP,2012(	18	SNA
....5	AD480	2203-007240	C-CER,CHIP;22000nF,20%,6.3V,X5R,TP,1608(	2	SA
....5	AD480	2203-007270	C-CER,CHIP;10000nF,10%,10V,X5R,TP,1608,0	112	SNA
....5	AD480	2203-007306	C-CER,CHIP;10000nF,10%,25V,X5R,TP,2012,1	8	SNA
....5		2402-001237	C-AL,SMD;330uF,20%,6.3V,-,TP,6.3x7.7mm	2	SA
....5		2703-003754	INDUCTOR-SMD;1uH,20%,1608,0.8T,0.24Ohm,9	2	SNA
....5		2801-004371	CRYSTAL-SMD;12.288MHz,50ppm,SX-1,18pF,50	1	SNA
....5		3301-001404	BEAD-SMD;30ohm,2012,TP,15.9OHM/30MHz	46	SA

Exploded Views and Parts List

Level	Loc.	Part Code	Description & Specification	Qty.	SA/SNA
....5		3708-003266	CONNECTOR-FPC/FFC/PIC;24P,0.5mm,SMD-S,AU	2	SA
....5	EH01	3711-006043	HEADER-BOARD TO CABLE;BOX,4P,1R,2mm,SMD-	2	SA
....5		AH41-01845A	PCB-FUNCTION;HW-K350,450,650,6000,SWA800	1	SNA
...3		AH96-03929A	FFC CABLE;HW-K450/K470,Straight,L70,24P,	1	SA
1		AH92-04717A	ASSY P/MATERIAL;HW-J6000	1	SNA
.2		0203-000007	TAPE-FILAMENT;T0.1,W18,L55M,TRP,FILAMENT	0	SNA
.2		0203-001100	TAPE-OPP;OPP/W75/CLR,T0.075,W75,L400M,TR	3	SNA
.2		AH63-01971A	PACKING SHEET;HT-WS1,HDPE/PE FOAM,T0.02/	1	SNA
.2		AH69-04376A	CUSHION-SET;HW-J6000/J6500,EPS,16.7g/l,W	1	SNA
1		AH92-04734M	ASSY LABEL;HW-J7500	1	SNA
.2		AH68-02756H	LABEL-WARNING;HW-J6000,ART,80g,W50,L30,U	1	SNA
.2		AK68-02233C	LABEL-RATING;ALL AV,WW,ART,T0.05,W80,L23	2	SNA
1		AH92-04830H	ASSY BOX;WAM1500	1	SNA
.2		AH68-01981M	LABEL BOX;ALL MODEL,ALL BUYER,THERMAL PA	1	SNA
.2		AH69-04446X	BOX UNIT;HW-J6000R,CB,SW4,A1,L196,W1125,	1	SNA
1	ACCE1	AH92-04861L	ASSY ACCESSORY;HW-K550	1	SNA
.2		AH96-03828X	ASSY ACCESSORY-MANUAL CABLE;WAM1500	1	SNA
...3	T0268	3903-000603	CBF-POWER CORD;DT,CEE,LP-21L,250V,2.5A,B	2	SA
...3		4301-001042	BATTERY-LI;3V,220mAH,CR2032,20x3.2mm,2.8	1	SNA
...3		AH59-02733B	REMOCON-AV;2016 Soundbar,Samsung,15KEY,3	1	SA
...3		AH63-02236D	SHEET-BAG;ALL MODEL,PE,T0.2,W210,310,CLE	1	SNA
...3		AH63-02236E	SHEET-PE;ALL MODEL,PE,T0.2,W180,250,CLEA	1	SNA
...3		AH63-02236Q	SHEET-BAG;ALL MODEL,PE,T0.05,W40,L130,CL	1	SNA
...3		AH68-02897F	MANUAL USERS;HW-J6000R,ZF,W/P	1	SNA
...3		AH68-50254B	LABEL-SERIAL;-,-,TETRON,T0.1,W42,L10,-,-	1	SNA
...3		AH69-04438A	BOX ACCESSORY;HW-J550,ACCESSORY,CB,SW-E,	1	SNA
...3		AH69-04439A	PAD-ACCESSORY;HW-J550,ACCESSORY,CB,DW2,W	1	SNA
...3	CB25A	AH96-03614A	ASSY BRACKET P-WALL;HW-J6000,HW-J6000,SE	1	SA
...4		AH61-03909A	HOLDER-WALL FIX;HW-H7500,SWRCH10A,DM4,BL	2	SNA
...4	CB20	AH61-03943A	BRACKET-WALL;HW-J6500,EGI-SECC,T2,BLACK	2	SNA
...4		AH63-04137A	SHEET-WALL;HW-J6000,PAPER,T0.1,W70,L550,	1	SNA
...4		AH63-04149A	SHEET-BAG;HW-J6000,EPE,0.5,WHITE	1	SNA
...4		AH63-04164A	SHEET-BAG;HW-J6000,EPE,0.5,WHITE	1	SNA
...3	P001A	BN44-00827A	DC VSS(A);A5814_FPNA,14V,4.14A,100-240V,	1	SA
...3		BN68-00514P	LEAFLET-WARRANTY;AV,W.EUR,W/P,W630,L297,	1	SNA
...3	M0019	BN68-00970A	LABEL BOX;ALL,PET,T0.05,W60,L60,SEALING	1	SNA