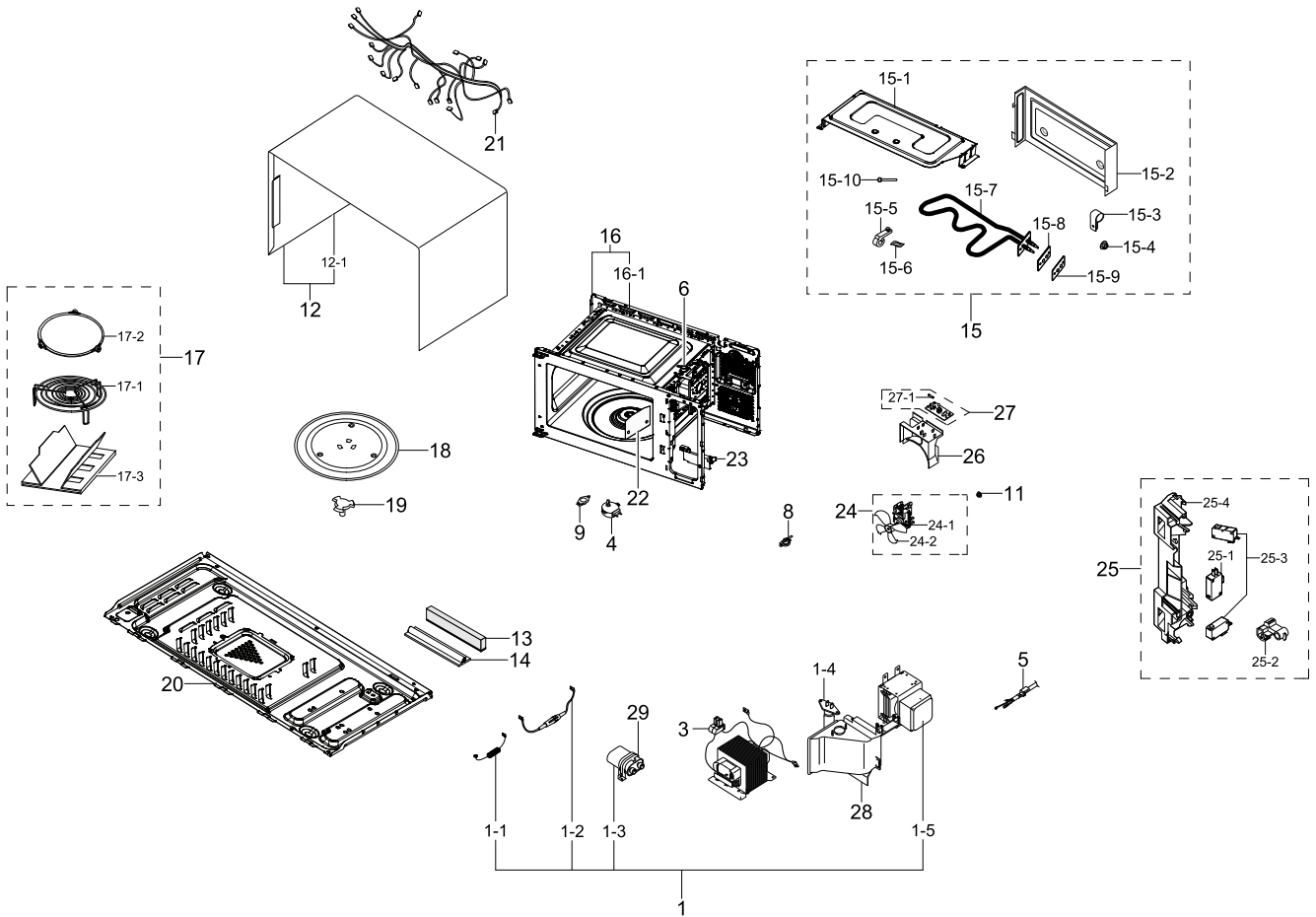


# 1. GE87M/XEF\_0

## Exploded View



## Parts List

No.	Lvl.	Loc.	Material Code	Description & Specification	SNA	Qty.
1	1		DE96-00907A	ASSY-POWER PACK; 0.8 GRILL,0.8 GRILL	SNA	1
1-1	2	M527	DE59-00002A	DIODE-H.V; MWO,2CL4512H/CL04-12A,500mA,12	SA	1
1-2	2	M042	DE91-70061C	ASSY H.V.FUSE; THV060T,5KV,700mA,SCREW,BL	SA	1
1-3	2	M039	2501-001011	C-OIL HIGH VOLTAGE; 910nF,2100V,BK,34x54x	SA	1
1-4	2	M036	4713-001524	LAMP-INCANDESCENT; 22x53,BK,20,230,CLEAR,	SA	1
1-5	2	M035	OM75P(31)ESGN	ASSY-MGT; ASSY-MGT		1
3	2	M038	DE26-00144A	TRANS H.V; SHV-EURO4-1,230V,2370V/3.50V,A	SA	1
4	2	M049	DE31-10154D	MOTOR AC DRIVE; 8,21V,50/60Hz,3W,5/6rpm	SA	1
5	1	M015	DE96-00385E	CBF-POWER CORD; AT,EUROPE,EU3S,,,,Gray,11	SA	1
6	2	M447	DE47-20010A	THERMOSTAT; 125/250V,15/7.5A,120,60,NORMA	SA	1

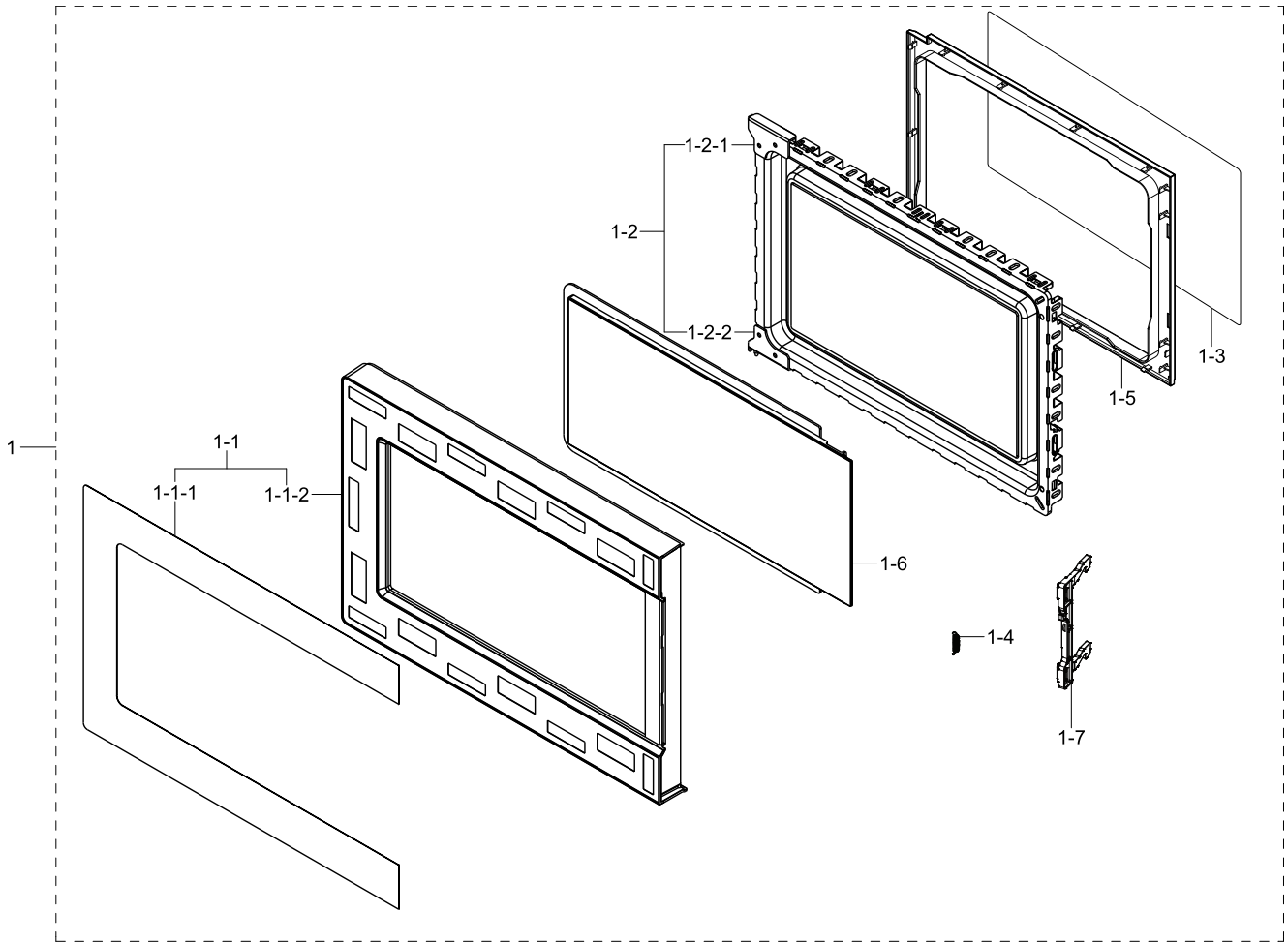
Exploded Views and Parts List

No.	Lvl.	Loc.	Material Code	Description & Specification	SNA	Qty.
8	2	M436	DE47-20009A	THERMOSTAT; 125/250V,15/7.5A,150,60,NORMA	SA	1
9	2	M451	DE47-20032B	THERMOSTAT; 125/250V,15/7.5A,85,75,NORMAL	SA	1
11	2	H024	DE60-30016A	NUT FLANGE; MSWR-SWRM,MSWR10	SNA	4
12	1	M001	DE64-02356G	PANEL OUTER; MW73B-S,EGI-SECC,T0.4,NEO SI	SA	1
12-1	2		DE64-02356A	PANEL OUTER-PRESS; 0.7ECO PLATFORM,EGI-SE	SNA	1
13	2	M126	DE63-90064B	CUSHION; PU FOAM,T5X10X50	SNA	2
14	2		DE66-00219A	WIRE-BAND; ALL CMO MODEL,PP,,,,,,,,,T0.9	SNA	1
15	1		DE90-01069A	ASSY GRILL PARTS; GE83XR,ENAMEL,0.8 ECO F	SNA	1
15-1	2	M003	DE61-01318A	BRACKET-UPPER(GRILL); 0.8 Chic,EGI-SECC,T	SA	1
15-2	2	P186	DE63-00678A	COVER BACK; 0.8 chic,EGI-SECC,T0.4,GRILL	SNA	1
15-3	2	M483	DE65-20014A	CABLE CLAMP; NY-66,DA-6N	SNA	1
15-4	2	H024	DE60-30016A	NUT FLANGE; MSWR-SWRM,MSWR10	SNA	4
15-5	2	M535	DE61-30008A	SUPPORT HEATER; GE87H/BAL,ALUMINA,T12,W11	SNA	1
15-6	2	M005	DE61-70060A	SPRING-PLATE; SK5,T0.5	SNA	1
15-7	2	H061	DE47-00016A	HEATER SHEATH-GRILL; AC230V,BKT,1100W(108	SA	1
15-8	2	M008	DE63-00049A	GASKET-HEATER; CE2613N,BRASS,T1.0,W53,L15	SA	1
15-9	2	M094	DE63-00048A	GASKET-STOPPER; CE2613N,EGI-SECC,T1.0,W53	SA	1
15-10	2	M036	DE65-20029A	CORD CLAMP; GA-SGCC,L94XT0.5,GALVA,BLK,-,	SNA	1
16	1	P141	DE94-02322D	ASSY CAVITY-COATING; 0.8 CU.FT,GE83XR,0.8	SNA	1
16-1	2	Z778	DE94-02324D	ASSY CAVITY-WELDING; 0.8 ECO FIXED GRILL,	SNA	1
17	1		DE94-02439B	ASSY ACCESSORY PARTS; 0.8 ECO GRILL,0.8 E	SNA	1
17-1	2	T030	DE74-70071D	RACK WIRE; 0.7/NC2000,MSWR-SWRM,PI3,D230,	SA	1
17-2	2	T165	DE94-02266D	ASSY GUIDE ROLLER; MW73BR/BWT (ECO),SPS,T	SA	1
17-3	2		DE69-00191A	PAD-RACK; CE2877N,CB	SNA	1
18	2	T001	DE74-20102D	TRAY COOKING; G643C-1(3RD-0.6),GLASS,T6,-	SA	1
19	2	M034	DE67-00258A	COUPLER; 0.7ECO PLATFORM,PPS,BROWN,0103-0	SA	1
20	2	M048	DE61-01262A	BASE PLATE; 0.7ECO PLATFORM,GI-SGCC,T0.5	SNA	1

No.	Lvl.	Loc.	Material Code	Description & Specification	SNA	Qty.
21	1	W001	DE96-00865A	ASSY WIRE HARNESS; 0.8 S_Grill,230VAC,230	SA	1
22	2	M051	DE71-00159A	COVER-CEILING; CN2835,MICA SHEET,T0.3,W11	SA	1
23	2	M099	DE66-00226A	LEVER DOOR; 0.7ECO PLATFORM,PP,WHITE	SA	1
24	2	M020	DE96-00848A	ASSY MOTOR FAN; MW73BR,SMF-E73A,230V 50Hz	SA	1
24-1	3	M023	DE31-10184J	MOTOR AC FAN; SMF-E73A,2,230V,50Hz,20W,25	SA	1
24-2	3	H018	DE31-00063A	BLADE-FAN; 0.7ECO PLATFORM,PP,GREY	SA	1
25	1	B022	DE94-02265D	ASSY BODY LATCH; AGE83X/XAP,ECO PLATFORM	SNA	1
25-1	2	B046	3405-001032	SWITCH-MICRO; 125/250VAC,16A,200gf,SPDT,T	SA	1
25-2	2	L0001	DE66-00234A	LEVER SWITCH; MW73B,POM,NC0001,F20-03,WHI	SNA	1
25-3	2	S0021	3405-000178	SWITCH-MICRO; 250V,16A,200gf,SPST-NO	SNA	2
25-4	2	B076	DE66-00225A	LATCH BODY; 0.7/0.8 ECO PLATFORM,PP,WHITE	SNA	1
26	2		DE63-00652B	COVER BLOWER-GRILL; 0.7ECO PLATFORM,PP,WH	SNA	1
27	2	M017	DE96-00399A	ASSY NOISE FILTER; SN-UF11A,250V/15A,250V	SA	1
27-1	3	M019	3601-001197	FUSE-CARTRIDGE; 250V,15A,SLOW-BLOW,CERAMI	SA	1
28	2	M037	DE63-00651A	COVER AIR; 0.7ECO PLATFORM,GI-SGCC,T0.4	SA	1
29	2	M040	DE61-01263A	BRACKET-HVC; 0.7ECO PLATFORM,EGI-SECC,T0.	SA	1

## 2. Assy Door

### Exploded View



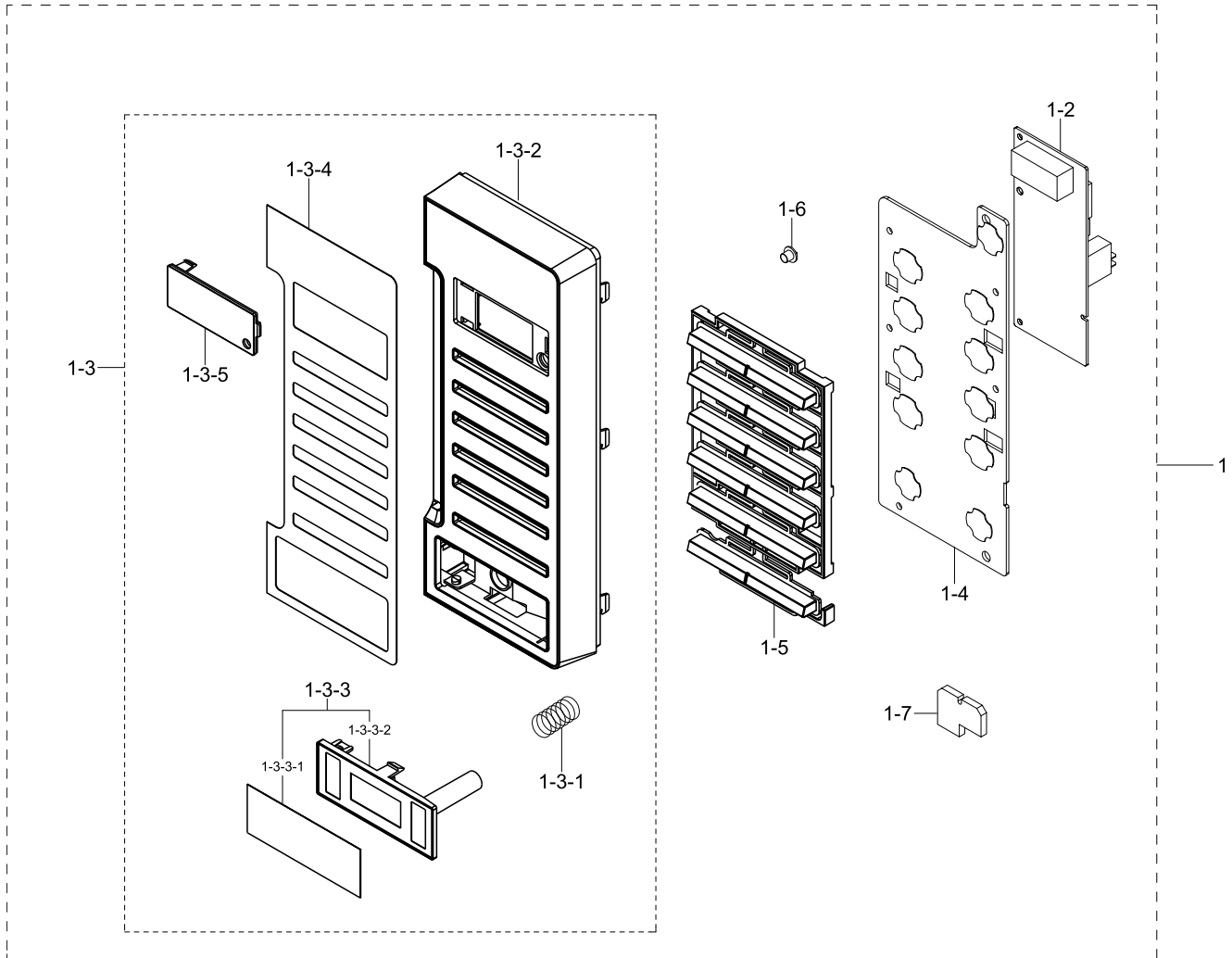
### Parts List

No.	Lvl.	Loc.	Material Code	Description & Specification	SNA	Qty.
1	1	D049	DE94-02898A	ASSY DOOR; GE712MR,HG0760SR,BLACK,Marimba	SA	1
1-1	2	D037	DE94-02893A	ASSY DOOR A; ME73MR,HG0760SR,BLACK,MARIMB	SA	1
1-1-1	3	Z779	DE64-02623A	INLAY-DOOR; MARIMBA,STAINLESS-ST5430,T0.4	SA	1
1-1-2	3	D002	DE64-02621A	DOOR A; ME73MR,ABS,BLACK,Marimba	SNA	1
1-2	2	D004	DE94-02262C	ASSY DOOR E-COATING; MW73B/XEF,EGI-SECC T	SA	1
1-2-1	4		DE61-01269B	BRACKET DOOR HINGE-UPPER; MW73B/XEF,CR-SP	SNA	1
1-2-2	4		DE61-01270B	BRACKET DOOR HINGE-LOWER; MW73B/XEF,CR-SP	SNA	1
1-3	2	D005	DE64-00221E	FILM DOOR; -,CE2877N,PET,T0.15,W143,L264,	SNA	1

No.	Lvl.	Loc.	Material Code	Description & Specification	SNA	Qty.
1-4	2	D007	DE61-00198A	SPRING KEY; M1877,HSWR-SWRH,PI0.7,D6,24 1	SNA	1
1-5	2	D006	DE64-02354A	DOOR C; 0.7ECO PLATFORM,PP,-,HB,T332,BLAC	SNA	1
1-6	2	D024	DE64-02616A	SCREEN DOOR-B; ME712MR,SAN,black,Marimba	SNA	1
1-7	2	D011	DE64-02355A	KEY DOOR; 0.7ECO PLATFORM,POM,BLACK	SA	1

### 3. Assy Control Box

#### Exploded View



#### Parts List

No.	Lvl.	Loc.	Material Code	Description & Specification	SNA	Qty.
1	1	C082	DE94-02918A	ASSY CONTROL BOX; GE87M/XEF,BLACK,ABS,0.8	SNA	1
1-2	2	F316	DE92-02894E	ASSY PCB MAIN; LED,RCS-SMS3L-214,Y,LNK305	SA	1
1-3	2		DE94-02916A	ASSY CONTROL PANEL-(TACT); GE87M/XEF,BLAC	SA	1
1-3-1	3	R014	DE61-70076A	SPRING-BUTTON; HSWR-SWRH,PI0.6,OD19,L23,5	SNA	1
1-3-2	3	C005	DE64-02663A	CONTROL-PANEL; GE87M,ABS,BLACK,0.8 MARIMB	SNA	1
1-3-3	3	C206	DE94-02908A	ASSY BUTTON-PUSH; GE712MR/BWT,ABS,STSS,SP	SA	1

No.	Lvl.	Loc.	Material Code	Description & Specification	SNA	Qty.
1-3-3-1	4	C207	DE64-02624A	INLAY-BUTTON; MARIMBA,STAINLESS-ST5430,T0	SNA	1
1-3-3-2	4	C007	DE64-02617A	BUTTON PUSH; ME73MR,ABS,NEO STS SILVER,Ma	SNA	1
1-3-4	3		DE64-02668A	INLAY PANEL; GE87M,STAINLESS-ST5430,T0.3,	SNA	1
1-3-5	3	C009	DE64-02664A	WINDOW-DISPLAY; GE87M,SAN,BLACK,0.8 MARIM	SNA	1
1-4	2	C084	DE96-00989A	ASSY KEY MODULE; GE87M/XEF,DKM-GE87M,MARI	SA	1
1-5	2		DE64-02666A	BUTTON SELECT-A; GE87M,ABS,SILVER,0.8 MAR	SA	1
1-6	2	C035	DE64-02667A	BUTTON-CLOCK; GE87M,ABS,BLACK,0.8 MARIMBA	SNA	1
1-7	2	C058	DE63-00302A	CUSHION-PCB; PUR FOAM,T5.0,W102,L78,BLACK	SNA	1