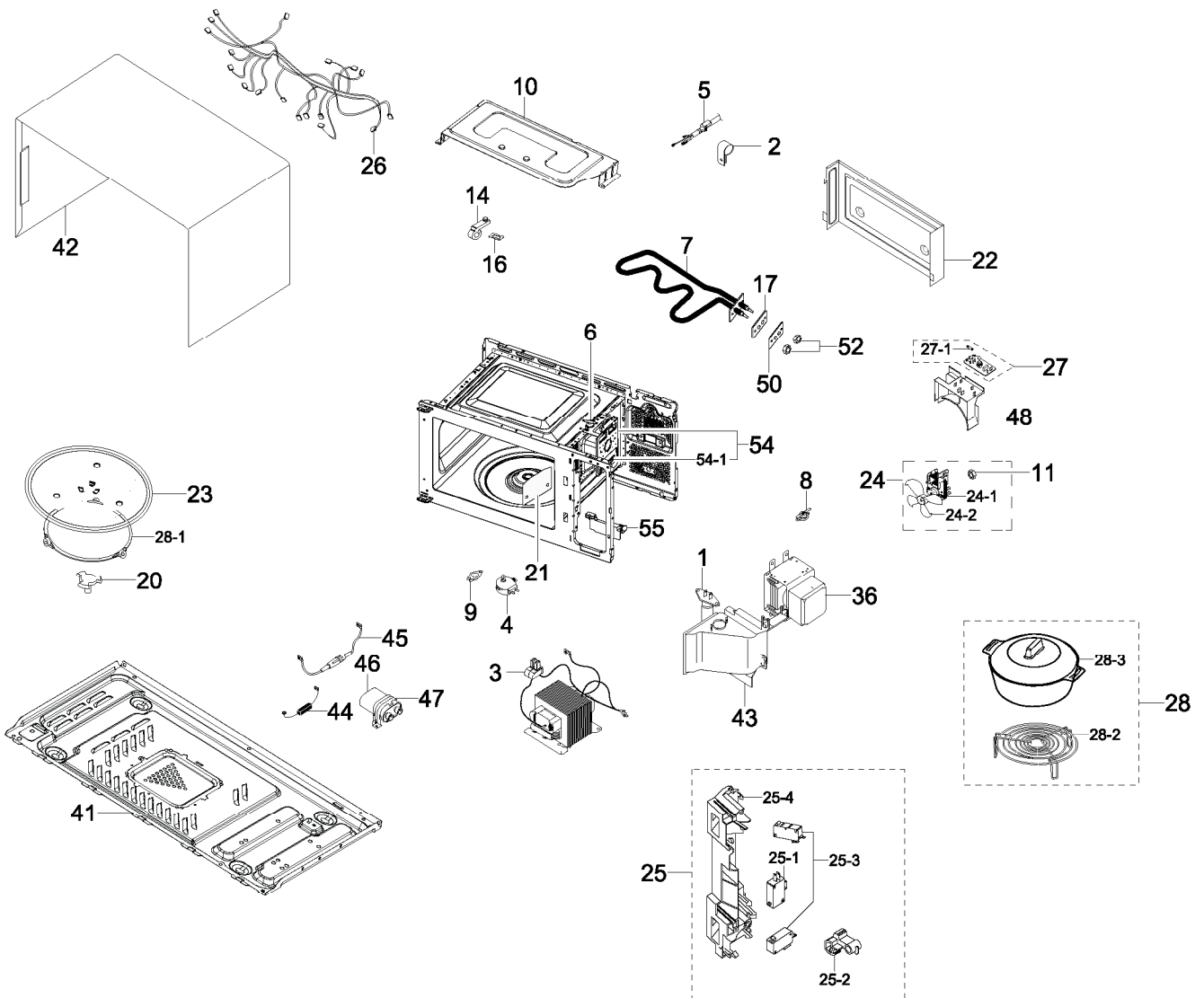


1. MAIN

Exploded View

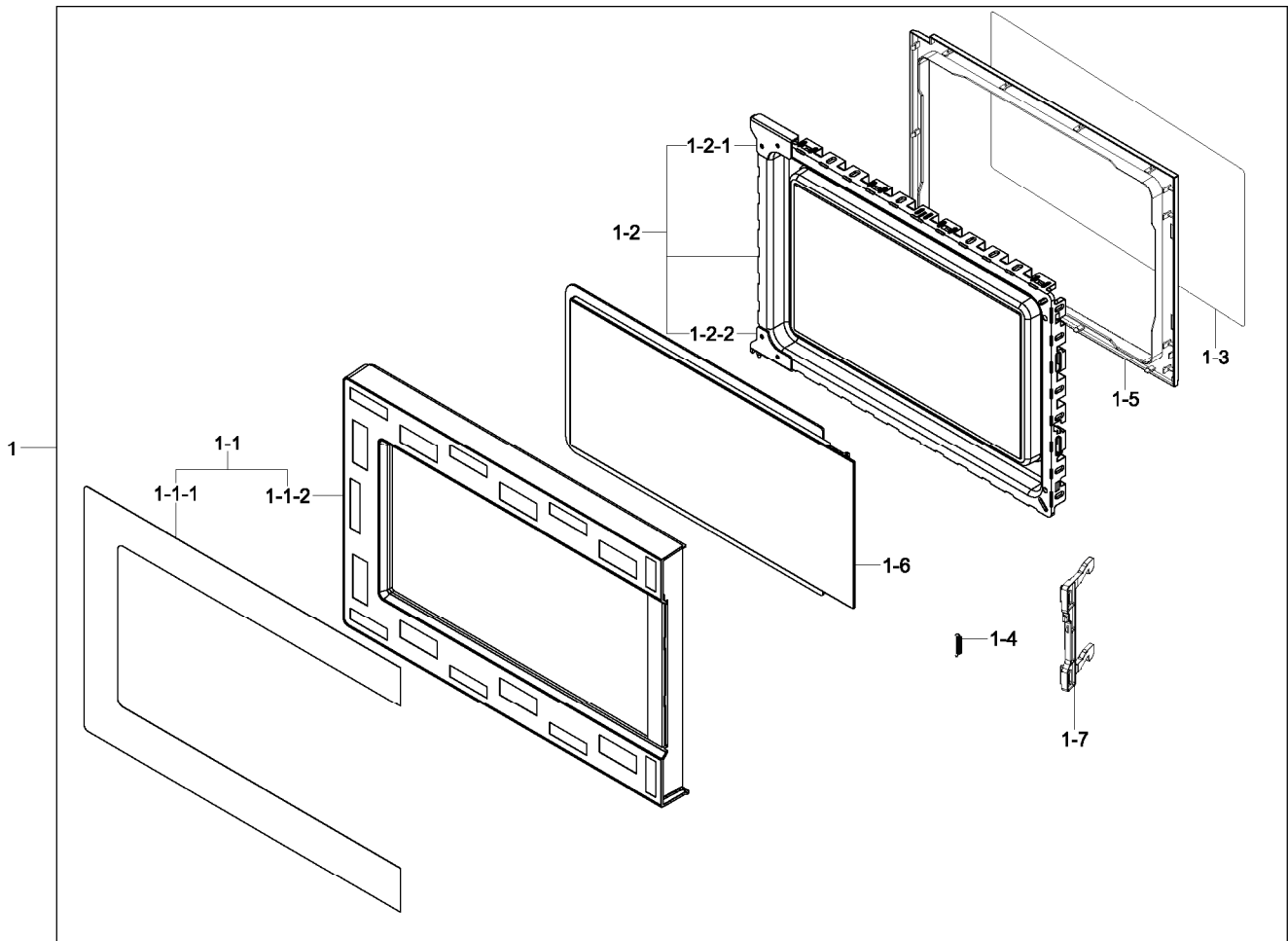


Parts List

No.	Lvl.	Loc.	Material Code	Description & Specification	SNA	Qty.
1	2	M036	4713-001524	LAMP-INCANDESCENT; 230V,20W	SA	1
2	2	M483	DE65-20014A	CABLE CLAMP; NY-66,DA-6N	SA	1
3	2	M038	DE26-00144A	TRANS H.V; SHV-EURO4-1,230V,50Hz,2380V/3.	SA	1
4	2	M049	DE31-10154D	MOTOR SYNCHRONOUS; SSM-16H,CMO,FREE,5/6 R	SA	1
5	1	M015	DE96-00385E	ASSY POWER CORD; CEE,Straight,250V/10A,H0	SA	1
6	2	M447	DE47-20010A	THERMOSTAT; NT-101,125/250V,1205,6015	SA	1
7	2	H061	DE47-00016A	HEATER SHEATH; SHG-2638E,-,-,1100W(1080W)	SA	1
8	2	M436	DE47-20009A	THERMOSTAT; NT-101,125/250V,150(1607,60	SA	1

2. ASSY DOOR

Exploded View

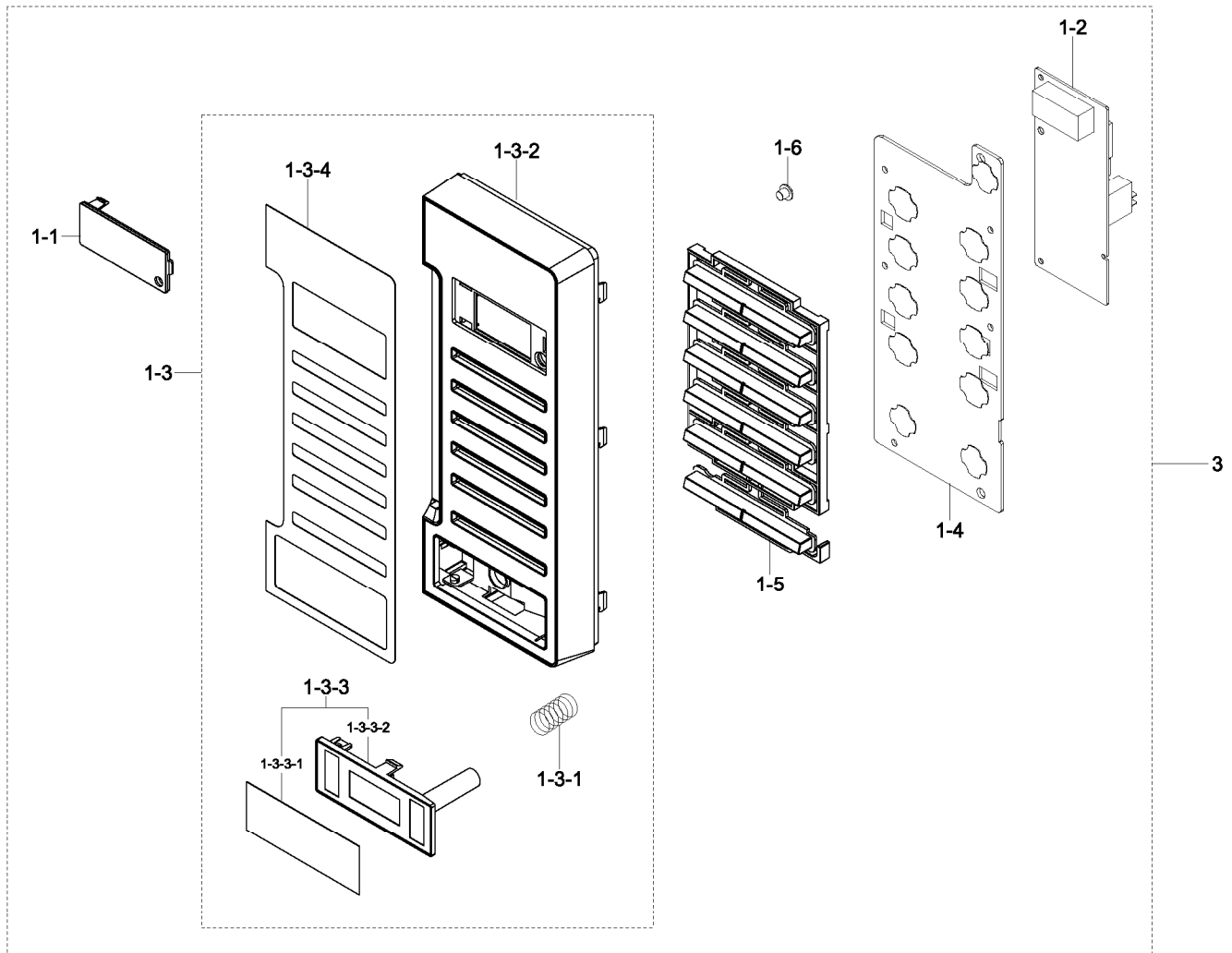


Parts List

No.	Lvl.	Loc.	Material Code	Description & Specification	SNA	Qty.
1	1	D049	DE94-02898A	ASSY DOOR; GE712MR,HG0760SR,BLACK,Marimba	SA	1
1-1	2	D037	DE94-02893A	ASSY DOOR A; ME73MR,HG0760SR,BLACK,MARIMB	SNA	1
1-1-1	3	Z779	DE64-02623A	INLAY-DOOR; MARIMBA,STAINLESS-ST5430,T0.4	SA	1
1-1-2	3	D002	DE64-02621A	DOOR-A; ME73MR,ABS,BLACK,Marimba	SNA	1
1-2	2	D004	DE94-02262C	ASSY DOOR E-COATING; MW73B/XEF,GA T0.5,BL	SA	1
1-2-1	4		DE61-01269B	BRACKET-DOOR HINGE-UPPER; MW73B/XEF,CR-SC	SA	1
1-2-2	4		DE61-01270B	BRACKET-DOOR HINGE-LOWER; MW73B/XEF,CR-SC	SA	1
1-3	2	D005	DE64-00221E	FILM-DOOR; -,CE2877N,PET,T0.15,W143,L264,	SA	1

3. ASSY CONTROL BOX

Exploded View



Parts List

No.	Lvl.	Loc.	Material Code	Description & Specification	SNA	Qty.
1-1	3	C009	DE64-02664A	WINDOW-DISPLAY; GE87M,SAN,BLACK,0.8 MARIM	SNA	1
1-2	2	F316	DE92-02894E	ASSY PCB MAIN; LED,RCS-SMS3L-214,Y,LNK305	SA	1
1-3	2		DE94-02916A	ASSY CONTROL PANEL-(TACT); GE87M/XEF,BLAC	SNA	1
1-3-1	3	R014	DE61-70076A	SPRING-BUTTON; HSWR-SWRH,PI0.6,OD19,I,23.5	SA	1
1-3-2	3	C005	DE64-02663A	CONTROL-PANEL; GE87M,ABS,BLACK,0.8 MARIMB	SNA	1
1-3-3	3	C206	DE94-02908A	ASSY BUTTON-PUSH; GE712MR/BWT,ABS,STSS,SP	SNA	1