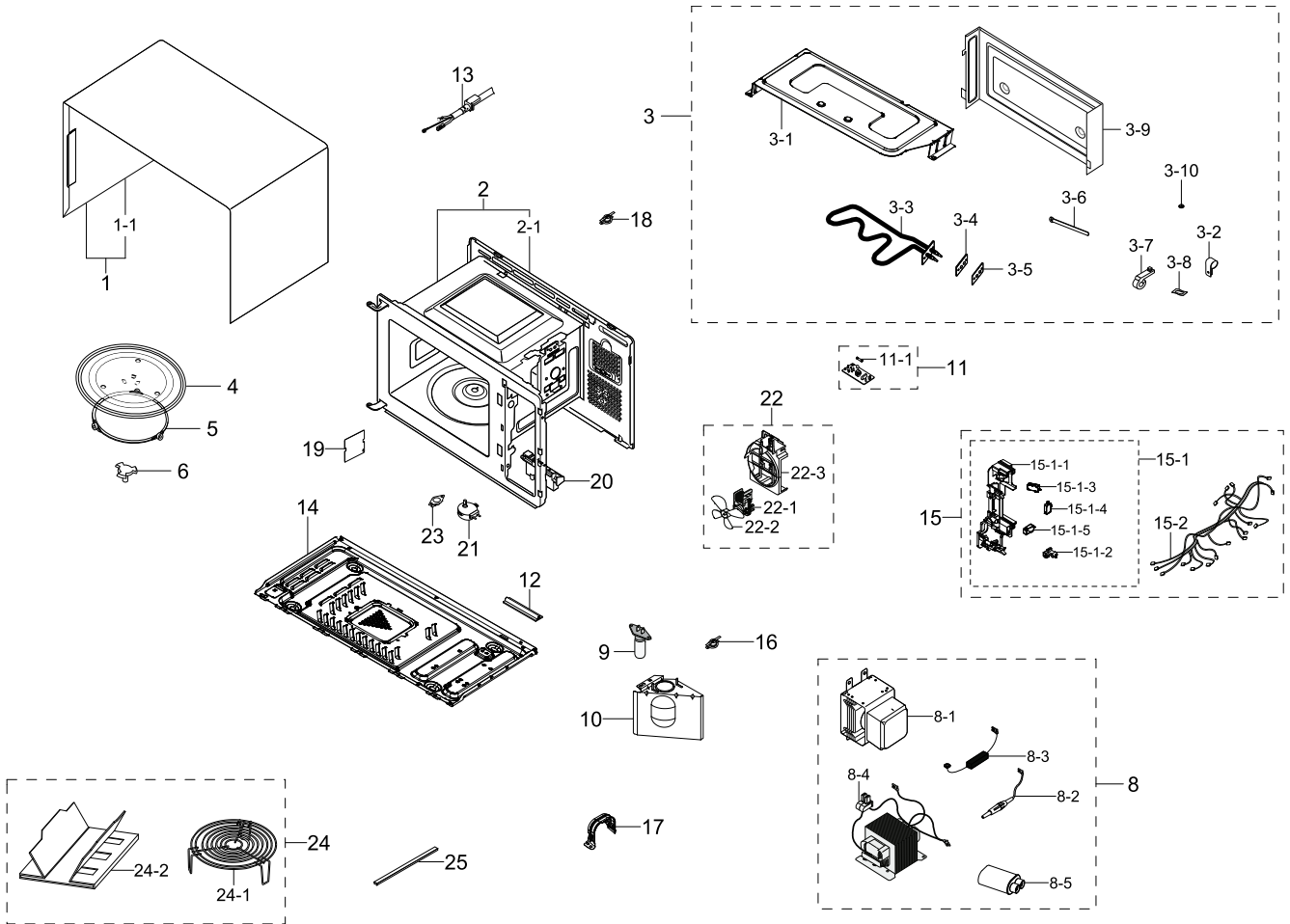


1. GE711K/XEC_2

Exploded View



Parts List

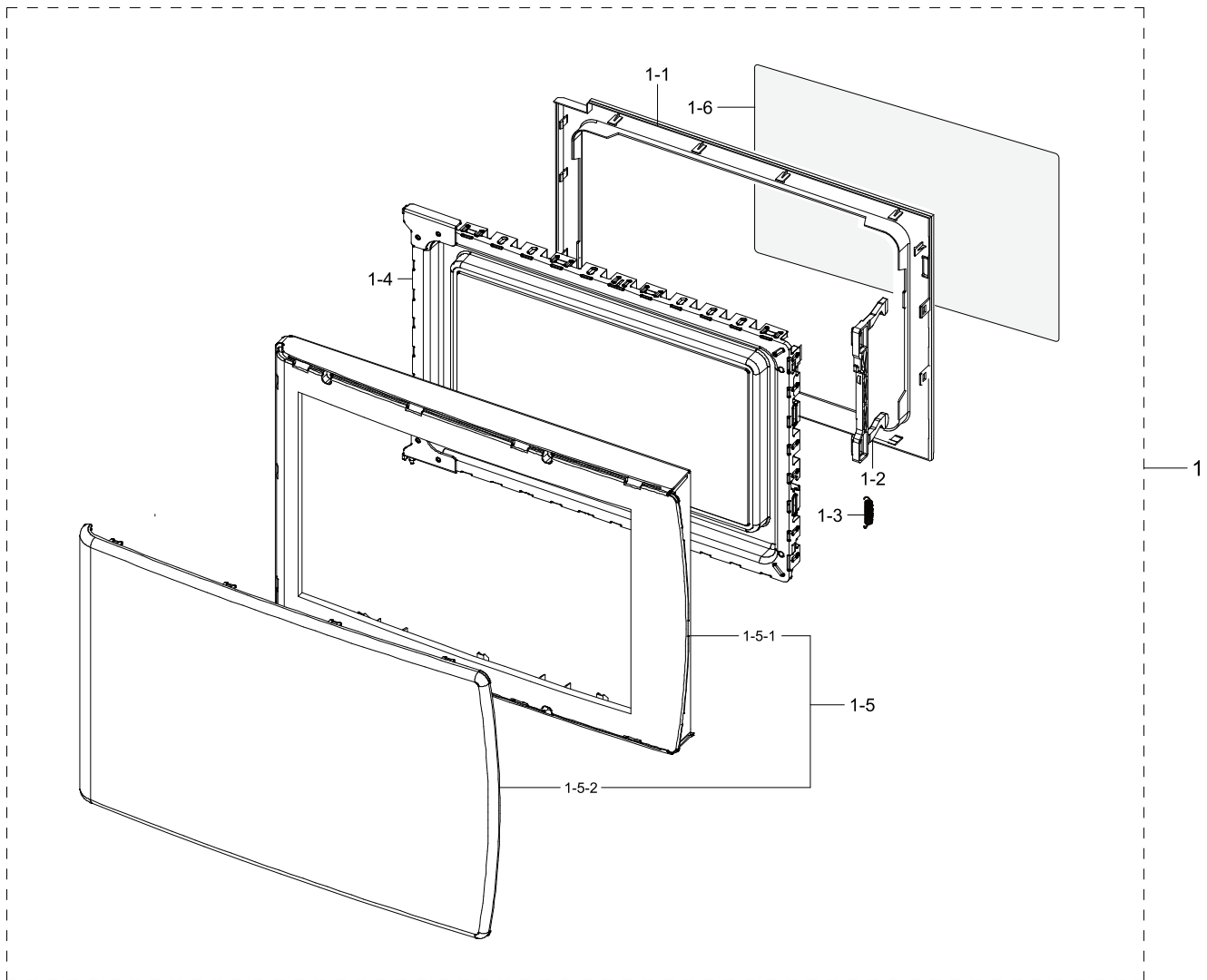
No.	Lvl.	Loc.	Material Code	Description & Specification	SNA	Qty.
1	1	M001	DE64-02356B	PANEL OUTER; 0.7ECO PLATFORM,EGI-SECC,T0.	SA	1
1-1	2		DE64-02356A	PANEL OUTER-PRESS; 0.7ECO PLATFORM,EGI-SE	SNA	1
2	1	P141	DE94-02856A	ASSY CAVITY-COATING; GE73AR,0.7 FIXED GRI	SNA	1
2-1	2	Z778	DE94-02855A	ASSY CAVITY-WELDING; GE73AR,0.7 FIXED GRI	SNA	1
3	1		DE90-01012A	ASSY GRILL PARTS; GE73AR,0.7 FIXED GRILL,	SNA	1
3-1	2	M003	DE61-01318A	BRACKET-UPPER(GRILL); 0.8 Chic,EGI-SECC,T	SA	1
3-2	2	M483	DE65-20014A	CABLE CLAMP; NY-66,DA-6N	SNA	1
3-3	2	H061	DE47-00016A	HEATER SHEATH-GRILL; AC230V,BKT,1100W(108	SA	1
3-4	2	M008	DE63-00049B	GASKET-HEATER; BRASS,T1.0,NATURAL	SNA	1
3-5	2	M012	DE61-01529A	BRACKET HEATER; 1.1 CELLO,EGI-SECC,T0.8	SNA	1
3-6	2	M480	6502-001085	CABLE CLAMP; DALC-4,ID5.3,T0.5,GA-SGCC,BL	SNA	1
3-7	2	M535	DE61-30008A	SUPPORT HEATER; GE87H/BAL,ALUMINA,T12,W11	SNA	1
3-8	2	M005	DE61-70060A	SPRING-PLATE; SK5,T0.5	SNA	1

Exploded Views and Parts List

No.	Lvl.	Loc.	Material Code	Description & Specification	SNA	Qty.
3-9	2	P186	DE63-00644A	COVER BACK; 0.7ECO PLATFORM,GI-SGCC,T0.4,	SNA	1
3-10	2	H024	DE60-30016A	NUT FLANGE; MSWR-SWRM,MSWR10	SNA	2
4	2	T001	DE74-00027A	TRAY COOKING; NC2000,NC06,GLASS,T5,255mm,	SA	1
5	2	T165	DE94-02266D	ASSY GUIDE ROLLER; MW73BR/BWT (ECO),SPS,T	SA	1
6	2	M034	DE67-00258A	COUPLER; 0.7ECO PLATFORM,PPS,BROWN,0103-0	SA	1
8	1		DE96-00902A	ASSY-POWER PACK; MW731KR,SOFT1	SNA	1
8-1	2	M035	OM75S(31)ESG	ASSY-MGT; ASSY-MGT		1
8-2	2	M042	DE96-00831A	ASSY H.V.FUSE; 5KV,650mA,Case-Cover,GRY,#	SA	1
8-3	2	M527	DE59-00002A	DIODE-H.V; MWO,2CL4512H/CL04-12A,500mA,12	SA	1
8-4	2	M038	DE26-00160A	TRANS H.V; SHV-EPT06A,230V,2280V/3.85V,AL	SA	1
8-5	2	M039	2501-001016	C-OIL HIGH VOLTAGE; 950nF,2100V,BK,34x54x	SA	1
9	2	M036	4713-001524	LAMP-INCANDESCENT; 22x53,BK,20,230,CLEAR,	SA	1
10	2	M037	DE63-00651A	COVER AIR; 0.7ECO PLATFORM,GI-SGCC,T0.4	SA	1
11	2	M017	DE96-00822B	ASSY NOISE FILTER; SN-ESMB,250V/10A,250V/	SA	1
11-1	3	M019	3601-001197	FUSE-CARTRIDGE; 250V,15A,SLOW-BLOW,CERAMI	SA	1
12	2		DE66-00219A	WIRE-BAND; ALL CMO MODEL,PP,,,,,,,,,T0.9	SNA	1
13	1	M015	DE96-00385E	CBF-POWER CORD; AT,EUROPE,EU3S,,,Gray,11	SA	1
14	2	M048	DE61-01262A	BASE PLATE; 0.7ECO PLATFORM,GI-SGCC,T0.5	SNA	1
15	1		DE94-03454A	ASSY HOLDER; MWO MODEL,DE96-00832C+DE94-0	SNA	1
15-1	2	B022	DE94-02265E	ASSY BODY LATCH; ECO PUSH BUTTON,1A DOOR	SA	1
15-1-1	3	B076	DE66-00225A	LATCH BODY; 0.7/0.8 ECO PLATFORM,PP,WHITE	SNA	1
15-1-2	3	L0001	DE66-00234A	LEVER SWITCH; MW73B,POM,NC0001,F20-03,WHI	SNA	1
15-1-3	3	B046	3405-001032	SWITCH-MICRO; 125/250VAC,16A,200gf,SPDT,T	SA	1
15-1-4	3	B048	3405-001034	SWITCH-MICRO; 125/250VAC,16A,200gf,SPST-N	SA	1
15-1-5	3	S0021	3405-001116	SWITCH-MICRO; 125/250VAC,1A,200gf,SPST-NO	SA	1
15-2	2	W002	DE96-00832C	ASSY WIRE HARNESS-A; 0.7 S_Grill Mech,230	SA	1
16	2	M436	DE47-20009A	THERMOSTAT; 125/250V,15/7.5A,150,60,NORMA	SA	1
17	2	M040	DE61-01263A	BRACKET-HVC; 0.7ECO PLATFORM,EGI-SECC,T0.	SA	1
18	2	M447	DE47-20010A	THERMOSTAT; 125/250V,15/7.5A,120,60,NORMA	SA	1
19	2	M051	DE71-00159A	COVER-CEILING; CN2835,MICA SHEET,T0.3,W11	SA	1
20	2	M099	DE66-00226A	LEVER DOOR; 0.7ECO PLATFORM,PP,WHITE	SA	1
21	2	M049	DE31-10154D	MOTOR AC DRIVE; 8,21V,50/60Hz,3W,5/6rpm	SA	1
22	2	M020	DE96-00848E	ASSY MOTOR FAN; GE73M/XEO,230V50HZ,2450R.	SA	1
22-1	3	M023	DE31-10185A	MOTOR AC FAN; SMF-3RDEA1,2,230V,50Hz,20W,	SA	1
22-2	3	H099	DE31-90057A	BLADE-FAN; 3RD-W,PP,T1.5,T1.5	SA	1
22-3	3		DE63-00788A	COVER BLOWER; ECO, NC2K,PP,T1.2,HB,NATURA	SA	1
23	2	M451	DE47-20032B	THERMOSTAT; 125/250V,15/7.5A,85,75,NORMAL	SA	1
24	1		DE94-02437B	ASSY ACCESSORY PARTS; GW733KR-S/BWT,SOFT3	SNA	1
24-1	2	T030	DE74-70071G	RACK WIRE; 0.7 Eco quartz grill,MSWR-SWRM	SA	1
24-2	2		DE69-00191A	PAD-RACK; CE2877N,CB	SNA	1
25	2	P021	DE63-00008J	CUSHION SPONGE; PU FOAM,PUT-FOAM,T4,W8,L1	SNA	1

2. Assy Door

Exploded View

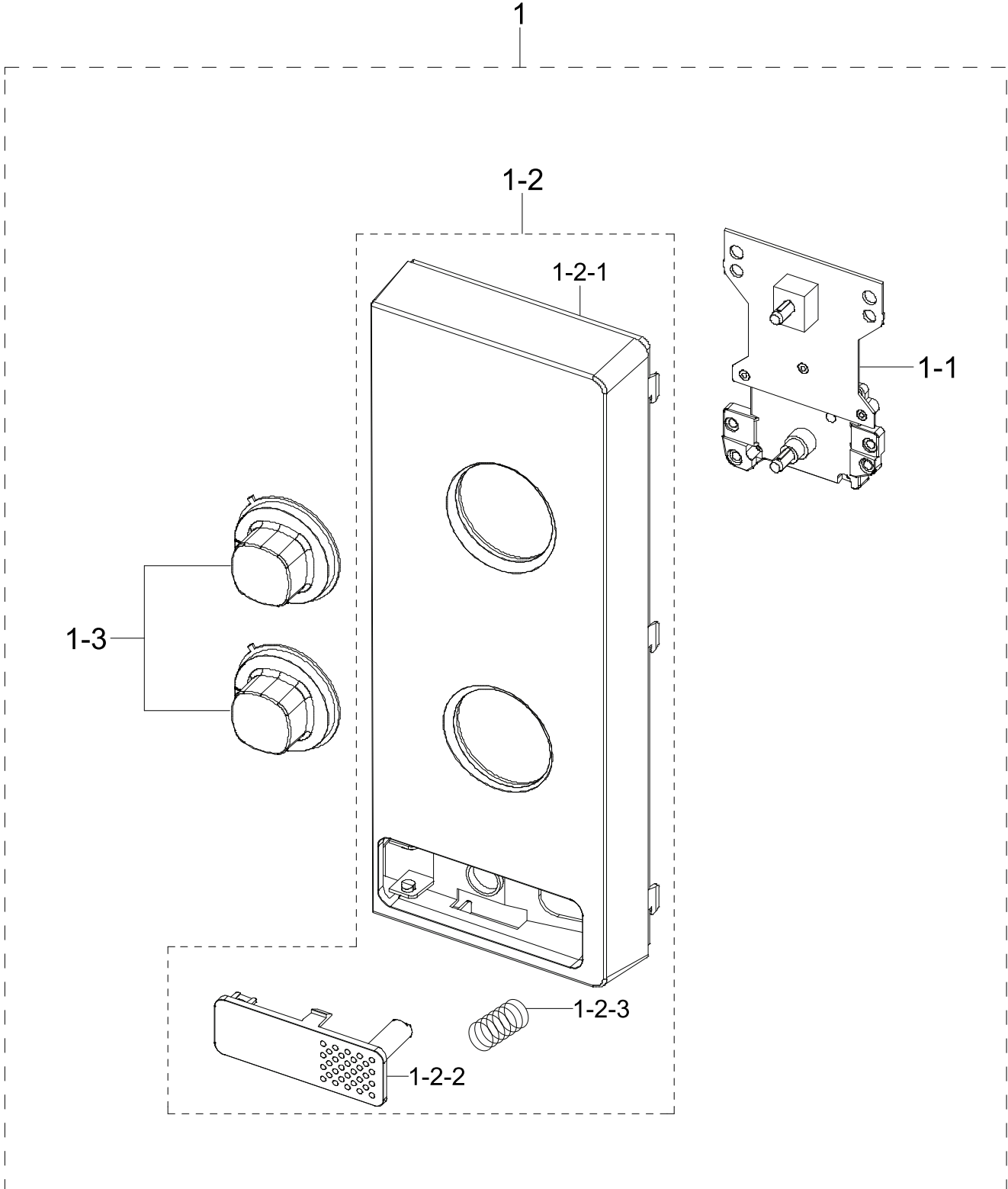


Parts List

No.	Lvl.	Loc.	Material Code	Description & Specification	SNA	Qty.
1	1	D049	DE94-02426F	ASSY DOOR; GE731K/XEC, WHITE, SOFT1	SA	1
1-1	2	D006	DE64-02354A	DOOR C; 0.7ECO PLATFORM, PP, -, HB, T332, BLAC	SNA	1
1-2	2	D011	DE64-02355A	KEY DOOR; 0.7ECO PLATFORM, POM, BLACK	SA	1
1-3	2	D007	DE61-00198A	SPRING KEY; M1877, HSWR-SWRH, PI0.7, D6, 24 1	SNA	1
1-4	2	D004	DE94-02262C	ASSY DOOR E-COATING; MW73B/XEF, EGI-SECC T	SA	1
1-5	2	D037	DE94-02413A	ASSY DOOR A; MW731KR, ABS HG-0760SR, WHITE,	SA	1
1-5-1	3	D002	DE64-02485A	DOOR A; MW731R, ABS, WHITE, SOFT1	SNA	1
1-5-2	3	D024	DE64-02483A	SCREEN DOOR; MW731R, SAN, BLACK, SOFT1	SNA	1
1-6	2	D005	DE64-00221E	FILM DOOR; -, CE2877N, PET, T0.15, W143, L264,	SNA	1

3. Assy Control

Exploded View



Parts List

No.	Lvl.	Loc.	Material Code	Description & Specification	SNA	Qty.
1	1	C082	DE94-02465D	ASSY CONTROL BOX; GW71K/XEC,WHITE,ABS(HG0	SNA	1
1-1	2	F002	DE96-00739A	ASSY-TIMER CONTROL; GW71E,DAM-TCM2-00,-,W	SA	1
1-2	2		DE94-02463D	ASSY CONTROL PANEL-(MECH); GE711K/XEC,WHI	SA	1
1-2-1	3	C375	DE64-02480H	CONTROL-PANEL(MECH); GE711K/XEC,ABS,SOFT1	SNA	1
1-2-2	3	C007	DE64-02482A	BUTTON PUSH; MW731R,ABS,WHITE,SOFT1, SING	SA	1
1-2-3	3	R014	DE61-70076A	SPRING-BUTTON; HSWR-SWRH,PI0.6,OD19,L23,5	SNA	1
1-3	2	C025	DE64-02479B	KNOB; GW711KR,ABS,WHITE,SOFT1	SA	2