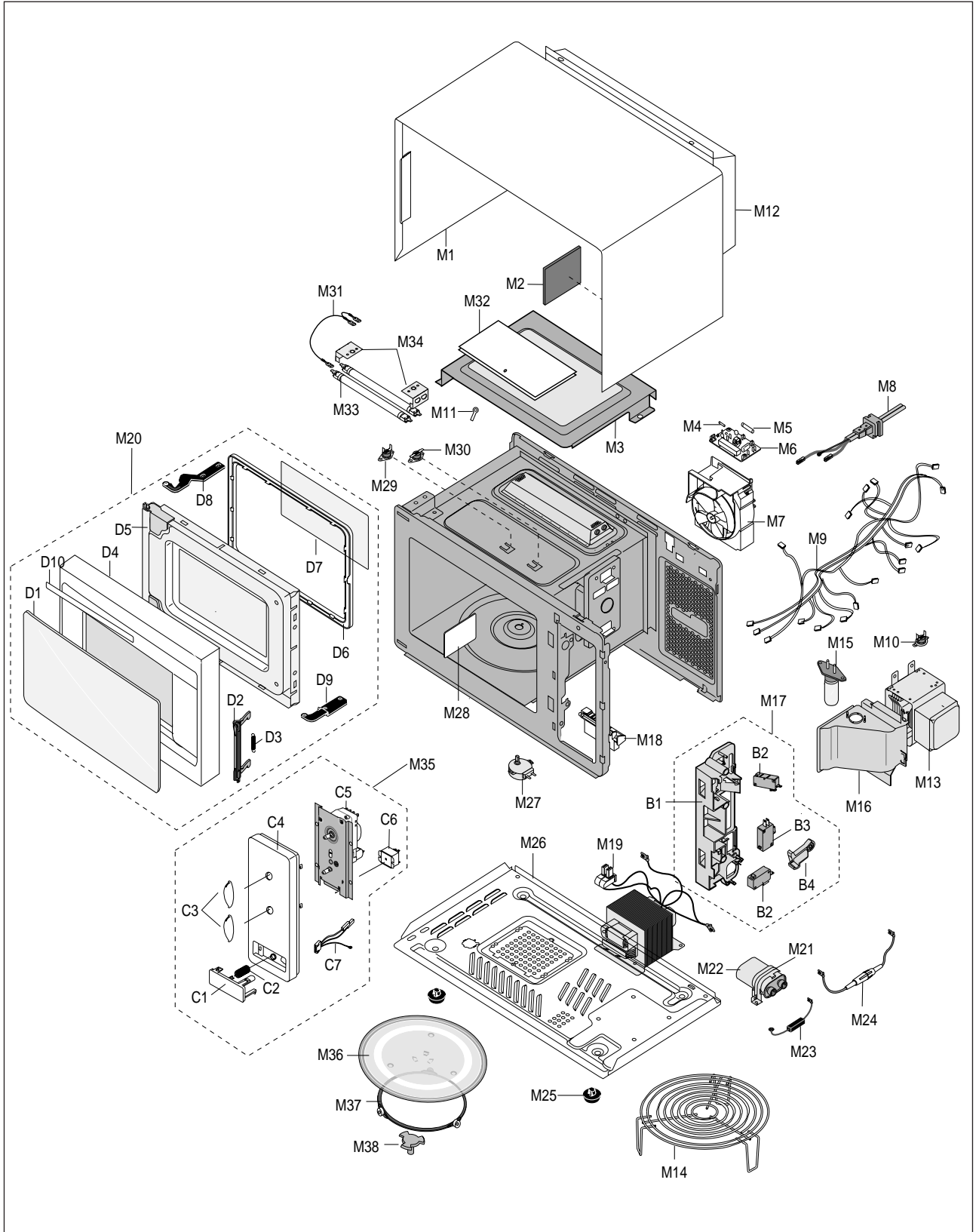


7. Exploded Views and Parts List

7-1 Main Exploded View



7-2 Main Parts List

Ref. No.	Parts No.	Description	Specification	Q'ty	Remarks
M 1	DE70-30116B	PANEL-OUTER	SECC,T0.6,W351.7,L1014.7,WHT-C	1	
M 2	DE63-90035G	CUSHION-RUBBER	DFA20,T2,W190,L100,BLK	1	PN/OUT
M 3	DE61-50323B	BRACKET-UPPER	ALSTER,T0.6,W385,L205,G643C	1	
M 4	3601-000448	FUSE-FERRULE	250V,10A,SB,CERAMIC,6.35X31.8MM	1	
M 5	3601-001126	FUSE-FERRULE	250V,1.6A,FA,CERAMIC,5X20MM	1	
M 6	DE91-40095A	ASSY NOISE FILTER	SN-E10D(N),250V,10A,2ND-WD-TYP	1	
M 7	DE31-30031A	ASSY-MOTOR FAN	SMF745EA,230V/50HZ,ASSY-FAN-MO	1	
M 8	DE39-20131A	ASSY POWER CORD	KKDK,230V50HZ,1500,GRAY	1	
M 9	DE39-40544A	WIRE HARNESS-A	230V50HZ,G635C,EURO	1	
M10	DE47-20018A	THERMOSTAT	PW-2N(150/60,187Y,30,250V/7.5A	1	MGT
M11	DE65-20012A	CORD CLAMP	DALC-2-1,SILICON	1	
M12	DE71-60298B	COVER-BACK	COVER+LABEL,-,-,-,CE745G/G64	1	
M13	OM75SH(31)ESSS	ASSY-MAGNETRON	OM75S	1	⚠
M14	DE74-70071B	RACK-WIRE	MSWR3,PI3,PI230,HI80,SNC2	1	
M15	4713-001031	LAMP-INCANDESCENT	230V,173mA,40W,ORG,-,-,25x69mm	1	CV/AIR
M16	DE71-60010A	COVER-AIR	PP(TB53),T1.7,WHT,64G,M745	1	
M17	DE93-20001A	ASSY BODY LATCH	2ND-W1,M97G45/M9745	1	
M18	DE66-90013A	LEVER-DOOR	POM(F20-01),NTR,MW5630T	1	
M19	DE26-10121B	TRANS-H.V	SHV-745EC1,230V,50HZ,KEC,2230V	1	⚠
M20	DE92-40170A	ASSY DOOR	BUTTON,WHT,G643C	1	⚠
M21	DE61-50106A	BRACKET-HVC	SECC,T0.8,W31,L125.8	1	
M22	2501-001105	C-OIL	950nF,2.1KV,BK,54x35x80,20	1	
M23	DE91-70063A	ASSY-HVD	V2M6,PI9.0,0.05MT	1	
M24	DE91-70061B	ASSY-H.V.FUSE	THV060T-0750-H,5KV0.75A,RED	1	
M25	DE61-40017A	FOOT	PP(A353),BLK,MW5630T	2	
M26	DE80-10003A	BASE-PLATE	SGCC1-Z,T0.8,W340,L550,M745	1	
M27	DE31-10154A	MOTOR-SYNCHRONOUS	M2HJ49ZR02,ST-16,50/60HZ	1	
M28	DE71-60011A	COVER-MGT	PP,T2.0,WHT,M745	1	
M29	DE47-20033A	THERMOSTAT	PW-2N,80/70,125V15A/250V7.5A,1	1	CV-TCO
M30	DE47-20161A	THERMOSTAT	PW2N(120/110)187Z23.,250V/7.5A	1	GRILL
M31	DE39-30097B	WIRE LEAD-G	L100,MBQ45,GRILL	1	
M32	DE62-90101A	ADIABATIC-UPPER	S/FINE INSULATION,T5.0,W162,L2	1	
M33	DE47-70030D	HEATER-CERAMIC	115V,490W,260HM,6	2	
M34	DE61-50401A	BRACKET-HEATER	ALSTER,T0.5,60,70,M67G45	2	
M35	DE93-30365D	ASSY CONTROL-BOX	G633C/BASIC	1	⚠
M36	DE74-20017A	TRAY-COOKING	GLASS(NEOREX/RE-31),T6,OD288	1	
M37	DE92-90441B	ASSY-GUIDE ROLLER	G645C,D16.5	1	
M38	DE67-60002A	COUPLER	PPS,5GR,BRN,M97G45	1	

⚠ : Warning

● : Option Parts

⚠ : Electrostatically Sensitive Devices

7-3 Assembly Door Parts List

Ref. No.	Parts No.	Description	Specification	Q'ty	Remarks
D 1	DE67-20158A	SCREEN-DOOR	ACRYL,T1.5,W372.5,L197.8,WHT,G	1	▲
D 2	DE64-40006A	DOOR-KEY	POM(TC3005),T2.0,12GR,BLK,CE94	1	
D 3	DE61-70033A	SPRING-KEY	ES,HSWR10,PI0.6,D6.0,L22.3,BLU	1	
D 4	DE64-40252A	DOOR-A	ABS,T2.5,W402,L258,WHT,G643C,-	1	
D 5	DE92-50126D	ASSY DOOR-E	M745,-,BLK,ASSY PURCHASING,-,-	1	
D 6	DE64-40008B	DOOR-C	PP,T1.5,BLK,CE745G,-,-,-	1	
D 7	DE01-00003A	FILM-DOOR	PE-FILM,T0.15,W142,L262,M745,-	1	
D 8	DE61-80005A	HINGE-UPPER	SCP1,T2.3,ZN-COATIN,M745,-,-,-	1	
D 9	DE61-80004A	HINGE-LOWER	SCP1,T2.3,ZN-COATING,M745,-,-,	1	
D10	DE02-00125A	TAPE-DOUBLE FACE	ACRYL,T0.45,W9,WHT,WF103,#4420	0.6	DOOR/A

7-4 Assembly Control Box Parts List

Ref. No.	Parts No.	Description	Specification	Q'ty	Remarks
C 1	DE66-20171A	BUTTON-PUSH	ABS,WHT,G643C	1	
C 2	DE61-70076A	SPRING-BUTTON	HSWR,PI0.6	1	
C 3	DE64-10122A	KNOB	ABS,WHT,5G,G633C	2	
C 4	DE72-70165D	CONTROL-PANEL	ABS(HR0370U)W9501,180,WHT,G633	1	
C 5	DE45-10075A	TIMER-ASSY	TMFF60MTN1,220/240V,240-GRILL-	1	
C 6	3501-000309	RELAY-POWER	240V,3750VA,15A,-,6mS,20mS	1	
C 7	DE39-40545A	WIRE HARNESS-B	230V50HZ,G635C	1	

7-5 Assembly Body Latch Parts List

Ref. No.	Parts No.	Description	Specification	Q'ty	Remarks
B 1	DE66-40001A	LATCH-BODY	POM(F20-02),40GR,NTR	1	
B 2	3405-000178	SWITCH-MICRO	250V,15A,200gf,SPST-NO	2	
B 3	3405-000175	SWITCH-MICRO	250V,15A,200gf,SPST-NO	1	
B 4	DE66-90001A	LEVER-SWITCH	P.O.M(F20-02),2,6,NTR,2ND-W-P/	1	

7-6 Standard Parts List

Parts No.	Description	Specification	Q'ty	Remarks
DE60-10012A	SCREW-TAP TITE	TH,+,3,M4,L10,SWR10,ZPC2,TOOTH	1	B/UPP
DE60-10012A	SCREW-TAP TITE	TH,+,3,M4,L10,SWR10,ZPC2,TOOTH	1	P-C-EA
DE60-10059A	SCREW-TAP TH	TH,M4,L8,SUS410,CR	2	B/HEAT
DE60-10080A	SCREW-WASHER	M5,L12,2S	4	HVT
DE60-10080A	SCREW-WASHER	M5,L12,2S	4	MGT
DE60-10082H	SCREW-A	2S-4X12,TOOTHED	2	B-PLTE
DE60-10082H	SCREW-A	2S-4X12,TOOTHED	2	B/UPP
DE60-10082H	SCREW-A	2S-4X12,TOOTHED	2	BD-LAT
DE60-10082H	SCREW-A	2S-4X12,TOOTHED	1	BKT-GRI
DE60-10082H	SCREW-A	2S-4X12,TOOTHED	2	CN-BOX
DE60-10082H	SCREW-A	2S-4X12,TOOTHED	1	CV/AIR
DE60-10082H	SCREW-A	2S-4X12,TOOTHED	2	MO/FAN
DE60-10082H	SCREW-A	2S-4X12,TOOTHED	5	PN/OUT
DE60-10098A	SCREW-ASSY TAP TITE	PH,TC,M4X8,SWRCH18A,ZPC2,GLD,W	1	CV-TCO
DE60-10098A	SCREW-ASSY TAP TITE	PH,TC,M4X8,SWRCH18A,ZPC2,GLD,W	2	M/DRIV
DE60-10098A	SCREW-ASSY TAP TITE	PH,TC,M4X8,SWRCH18A,ZPC2,GLD,W	2	MG-TCO
DE60-10195A	SCREW-STAR POLE	TH,*,2,4,12,SWCH18A,ZNC	2	C/BACK
DE60-20063A	BOLT-FLANGE	M4,10,ZPC3,YEL,MSWR	2	HI-LOW
DE60-20063A	BOLT-FLANGE	M4,10,ZPC3,YEL,MSWR	2	HI-UPP
DE60-10012A	SCREW-TAP TITE	TH,+,3,M4,L10,SWR10,ZPC2,TOOTH	1	B-PLATE
DE60-10033A	SCREW-TH	TH,+,M4,L10,MSWR10,FEFZY	1	-
DE60-10069A	SCREW-TAP TH	TH,M4,L10,FRFZY	4	-