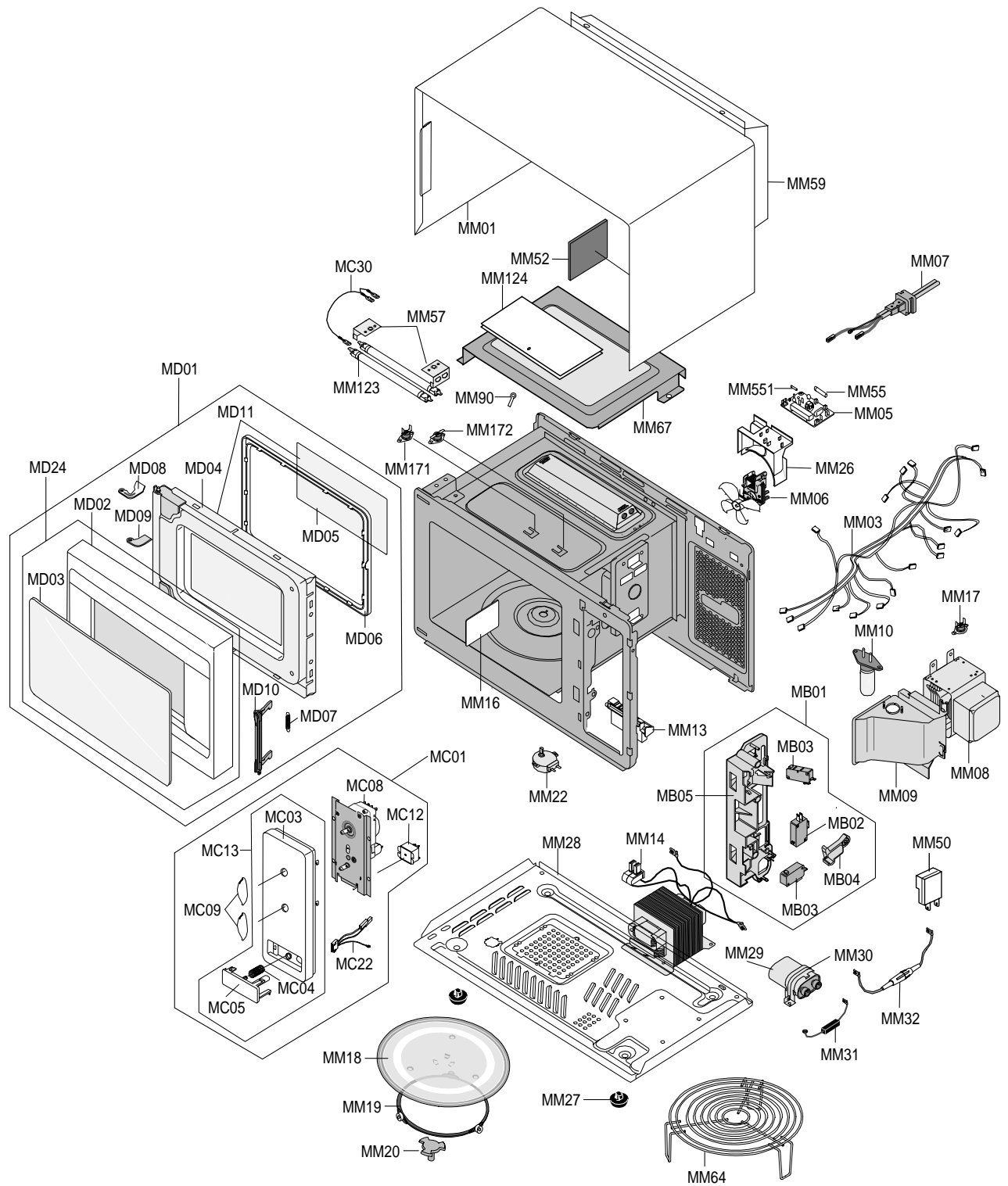


7. Exploded Views and Parts List

7-1 Exploded Views



7-2 Main Parts List

No.	Code No.	Description	Specification	Q'ty	Remark
MB01	DE93-20001A	ASSY BODY LATCH	2ND-W1,M97G45/M9745,-,-,-	1	
MB02	3405-000175	SWITCH-MICRO	250V,15A,200gf,SPST-NO	1	
MB03	3405-000178	SWITCH-MICRO	250V,15A,200gf,SPST-NO	2	
MB04	DE66-90001A	LEVER-SWITCH	P.O.M(F20-02),2,6,NTR,2ND-W-P/	1	
MB05	DE66-40001A	LATCH-BODY	POM(F20-02),40GR,NTR,-,-,-	1	
MM01	DE70-30116B	PANEL-OUTER	M74,SECC,T0.6,W351.7,L1014.7,-,WHT-COAT,-	1	
MM03	DE39-40544A	WIRE HARNESS-A	230V50HZ,G635C,EURO,-,-,-	1	
MM05	DE91-40095A	ASSY NOISE FILTER	SN-E10D(N),250V,10A,2ND-WD-TYP	1	
MM06	DE31-30031A	ASSY-MOTOR FAN	SMF745EA,230V/50HZ,ASSY-FAN-MO	1	
MM07	DE39-20131A	ASSY POWER CORD	KKDK,230V50HZ,1500,GRAY,-,-,-,	1	
MM08	OM75S(31)ERH	ASSY-MAGNETRON:OM75S		1	
MM09	DE71-60010A	COVER-AIR	-,PP(TB53),T1.7,WHT,64G,-,M745,-	1	
MM10	4713-001031	LAMP-INCANDESCENT	230V,173mA,40W,ORG,-,-,25x69mm	1	CV/AIR
MM123	DE47-70030D	HEATER-CERAMIC	115V,490W,26OHM,6,-,-,-,-	2	
MM124	DE62-90101A	ADIABATIC-UPPER	S/FINE INSULATION,T5.0,W162,L2	1	
MM13	DE66-90113A	LEVER-DOOR	PP(TB53-GH41),T2.5,-,-,12g,NTR,3RD-W,-	1	
MM14	DE26-10107A	TRANS-H.V	SHV-745EC1,230V,2230V/3.45V,50	1	
MM16	DE71-60011A	COVER-MGT	-,PP,T2.0,WHT,M745,-,-,-	1	
MM17	DE47-20033A	THERMOSTAT	PW-2N,80/70,125V15A/250V7.5A,1	1	CV-TCO
MM171	DE47-20018A	THERMOSTAT	PW-2N(150/60,187Y,30,250V/7.5A	1	MG-TCO
MM172	DE47-20161A	THERMOSTAT	PW2N(120/110)187Z23.,250V/7.5A	1	GR-TCO
MM18	DE74-20017A	TRAY-COOKING	GLASS(NEOREX/RE-31),T6,-,-	1	
MM19	DE92-90441B	ASSY-GUIDE ROLLER	G645C,D16.5,-,-,-,-	1	
MM20	DE67-60002A	COUPLER	PPS,5GR,BRN,M97G45,-,-,-,-	1	
MM22	DE31-10154A	MOTOR-SYNCHRONOUS	M2HJ49ZR02,ST-16,50/60HZ,-	1	
MM27	DE61-40066A	FOOT	-,PP,-,BLK,-,-,-	2	
MM28	DE80-10003A	BASE-PLATE	-,T0.8,W340,L550,M745,-	1	
MM29	2501-001016	C-OIL	950nF,2.1KV,BK,35x54x80,20mm	1	
MM30	DE61-50106A	BRACKET-HVC	-,SECC,T0.8,W31,L125.8,-,-	1	
MM31	DE91-70063A	ASSY-HVD	V2M6,PI9.0,0.05MT,-,-	1	
MM32	DE91-70061B	ASSY-H.V.FUSE	THV060T-0750-H,5KV/0.75A,RED	1	
MM50	DE27-10020A	COIL-MC CHOKE	TC,101,-,-,-,-	1	
MM52	DE63-90035G	CUSHION-RUBBER	-,DFA20,T2,W190,L100,-,-	1	PN/OUT
MM55	3601-000448	FUSE-CARTRIDGE	250V,10A,SLOW-BLOW,CERAMIC,6.35x31.8mm	1	
MM551	3601-001126	FUSE-CARTRIDGE	250V,1.6A,FAST-ACTING,CERAMIC,5x20mm	1	
MM57	DE61-50401A	BRACKET-HEATER	-,ALSTER,T0.5,60,70,M67G45,-	2	
MM59	DE71-60298A	COVER-BACK	-,SECC,T0.6,W273,L633,-,M6Q45,-	1	
MM64	DE74-70071D	RACK-WIRE	MSWR10,PI3,0.7/NC2000,D230,H85,-,-	1	
MM67	DE61-50323B	BRACKET-UPPER	-,ALSTER,T0.6,W385,L205,G643C,-	1	
MM90	DE65-20012A	CORD CLAMP	-,,-,SILICON,-,DALC-2-1	1	

7-3 Control & Door Parts List

No.	Code No.	Description	Specification	Q'ty	Remark
MC01	-	ASSY CONTROL-BOX	-,G2613C/XEC,PURE-WHT,SESA,-,-,-	1	S.N.A
MC03	DE72-70214R	CONTROL-PANEL-D	G2613C/XEC,ABS(HR0370),PURE-WHT,SESA	1	
MC04	DE61-70076A	SPRING-BUTTON	HSWR,PI0.6,-,-,-,-	1	
MC05	DE66-20281A	BUTTON-PUSH	3RD-W B DESIGN,-,T2x37x86,-,-,15g	1	
MC08	DE45-10075A	TIMER-ASSY	TMFF60MTN1,220/240V,240-GRILL-	1	
MC09	DE64-10162A	KNOB	ABS,-,WHT,-,3RD-W,-	2	
MC12	3501-000309	RELAY-POWER	240V,3750VA,15A,-,6mS,20mS	1	
MC13	DE94-00128R	ASSY CONTROL-PANEL	-,G2613C/XEC,PURE-WHT,SESA,-,-,-	1	
MC22	DE39-40545A	WIRE HARNESS-B	230V50HZ,G635C,-,-,-,-	1	
MC30	DE39-30097B	WIRE LEAD-G	L100,MBQ45,GRILL,-,-,-,-,-	1	
MD01	DE94-00289K	ASSY DOOR	G2613C/XEF,PURE-WHT,2ND-W,S2,S/S+Q/GRIL	1	
MD02	DE64-00125E	DOOR-A	G2613C/XEF,ABS,-,PURE-WHT,-,-,SEF,S/S+Q/GRIL	1	
MD03	DE67-20186A	SCREEN-DOOR	SAN,T2.2,W354,L224,SMOG,3RD-0.7CU.FT,-	1	
MD04	DE92-50133F	ASSY DOOR-E	CE2733(3RD-0.7),BLK-CAOTING,-,2ND-HINGE,-,-,-	1	
MD05	DE01-00112A	FILM-DOOR		1	
MD06	DE64-40008B	DOOR-C	PP,T1.5,BLK,CE745G,-,-,-	1	
MD07	DE61-00198A	SPRING-KEY	M1877,HSWR,D6,-,-,23 1/4,-,T0.7,-,-,NC2000(0.7)	1	
MD08	DE61-80005A	HINGE-UPPER	SCP1,T2.3,ZN-COATIN,M745,-,-,-	1	
MD09	DE61-80004A	HINGE-LOWER	SCP1,T2.3,ZN-COATING,M745,-,-,-	1	
MD10	DE64-40006F	DOOR-KEY	POM(F20-02),-,-,12G,BLK,MW7897G,NO-TALK	1	
MD11	DE94-00124C	ASSY DOOR-SUB	M1714/1774,BLK-COATING,FISH2,-,-,-,-	1	
MD24	DE94-00288F	ASSY DOOR-A	G2613C/XEF,PURE-WHT,SEF,S/S+Q/GRIL	1	

7-4 Standard Parts List

Code No.	Description	Specification	Q'ty	Remark
DE60-10012A	SCREW-TAP TITE	-,SWR10,M4,L10,TH,+,-,3,ZPC2,-	1	B/UPP
DE60-10012A	SCREW-TAP TITE	-,SWR10,M4,L10,TH,+,-,3,ZPC2,-	1	P-C-EA
DE60-10059A	SCREW-TAP TH	-,SUS410,CR,TH,M4,-,L8,-,-	2	B/HEAT
DE60-10080B	SCREW-WASHER	-,2S,SWRCH18A,ZP2,PH,PI5,-,L10,-,-	4	HVT
DE60-10080B	SCREW-WASHER	-,2S,SWRCH18A,ZP2,PH,PI5,-,L10,-,-	4	MGT
DE60-10082H	SCREW-A	-,,-,-,2S-4X12,TOOTHED,-,-,-,-	2	B-PLTE
DE60-10082H	SCREW-A	-,,-,-,2S-4X12,TOOTHED,-,-,-,-	2	B/UPP
DE60-10082H	SCREW-A	-,,-,-,2S-4X12,TOOTHED,-,-,-,-	2	BD-LAT
DE60-10082H	SCREW-A	-,,-,-,2S-4X12,TOOTHED,-,-,-,-	1	BKT-GRI
DE60-10082H	SCREW-A	-,,-,-,2S-4X12,TOOTHED,-,-,-,-	2	CN-BOX
DE60-10082H	SCREW-A	-,,-,-,2S-4X12,TOOTHED,-,-,-,-	1	CV/AIR
DE60-10082H	SCREW-A	-,,-,-,2S-4X12,TOOTHED,-,-,-,-	2	MO/FAN
DE60-10082H	SCREW-A	-,,-,-,2S-4X12,TOOTHED,-,-,-,-	5	PN/OUT
DE60-10098A	SCREW-ASSY TAP TITE	-,GLD,SWRCH18A,ZPC2,PH,TC,-,M4X8,WT,-	1	CV-TCO
DE60-10098A	SCREW-ASSY TAP TITE	-,GLD,SWRCH18A,ZPC2,PH,TC,-,M4X8,WT,-	2	M/DRIV
DE60-10098A	SCREW-ASSY TAP TITE	-,GLD,SWRCH18A,ZPC2,PH,TC,-,M4X8,WT,-	2	MG-TCO
DE60-10195A	SCREW-STAR POLE	-,SWCH18A,4,12,TH,*,-,2,ZNC,-	2	C-BACK
DE60-10195A	SCREW-STAR POLE	-,SWCH18A,4,12,TH,*,-,2,ZNC,-	2	C/BACK
DE60-20063A	BOLT-FLANGE	M4,10,ZPC3,YEL,MSWR,-,-,-,-	2	HI-LOW
DE60-20063A	BOLT-FLANGE	M4,10,ZPC3,YEL,MSWR,-,-,-,-	2	HI-UPP
DE60-10012A	SCREW-TAP TITE	-,SWR10,M4,L10,TH,+,-,3,ZPC2,-	1	C/D/MOTOR
DE60-10069A	SCREW-TAP TH	-,FRFZY,-,TH,M4,-,L10,-,-	1	RELAY
DE60-10082H	SCREW-A	-,,-,-,2S-4X12,TOOTHED,-,-,-,-	4	TIMER