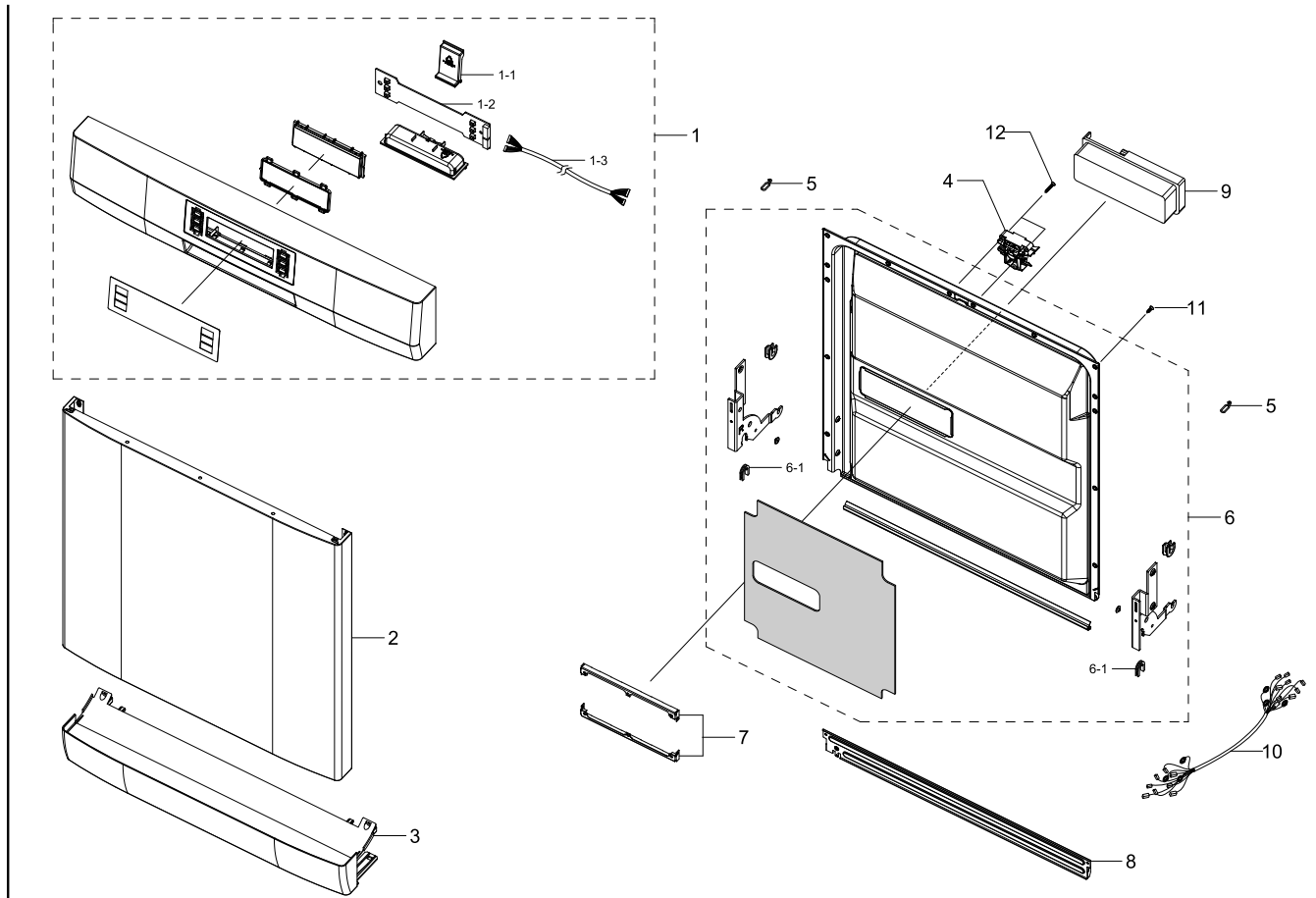


# 1. ASSY DOOR

## Exploded View



## Parts List

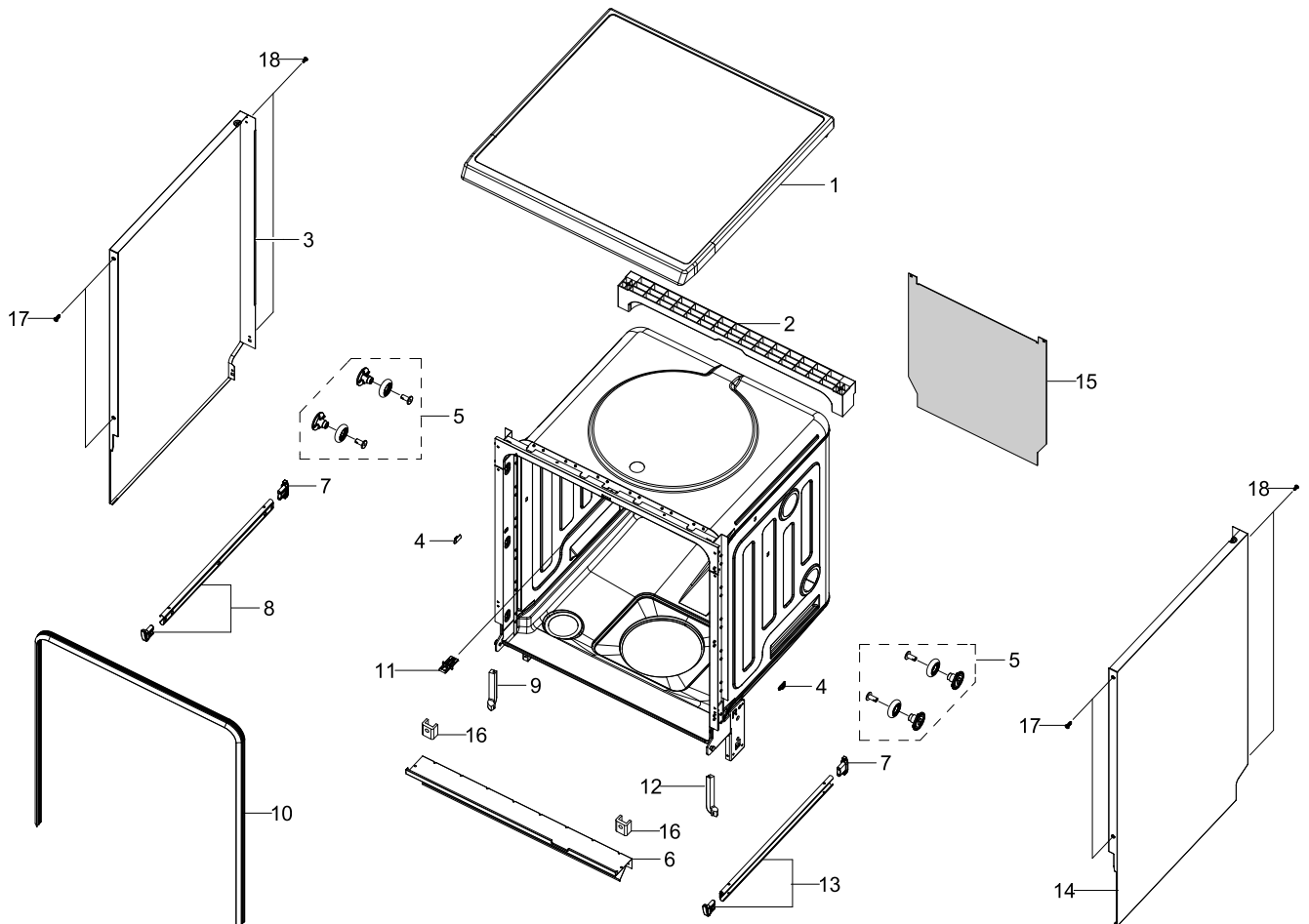
| No. | Lvl. | Loc. | Material Code | Description & Specification                  | SNA | Qty. |
|-----|------|------|---------------|--|-----|------|
| 1   | 1    |      | DD82-01123B   | A/S ASSY-CONTROL PANEL;<br>DWFN310,Silver,23 | SA  | 1    |
| 1-1 | 2    |      | DD81-01359A   | A/S-COVER RETAINING;<br>DWFN320,ABS,67300240 | SA  | 1    |
| 1-2 | 2    |      | DD81-01360B   | A/S-PBA SUB; DWFN310,Display,M24-2           | SA  | 1    |
| 1-3 | 2    |      | DD81-01362A   | A/S-SUB WIRE-HARNESS;<br>DWFN320,67920050025 | SA  | 1    |
| 2   | 1    |      | DD81-01363B   | A/S-DOOR OUTER; DWFN320,STS430,STS,M24       | SA  | 1    |
| 3   | 1    |      | DD81-01364B   | A/S-KICK BOARD;<br>DWFN320,ABS,SILVER,M24    | SA  | 1    |
| 4   | 1    |      | DD81-01365A   | A/S-SWITCH DOOR ASSY;<br>DWFN320,67400030008 | SA  | 1    |
| 5   | 1    |      | DD81-01366A   | A/S-CLIP STRIP FRICTION;<br>DWFN320,67200230 | SA  | 2    |
| 6   | 1    |      | DD82-01051A   | A/S ASSY-INNER DOOR; DWFN320,STS,M24         | SA  | 1    |

## Exploded Views and Parts List

| No. | Lvl. | Loc.   | Material Code | Description & Specification                  | SNA | Qty. |
|-----|------|--------|---------------|--|-----|------|
| 6-1 | 2    |        | DD81-01367A   | A/S-GUIDE DOOR LINK;<br>DWFN320,673001300075 | SA  | 2    |
| 7   | 1    | WP0080 | DD81-01105A   | BRACKET-DISPENSER;<br>DMM,-,Midea9347,2004,- | SA  | 2    |
| 8   | 1    |        | DD81-01368A   | A/S-GEMEL LINK;<br>DWFN320,672001200061,M24  | SA  | 1    |
| 9   | 1    |        | DD81-01106A   | DISPENSER;<br>DMM,AC230V-50/60Hz,Midea9347,2 | SA  | 1    |
| 10  | 1    |        | DD81-01369A   | A/S-MAIN WIRE-HARNESS;<br>DWFN320,6740020000 | SA  | 1    |
| 11  | 1    |        | DD81-01370A   | A/S-SCREW DOOR S;<br>DWFN320,672000900276,M2 | SA  | 12   |
| 12  | 1    |        | DD81-01371A   | A/S-SCREW DOOR LOCK;<br>DWFN320,672000900066 | SA  | 2    |

## 2. ASSY TUB

### Exploded View



### Parts List

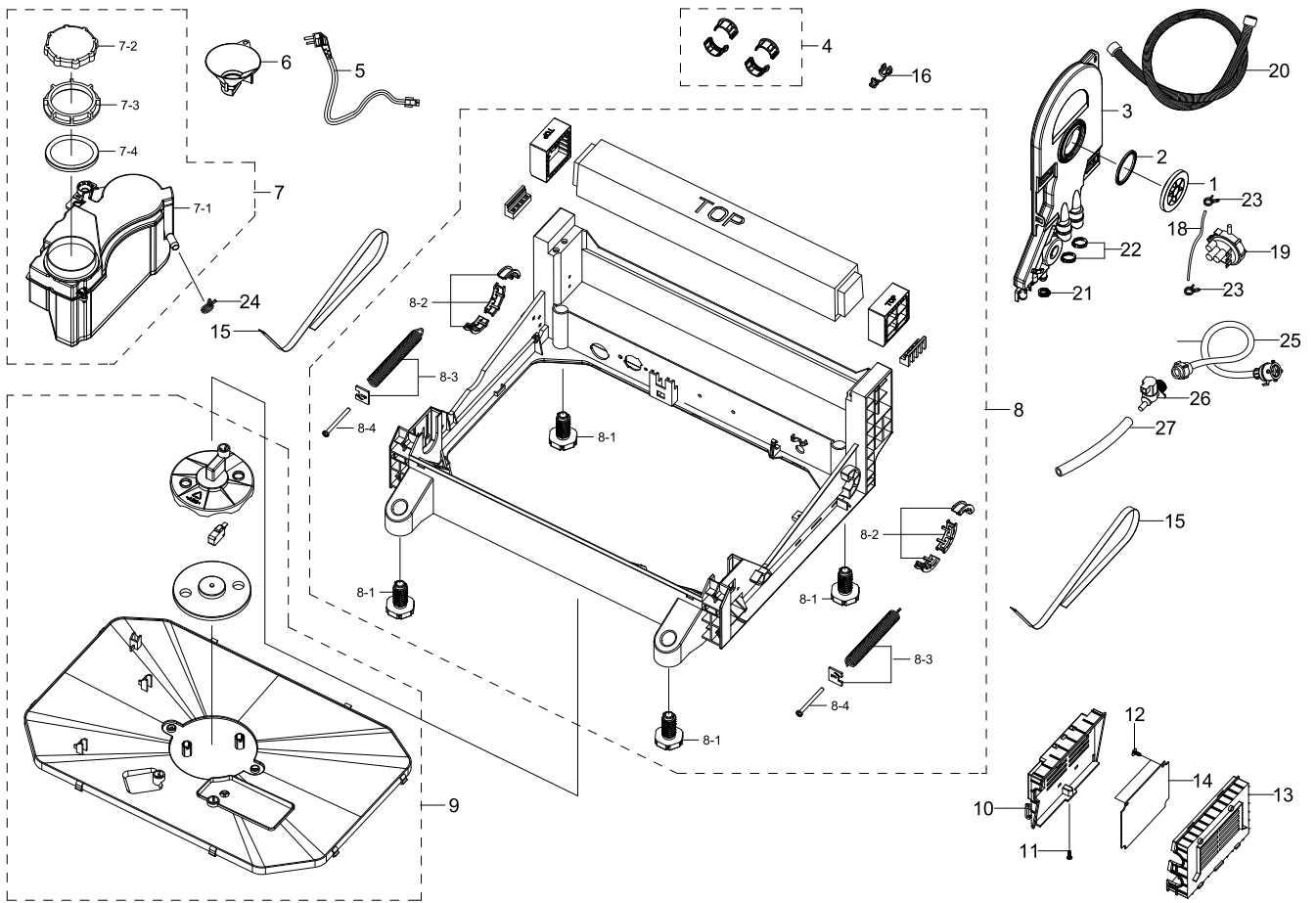
| No. | Lvl. | Loc. | Material Code | Description & Specification                  | SNA | Qty. |
|-----|------|------|---------------|--|-----|------|
| 1   | 1    |      | DD81-01372B   | A/S-TOP PANEL ASSY; DWFN320,SILVER,M24       | SA  | 1    |
| 2   | 1    |      | DD81-01373A   | A/S-REAR CROSSPIECE;<br>DWFN320,673003100010 | SA  | 1    |
| 3   | 1    |      | DD81-01374B   | A/S-SIDE PANEL L; DWFN320,SILVER,M24         | SA  | 1    |
| 4   | 1    |      | DD81-01375A   | A/S-DOOR REVISE CAP;<br>DWFN320,673000910006 | SA  | 2    |
| 5   | 1    |      | DD81-01376A   | A/S-RAIL SUPPORT ASSY;<br>DWFN320,6720017000 | SA  | 4    |
| 6   | 1    |      | DD81-01377A   | A/S-NOISE BOARD;<br>DWFN320,672002300035,SGC | SA  | 1    |
| 7   | 1    |      | DD81-01378A   | A/S-STOPPER RAIL REAR;<br>DWFN320,6730013005 | SA  | 2    |
| 8   | 1    |      | DD81-01379A   | A/S-RAIL BASKET ASSY L;<br>DWFN320,672001700 | SA  | 1    |

## Exploded Views and Parts List

| No. | Lvl. | Loc. | Material Code | Description & Specification                  | SNA | Qty. |
|-----|------|------|---------------|--|-----|------|
| 9   | 1    |      | DD81-01380A   | A/S-TUB SEAL L;<br>DWFN320,673002000131,EPDM | SA  | 1    |
| 10  | 1    |      | DD81-01381A   | A/S-GASKET TUB;<br>DWFN320,673001700109,EPDM | SA  | 1    |
| 11  | 1    |      | DD81-01382A   | A/S-DOOR LOCK HOOK;<br>DWFN320,672001400042, | SA  | 1    |
| 12  | 1    |      | DD81-01383A   | A/S-TUB SEAL R;<br>DWFN320,673002000132,EPDM | SA  | 1    |
| 13  | 1    |      | DD81-01413A   | A/S-RAIL BASKET ASSY R;<br>DWFN320,672001700 | SA  | 1    |
| 14  | 1    |      | DD81-01384B   | A/S-SIDE PANEL R; DWFN320,SILVER,M24         | SA  | 1    |
| 15  | 1    |      | DD81-01385A   | A/S-BACK BOARD;<br>DWFN320,673000102002,M24  | SA  | 1    |
| 16  | 1    |      | DD81-01386A   | A/S-GUIDE NOISE BOARD;<br>DWFN320,6730017001 | SA  | 2    |
| 17  | 1    |      | DD81-01370A   | A/S-SCREW DOOR S;<br>DWFN320,672000900276,M2 | SA  | 12   |
| 18  | 1    |      | DD81-01436A   | A/S-SCREW 4X13; DWFN320,672000900022,P ty    | SA  | 19   |

### 3. ASSY BASE

#### Exploded View



#### Parts List

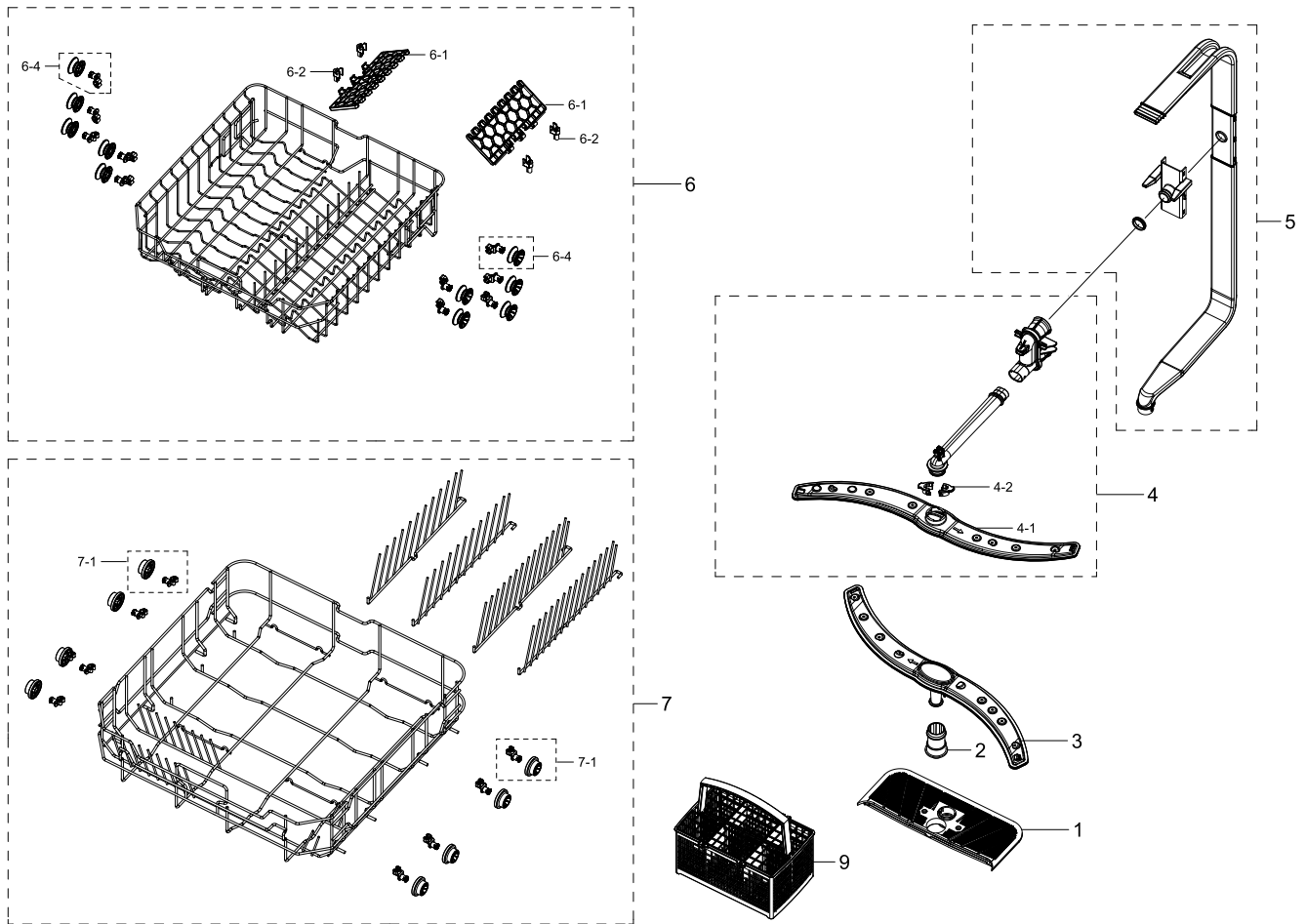
| No. | Lvl. | Loc. | Material Code | Description & Specification                  | SNA | Qty. |
|-----|------|------|---------------|--|-----|------|
| 1   | 1    |      | DD81-01387A   | A/S-AIR BREAKER NUT;<br>DWFN320,673001600058 | SA  | 1    |
| 2   | 1    |      | DD81-01388A   | A/S-SEAL RING;<br>DWFN320,673001500075,EPDM, | SA  | 1    |
| 3   | 1    |      | DD81-01389A   | A/S-CASE AIR BREAKER;<br>DWFN320,67300270060 | SA  | 1    |
| 4   | 1    |      | DD81-01390A   | A/S-HOSE CLAMPING;<br>DWFN320,673001300557,A | SA  | 4    |
| 5   | 1    |      | DD81-01391A   | A/S-POWER CORD;<br>DWFN320,674000000187,M24  | SA  | 1    |
| 6   | 1    |      | DD81-01392A   | A/S-FILTER SALT; DWFN320,673002200165,PP,    | SA  | 1    |
| 7   | 1    |      | DD82-01052A   | A/S ASSY-SOFTENER; DWFN320,M24               | SA  | 1    |
| 7-1 | 2    |      | DD81-01393A   | A/S-CASE SOFTENER;<br>DWFN320,674000700032,M | SA  | 1    |
| 7-2 | 2    |      | DD81-01394A   | A/S-COVER SOFTENER;<br>DWFN320,673002800161, | SA  | 1    |

Exploded Views and Parts List

| No. | Lvl. | Loc. | Material Code | Description & Specification                  | SNA | Qty. |
|-----|------|------|---------------|--|-----|------|
| 7-3 | 2    |      | DD81-01395A   | A/S-NUT SOFTENER;<br>DWFN320,673001600068,PP | SA  | 1    |
| 7-4 | 2    |      | DD81-01396A   | A/S-GASKET SOFTENER;<br>DWFN320,673001500102 | SA  | 1    |
| 8   | 1    |      | DD82-01053B   | A/S ASSY-BASE; DWFN310,BLK,M24-2             | SA  | 1    |
| 8-1 | 2    |      | DD81-01397A   | A/S-BASE FOOT;<br>DWFN320,673001100221,PP,M2 | SA  | 4    |
| 8-2 | 2    |      | DD81-01398A   | A/S-GUIDE STRIP;<br>DWFN320,673001000052,POM | SA  | 6    |
| 8-3 | 2    |      | DD81-01399A   | A/S-DOOR SPRING;<br>DWFN320,672000190025,65M | SA  | 2    |
| 8-4 | 2    |      | DD81-01400A   | A/S-ADJUSTER SPRING;<br>DWFN320,672001100016 | SA  | 2    |
| 9   | 1    |      | DD82-01054A   | A/S ASSY-COVER BASE; DWFN320,BLK,M24         | SA  | 1    |
| 10  | 1    |      | DD81-01401A   | A/S-COVER CASE PBA;<br>DWFN320,673002400129, | SA  | 1    |
| 11  | 1    |      | DD81-01436A   | A/S-SCREW 4X13; DWFN320,672000900022,P ty    | SA  | 19   |
| 12  | 1    |      | DD81-01437A   | A/S-SCREW PCB;<br>DWFN320,672000900027,L9,M2 | SA  | 2    |
| 13  | 1    |      | DD81-01402A   | A/S-CASE PBA;<br>DWFN320,673002400128,PP,M24 | SA  | 1    |
| 14  | 1    |      | DD81-01438B   | A/S-PBA MAIN; DWFN310,674001001907,M24-2     | SA  | 1    |
| 15  | 1    |      | DD81-01403A   | A/S-FRICTION STRIP; DWFN320,672002300036,    | SA  | 2    |
| 16  | 1    |      | DD81-01404A   | A/S-POWER CORD HOOK;<br>DWFN320,673001400083 | SA  | 1    |
| 18  | 1    |      | DD81-01406A   | A/S-PVC PIPE;<br>DWFN320,673000900291,PVC,M2 | SA  | 1    |
| 19  | 1    |      | DD81-01407A   | A/S-PRESSURE SWITCH;<br>DWFN320,674000300072 | SA  | 1    |
| 20  | 1    |      | DD81-01408A   | A/S-HOSE DRAIN;<br>DWFN320,673000900292,TPE+ | SA  | 1    |
| 21  | 1    |      | DD81-01145A   | CLAMP-BEND 175;<br>DMM,-,Midea9347,OTK175,-, | SA  | 1    |
| 22  | 1    |      | DD81-01409A   | A/S-CLAMP BEND 286;<br>DWFN320,672000700003, | SA  | 1    |
| 23  | 1    |      | DD81-01410A   | A/S-CLAMP 8.2;<br>DWFN320,672000700014,65Mn, | SA  | 2    |
| 24  | 1    |      | DD81-01411A   | A/S-CLAMP 14.5;<br>DWFN320,672000700029,65Mn | SA  | 2    |
| 25  | 1    |      | DD81-01621A   | A/S-INLET HOSE IN;<br>DWFN310,673000900061,M | SA  | 1    |
| 26  | 1    |      | DD81-01622A   | A/S-INLET WATER VALVE;<br>DWFN310,6740002000 | SA  | 1    |
| 27  | 1    |      | DD81-01625A   | A/S-AIR BREAKER INLET PIPE;<br>DWFN310,67300 | SA  | 1    |

## 4. ASSY DUCT NOZZLE&BASKET

### Exploded View



### Parts List

| No. | Lvl. | Loc. | Material Code | Description & Specification                  | SNA | Qty. |
|-----|------|------|---------------|--|-----|------|
| 1   | 1    |      | DD81-01412A   | A/S-PLASTIC FILTER; DWFN320,673002500112,    | SA  | 1    |
| 2   | 1    |      | DD81-01414A   | A/S-NOZZLE LOWER HOLDER;<br>DWFN320,67300130 | SA  | 1    |
| 3   | 1    |      | DD81-01415A   | A/S-NOZZLE LOWER;<br>DWFN320,673000330000,PP | SA  | 1    |
| 4   | 1    |      | DD82-01055A   | A/S ASSY-MIDDLE NOZZLE; DWFN320,M24          | SA  | 1    |
| 4-1 | 2    |      | DD81-01416A   | A/S-NOZZLE MIDDLE;<br>DWFN320,673000320000,P | SA  | 1    |
| 4-2 | 2    |      | DD81-01417A   | A/S-NOZZLE MIDDLE RING;<br>DWFN320,673001300 | SA  | 2    |
| 5   | 1    |      | DD82-01056B   | A/S ASSY-DUCT NOZZLE; DWFN310,M24-2          | SA  | 1    |
| 6   | 1    |      | DD82-01058B   | A/S ASSY-UPPER BASKET; DWFN310,M24-2         | SA  | 1    |
| 6-1 | 2    |      | DD81-01430A   | A/S-SUPPORT CUP;<br>DWFN320,673001320007,POM | SA  | 2    |

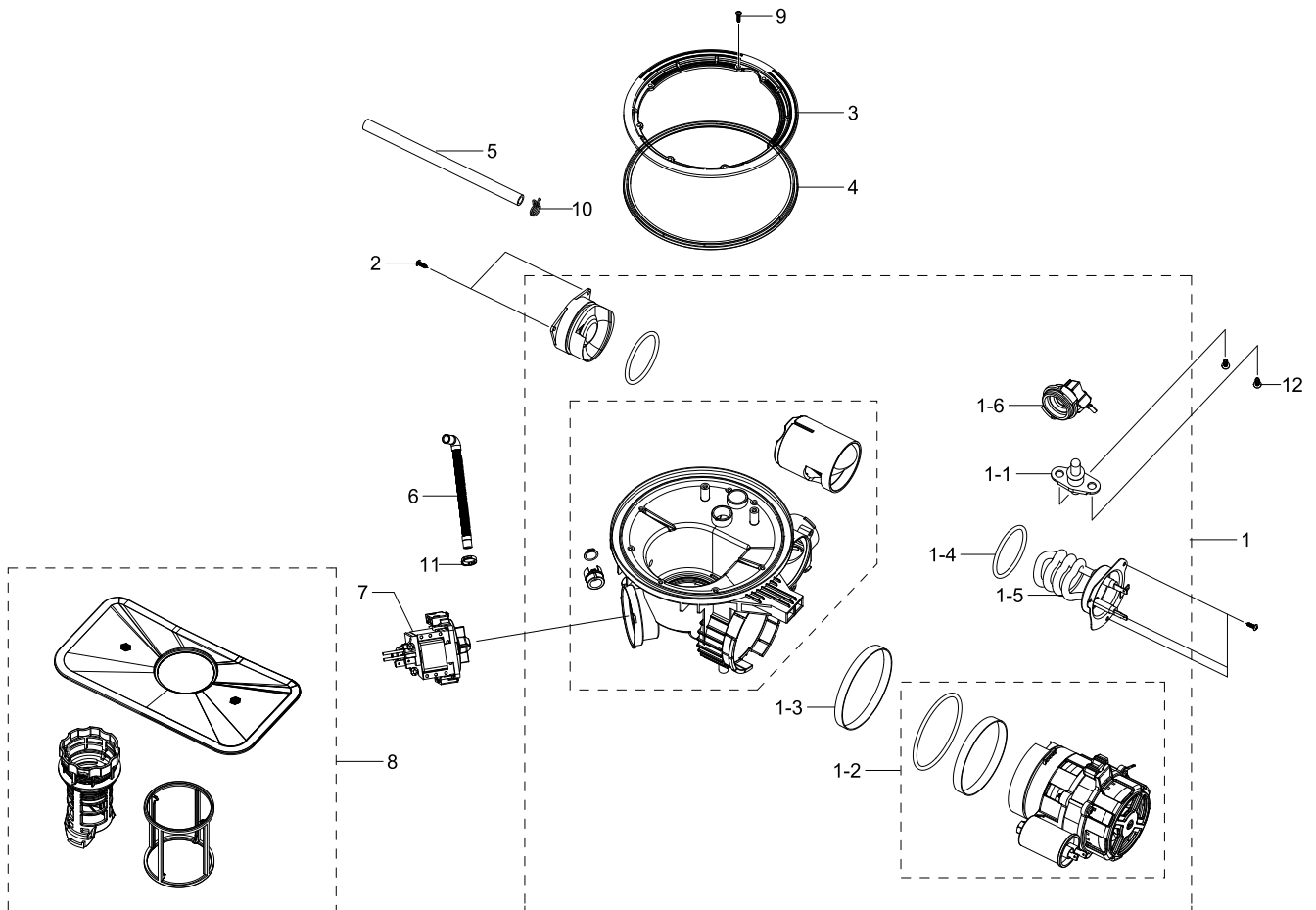
Exploded Views and Parts List

| No. | Lvl. | Loc. | Material Code | Description & Specification                  | SNA | Qty. |
|-----|------|------|---------------|--|-----|------|
| 6-2 | 2    |      | DD81-01431A   | A/S-GUIDE SUPPORT CUP;<br>DWFN320,6730013200 | SA  | 4    |
| 6-4 | 2    |      | DD82-01124A   | A/S ASSY-ROLLER UPPER;<br>DWFN310,gray,M24-2 | SA  | 10   |
| 7   | 1    |      | DD82-01059B   | A/S ASSY-LOWER BASKET; DWFN310,M24-2         | SA  | 1    |
| 7-1 | 2    |      | DD81-01445A   | A/S-ROLLER LOWER ASSY; DWFN320,M24           | SA  | 8    |
| 9   | 1    |      | DD81-01435A   | A/S-CASE SPOON ASSY;<br>DWFN320,673003200001 | SA  | 1    |



## 5. ASSY SUMP

### Exploded View



### Parts List

| No. | Lvl. | Loc. | Material Code | Description & Specification                  | SNA | Qty. |
|-----|------|------|---------------|--|-----|------|
| 1   | 1    |      | DD82-01057B   | A/S ASSY-SUMP; DWFN310,230V,50Hz,M24-2       | SA  | 1    |
| 1-1 | 2    |      | DD81-01279A   | THERMISTOR; DMM,AC250V,674000900038          | SA  | 1    |
| 1-2 | 2    |      | DD81-01439A   | A/S-WASH PUMP ASSY; DWFN320,230V<br>50Hz,M24 | SA  | 1    |
| 1-3 | 2    |      | DD81-01424A   | A/S-CLAMP BEND 940;<br>DWFN320,672000700031, | SA  | 1    |
| 1-4 | 2    |      | DD81-01425A   | A/S-HEATER GASKET;<br>DWFN320,673001500078,E | SA  | 1    |
| 1-5 | 2    |      | DD81-01426A   | A/S-HEATER; DWFN320,674001100053,230V<br>180 | SA  | 1    |
| 1-6 | 2    |      | DD81-01427A   | A/S-PROTECT SWITCH ASSY;<br>DWFN320,67401002 | SA  | 1    |
| 2   | 1    |      | DD81-01436A   | A/S-SCREW 4X13; DWFN320,672000900022,P ty    | SA  | 19   |
| 3   | 1    |      | DD81-01420A   | A/S-SUMP NUT;<br>DWFN320,673001600057,POM,M2 | SA  | 1    |

Exploded Views and Parts List

| No. | Lvl. | Loc. | Material Code | Description & Specification                  | SNA | Qty. |
|-----|------|------|---------------|--|-----|------|
| 4   | 1    |      | DD81-01421A   | A/S-SUMP GASKET;<br>DWFN320,673001500104,EPD | SA  | 1    |
| 5   | 1    |      | DD81-01422A   | A/S-SOFTENER PIPE OUT;<br>DWFN320,6730009002 | SA  | 1    |
| 6   | 1    |      | DD81-01428A   | A/S-DRAIN PIPE IN; DWFN320,673000900287,T    | SA  | 1    |
| 7   | 1    |      | DD81-01429A   | A/S-PUMP DRAIN;<br>DWFN320,674000600129,M24  | SA  | 1    |
| 8   | 1    |      | DD81-01440A   | A/S-FILTER ASSY; DWFN320,M24                 | SA  | 1    |
| 9   | 1    |      | DD81-01441A   | A/S-SCREW SUMP;<br>DWFN320,672000900213,4x16 | SA  | 9    |
| 10  | 1    |      | DD81-01411A   | A/S-CLAMP 14.5;<br>DWFN320,672000700029,65Mn | SA  | 2    |
| 11  | 1    |      | DD81-01409A   | A/S-CLAMP BEND 286;<br>DWFN320,672000700003, | SA  | 1    |
| 12  | 1    |      | DD81-01437A   | A/S-SCREW PCB;<br>DWFN320,672000900027,L9,M2 | SA  | 2    |