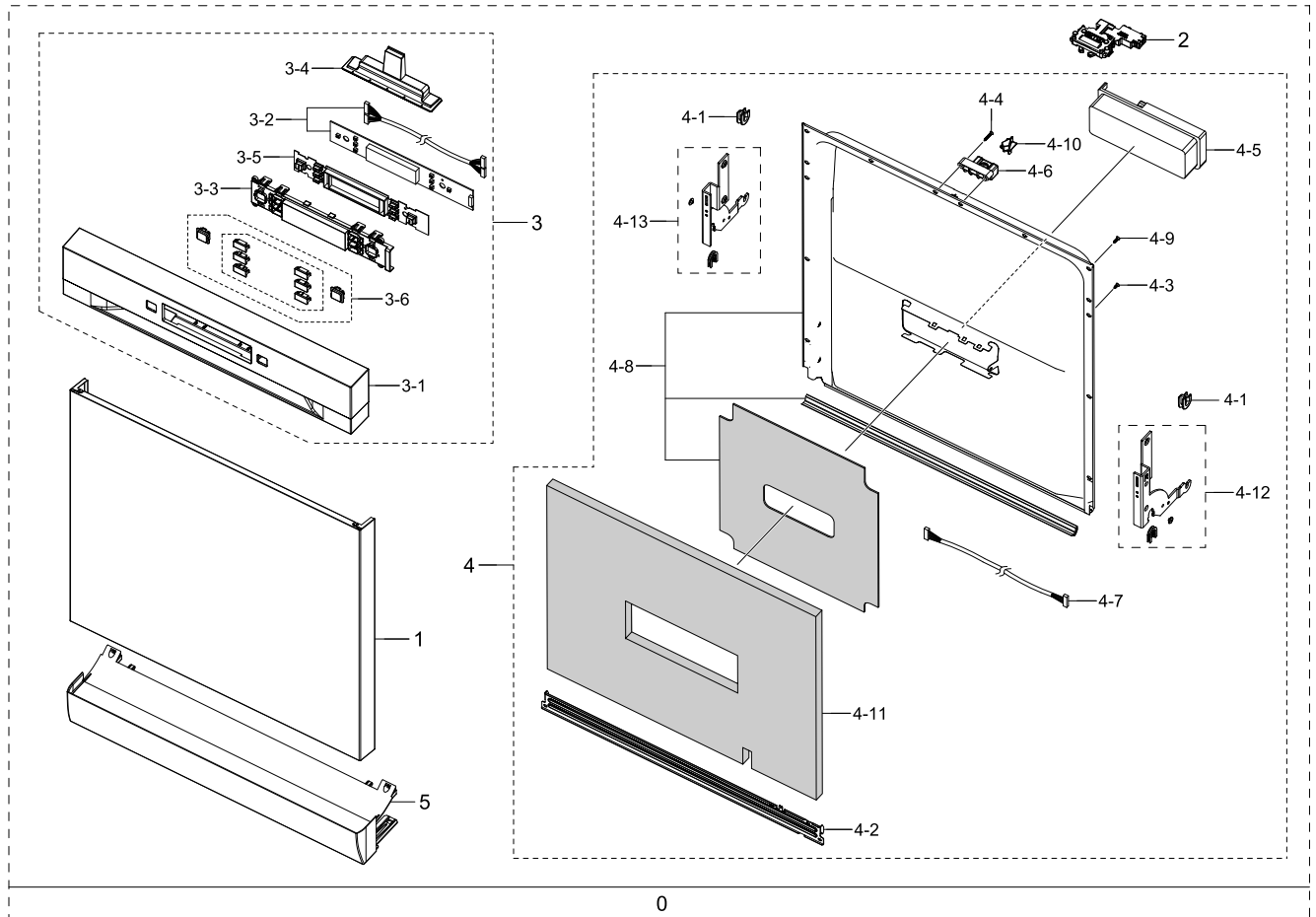


1. Assy Door

Assy Door

Exploded View



Parts List

No.	Lvl.	Loc.	Material Code	Description & Specification	SNA	Qty.
0	1		DD82-01521A	A/S ASSY-DOOR; ODM, DW5500MM, BU	SNA	1
1	2		DD81-02521A	A/S-DOOR OUTER; ODM, DW5500MM,FS,BU,STS	SA	1
2	2		DD81-02345A	A/S-DOOR SWITCH; 5500MM, ODM	SA	1
3	2		DD82-01519A	A/S ASSY-CONTROL PANEL; ODM,DW5500MM,6050	SA	1
3-1	3		DD81-02516A	A/S-CONTROL PANEL; DW5500MM,FS,BU,SBI, SI	SA	1
3-2	3		DD81-02517A	A/S-PBA SUB; DW5500MM,6050,FS,BU,SBI	SA	1
3-3	3		DD81-02518A	A/S-WINDOW PANEL; DW5500MM,6050,FS,BU,SBI	SA	1
3-4	3		DD81-02520A	A/S-COVER RETAINING; DW5500MM,SILVER	SA	1
3-5	3		DD81-02519A	A/S-BUTTON SILICON; DW5500MM	SA	1
3-6	3		DD82-01520A	A/S ASSY-BUTTON; DW5500MM,SILVER	SA	1
4	2		DD82-01494A	A/S ASSY-INNER DOOR; DW5500MM	SA	1

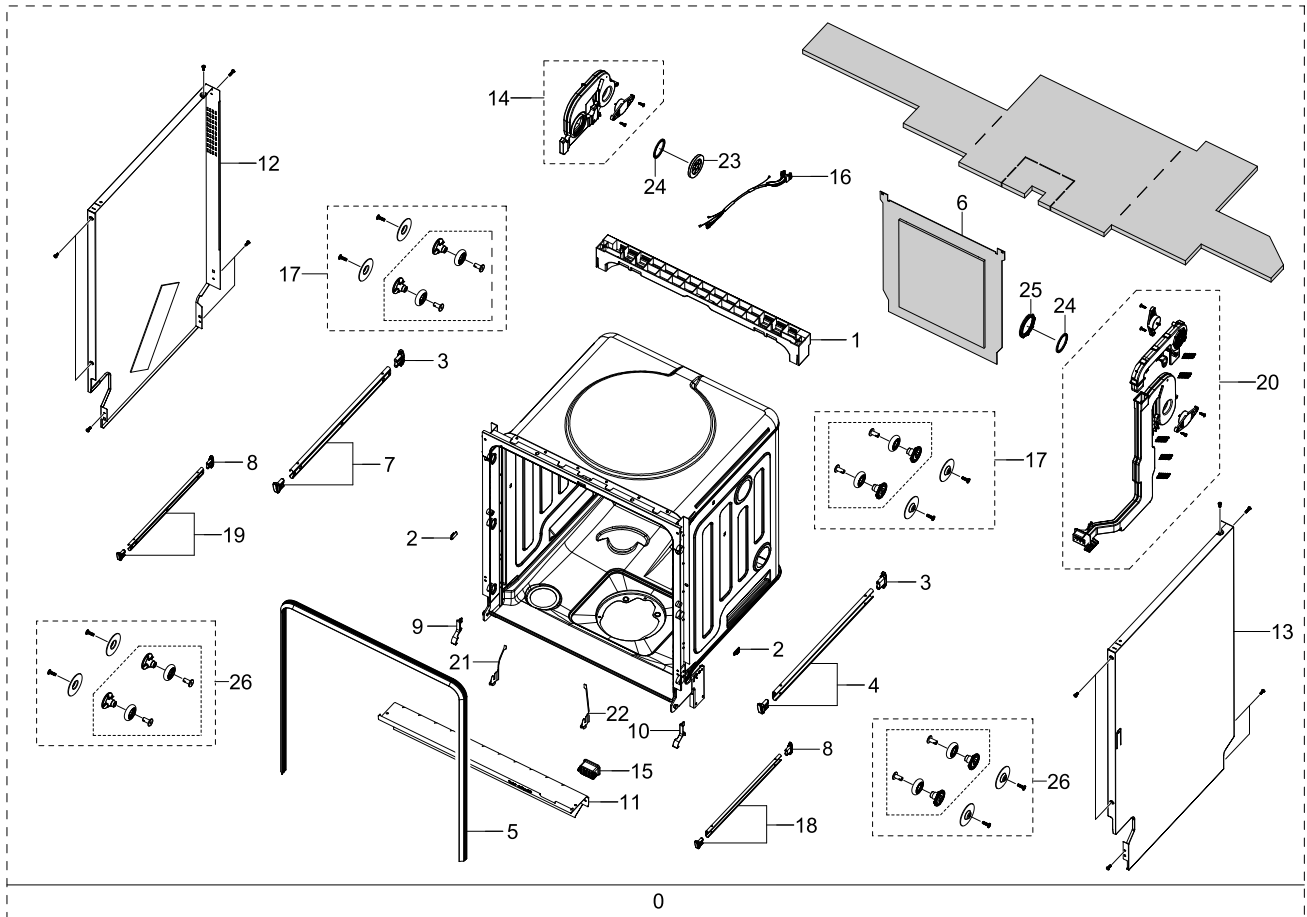
Exploded Views and Parts List

No.	Lvl.	Loc.	Material Code	Description & Specification	SNA	Qty.
4-1	3		DD81-01367A	A/S-GUIDE DOOR LINK; DWFN320,673001300075	SA	2
4-2	3		DD81-01368A	A/S-GEMEL LINK; DWFN320,672001200061,M24	SA	1
4-3	3		DD81-01370A	A/S-SCREW DOOR S; DWFN320,672000900276,M2	SA	6
4-4	3		DD81-01371A	A/S-SCREW DOOR LOCK; DWFN320,672000900066	SA	2
4-5	3		DD81-02347A	A/S-DISPENSER RINSE AID; 5500MM, ODM	SA	1
4-6	3		DD81-02447A	A/S-HOLDER-DOOR LOCK; DW5500MM	SA	1
4-7	3		DD81-02460A	A/S-SUB WIRE HARNESS; DW5500MM	SA	1
4-8	3		DD81-02465A	A/S-DOOR INNER; DW5500MM	SA	1
4-9	3		DD81-02466A	A/S-SCREW DOOR; DW5500MM	SA	6
4-10	3		DD81-02492A	A/S-DOOR LOCK HOOK; DW5500MM	SA	1
4-11	3		DD81-02493A	A/S-ABSORBER DOOR INNER; DW5500MM	SA	1
4-12	3		DD82-01505A	A/S ASSY-DOOR LINK R; DW5500MM	SA	1
4-13	3		DD82-01506A	A/S ASSY-DOOR LINK L; DW5500MM	SA	1
5	2		DD81-02522C	A/S-KICK BOARD; ODM, DW5500MM,SILVER	SA	1

2. Assy Tub

Assy Tub

Exploded View



Parts List

No.	Lvl.	Loc.	Material Code	Description & Specification	SNA	Qty.
0	1		DD82-01502B	SVC ASSY-TUB; SILVER	SNA	1
1	2		DD81-01373A	SVC-REAR CROSSPIECE; DWFN320,673003100010	SA	1
2	2		DD81-01375A	SVC-DOOR REVISE CAP; DWFN320,673000910006	SA	2
3	2		DD81-01378A	SVC-STOPPER RAIL REAR; DWFN320,6730013005	SA	2
4	2		DD81-01379A	SVC-RAIL BASKET L; DWFN320,672001700025	SA	1
5	2		DD81-01381A	SVC-GASKET TUB; DWFN320,673001700109	SA	1
6	2		DD81-01385A	SVC-BACK BOARD; DWFN320,673000102002	SA	1
7	2		DD81-01413A	SVC-RAIL BASKET R; DWFN320,672001700026	SA	1
8	2		DD81-01674A	SVC-STOPPER RAIL REAR 3RD; DW60H6050	SA	2
9	2		DD81-01843A	SVC-TUB SEAL L; DW5000H	SA	1

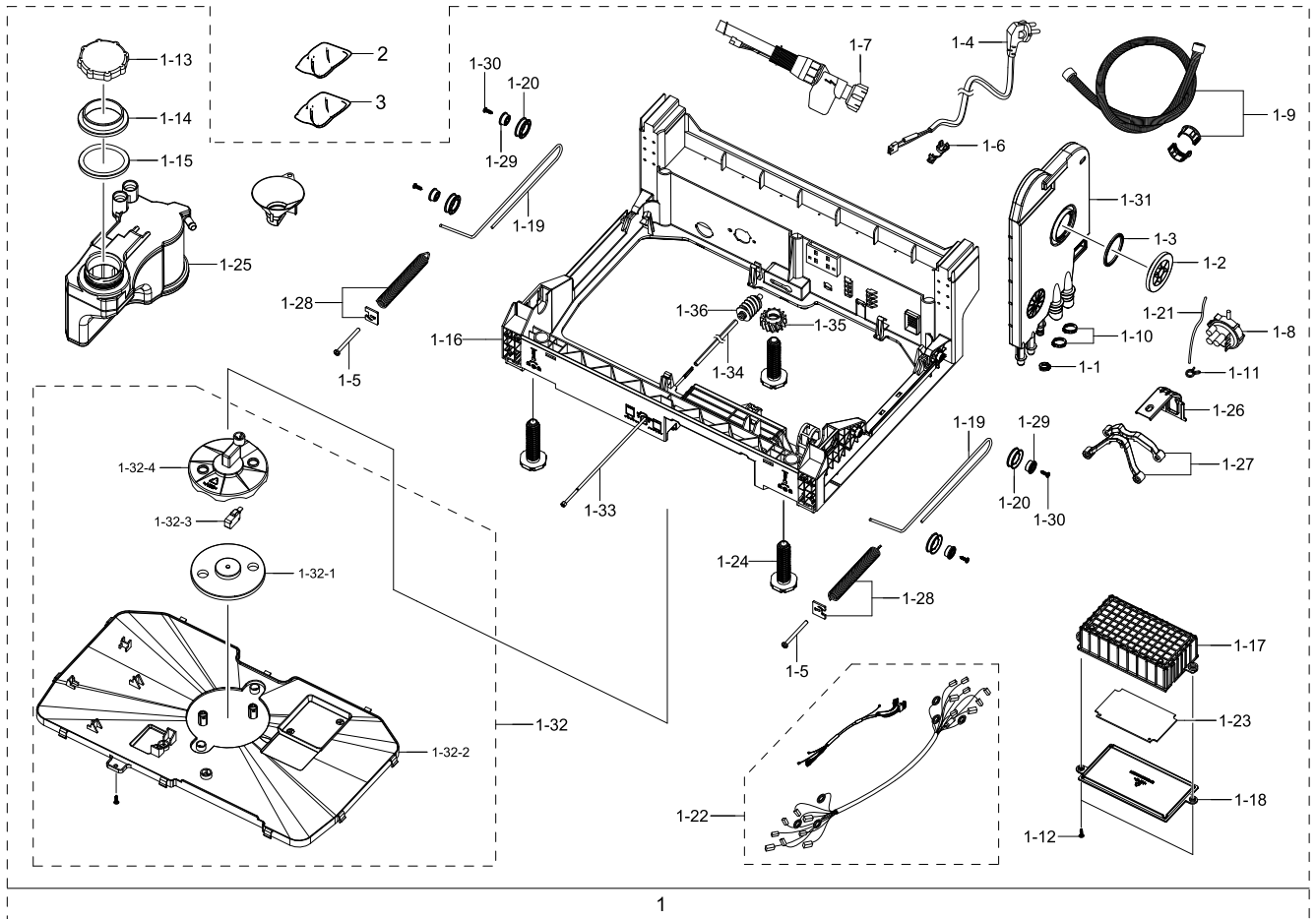
Exploded Views and Parts List

No.	Lvl.	Loc.	Material Code	Description & Specification	SNA	Qty.
10	2		DD81-01844A	SVC-TUB SEAL R; DW5000H	SA	1
11	2		DD81-02446A	SVC-FRAME FRONT; DW5500MM	SA	1
12	2		DD81-02457B	SVC-SIDE PANEL L; ODM, DW5500MM,BU	SA	1
13	2		DD81-02458B	SVC-SIDE PANEL R; ODM, DW5500MM,BU	SA	1
14	2		DD81-02461A	SVC-CASE DRY; DW5500MM	SA	1
15	2		DD81-02504A	SVC-COVER DRY DUCT; DW5500MM	SA	1
16	2		DD81-02505A	SVC-WIRE HARNESS SUB2; DW5500MM	SA	1
17	2		DD82-01140A	SVC ASSY-RAIL SUPPORT; DW60H6050,5050,301	SA	2
18	2		DD82-01169A	SVC ASSY-RAIL BASKET 3RD R; DW60H6050	SA	1
19	2		DD82-01170A	SVC ASSY-RAIL BASKET 3RD L; DW60H6050	SA	1
20	2		DD82-01504A	SVC ASSY-DUCT DRY; DW5500MM	SA	1
21	2		DD81-02700A	SVC-SEAL BLOCK L; DW5500MM,673002000167	SA	1
22	2		DD81-02701A	SVC-SEAL BLOCK R; DW5500MM,673002000168	SA	1
23	2		DD81-02704A	SVC-COVER CASE DRY; DW5500MM,ODM	SA	1
24	2		DD81-01388A	SVC-SEAL RING; DWFN320,673001500075	SA	3
25	2		DD81-02705A	SVC-DUCT DRY NUT; DW5500MM,ODM	SA	1
26	2		DD82-01656A	SVC ASSY-RAIL SUPPORT 3RD; ODM,14PS	SA	2

3. Assy Base

Assy Base

Exploded View



Parts List

No.	Lvl.	Loc.	Material Code	Description & Specification	SNA	Qty.
1	1		DD82-01443C	SVC ASSY-BASE; ODM,DW5500MM,FS,BU	SNA	1
1-1	2		DD81-01145A	SVC-CLAMP-BEND 175; DMM,Midea9347,OTK175	SA	1
1-2	2		DD81-01387A	SVC-AIR BREAKER NUT; DWFN320,673001600058	SA	1
1-3	2		DD81-01388A	SVC-SEAL RING; DWFN320,673001500075	SA	3
1-4	2		DD81-01391A	SVC POWER CORD; 674000000187	SA	1
1-5	2		DD81-01400A	SVC-ADJUSTER SPRING; DWFN320,672001100016	SA	2
1-6	2		DD81-01404A	SVC POWER CORD-HOOK; 673001400083,PA66	SA	1
1-7	2		DD81-01405A	SVC-INLET HOSE; DWFN320,674000200041	SA	1
1-8	2		DD81-01407A	SVC-PRESSURE SWITCH; DWFN320,674000300072	SA	1

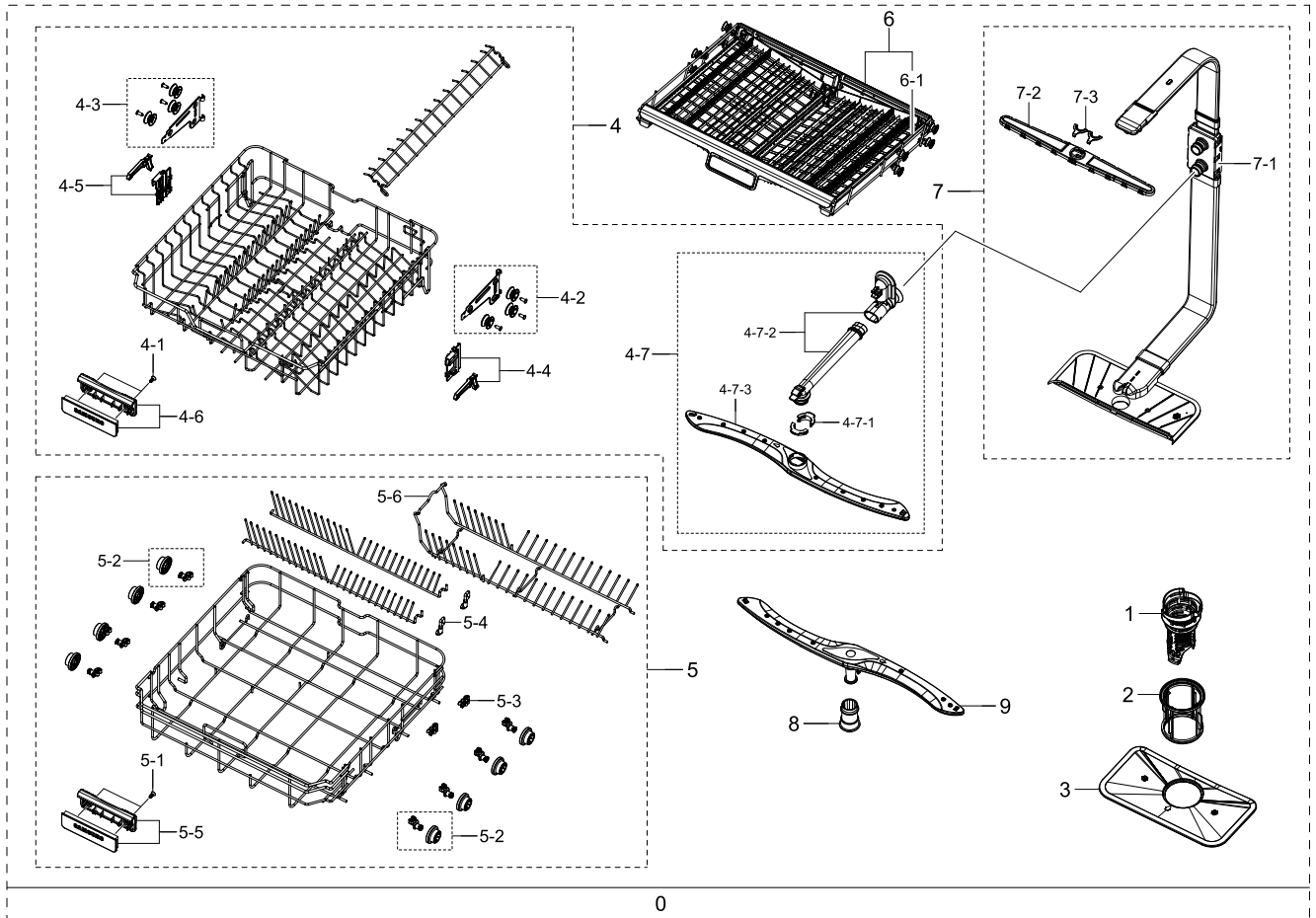
Exploded Views and Parts List

No.	Lvl.	Loc.	Material Code	Description & Specification	SNA	Qty.
1-9	2		DD81-01408A	SVC-HOSE DRAIN; DWFN320,673000900292	SA	1
1-10	2		DD81-01409A	SVC-CLAMP BEND 286; DWFN320,672000700003	SA	3
1-11	2		DD81-01410A	SVC-CLAMP 8.2; DWFN320,672000700014	SA	2
1-12	2		DD81-01437A	SVC-SCREW PCB; DWFN320,672000900027	SA	2
1-13	2		DD81-01678A	SVC-CASE SOFTENER; DW60H6050,5050,3010	SA	1
1-14	2		DD81-01680A	SVC-NUT SOFTENER; DW60H6050,5050,3010	SA	1
1-15	2		DD81-01681A	SVC-GASKET SOFTENER; DW60H6050,5050,3010	SA	1
1-16	2		DD81-02353A	SVC-BASE; 5500MM, ODM	SA	1
1-17	2		DD81-02354A	SVC-COVER PCB; 5500MM, ODM	SA	1
1-18	2		DD81-02355A	SVC-GUIDE COVER PCB; 5500MM, ODM	SA	1
1-19	2		DD81-02356B	SVC-HOLDER ROPE DOOR; ODM, DW5500MM,FS,BU	SA	2
1-20	2		DD81-02358A	SVC-ROLLER; 5500MM, ODM	SA	4
1-21	2		DD81-02448A	SVC-HOSE PRESSURE SWITCH; DW5500MM	SA	1
1-22	2		DD81-02456A	SVC-MAIN WIRE HARNESS; DW5500MM	SA	1
1-23	2		DD81-02459A	SVC ASSY PBA-MAIN; DW5500MM	SA	1
1-24	2		DD81-02462A	SVC-BASE FOOT; DW5500MM	SA	3
1-25	2		DD81-02472A	SVC-WATER SOFTNER; DW5500MM	SA	1
1-26	2		DD81-02477A	SVC-BRACKET BASE; DW5500MM	SA	1
1-27	2		DD81-02478A	SVC-HOLDER BRACKET BASE; DW5500MM	SA	1
1-28	2		DD81-02494B	SVC-DOOR SPRING; ODM, DW5500MM,FS,BU	SA	2
1-29	2		DD81-02498A	SVC-ROLLER SUB; DW5500MM	SA	4
1-30	2		DD81-02499A	SVC-ROLLER SCREW; DW5500MM	SA	4
1-31	2		DD82-01446A	SVC ASSY-CASE BRAKE; 5500MM,ODM	SA	1
1-32	2		DD82-01492A	SVC ASSY-COVER BASE; DW5500MM	SA	1
1-32-1	3		DD81-02288A	SVC-CUSION SENSOR LEAKAGE; ODM, DW3000MM	SA	1
1-32-2	3		DD81-02357A	SVC-COVER BASE; 5500MM, ODM	SA	1
1-32-3	3		DD81-02495A	SVC-MICRO SWITCH; DW5500MM	SA	1
1-32-4	3		DD81-02496A	SVC-COVER SENSOR LEAKAGE; DW5500MM	SA	1
1-33	2		DD81-02502A	SVC-SHAFT; DW5500MM	SA	1
1-34	2		DD81-02503A	SVC-COVER SHAFT; DW5500MM	SA	1
1-35	2		DD81-02500A	SVC-GEAR HALICAL; DW5500MM	SA	1
1-36	2		DD81-02501A	SVC-GEAR WARM; DW5500MM	SA	1
2	1		DD81-02609A	SVC-CLAMPER KIT; DW5500MM,ODM	SA	1
3	1		DD82-01580A	SVC ASSY-INSTALLATION KIT; BU	SA	1

4. Assy Washer

Assy Washer

Exploded View



Parts List

No.	Lvl.	Loc.	Material Code	Description & Specification	SNA	Qty.
0	1		DD82-01508A	A/S ASSY-WASH; DW5500MM	SNA	1
1	2		DD81-02452A	A/S-FILTER COARSE; DW5500MM	SA	1
2	2		DD81-02453A	A/S-FILTER MICRO; DW5500MM	SA	1
3	2		DD81-02454A	A/S-FILTER FINE; DW5500MM	SA	1
4	2		DD82-01496A	A/S ASSY-BASKET UPPER; DW5500MM	SA	1
4-1	3		DD81-01330A	SCREW-HANDLE BASKET; DMM,SUS304,+FH,4*10,	SA	2
4-2	3		DD81-01432A	A/S-ROLLER BASKET R; DWFN320,673003300001	SA	1
4-3	3		DD81-01433A	A/S-ROLLER BASKET L; DWFN320,673003300000	SA	1
4-4	3		DD81-01443A	A/S-BASKET ADJUSTER R; DWFN320,M24	SA	1
4-5	3		DD81-01444A	A/S-BASKET ADJUSTER L; DWFN320,M24	SA	1
4-6	3		DD82-01497A	A/S ASSY-HANDLE-BASKET; DW5500MM	SA	1

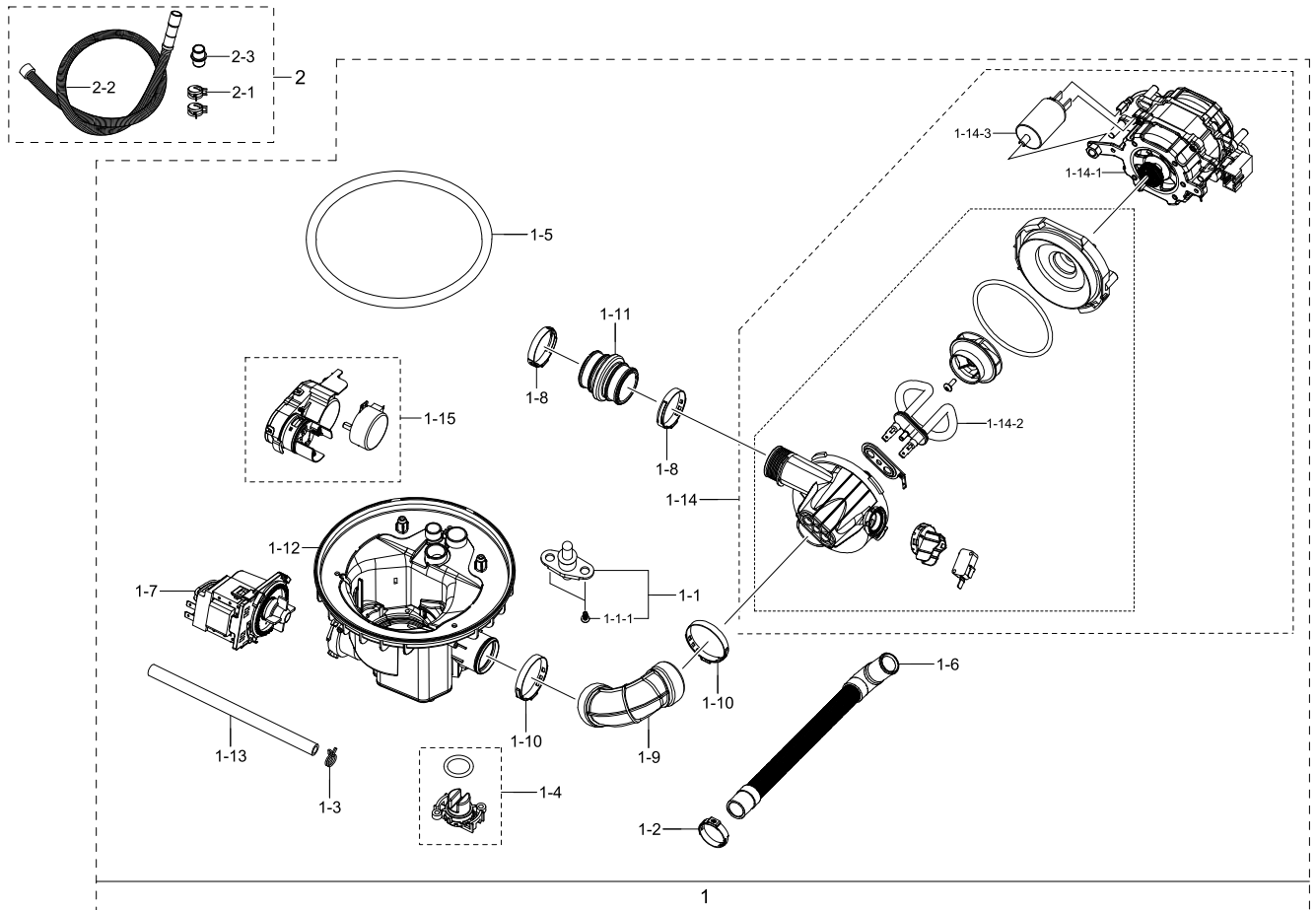
Exploded Views and Parts List

No.	Lvl.	Loc.	Material Code	Description & Specification	SNA	Qty.
4-7	3		DD82-01500A	A/S ASSY-MIDDLE NOZZLE; DW5500MM	SA	1
4-7-1	4		DD81-01417A	A/S-NOZZLE MIDDLE RING; DWFN320,673001300	SA	2
4-7-2	4		DD81-01848A	A/S-NOZZLE MIDDLE; DW5000H,DW60H6050FS/FW	SA	1
4-7-3	4		DD81-02469A	A/S-DUCT NOZZLE MIDDLE; DW5500MM	SA	1
5	2		DD82-01498A	A/S ASSY-BASKET LOWER; DW5500MM	SA	1
5-1	3		DD81-01330A	SCREW-HANDLE BASKET; DMM,SUS304,+FH,4*10,	SA	2
5-2	3		DD81-01445A	A/S-ROLLER LOWER ASSY; DWFN320,M24	SA	8
5-3	3		DD81-02512A	A/S-HOLDER WIRE; ODM, DW5500MM	SA	2
5-4	3		DD81-01676A	A/S-HOLDER TINE; DW60H6050,5050	SA	2
5-5	3		DD82-01497A	A/S ASSY-HANDLE-BASKET; DW5500MM	SA	2
5-6	3		DD81-01697A	A/S-REMOVABLE TINE; DW60H6050,REMOVABLE T	SA	1
6	2		DD82-01499A	A/S ASSY-BASKET 3RD; DW5500MM	SA	1
6-1	3		DD81-01672A	A/S-3RD RACK WIRE; DW60H6050	SA	1
7	2		DD82-01501A	A/S ASSY-DUCT NOZZLE; DW5500MM	SA	1
7-1	3		DD81-02470A	A/S-COVER DUCT NOZZLE; DW5500MM	SA	1
7-2	3		DD81-02509A	A/S-NOZZLE TOP; DW5500MM	SA	1
7-3	3		DD81-02510A	A/S-NOZZLE TOP RING; DW5500MM	SA	1
8	2		DD81-01414A	A/S-NOZZLE LOWER HOLDER; DWFN320,67300130	SA	1
9	2		DD81-01847A	A/S-NOZZLE LOWER; DW5000H,DW60H6050FS/FW,	SA	1

5. Assy Sump

Assy Sump

Exploded View



Parts List

No.	Lvl.	Loc.	Material Code	Description & Specification	SNA	Qty.
1	1		DD82-01444A	SVC ASSY-SUMP; 5500MM,ODM	SNA	1
1-1	2		DD81-01279A	SVC-THERMISTOR; DMM,AC250V,674000900038	SA	1
1-1-1	3		DD81-02506A	SVC-SCREW THERMISTOR; DW5500MM	SNA	2
1-2	2		DD81-01409A	SVC-CLAMP BEND 286; DWFN320,672000700003	SA	3
1-3	2		DD81-01410A	SVC-CLAMP 8.2; DWFN320,672000700014	SA	2
1-4	2		DD81-01423A	SVC-SENSE SOIL; DWFN320,674000600142	SA	1
1-5	2		DD81-02449A	SVC-SEAL SUMP; DW5500MM	SA	1
1-6	2		DD81-02450A	SVC-HOSE-DRAIN IN; DW5500MM	SA	1
1-7	2		DD81-02451A	SVC PUMP-DRAIN; DW5500MM	SA	1
1-8	2		DD81-02479A	SVC-HOSE PUMP OUT; DW5500MM	SA	1

Exploded Views and Parts List

No.	Lvl.	Loc.	Material Code	Description & Specification	SNA	Qty.
1-9	2		DD81-02480A	SVC-HOSE PUMP IN; DW5500MM	SA	1
1-10	2		DD81-02481A	SVC-CLAMPER HOSE OUT; DW5500MM	SA	2
1-11	2		DD81-02482A	SVC-CLAMPER HOSE IN; DW5500MM	SA	2
1-12	2		DD81-02507A	SVC-SUMP; DW5500MM	SA	1
1-13	2		DD81-02508A	SVC-PVC HOSE; DW5500MM	SA	1
1-14	2		DD82-01507A	SVC PUMP-WASH; DW5500MM	SA	1
1-14-1	3		DD81-02360A	SVC PUMP-CIRCULATION; 5500MM,ODM	SA	1
1-14-2	3		DD81-02361A	SVC-HEATER PUMP; 5500MM, ODM	SA	1
1-14-3	3		DD81-03108A	DW5500MM,AC WASH PUMP,1747600001114	SA	1
1-15	2		DD81-02575A	SVC MOTOR-GEARED; DW5500MM	SA	1
2	1		DD82-01712B	SVC ASSY-HOSE CONNECTOR KIT; DW4000RM,ODM	SA	1
2-1	2		DD81-02739A	SVC-CLAMPER HOSE DRAIN; DW2900RM,12976000	SA	2
2-2	2		DD81-02863A	SVC-HOSE DRAIN; DW4000RM	SA	1
2-3	2		DD81-02871A	SVC-HOSE CONNECTOR; DW4000RM	SA	1