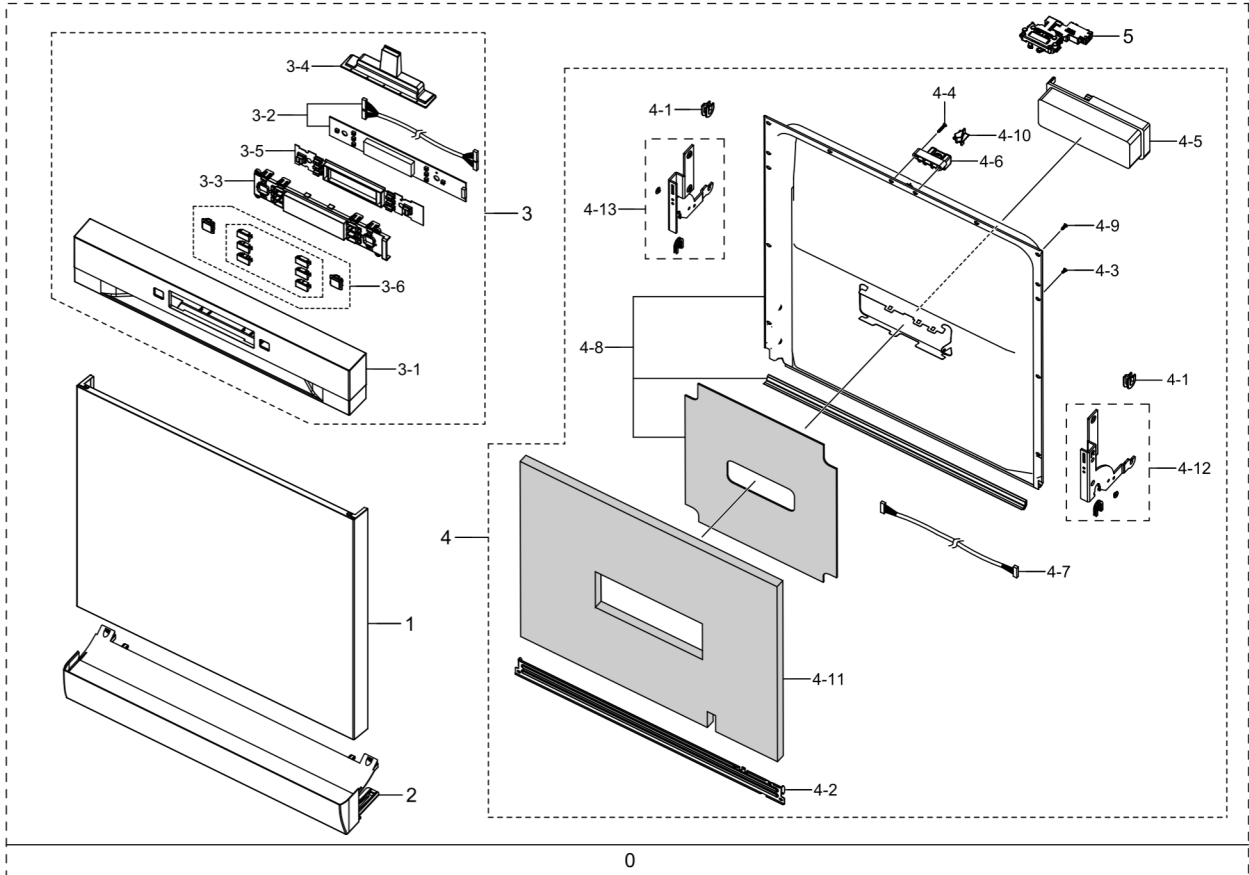


1. Assy Door

Assy Door

Exploded View



Parts List

| No. | Lvl. | Loc. | Material Code | Description & Specification | SNA | Qty. |
|-----|------|------|---------------|--|-----|------|
| 0 | 1 | | DD82-01544A | SVC ASSY DOOR; SILVER | SNA | 1 |
| 1 | 2 | | DD81-02521A | SVC-DOOR OUTER; STS | SA | 1 |
| 2 | 2 | | DD81-01650B | SVC-COVER PLINTH; DW5500MM,DW7500RM,12176 | SA | 1 |
| 3 | 2 | | DD82-01519A | SVC ASSY-CONTROL PANEL; 6050SS | SA | 1 |
| 3-1 | 3 | | DD81-02516A | SVC-CONTROL PANEL; DW5500MM | SA | 1 |
| 3-2 | 3 | | DD81-02517A | SVC ASSY PBA-SUB; DW5500MM,6050,FS,BU,SBI | SA | 1 |
| 3-3 | 3 | | DD81-02518A | SVC-WINDOW PANEL; DW5500MM | SA | 1 |
| 3-4 | 3 | | DD81-02520A | SVC-COVER RETAINING; DW5500MM | SA | 1 |
| 3-5 | 3 | | DD81-02519A | SVC-BUTTON SILICON; DW5500MM | SA | 1 |
| 3-6 | 3 | | DD82-01520A | SVC ASSY-BUTTON; SILVER | SA | 1 |

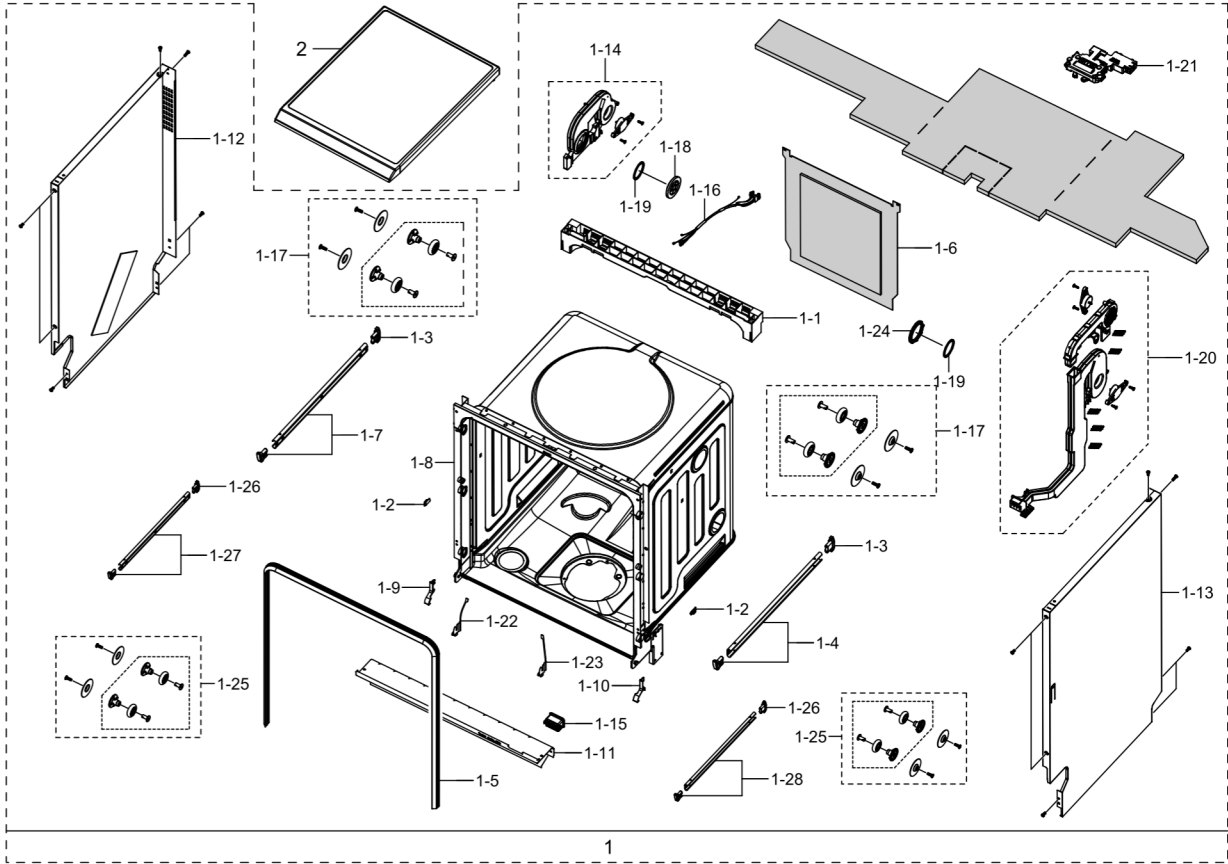
Exploded Views and Parts List

| No. | Lvl. | Loc. | Material Code | Description & Specification | SNA | Qty. |
|------|------|------|---------------|--|-----|------|
| 4 | 2 | | DD82-01494A | SVC ASSY-INNER DOOR; DW5500MM | SA | 1 |
| 4-1 | 3 | | DD81-01367A | SVC-GUIDE DOOR LINK; DWFN320,673001300075 | SA | 2 |
| 4-2 | 3 | | DD81-01368A | SVC-GEMEL LINK; DWFN320,672001200061 | SA | 1 |
| 4-3 | 3 | | DD81-01370A | SVC-SCREW DOOR S; DWFN320,672000900276 | SA | 6 |
| 4-4 | 3 | | DD81-01371A | SVC-SCREW DOOR LOCK; DWFN320,672000900066 | SA | 2 |
| 4-5 | 3 | | DD81-02347A | SVC-DISPENSER RINSE AID; 5500MM, ODM | SA | 1 |
| 4-6 | 3 | | DD81-02447A | SVC-HOLDER-DOOR LOCK; DW5500MM | SA | 1 |
| 4-7 | 3 | | DD81-02460A | SVC-SUB WIRE HARNESS; DW5500MM | SA | 1 |
| 4-8 | 3 | | DD81-02465A | SVC ASSY DOOR-INNER; DW5500MM | SA | 1 |
| 4-9 | 3 | | DD81-02466A | SVC-SCREW DOOR; DW5500MM | SA | 6 |
| 4-10 | 3 | | DD81-02492A | SVC-DOOR LOCK HOOK; DW5500MM | SA | 1 |
| 4-11 | 3 | | DD81-02493A | SVC-ABSORBER DOOR INNER; DW5500MM | SA | 1 |
| 4-12 | 3 | | DD82-01505A | SVC ASSY-DOOR LINK R; DW5500MM | SA | 1 |
| 4-13 | 3 | | DD82-01506A | SVC ASSY-DOOR LINK L; DW5500MM | SA | 1 |
| 5 | 2 | | DD81-02345A | SVC-DOOR SWITCH; 5500MM, ODM | SA | 1 |

2. Assy Tub

Assy Tub

Exploded View



Parts List

| No. | Lvl. | Loc. | Material Code | Description & Specification | SNA | Qty. |
|-----|------|------|---------------|--|-----|------|
| 1 | 1 | | DD82-01502C | SVC ASSY-TUB; SILVER | SNA | 1 |
| 1-1 | 2 | | DD81-01373A | SVC-REAR CROSSPIECE; DWFN320,673003100010 | SA | 1 |
| 1-2 | 2 | | DD81-01375A | SVC-DOOR REVISE CAP; DWFN320,673000910006 | SA | 2 |
| 1-3 | 2 | | DD81-01378A | SVC-STOPPER RAIL REAR; DWFN320,6730013005 | SA | 2 |
| 1-4 | 2 | | DD81-01379A | SVC-RAIL BASKET L; DWFN320,672001700025 | SA | 1 |
| 1-5 | 2 | | DD81-01381A | SVC-GASKET TUB; DWFN320,673001700109 | SA | 1 |
| 1-6 | 2 | | DD81-01385A | SVC-BACK BOARD; DWFN320,673000102002 | SA | 1 |
| 1-7 | 2 | | DD81-01413A | SVC-RAIL BASKET R; DWFN320,672001700026 | SA | 1 |
| 1-8 | 2 | | DD82-01503A | SVC ASSY-GROSS TUB; DW5500MM | SNA | 1 |
| 1-9 | 2 | | DD81-01843A | SVC-TUB SEAL L; DW5000H | SA | 1 |

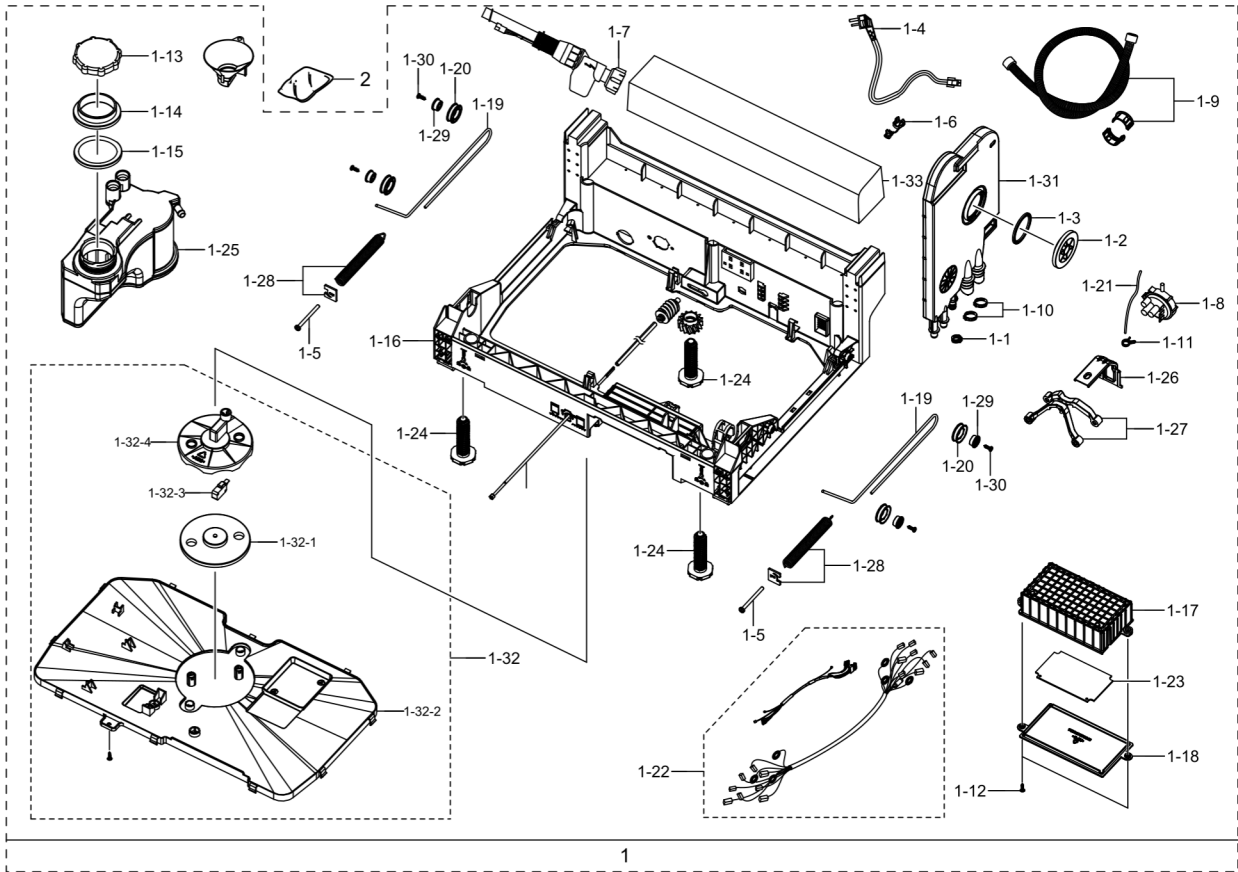
Exploded Views and Parts List

| No. | Lvl. | Loc. | Material Code | Description & Specification | SNA | Qty. |
|------|------|------|---------------|--|-----|------|
| 1-10 | 2 | | DD81-01844A | SVC-TUB SEAL R; DW5000H | SA | 1 |
| 1-11 | 2 | | DD81-02446A | SVC-FRAME FRONT; DW5500MM | SA | 1 |
| 1-12 | 2 | | DD81-01660A | SVC-SIDE PANEL L; DW60H6050,5050,3010 | SA | 1 |
| 1-13 | 2 | | DD81-01661A | SVC-SIDE PANEL R; DW60H6050,5050,3010 | SA | 1 |
| 1-14 | 2 | | DD81-02461A | SVC-CASE DRY; DW5500MM | SA | 1 |
| 1-15 | 2 | | DD81-02504A | SVC-COVER DRY DUCT; DW5500MM | SA | 1 |
| 1-16 | 2 | | DD81-02505A | SVC-WIRE HARNESS SUB2; DW5500MM | SA | 1 |
| 1-17 | 2 | | DD82-01140A | SVC ASSY-RAIL SUPPORT; DW60H6050,5050,301 | SA | 2 |
| 1-18 | 2 | | DD81-02704A | SVC-COVER CASE DRY; DW5500MM,ODM | SA | 1 |
| 1-19 | 2 | | DD81-01388A | SVC-SEAL RING; DWFN320,673001500075 | SA | 3 |
| 1-20 | 2 | | DD82-01504A | SVC ASSY-DUCT DRY; DW5500MM | SA | 1 |
| 1-21 | 2 | | DD81-02345A | SVC-DOOR SWITCH; 5500MM, ODM | SA | 1 |
| 1-22 | 2 | | DD81-02700A | SVC-SEAL BLOCK L; DW5500MM,673002000167 | SA | 1 |
| 1-23 | 2 | | DD81-02701A | SVC-SEAL BLOCK R; DW5500MM,673002000168 | SA | 1 |
| 1-24 | 2 | | DD81-02705A | SVC-DUCT DRY NUT; DW5500MM,ODM | SA | 1 |
| 1-25 | 2 | | DD82-01656A | SVC ASSY-RAIL SUPPORT 3RD; ODM,14PS | SA | 2 |
| 1-26 | 2 | | DD81-01674A | SVC-STOPPER RAIL REAR 3RD; DW60H6050 | SA | 2 |
| 1-27 | 2 | | DD82-01170A | SVC ASSY-RAIL BASKET 3RD L; DW60H6050 | SA | 1 |
| 1-28 | 2 | | DD82-01169A | SVC ASSY-RAIL BASKET 3RD R; DW60H6050 | SA | 1 |
| 2 | 1 | | DD81-02552A | SVC-TOP PANEL; DW5000MM. FS | SA | 1 |

3. Assy Base

Assy Base

Exploded View



Parts List

| No. | Lvl. | Loc. | Material Code | Description & Specification | SNA | Qty. |
|-----|------|------|---------------|--|-----|------|
| 1 | 1 | | DD82-01545A | SVC ASSY-BASE; DW5500MM,Free Standing | SNA | 1 |
| 1-1 | 2 | | DD81-01145A | SVC-CLAMP-BEND 175; DMM,Midea9347,OTK175 | SA | 1 |
| 1-2 | 2 | | DD81-01387A | SVC-AIR BREAKER NUT; DWFN320,673001600058 | SA | 1 |
| 1-3 | 2 | | DD81-01388A | SVC-SEAL RING; DWFN320,673001500075 | SA | 3 |
| 1-4 | 2 | | DD81-01391A | SVC POWER CORD; 674000000187 | SA | 1 |
| 1-5 | 2 | | DD81-01400A | SVC-ADJUSTER SPRING; DWFN320,672001100016 | SA | 2 |
| 1-6 | 2 | | DD81-01404A | SVC POWER CORD-HOOK; 673001400083,PA66 | SA | 1 |
| 1-7 | 2 | | DD81-01405A | SVC-INLET HOSE; DWFN320,674000200041 | SA | 1 |
| 1-8 | 2 | | DD81-01407A | SVC-PRESSURE SWITCH; DWFN320,674000300072 | SA | 1 |

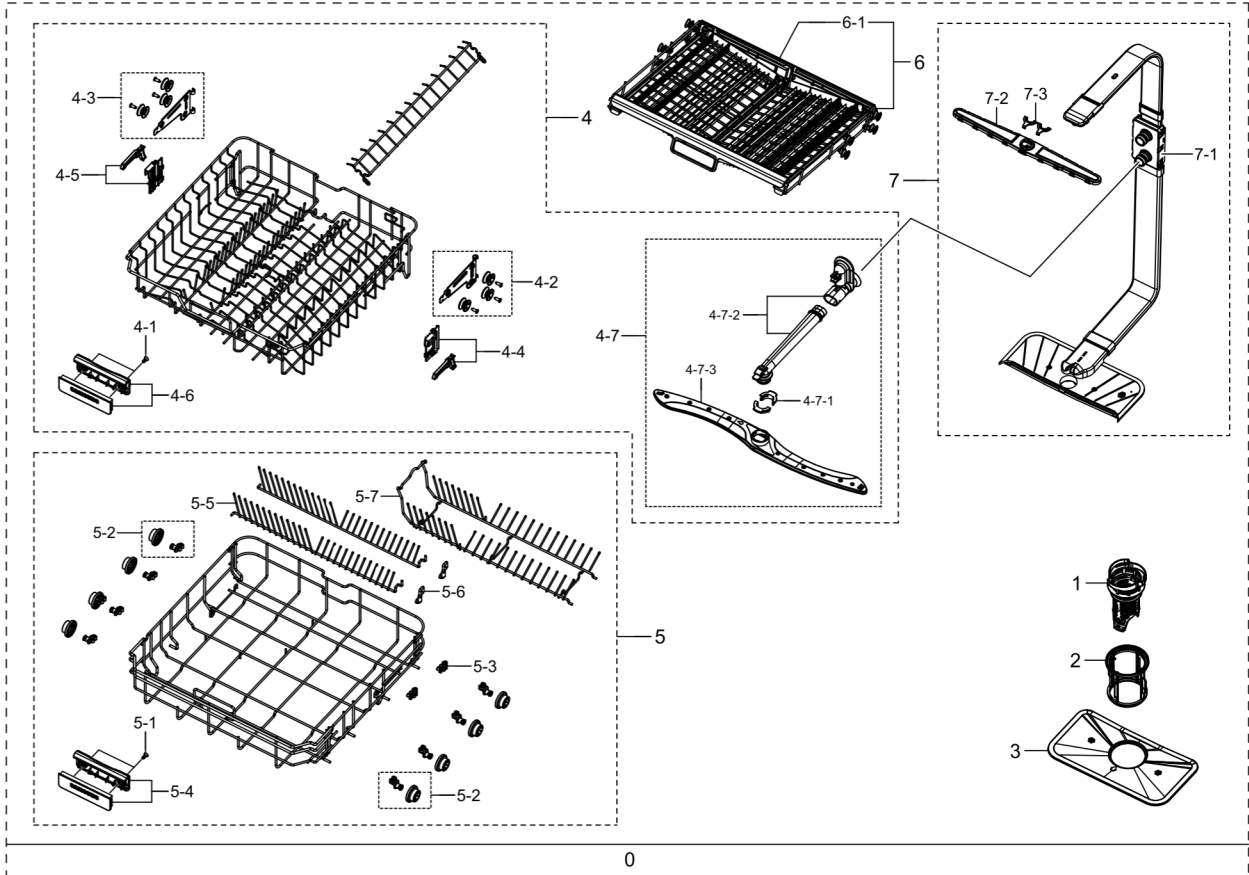
Exploded Views and Parts List

| No. | Lvl. | Loc. | Material Code | Description & Specification | SNA | Qty. |
|--------|------|------|---------------|--|-----|------|
| 1-9 | 2 | | DD81-01408A | SVC-HOSE DRAIN; DWFN320,673000900292 | SA | 1 |
| 1-10 | 2 | | DD81-01409A | SVC-CLAMP BEND 286; DWFN320,672000700003 | SA | 3 |
| 1-11 | 2 | | DD81-01410A | SVC-CLAMP 8.2; DWFN320,672000700014 | SA | 2 |
| 1-12 | 2 | | DD81-01437A | SVC-SCREW PCB; DWFN320,672000900027 | SA | 2 |
| 1-13 | 2 | | DD81-01678A | SVC-CASE SOFTENER; DW60H6050,5050,3010 | SA | 1 |
| 1-14 | 2 | | DD81-01680A | SVC-NUT SOFTENER; DW60H6050,5050,3010 | SA | 1 |
| 1-15 | 2 | | DD81-01681A | SVC-GASKET SOFTENER; DW60H6050,5050,3010 | SA | 1 |
| 1-16 | 2 | | DD81-02554A | SVC-BASE; DW5500MM, Free Standing | SA | 1 |
| 1-17 | 2 | | DD81-02354A | SVC-COVER PCB; 5500MM, ODM | SA | 1 |
| 1-18 | 2 | | DD81-02355A | SVC-GUIDE COVER PCB; 5500MM, ODM | SA | 1 |
| 1-19 | 2 | | DD81-02356B | SVC-HOLDER ROPE DOOR; ODM, DW5500MM,FS,BU | SA | 2 |
| 1-20 | 2 | | DD81-02358A | SVC-ROLLER; 5500MM, ODM | SA | 4 |
| 1-21 | 2 | | DD81-02448A | SVC-HOSE PRESSURE SWITCH; DW5500MM | SA | 1 |
| 1-22 | 2 | | DD81-02456A | SVC-MAIN WIRE HARNESS; DW5500MM | SA | 1 |
| 1-23 | 2 | | DD81-02459A | SVC ASSY PBA-MAIN; DW5500MM | SA | 1 |
| 1-24 | 2 | | DD81-02556A | SVC-FOOT; DW5500MM, Free Standing | SA | 4 |
| 1-25 | 2 | | DD81-02472A | SVC-WATER SOFTNER; DW5500MM | SA | 1 |
| 1-26 | 2 | | DD81-02477A | SVC-BRACKET BASE; DW5500MM | SA | 1 |
| 1-27 | 2 | | DD81-02478A | SVC-HOLDER BRAK CET BASE; DW5500MM | SA | 1 |
| 1-28 | 2 | | DD81-02494B | SVC-DOOR SPRING; ODM, DW5500MM,FS,BU | SA | 2 |
| 1-29 | 2 | | DD81-02498A | SVC-ROLLER SUB; DW5500MM | SA | 4 |
| 1-30 | 2 | | DD81-02499A | SVC-ROLLER SCREW; DW5500MM | SA | 4 |
| 1-31 | 2 | | DD82-01446A | SVC ASSY-CASE BRAKE; 5500MM,ODM | SA | 1 |
| 1-32 | 2 | | DD82-01492A | SVC ASSY-COVER BASE; DW5500MM | SA | 1 |
| 1-32-1 | 3 | | DD81-02288A | SVC-CUSION SENSOR LEAKAGE; ODM, DW3000MM | SA | 1 |
| 1-32-2 | 3 | | DD81-02357A | SVC-COVER BASE; 5500MM, ODM | SA | 1 |
| 1-32-3 | 3 | | DD81-02495A | SVC-MICRO SWITCH; DW5500MM | SA | 1 |
| 1-32-4 | 3 | | DD81-02496A | SVC-COVER SENSOR LEAKAGE; DW5500MM | SA | 1 |
| 1-33 | 2 | | DD81-02555A | SVC-WEIGHT BALANCE; DW5500MM, Free Standi | SA | 1 |
| 2 | 1 | | DD81-02609A | SVC-CLAMPER KIT; DW5500MM,ODM | SA | 1 |

4. Assy Wash

Assy Wash

Exploded View



Parts List

| No. | Lvl. | Loc. | Material Code | Description & Specification | SNA | Qty. |
|-----|------|------|---------------|---|-----|------|
| 0 | 1 | | DD82-01508A | SVC ASSY-WASH; DW5500MM | SNA | 1 |
| 1 | 2 | | DD81-02452A | SVC-FILTER COARSE; DW5500MM | SA | 1 |
| 2 | 2 | | DD81-02453A | SVC-FILTER MICRO; DW5500MM | SA | 1 |
| 3 | 2 | | DD81-02454A | SVC-FILTER FINE; DW5500MM | SA | 1 |
| 4 | 2 | | DD82-01496A | SVC ASSY-BASKET UPPER; DW5500MM | SA | 1 |
| 4-1 | 3 | | DD81-01330A | SVC-SCREW-HANDLE BASKET; DMM,SUS304,+FH,4 | SA | 2 |
| 4-2 | 3 | | DD81-01432A | SVC-ROLLER BASKET R; DWFN320,673003300001 | SA | 1 |
| 4-3 | 3 | | DD81-01433A | SVC-ROLLER BASKET L; DWFN320,673003300000 | SA | 1 |
| 4-4 | 3 | | DD81-01443A | SVC-BASKET ADJUSTER R; DWFN320 | SA | 1 |
| 4-5 | 3 | | DD81-01444A | SVC-BASKET ADJUSTER L; DWFN320 | SA | 1 |

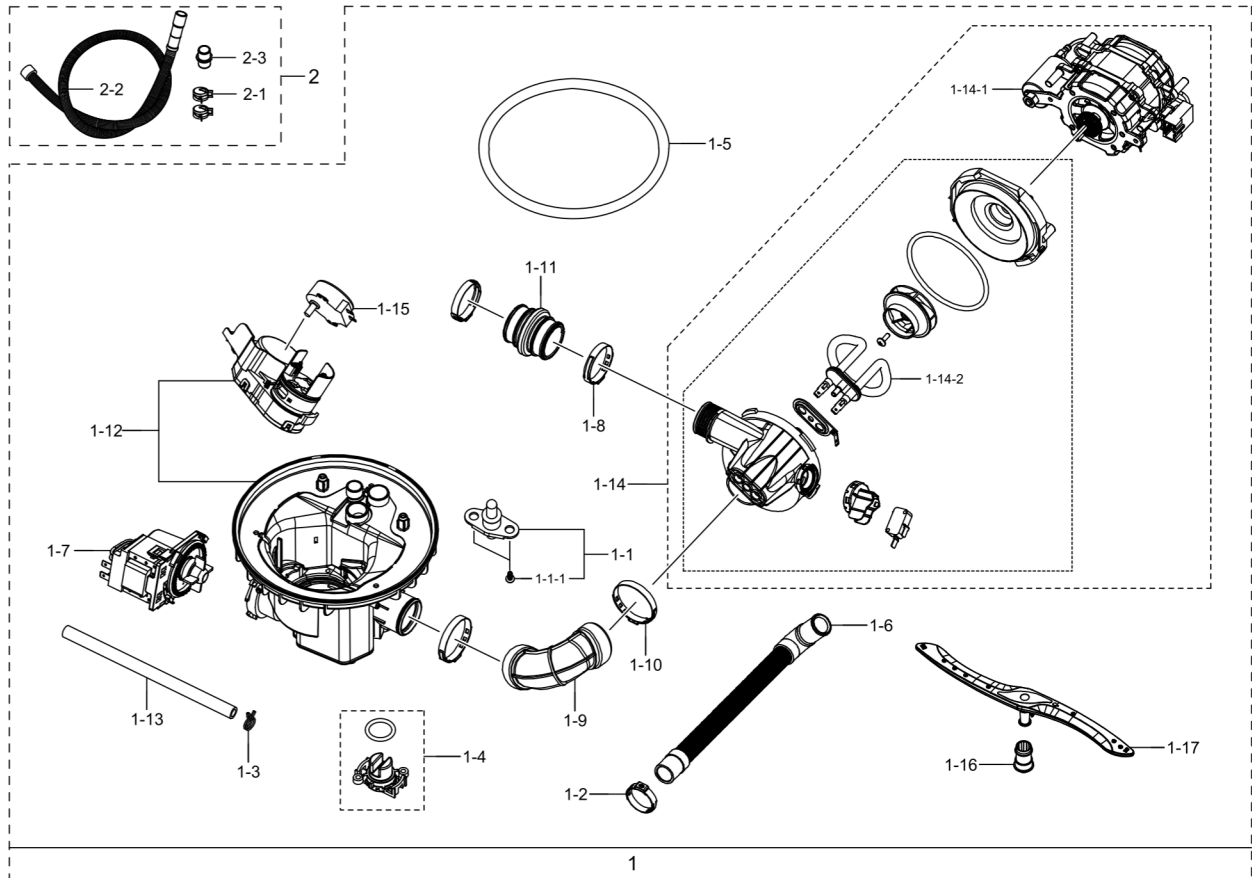
Exploded Views and Parts List

| No. | Lvl. | Loc. | Material Code | Description & Specification | SNA | Qty. |
|-------|------|------|---------------|--|-----|------|
| 4-6 | 3 | | DD82-01497A | SVC ASSY-HANDLE-BASKET; DW5500MM | SA | 1 |
| 4-7 | 3 | | DD82-01500A | SVC ASSY-MIDDLE NOZZLE; DW5500MM | SA | 1 |
| 4-7-1 | 4 | | DD81-01417A | SVC-NOZZLE MIDDLE RING; DWFN320,673001300 | SA | 2 |
| 4-7-2 | 4 | | DD81-01848A | SVC-NOZZLE MIDDLE; DW5000H | SA | 1 |
| 4-7-3 | 4 | | DD81-02469A | SVC-DUCT NOZZLE MIDDLE; DW5500MM | SA | 1 |
| 5 | 2 | | DD82-01498A | SVC ASSY-BASKET LOWER; DW5500MM | SA | 1 |
| 5-1 | 3 | | DD81-01330A | SVC-SCREW-HANDLE BASKET; DMM,SUS304,+FH,4 | SA | 2 |
| 5-2 | 3 | | DD81-01445A | SVC-ROLLER LOWER; DWFN320 | SA | 8 |
| 5-3 | 3 | | DD81-02512A | SVC-HOLDER WIRE; ODM, DW5500MM | SA | 2 |
| 5-4 | 3 | | DD82-01497A | SVC ASSY-HANDLE-BASKET; DW5500MM | SA | 2 |
| 5-5 | 3 | | DD81-01677A | SVC-WIRE TINE; DW60H6050,5050 | SNA | 2 |
| 5-6 | 3 | | DD81-01676A | SVC-HOLDER TINE; DW60H6050,5050 | SA | 2 |
| 5-7 | 3 | | DD81-01697A | SVC-REMOVABLE TINE; DW60H6050 | SA | 1 |
| 6 | 2 | | DD82-01499A | SVC ASSY-BASKET 3RD; DW5500MM | SA | 1 |
| 6-1 | 3 | | DD81-01672A | SVC-3RD RACK WIRE; DW60H6050 | SA | 1 |
| 7 | 2 | | DD82-01501A | SVC ASSY-DUCT NOZZLE; DW5500MM | SA | 1 |
| 7-1 | 3 | | DD81-02470A | SVC-COVER DUCT NOZZLE; DW5500MM | SA | 1 |
| 7-2 | 3 | | DD81-02509A | SVC-NOZZLE TOP; DW5500MM | SA | 1 |
| 7-3 | 3 | | DD81-02510A | SVC-NOZZLE TOP RING; DW5500MM | SA | 1 |

5. Assy Sump

Assy Sump

Exploded View



Parts List

| No. | Lvl. | Loc. | Material Code | Description & Specification | SNA | Qty. |
|-------|------|------|---------------|---|-----|------|
| 1 | 1 | | DD82-01444A | SVC ASSY-SUMP; 5500MM,ODM | SNA | 1 |
| 1-1 | 2 | | DD81-01279A | SVC-THERMISTOR; DMM,AC250V,674000900038 | SA | 1 |
| 1-1-1 | 3 | | DD81-02506A | SVC-SCREW THERMISTOR; DW5500MM | SNA | 2 |
| 1-2 | 2 | | DD81-01409A | SVC-CLAMP BEND 286; DWFN320,672000700003 | SA | 1 |
| 1-3 | 2 | | DD81-01410A | SVC-CLAMP 8.2; DWFN320,672000700014 | SA | 1 |
| 1-4 | 2 | | DD81-01423A | SVC-SENSOR SOIL; DWFN320,674000600142 | SA | 1 |
| 1-5 | 2 | | DD81-02449A | SVC-SEAL SUMP; DW5500MM | SA | 1 |
| 1-6 | 2 | | DD81-02450A | SVC-HOSE-DRAIN IN; DW5500MM | SA | 1 |
| 1-7 | 2 | | DD81-02451A | SVC PUMP-DRAIN; DW5500MM | SA | 1 |
| 1-8 | 2 | | DD81-02479A | SVC-HOSE PUMP OUT; DW5500MM | SA | 1 |

Exploded Views and Parts List

| No. | Lvl. | Loc. | Material Code | Description & Specification | SNA | Qty. |
|--------|------|------|---------------|--|-----|------|
| 1-9 | 2 | | DD81-02480A | SVC-HOSE PUMP IN; DW5500MM | SA | 1 |
| 1-10 | 2 | | DD81-02481A | SVC-CLAMPER HOSE OUT; DW5500MM | SA | 2 |
| 1-11 | 2 | | DD81-02482A | SVC-CLAMPER HOSE IN; DW5500MM | SA | 2 |
| 1-12 | 2 | | DD81-02507A | SVC-SUMP; DW5500MM | SA | 1 |
| 1-13 | 2 | | DD81-02508A | SVC-PVC HOSE; DW5500MM | SA | 1 |
| 1-14 | 2 | | DD82-01507A | SVC PUMP-WASH; DW5500MM | SA | 1 |
| 1-14-1 | 3 | | DD81-02360A | SVC PUMP-CIRCULATION; 5500MM,ODM | SA | 1 |
| 1-14-2 | 3 | | DD81-02361A | SVC-HEATER PUMP; 5500MM, ODM | SA | 1 |
| 1-15 | 2 | | DD81-02575A | SVC MOTOR-GEARED; DW5500MM | SA | 1 |
| 1-16 | 2 | | DD81-01414A | SVC-NOZZLE LOWER HOLDER; DWFN320,67300130 | SA | 1 |
| 1-17 | 2 | | DD81-01847A | SVC-NOZZLE LOWER; DW5000H | SA | 1 |
| 2 | 1 | | DD82-01712B | SVC ASSY-HOSE CONNECTOR KIT; DW4000RM,ODM | SA | 1 |
| 2-1 | 2 | | DD81-02739A | SVC-CLAMPER HOSE DRAIN; DW2900RM,12976000 | SA | 2 |
| 2-2 | 2 | | DD81-02863A | SVC-HOSE DRAIN; DW4000RM | SA | 1 |
| 2-3 | 2 | | DD81-02871A | SVC-HOSE CONNECTOR; DW4000RM | SA | 1 |