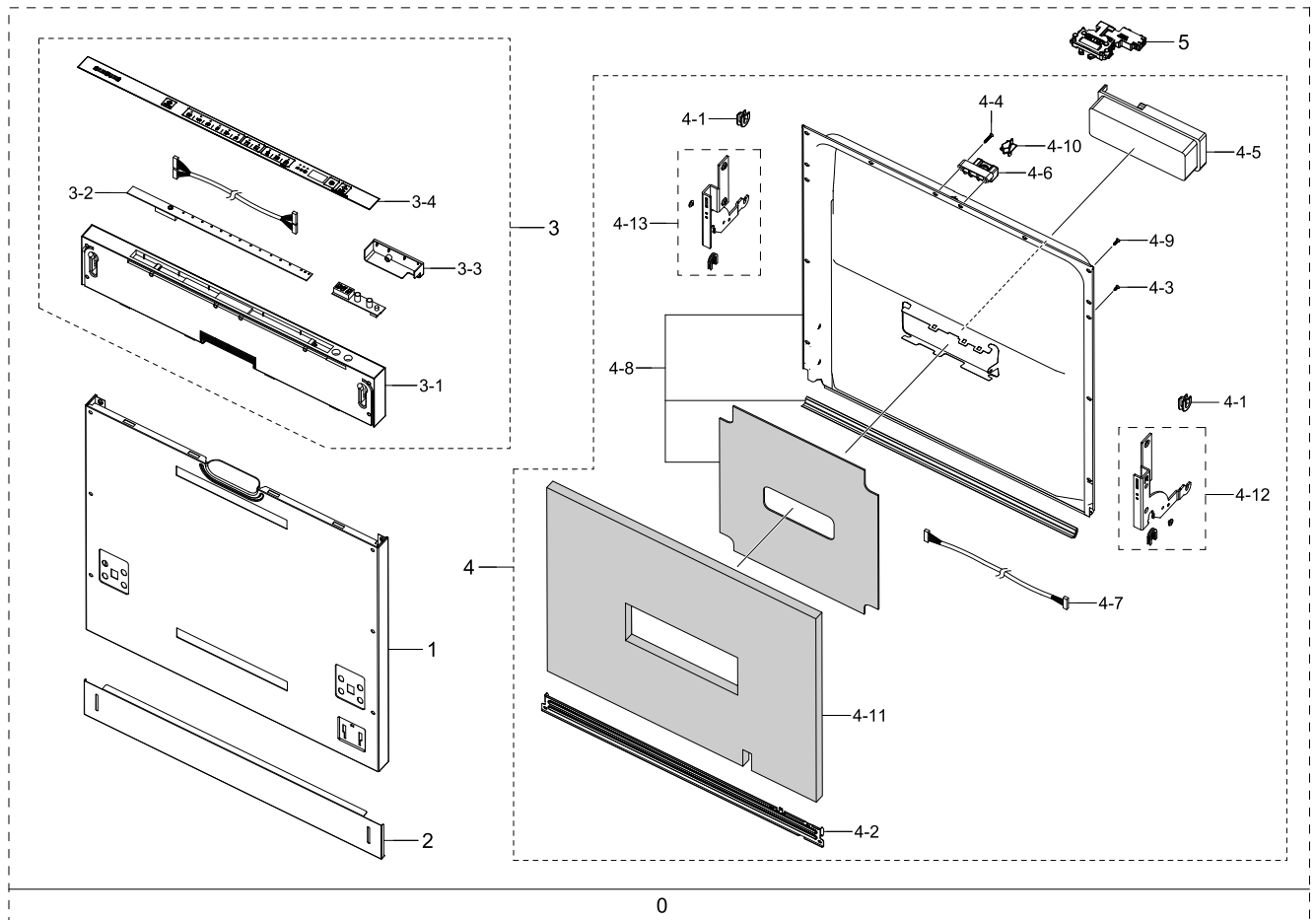


1. Assy Door

Exploded View



Parts List

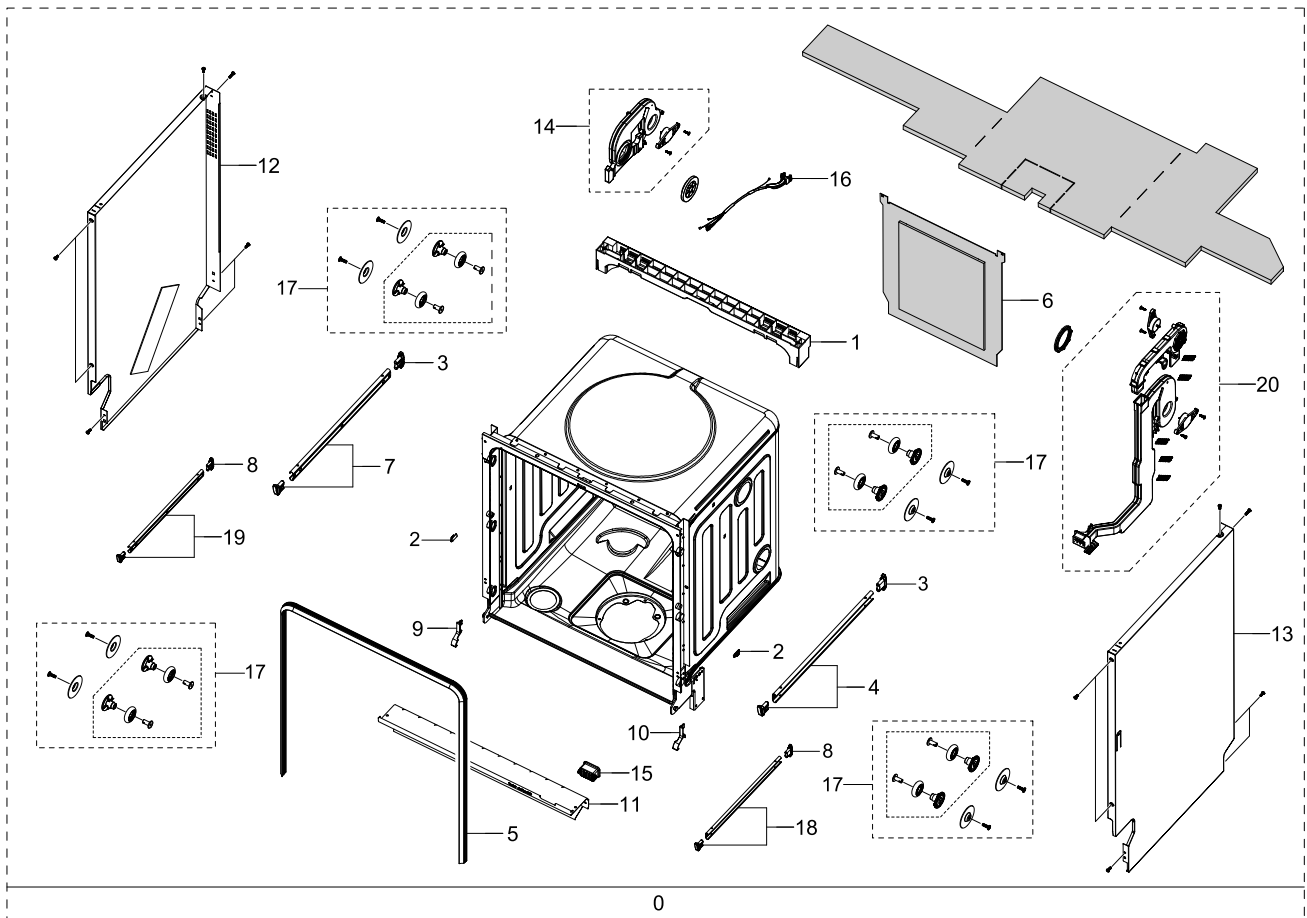
No.	Lvl.	Loc.	Material Code	Description & Specification	SNA	Qty.
0	1		DD82-01509A	A/S ASSY-DOOR; ODM, DW5500MM, FBI, 6050BB	SNA	1
1	2		DD81-02455A	A/S-DOOR OUTER; DW5500MM	SA	1
2	2		DD81-02522A	A/S-KICK BOARD; ODM, DW5500MM	SNA	1
3	2		DD82-01493A	A/S ASSY-CONTROL PANEL; DW5500MM	SA	1
3-1	3		DD81-02348A	A/S-CONTROL PANEL; 5500MM, ODM	SA	1
3-2	3		DD81-02463A	A/S-PBA SUB; DW5500MM	SA	1
3-3	3		DD81-02484A	A/S-COVER DISPLAY SEGMENT; DW5500MM	SA	1
3-4	3		DD81-02490A	A/S-WINDOW PANEL; DW5500MM, 6050BB	SA	1
4	2		DD82-01494A	A/S ASSY-INNER DOOR; DW5500MM	SA	1
4-1	3		DD81-01367A	A/S-GUIDE DOOR LINK; DWFN320,673001300075	SA	2
4-2	3		DD81-01368A	A/S-GEMEL LINK; DWFN320,672001200061,M24	SA	1

Exploded Views and Parts List

No.	Lvl.	Loc.	Material Code	Description & Specification	SNA	Qty.
4-3	3		DD81-01370A	A/S-SCREW DOOR S; DWFN320,672000900276,M2	SA	6
4-4	3		DD81-01371A	A/S-SCREW DOOR LOCK; DWFN320,672000900066	SA	2
4-5	3		DD81-02347A	A/S-DISPENSER RINSE AID; 5500MM, ODM	SA	1
4-6	3		DD81-02447A	A/S-HOLDER-DOOR LOCK; DW5500MM	SA	1
4-7	3		DD81-02460A	A/S-SUB WIRE HARNESS; DW5500MM	SA	1
4-8	3		DD81-02465A	A/S-DOOR INNER; DW5500MM	SA	1
4-9	3		DD81-02466A	A/S-SCREW DOOR; DW5500MM	SA	6
4-10	3		DD81-02492A	A/S-DOOR LOCK HOOK; DW5500MM	SA	1
4-11	3		DD81-02493A	A/S-ABSORBER DOOR INNER; DW5500MM	SA	1
4-12	3		DD82-01505A	A/S ASSY-DOOR LINK R; DW5500MM	SA	1
4-13	3		DD82-01506A	A/S ASSY-DOOR LINK L; DW5500MM	SA	1
5	2		DD81-02345A	A/S-DOOR SWITCH; 5500MM, ODM	SA	1

2. Assy Tub

Exploded View



Parts List

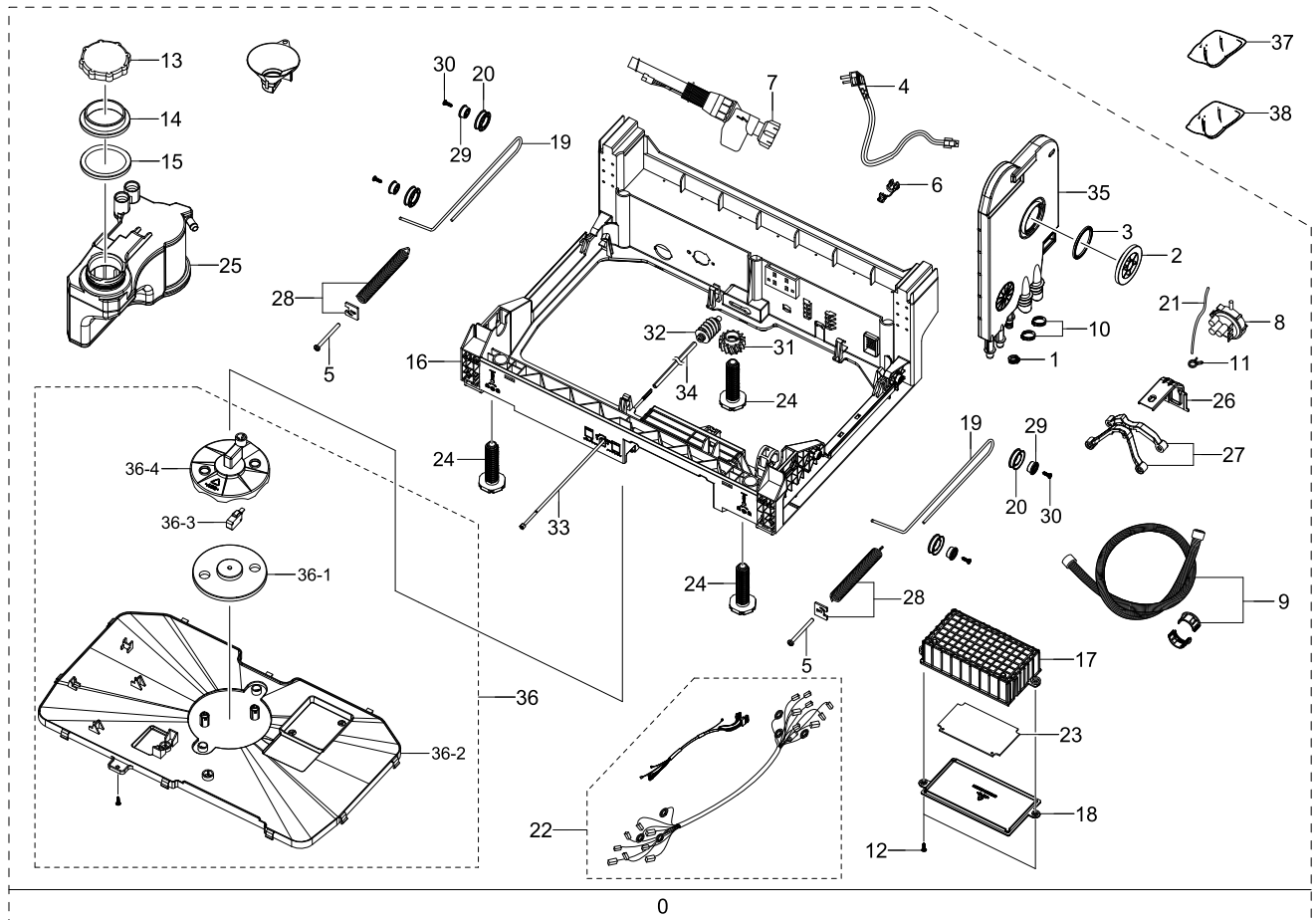
No.	Lvl.	Loc.	Material Code	Description & Specification	SNA	Qty.
0	1		DD82-01502A	A/S ASSY-TUB; DW5500MM	SNA	1
1	2		DD81-01373A	A/S-REAR CROSSPIECE; DWFN320,673003100010	SA	1
2	2		DD81-01375A	A/S-DOOR REVISE CAP; DWFN320,673000910006	SA	2
3	2		DD81-01378A	A/S-STOPPER RAIL REAR; DWFN320,6730013005	SA	2
4	2		DD81-01379A	A/S-RAIL BASKET ASSY L; DWFN320,672001700	SA	1
5	2		DD81-01381A	A/S-GASKET TUB; DWFN320,673001700109,EPDM	SA	1
6	2		DD81-01385A	A/S-BACK BOARD; DWFN320,673000102002,M24	SA	1
7	2		DD81-01413A	A/S-RAIL BASKET ASSY R; DWFN320,672001700	SA	1
8	2		DD81-01674A	A/S-STOPPER RAIL REAR 3RD; DW60H6050	SA	2

Exploded Views and Parts List

No.	Lvl.	Loc.	Material Code	Description & Specification	SNA	Qty.
9	2		DD81-01843A	A/S-TUB SEAL L; DW5000H,DW60H6050FS/FW, A	SA	1
10	2		DD81-01844A	A/S-TUB SEAL R; DW5000H,DW60H6050FS/FW, A	SA	1
11	2		DD81-02446A	A/S-FRAME FRONT; DW5500MM	SA	1
12	2		DD81-02457A	A/S-SIDE PANEL L; DW5500MM	SA	1
13	2		DD81-02458A	A/S-SIDE PANEL R; DW5500MM	SA	1
14	2		DD81-02461A	A/S-CASE DRY; DW5500MM	SA	1
15	2		DD81-02504A	A/S-COVER DRY DUCT; DW5500MM	SA	1
16	2		DD81-02505A	A/S-WIRE HARNESS SUB2; DW5500MM	SA	1
17	2		DD82-01140A	A/S ASSY-RAIL SUPPORT; DW60H6050,5050,301	SA	4
18	2		DD82-01169A	A/S ASSY-RAIL BASKET 3RD R; DW60H6050	SA	1
19	2		DD82-01170A	A/S ASSY-RAIL BASKET 3RD L; DW60H6050	SA	1
20	2		DD82-01504A	A/S ASSY-DUCT DRY; DW5500MM	SA	1

3. Assy Base

Exploded View



Parts List

No.	Lvl.	Loc.	Material Code	Description & Specification	SNA	Qty.
0	1		DD82-01443A	A/S ASSY-BASE; 5500MM, ODM	SNA	1
1	2		DD81-01145A	CLAMP-BEND 175; DMM,-,Midea9347,OTK175,-,	SA	1
2	2		DD81-01387A	A/S-AIR BREAKER NUT; DWFN320,673001600058	SA	2
3	2		DD81-01388A	A/S-SEAL RING; DWFN320,673001500075,EPDM,	SA	3
4	2		DD81-01391A	A/S-POWER CORD; DWFN320,674000000187,M24	SA	1
5	2		DD81-01400A	A/S-ADJUSTER SPRING; DWFN320,672001100016	SA	2
6	2		DD81-01404A	A/S-POWER CORD HOOK; DWFN320,673001400083	SA	1
7	2		DD81-01405A	A/S-INLET HOSE ASSY; DWFN320,674000200041	SA	1

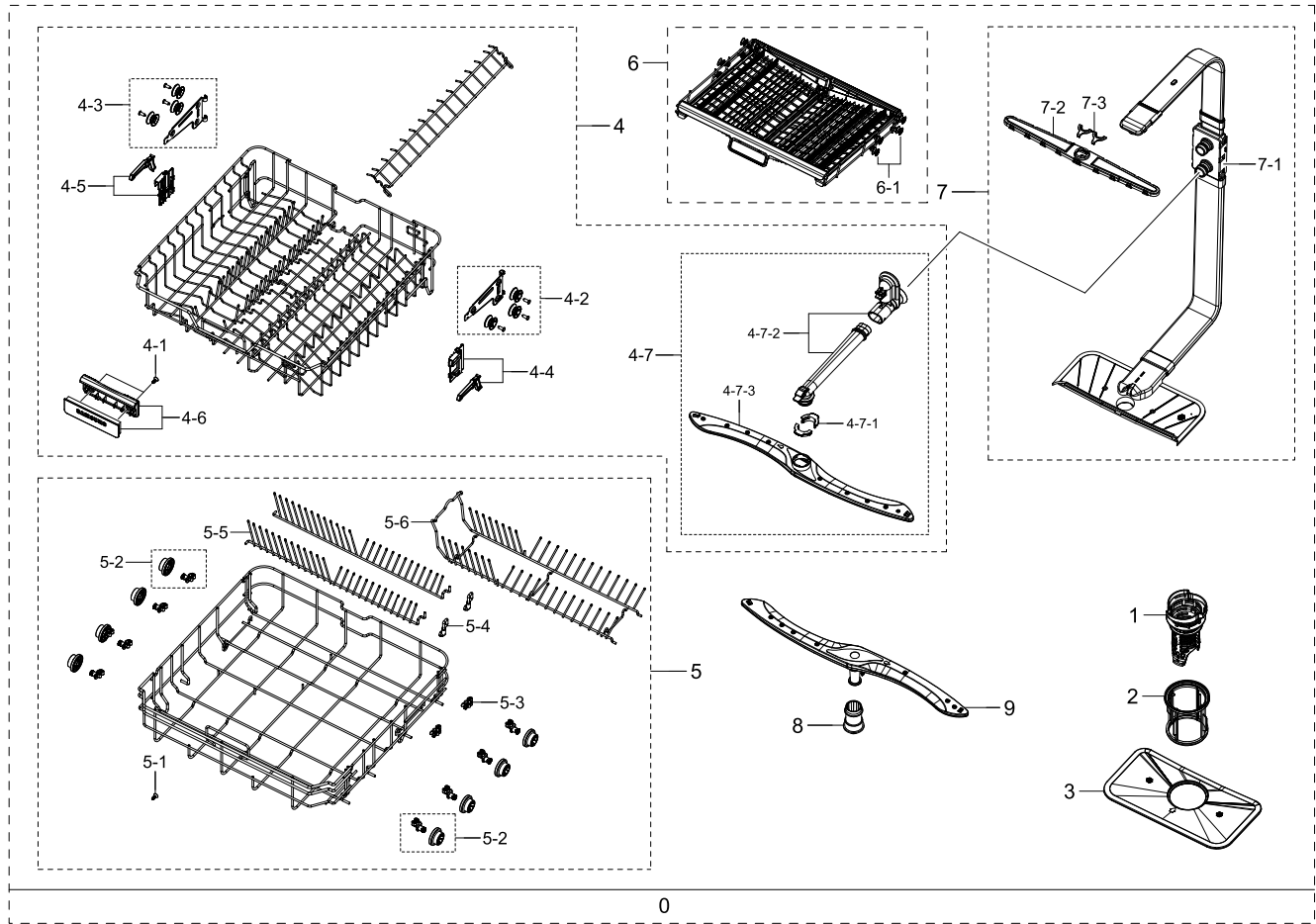
Exploded Views and Parts List

No.	Lvl.	Loc.	Material Code	Description & Specification	SNA	Qty.
8	2		DD81-01407A	A/S-PRESSURE SWITCH; DWFN320,674000300072	SA	1
9	2		DD81-01408A	A/S-HOSE DRAIN; DWFN320,673000900292,TPE+	SA	1
10	2		DD81-01409A	A/S-CLAMP BEND 286; DWFN320,672000700003,	SA	3
11	2		DD81-01410A	A/S-CLAMP 8.2; DWFN320,672000700014,65Mn,	SA	2
12	2		DD81-01437A	A/S-SCREW PCB; DWFN320,672000900027,L9,M2	SA	2
13	2		DD81-01678A	A/S-CASE SOFTENER; DW60H6050,5050,3010	SA	1
14	2		DD81-01680A	A/S-NUT SOFTENER; DW60H6050,5050,3010	SA	1
15	2		DD81-01681A	A/S-GASKET SOFTENER; DW60H6050,5050,3010	SA	1
16	2		DD81-02353A	A/S-BASE; 5500MM, ODM	SA	1
17	2		DD81-02354A	A/S-COVER PCB; 5500MM, ODM	SA	1
18	2		DD81-02355A	A/S-GUIDE COVER PCB; 5500MM, ODM	SA	1
19	2		DD81-02356A	A/S-HOLDER ROPE DOOR; 5500MM, ODM	SA	2
20	2		DD81-02358A	A/S-ROLLER; 5500MM, ODM	SA	4
21	2		DD81-02448A	A/S-HOSE PRESSURE SWITCH; DW5500MM	SA	1
22	2		DD81-02456A	A/S-MAIN WIRE HARNESS; DW5500MM	SA	1
23	2		DD81-02459A	A/S-PBA MAIN; DW5500MM	SA	1
24	2		DD81-02462A	A/S-BASE FOOT; DW5500MM	SA	3
25	2		DD81-02472A	A/S-WATER SOFTNER; DW5500MM	SA	1
26	2		DD81-02477A	A/S-BRACKET BASE; DW5500MM	SA	1
27	2		DD81-02478A	A/S-HOLDER BRAK CET BASE; DW5500MM	SA	1
28	2		DD81-02494A	A/S-DOOR SPRING; DW5500MM, FBI,SBI	SA	2
29	2		DD81-02498A	A/S-ROLLER SUB; DW5500MM	SA	4
30	2		DD81-02499A	A/S-ROLLER SCREW; DW5500MM	SA	4
31	2		DD81-02500A	A/S-GEAR HALICAL; DW5500MM	SA	1
32	2		DD81-02501A	A/S-GEAR WARM; DW5500MM	SA	1
33	2		DD81-02502A	A/S-SHAFT; DW5500MM	SA	1
34	2		DD81-02503A	A/S-COVER SHAFT; DW5500MM	SA	1
35	2		DD82-01446A	A/S ASSY-CASE BRAKE; 5500MM, ODM	SA	1
36	2		DD82-01492A	A/S ASSY-COVER BASE; DW5500MM	SA	1
36-1	3		DD81-02288A	A/S-CUSION SENSOR LEAKAGE; ODM, DW3000MM	SA	1
36-2	3		DD81-02357A	A/S-COVER BASE; 5500MM, ODM	SA	1
36-3	3		DD81-02495A	A/S-MICRO SWITCH; DW5500MM	SA	1
36-4	3		DD81-02496A	A/S-COVER SENSOR LEAKAGE; DW5500MM	SA	1

No.	Lvl.	Loc.	Material Code	Description & Specification	SNA	Qty.
37	1		DD81-02609A	A/S-CLAMPER KIT; DW5500MM,ODM,Only for SV	SA	1
38	1		DD82-01578A	A/S ASSY-INSTALLATION KIT; DW5500MM,ODM,F	SA	1

4. Assy Washer

Exploded View



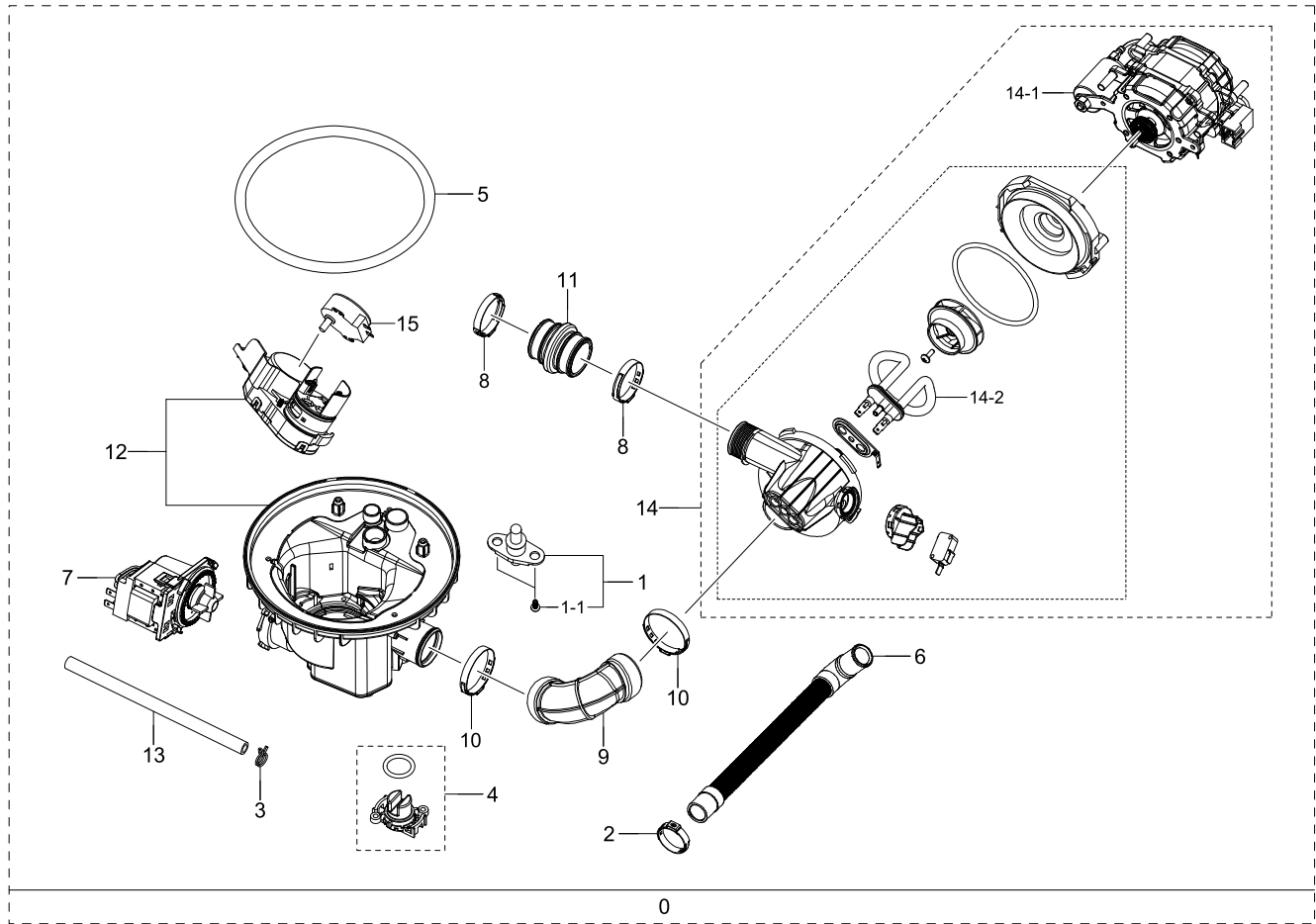
Parts List

No.	Lvl.	Loc.	Material Code	Description & Specification	SNA	Qty.
0	1		DD82-01508C	A/S ASSY-WASH; ODM, DW5500MM, 6051	SNA	1
1	2		DD81-02452A	A/S-FILTER COARSE; DW5500MM	SA	1
2	2		DD81-02453A	A/S-FILTER MICRO; DW5500MM	SA	1
3	2		DD81-02454A	A/S-FILTER FINE; DW5500MM	SA	1
4	2		DD82-01496A	A/S ASSY-BASKET UPPER; DW5500MM	SA	1
4-1	3		DD81-01330A	SCREW-HANDLE BASKET; DMM,SUS304,+FH,4*10,	SA	2
4-2	3		DD81-01432A	A/S-ROLLER BASKET R; DWFN320,673003300001	SA	1
4-3	3		DD81-01433A	A/S-ROLLER BASKET L; DWFN320,673003300000	SA	1
4-4	3		DD81-01443A	A/S-BASKET ADJUSTER R; DWFN320,M24	SA	1
4-5	3		DD81-01444A	A/S-BASKET ADJUSTER L; DWFN320,M24	SA	1
4-6	3		DD82-01497A	A/S ASSY-HANDLE-BASKET; DW5500MM	SA	1

No.	Lvl.	Loc.	Material Code	Description & Specification	SNA	Qty.
4-7	3		DD82-01500A	A/S ASSY-MIDDLE NOZZLE; DW5500MM	SA	1
4-7-1	4		DD81-01417A	A/S-NOZZLE MIDDLE RING; DWFN320,673001300	SA	2
4-7-2	4		DD81-01848A	A/S-NOZZLE MIDDLE; DW5000H,DW60H6050FS/FW	SA	1
4-7-3	4		DD81-02469A	A/S-DUCT NOZZLE MIDDLE; DW5500MM	SA	1
5	2		DD82-01498C	A/S ASSY-BASKET LOWER; ODM, DW5500MM, 605	SA	1
5-1	3		DD81-01330A	SCREW-HANDLE BASKET; DMM,SUS304,+FH,4*10,	SA	2
5-2	3		DD81-01445A	A/S-ROLLER LOWER ASSY; DWFN320,M24	SA	8
5-3	3		DD81-02512A	A/S-HOLDER WIRE; ODM, DW5500MM	SA	2
5-4	3		DD81-01676A	A/S-HOLDER TINE; DW60H6050,5050	SA	2
5-5	3		DD81-01677A	A/S-WIRE TINE; DW60H6050,5050	SNA	2
5-6	3		DD81-01697A	A/S-REMOVABLE TINE; DW60H6050,REMOVABLE T	SA	1
6	2		DD82-01499A	A/S ASSY-BASKET 3RD; DW5500MM	SA	1
6-1	3		DD81-01672A	A/S-3RD RACK WIRE; DW60H6050	SA	1
7	2		DD82-01501A	A/S ASSY-DUCT NOZZLE; DW5500MM	SA	1
7-1	3		DD81-02470A	A/S-COVER DUCT NOZZLE; DW5500MM	SA	1
7-2	3		DD81-02509A	A/S-NOZZLE TOP; DW5500MM	SA	1
7-3	3		DD81-02510A	A/S-NOZZLE TOP RING; DW5500MM	SA	1
8	2		DD81-01414A	A/S-NOZZLE LOWER HOLDER; DWFN320,67300130	SA	1
9	2		DD81-01847A	A/S-NOZZLE LOWER; DW5000H,DW60H6050FS/FW,	SA	1

5. Assy Sump

Exploded View



Parts List

No.	Lvl.	Loc.	Material Code	Description & Specification	SNA	Qty.
0	1		DD82-01444A	A/S ASSY-SUMP; 5500MM, ODM	SNA	1
1	2		DD81-01279A	THERMISTOR; DMM,AC250V,674000900038	SA	1
1-1	3		DD81-02506A	A/S-SCREW THERMISTOR; DW5500MM	SNA	2
2	2		DD81-01409A	A/S-CLAMP BEND 286; DWFN320,672000700003,	SA	3
3	2		DD81-01410A	A/S-CLAMP 8.2; DWFN320,672000700014,65Mn,	SA	2
4	2		DD81-01423A	A/S-SENSER SOIL; DWFN320,674000600142,M24	SA	1
5	2		DD81-02449A	A/S-SEAL SUMP; DW5500MM	SA	1
6	2		DD81-02450A	A/S-HOSE-DRAIN IN; DW5500MM	SA	1
7	2		DD81-02451A	A/S-PUMP-DRAIN; DW5500MM	SA	1
8	2		DD81-02479A	A/S-HOSE PUMP OUT; DW5500MM	SA	1
9	2		DD81-02480A	A/S-HOSE PUMP IN; DW5500MM	SA	1

No.	Lvl.	Loc.	Material Code	Description & Specification	SNA	Qty.
10	2		DD81-02481A	A/S-CLAMPER HOSE OUT; DW5500MM	SA	2
11	2		DD81-02482A	A/S-CLAMPER HOSE IN; DW5500MM	SA	2
12	2		DD81-02507A	A/S-SUMP; DW5500MM	SA	1
13	2		DD81-02508A	A/S-PVC HOSE; DW5500MM	SA	1
14	2		DD82-01507A	A/S ASSY-WASH PUMP; DW5500MM	SA	1
14-1	3		DD81-02360A	A/S-PUMP CIRCULATION; 5500MM, ODM	SA	1
14-2	3		DD81-02361A	A/S-HEATER PUMP; 5500MM, ODM	SA	1
15	2		DD81-02575A	A/S-MOTOR GEARED; DW5500MM	SA	1