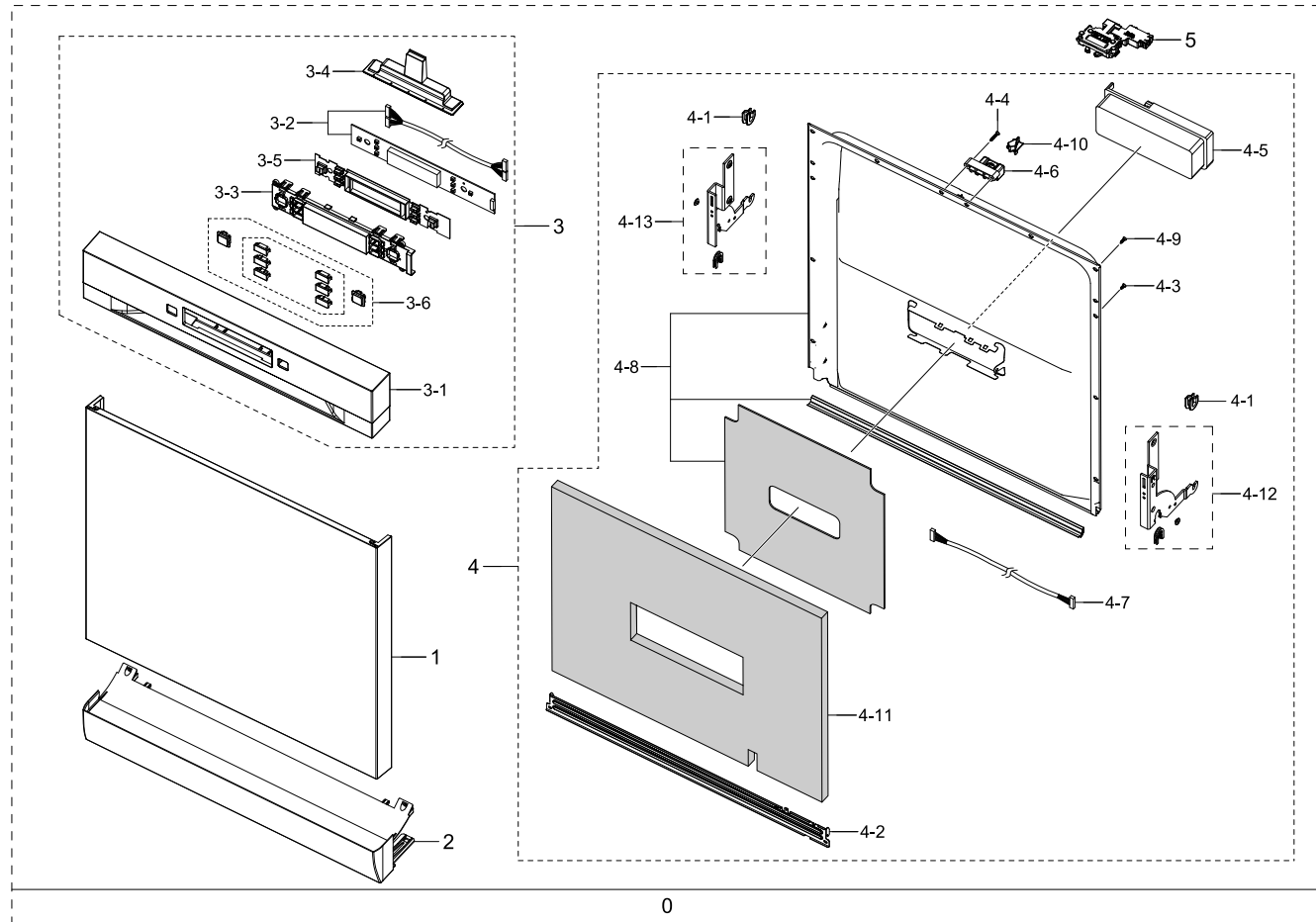


1. Assy Door

Assy Door

Exploded View



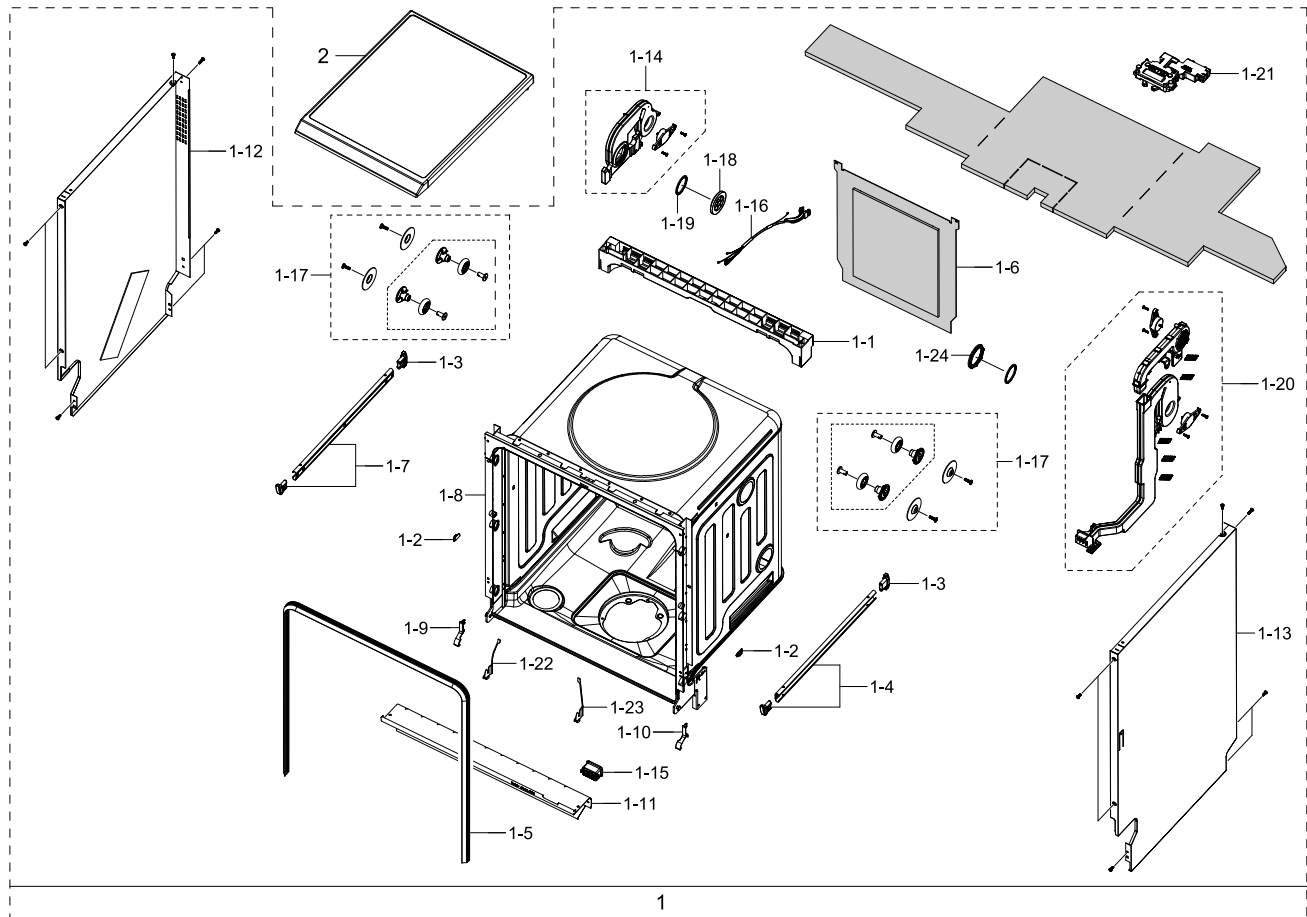
Parts List

No.	Lvl.	Loc.	Material Code	Description & Specification	SNA	Qty.
0	1		DD82-01544D	A/S ASSY-DOOR; ODM, DW5500MM, 6040, FW,WH	SNA	1
1	2		DD81-02521B	A/S-DOOR OUTER; ODM, DW5500MM,FS,BU,white	SA	1
2	2		DD81-01650A	A/S-KICK BOARD; DW60H6050,ABS,WHITE	SA	1
3	2		DD82-01519D	A/S ASSY-CONTROL PANEL; ODM, DW5500MM, FW	SA	1
3-1	3		DD81-02516C	A/S-CONTROL PANEL; ODM, DW5500MM,FS,BU,SB	SA	1
3-2	3		DD81-02517B	A/S-PBA SUB; DW5500MM,6040,FS,BU,SBI	SA	1
3-3	3		DD81-02518A	A/S-WINDOW PANEL; DW5500MM,6050,FS,BU,SBI	SA	1

2. Assy Tub

Assy Tub

Exploded View



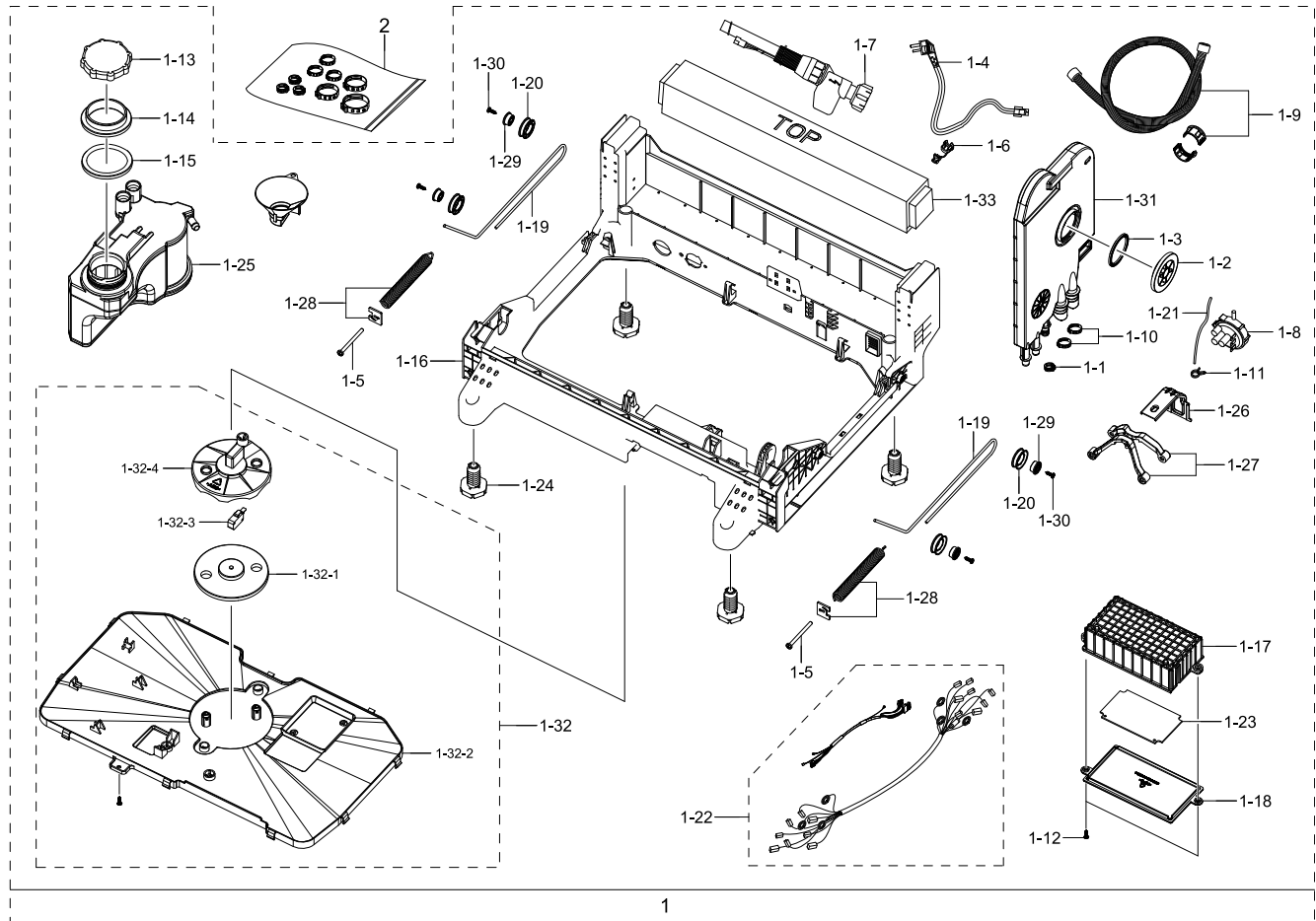
Parts List

No.	Lvl.	Loc.	Material Code	Description & Specification	SNA	Qty.
1	1		DD82-01502F	SVC ASSY-TUB; ODM,6040,FS,WHITE	SNA	1
1-1	2		DD81-01373A	SVC-REAR CROSSPIECE; DWFN320,673003100010	SA	1
1-2	2		DD81-01375A	SVC-DOOR REVISE CAP; DWFN320,673000910006	SA	2
1-3	2		DD81-01378A	SVC-STOPPER RAIL REAR; DWFN320,6730013005	SA	2
1-4	2		DD81-01379A	SVC-RAIL BASKET L; DWFN320,672001700025	SA	1
1-5	2		DD81-01381A	SVC-GASKET TUB; DWFN320,673001700109	SA	1
1-6	2		DD81-01385A	SVC-BACK BOARD; DWFN320,673000102002	SA	1
1-7	2		DD81-01413A	SVC-RAIL BASKET R; DWFN320,672001700026	SA	1
1-8	2		DD82-01503A	SVC ASSY-GROSS TUB; DW5500MM	SNA	1
1-9	2		DD81-01843A	SVC-TUB SEAL L; DW5000H	SA	1

3. Assy Base

Assy Base

Exploded View



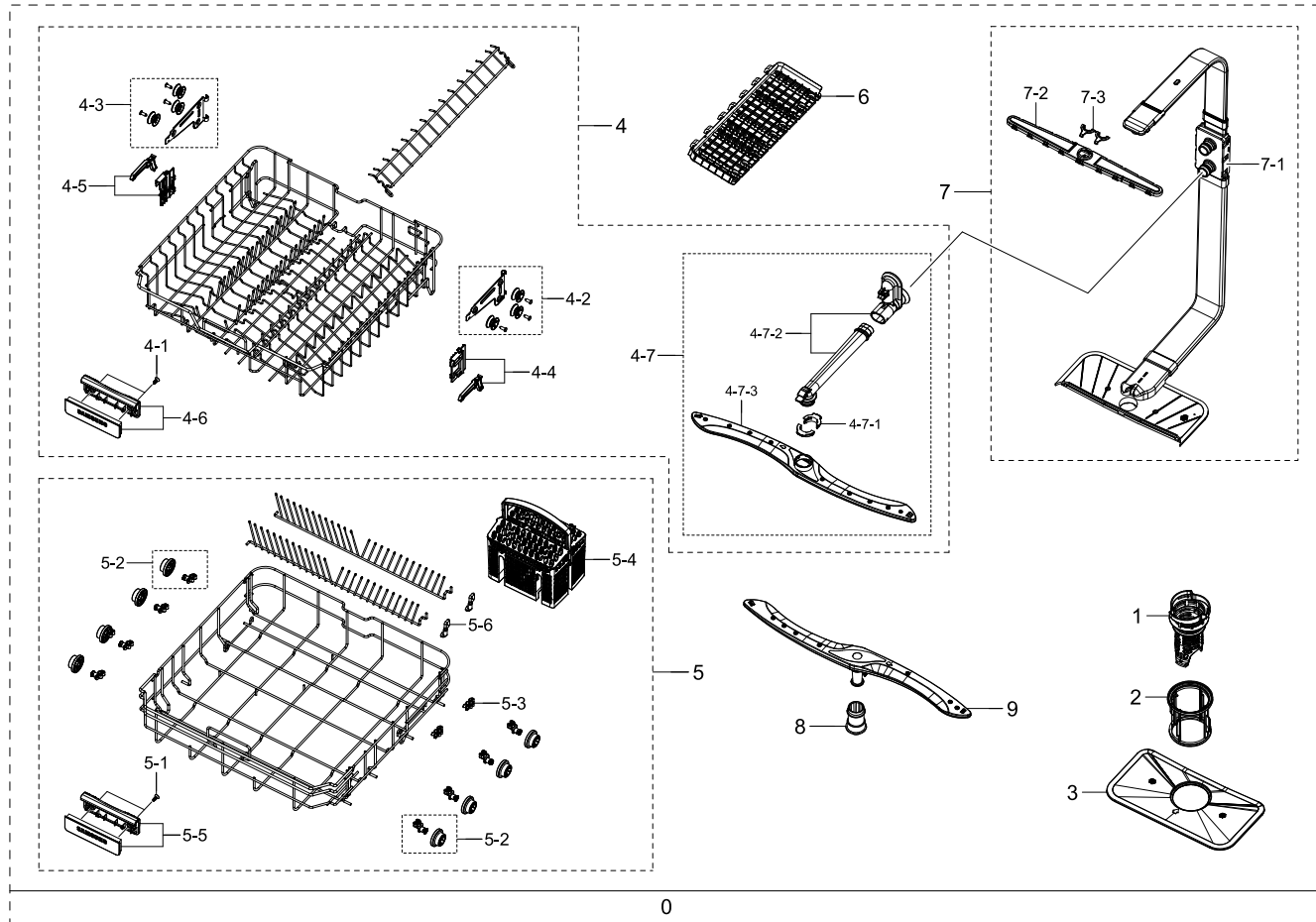
Parts List

No.	Lvl.	Loc.	Material Code	Description & Specification	SNA	Qty.
1	1		DD82-01545B	A/S ASSY-BASE; DW5500MM,6040**,FS	SNA	1
1-1	2		DD81-01145A	CLAMP-BEND 175; DMM,-,Midea9347,OTK175,-,	SA	1
1-2	2		DD81-01387A	A/S-AIR BREAKER NUT; DWFN320,673001600058	SA	1
1-3	2		DD81-01388A	A/S-SEAL RING; DWFN320,673001500075,EPDM,	SA	1
1-4	2		DD81-01391A	A/S-POWER CORD; DWFN320,674000000187,M24	SA	1
1-5	2		DD81-01400A	A/S-ADJUSTER SPRING; DWFN320,672001100016	SA	2
1-6	2		DD81-01404A	A/S-POWER CORD HOOK; DWFN320,673001400083	SA	1

4. Assy Washer

Assy Washer

Exploded View



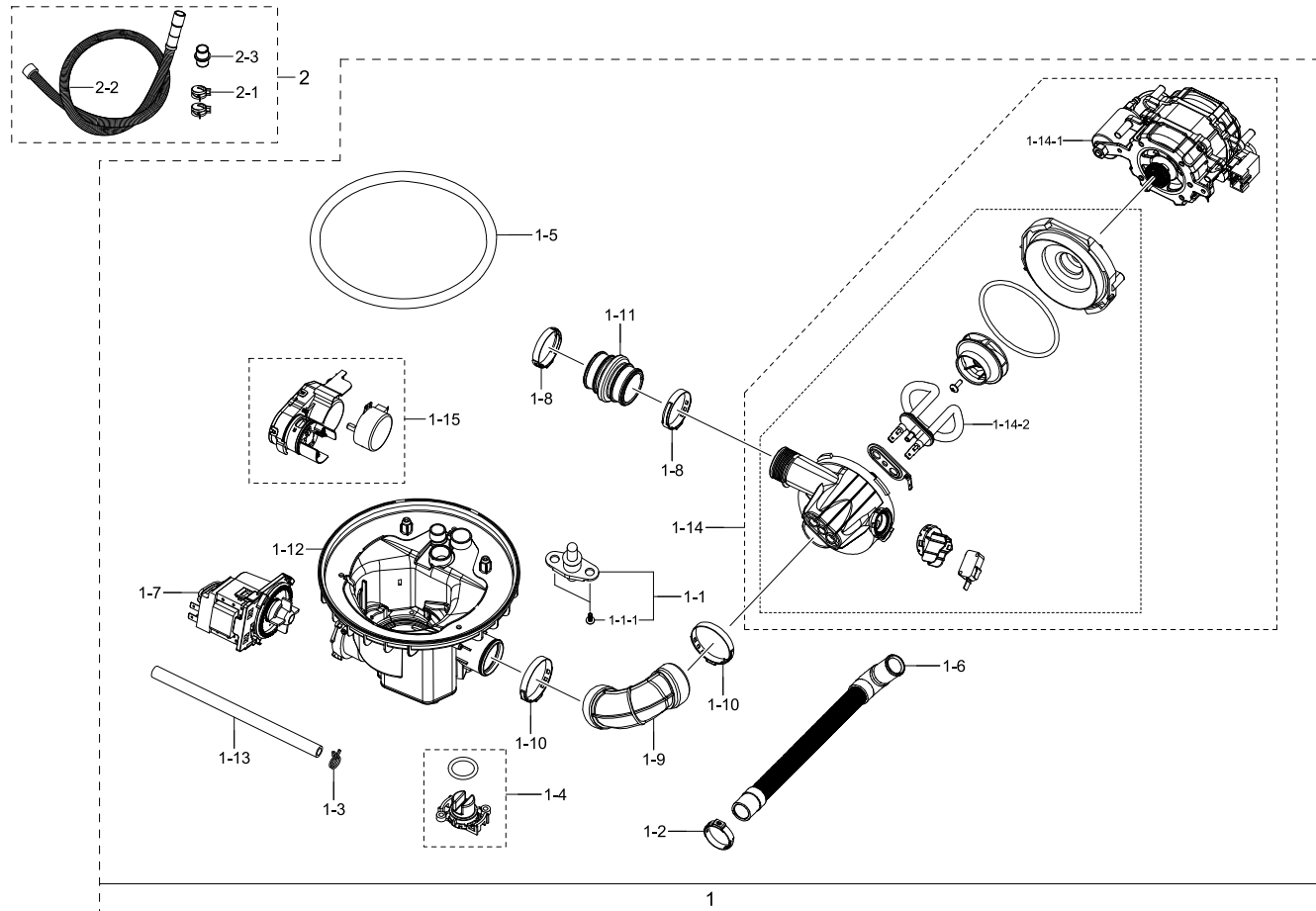
Parts List

No.	Lvl.	Loc.	Material Code	Description & Specification	SNA	Qty.
0	1		DD82-01508B	A/S ASSY-WASH; ODM, DW5500MM, 6040	SNA	1
1	2		DD81-02452A	A/S-FILTER COARSE; DW5500MM	SA	1
2	2		DD81-02453A	A/S-FILTER MICRO; DW5500MM	SA	1
3	2		DD81-02454A	A/S-FILTER FINE; DW5500MM	SA	1
4	2		DD82-01496B	A/S ASSY-BASKET UPPER; DW5500MM,ODM,6040,	SA	1
4-1	3		DD81-01330A	SCREW-HANDLE BASKET; DMM,SUS304,+FH,4*10,	SA	2
4-2	3		DD81-01432A	A/S-ROLLER BASKET R; DWFN320,673003300001	SA	1
4-3	3		DD81-01433A	A/S-ROLLER BASKET L; DWFN320,673003300000	SA	1
4-4	3		DD81-01443A	A/S-BASKET ADJUSTER R; DWFN320,M24	SA	1

5. Assy Sump

Assy Sump

Exploded View



Parts List

No.	Lvl.	Loc.	Material Code	Description & Specification	SNA	Qty.
1	1		DD82-01444A	SVC ASSY-SUMP; 5500MM,ODM	SNA	1
1-1	2		DD81-01279A	SVC-THERMISTOR; DMM,AC250V,674000900038	SA	1
1-1-1	3		DD81-02506A	SVC-SCREW THERMISTOR; DW5500MM	SNA	2
1-2	2		DD81-01409A	SVC-CLAMP BEND 286; DWFN320,672000700003	SA	3
1-3	2		DD81-01410A	SVC-CLAMP 8.2; DWFN320,672000700014	SA	2
1-4	2		DD81-01423A	SVC-SENSER SOIL; DWFN320,674000600142	SA	1
1-5	2		DD81-02449A	SVC-SEAL SUMP; DW5500MM	SA	1
1-6	2		DD81-02450A	SVC-HOSE-DRAIN IN; DW5500MM	SA	1
1-7	2		DD81-02451A	SVC PUMP-DRAIN; DW5500MM	SA	1
1-8	2		DD81-02479A	SVC-HOSE PUMP OUT; DW5500MM	SA	1