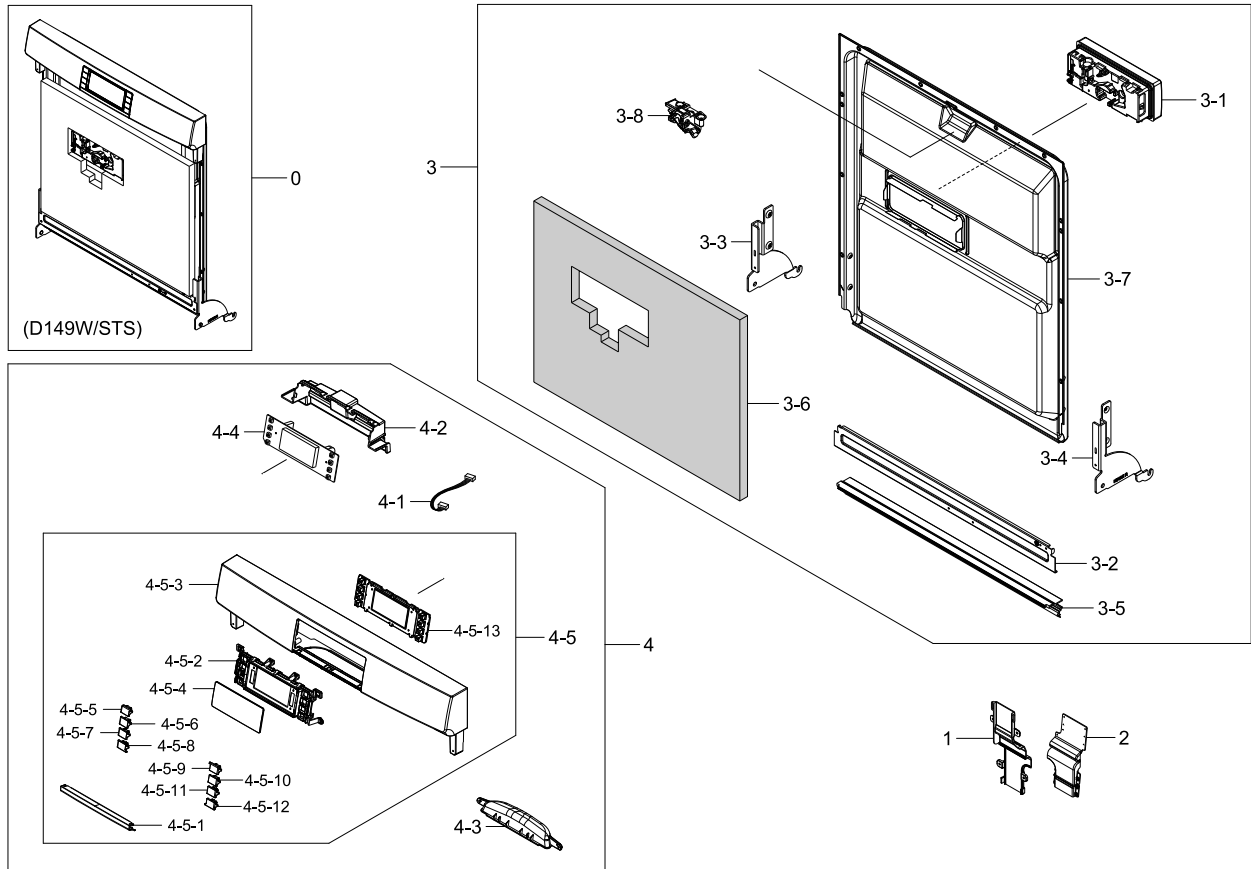


# 1. ASSY DOOR

## Exploded View

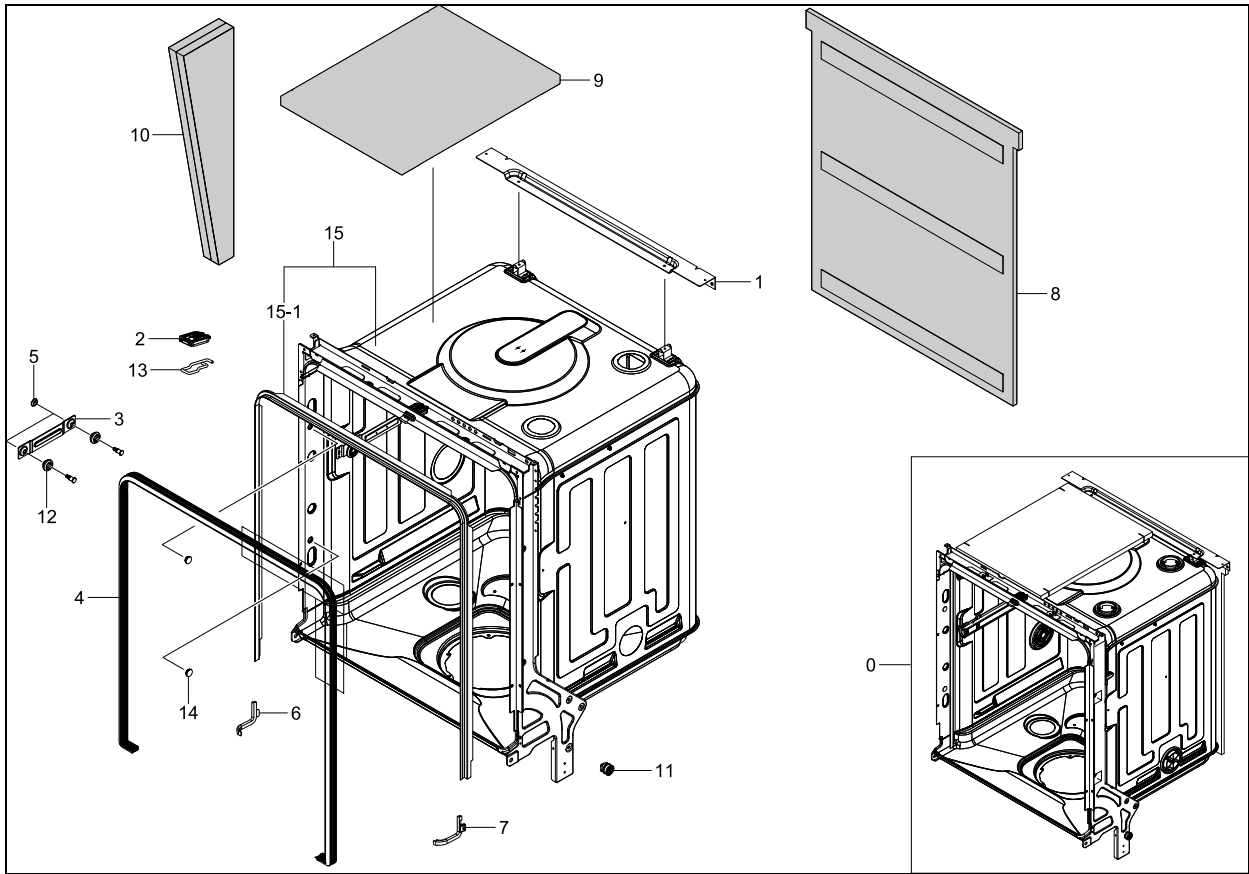


## Parts List

No.	Parent	Lvl.	Loc.	Material Code	Description & Specification	SNA	Qty.
0	DW5363PGBSL/EF	1	D049	DD90-00408A	ASSY DOOR; GALA-E,DW5363PGBSL/XEF	SNA	1
1	DD90-00408A	2		DD63-00151A	COVER-WIRE HARNESS DOOR; GALA-E,PP	SNA	1
2	DD90-00408A	2		DD63-00152A	COVER-WIRE HARNESS BASE; GALA-E,PP	SNA	1
3	DD90-00408A	2		DD94-01089B	ASSY DOOR-INNER; GALA-E,FS	SA	1
3-1	DD94-01089B	3		DD59-01002A	DISPENSER-SLIDE; DM-BG970T,10.0998.2X,PP	SA	1
3-2	DD94-01089B	3		DD61-00316A	BRACKET-INNER DOOR; GI-SGCC,T1.2,70,575	SNA	1
3-3	DD94-01089B	3	A079	DD61-00321A	HINGE-LEFT; SECC,T3.0,NICR COATING	SA	1
3-4	DD94-01089B	3	A078	DD61-00322A	HINGE-RIGHT; SECC,T3.0,NICR COATING	SA	1

# 1.1. ASSY TUB

## Exploded View

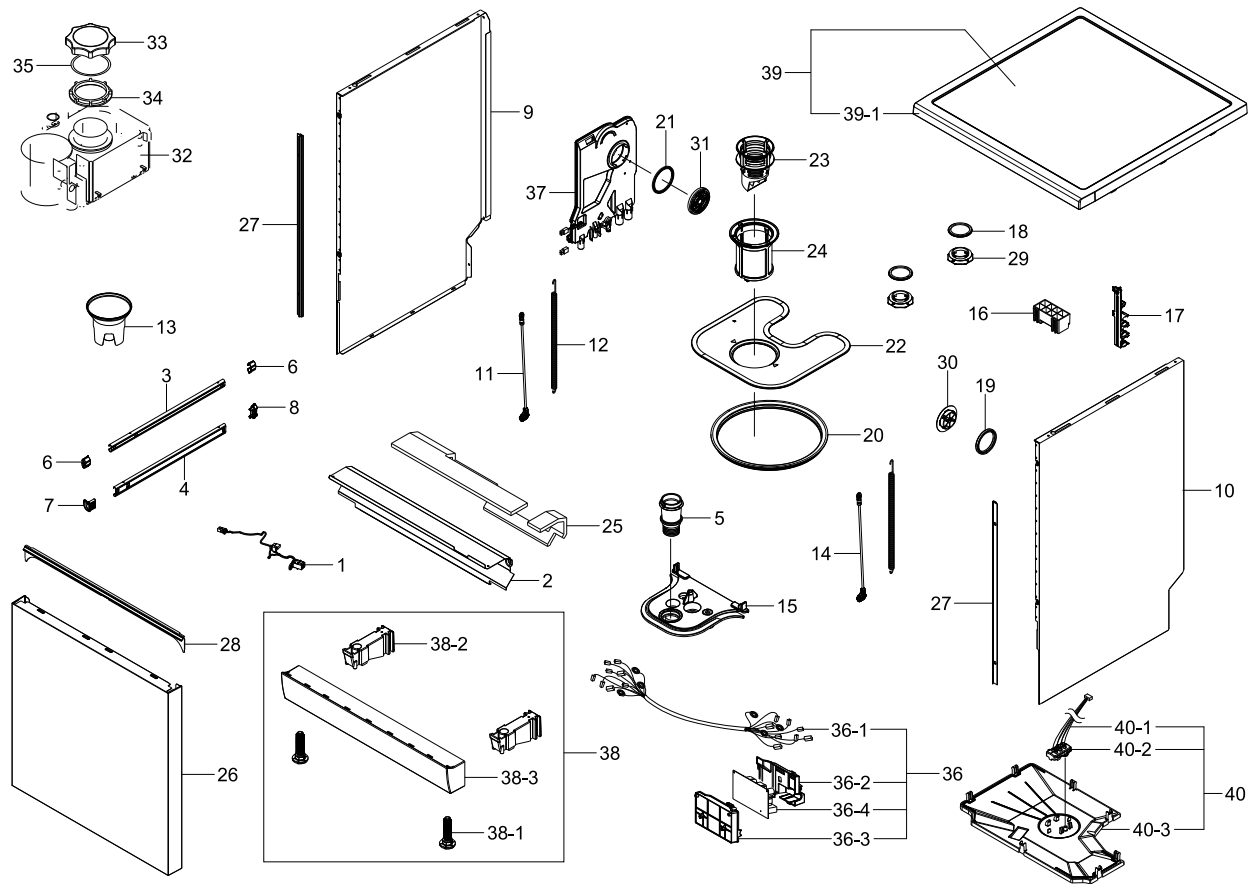


## Parts List

No.	Parent	Lvl.	Loc.	Material Code	Description & Specification	SNA	Qty.
0	DW5363PGBSL/EF	1		DD94-01072E	ASSY TUB; GALA-E,DW-FG720(W,S)	SNA	1
1	DD94-01072E	2	M191	DD61-00318A	BRACKET-TOP PLATE; GI-SGCC,T1.0,220,564	SA	1
2	DD94-01072E	2		DD61-00379A	HOLDER-WIRE LATCH; GALA-E,POM,F20-03, NCG	SA	1
3	DD94-01072E	2		DD61-00387A	BRACKET-TUB 3RD; GALA-E,STS304,T1.2	SA	2
4	DD94-01072E	2		DD62-00097A	SEAL-TUB PACKING; GALA-E,TPV,EP5045	SA	1
5	DD94-01072E	2		DD62-00099A	SEAL-3RD RACK; GALA-E,EPDM	SA	4
6	DD94-01072E	2		DD63-00157A	COVER-TUB EDGE L; GALA-E,PP,TB53-G644	SA	1
7	DD94-01072E	2		DD63-00158A	COVER-TUB EDGE R; GALA-E,PP,TB53-G644	SA	1
8	DD94-01072E	2		DD63-00169A	FELT-TUB BACK; GALA-E,COTTON,T20,GR	SA	1

# 1.2. ASSY CASE

## Exploded View

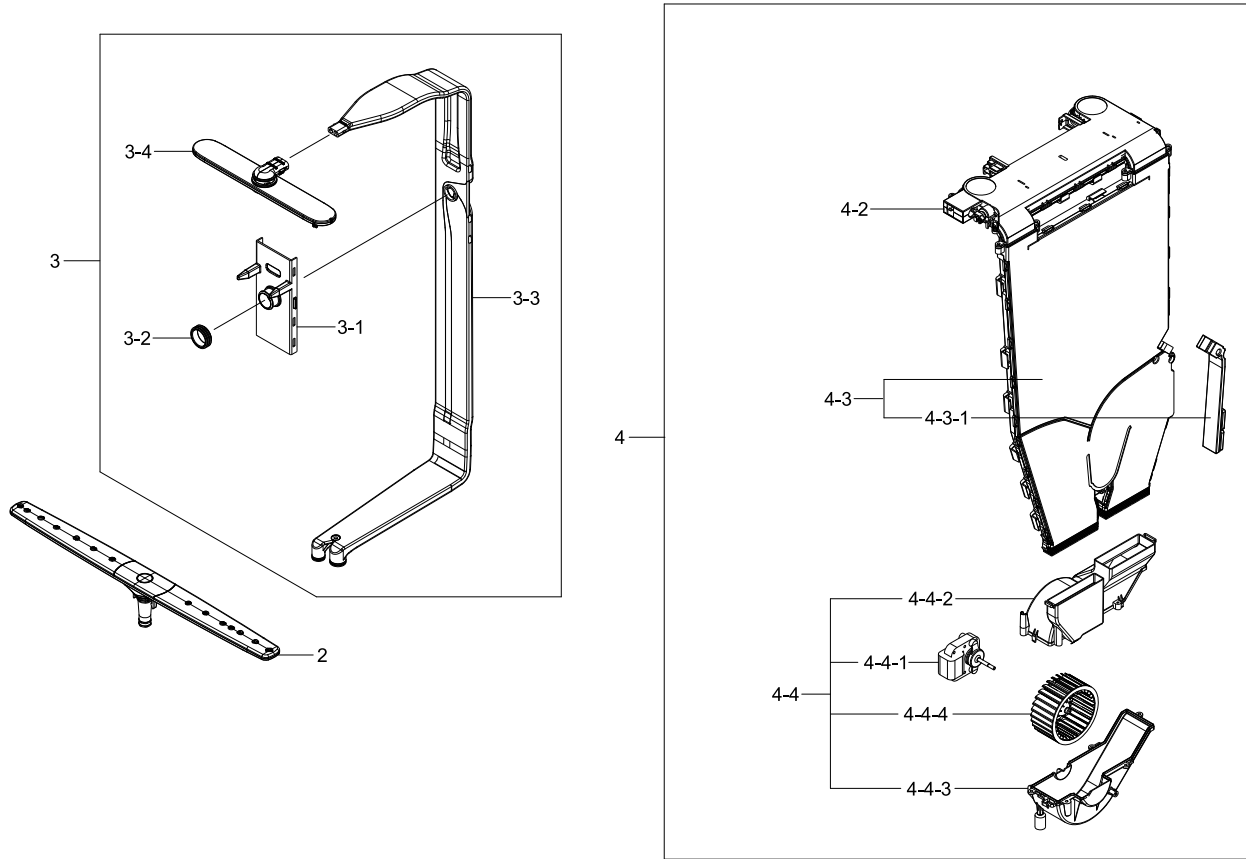


## Parts List

No.	Parent	Lvl.	Loc.	Material Code	Description & Specification	SNA	Qty.
1	DD90-00406A	2		DD39-00002A	WIRE HARNESS-OVERFLOW; DM-BG970T,UL1569 #	SA	1
2	DD90-00312A	3	F149	DD61-00317A	FRAME-FRONT; GI-SGCC,T1.0,220,564,SGCC T1	SA	1
3	DD90-00406A	2		DD61-00325A	BRACKET-3RD RAIL; STAINLESS-ST304,T0.8,2	SA	2
4	DD90-00406A	2		DD61-00329A	BRACKET-RAIL MIDDLE; STAINLESS-ST304,T0.	SA	2
5	DD90-00406A	2		DD61-00343A	SUPPORT-ROTOR LOWER; GALA-E,POM,T2.5,10g	SA	1
6	DD90-00406A	2		DD61-00354A	HOLDER-RAIL 3RD; GALA-E,POM,GRAY,POM, F20	SA	4
7	DD90-00406A	2		DD61-00355A	HOLDER-RAIL MIDDLE FRONT; GALA-E,POM,GRAY	SA	2
8	DD90-00406A	2		DD61-00356A	HOLDER-RAIL MIDDLE BACK; GALA-E,POM,GRAY,	SA	2

### 1.3. ASSY ROTOR&DUCT DRY

#### Exploded View

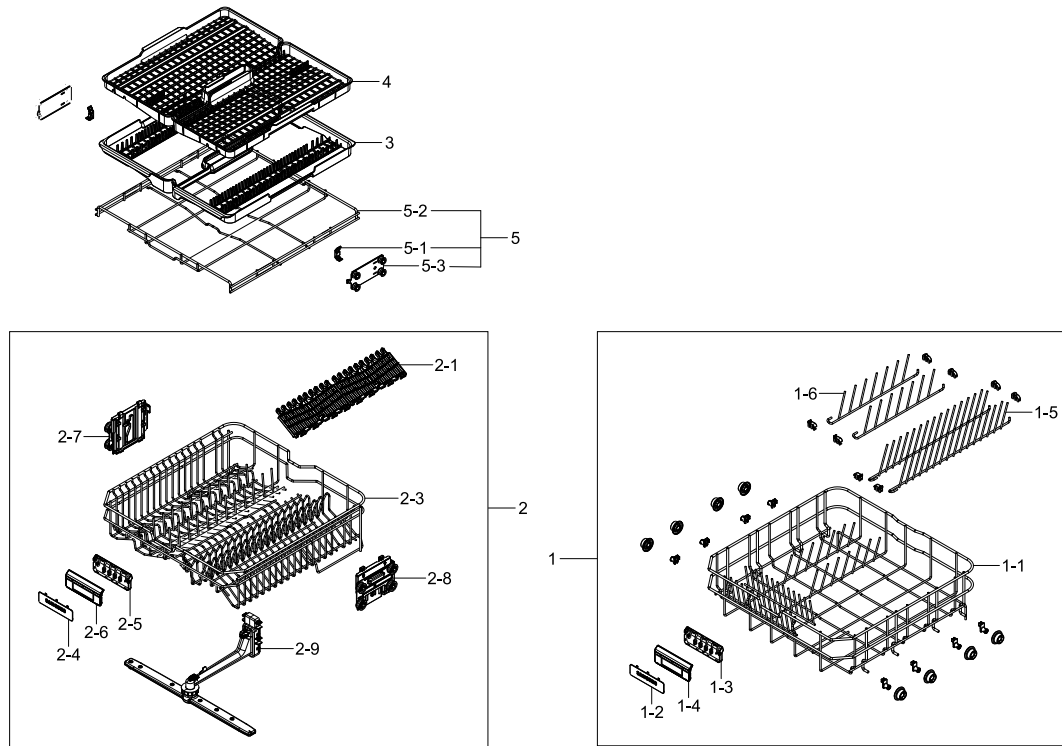


#### Parts List

No.	Parent	Lvl.	Loc.	Material Code	Description & Specification	SNA	Qty.
2	DD90-00406A	2	F442	DD94-01083A	ASSY ROTOR LOWER; GALA-E	SA	1
3	DD90-00406A	2		DD94-01114A	ASSY DUCT; GALA-E	SA	1
3-1	DD94-01114A	3		DD61-00334A	HOLDER-DUCT MIDDLE; GALA-E,POM,F20-03, NC	SNA	1
3-2	DD94-01114A	3		DD62-00101A	SEAL-HOLDER DUCT MIDDLE; GALA-E,EPDM,EPDM	SNA	1
3-3	DD94-01114A	3	P050	DD67-00078A	DUCT-MAIN; GALA-E,PP,M910	SA	1
3-4	DD94-01114A	3	F444	DD94-01082A	ASSY ROTOR UPPER; GALA-E	SA	1
4	DD90-00406A	2		DD94-01117C	ASSY DUCT DRY; GALA-E,BEST/BETTER	SA	1
4-2	DD94-01117C	3		DD94-01100B	ASSY DUCT-DRY UPPER; GALA-E,BETTER	SNA	1
4-3	DD94-01117C	3		DD94-01101B	ASSY DUCT-DRY MIDDLE; GALA-E,BEST/BETTER	SNA	1
4-3-1	DD94-01101B	4		DD63-00179A	COVER-DUCT MIDDLE HOLE; GALA-E,EPDM	SNA	1

## 1.4. ASSY BASKET PARTS

### Exploded View

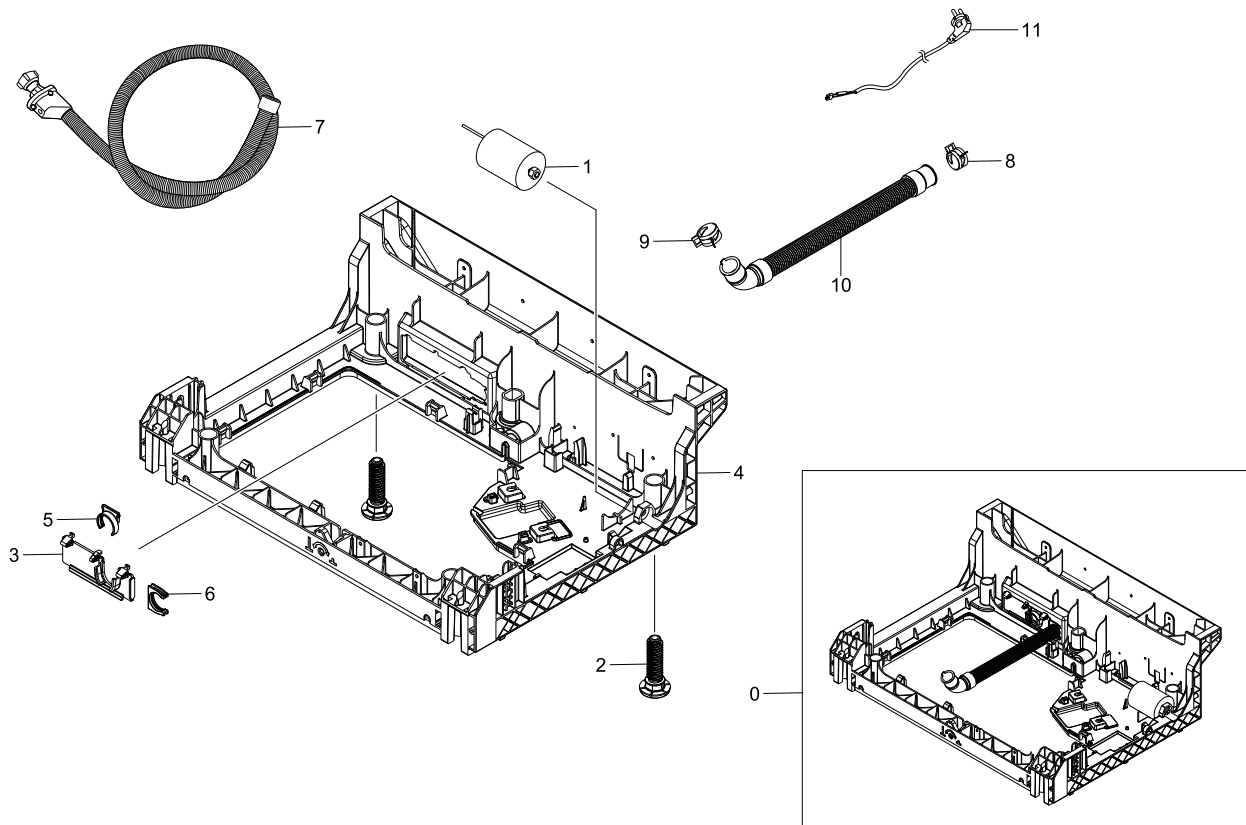


### Parts List

No.	Parent	Lvl.	Loc.	Material Code	Description & Specification	SNA	Qty.
1	DD90-00406A	2		DD94-01088A	ASSY BASKET LOWER; GALA-E	SA	1
1-1	DD94-01088A	3	A041	DD61-00385A	BASKET-LOWER; GALA-E,MSWR6,NYON11	SA	1
1-2	DD94-01103C	3		DD64-00081A	BADGE-HANDLE; STAINLESS-ST304,T0.4,124,3	SNA	1
1-3	DD94-01103C	3		DD64-00082A	HANDLE-BASKET LOWER; GALA-E,PP,PP+30, TB5	SA	1
1-4	DD94-01103C	3		DD64-00104A	HANDLE-BASKET UPPER (STS); GALA-E,PP,TB53	SNA	1
1-5	DD94-01088A	3		DD66-00083A	WIRE-FOLDING SOUP R; GALA-E,MSWR6,NYON11	SA	2
1-6	DD94-01088A	3		DD66-00086A	WIRE-FOLDING DINNER FL; GALA-E,MSWR6,NYON	SA	2
2	DD90-00406A	2		DD94-01103C	ASSY BASKET MIDDLE; GALA-E,BEST (FBI,SBI,	SA	1

## 1.5. ASSY BASE

### Exploded View

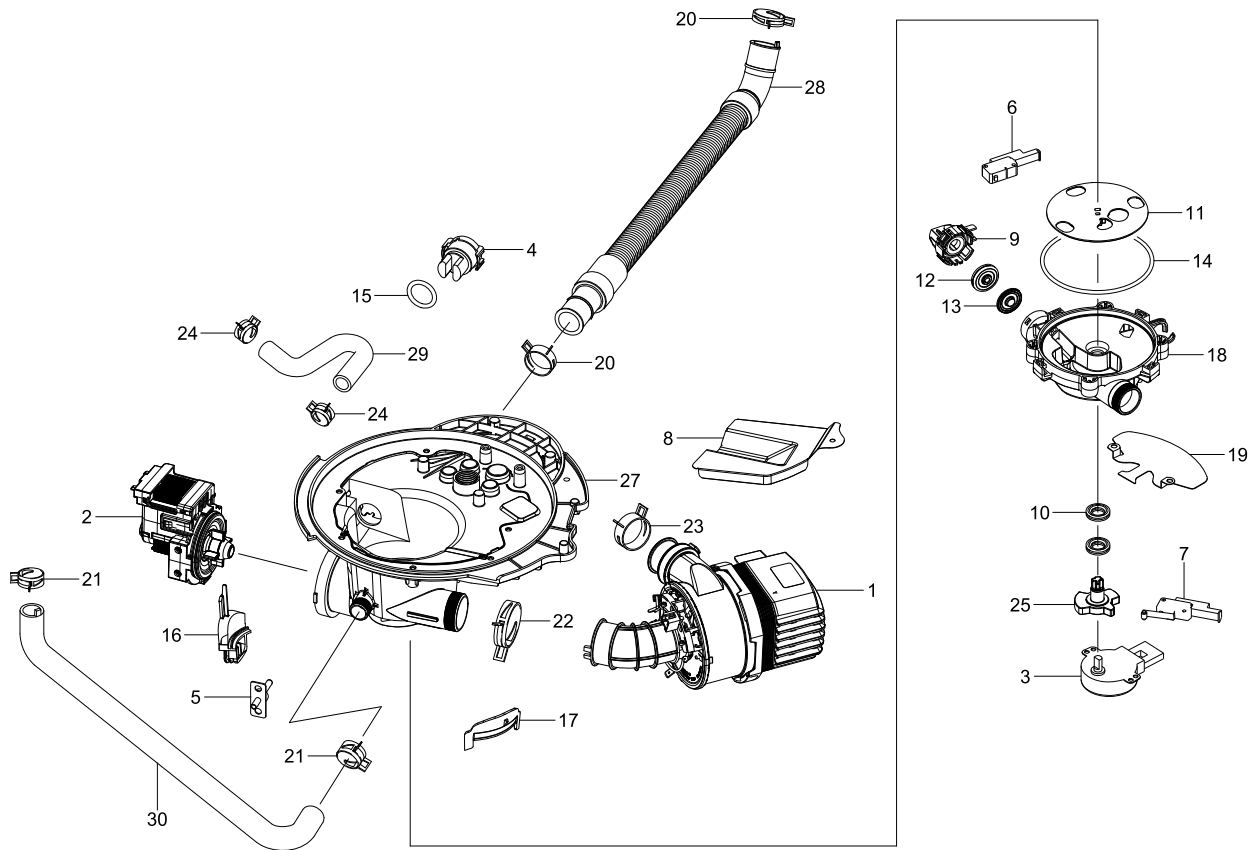


### Parts List

No.	Parent	Lvl.	Loc.	Material Code	Description & Specification	SNA	Qty.
0	DW5363PGBSL/EF	1		DD94-01090F	ASSY BASE; GALA-PJT,FS-BEST/BETTER(HAC,XT	SA	1
1	DD94-01090F	2		DD29-00007A	FILTER EMI; DFCA-2515VF-22C14GW,DW-FG720W	SA	1
2	DD94-01090F	2		DD61-00331A	FOOT-FREE STANDING; GALA-E,FS,PP,GRAY	SA	2
3	DD94-01090F	2		DD61-00333A	HOLDER-HOSE 1WAY; POM,POM, F20-03, NCGO55	SA	1
4	DD94-01090F	2	F355	DD61-00360A	PLATE-BASE; GALA-E,PP,PP, BJ500	SA	1
5	DD94-01090F	2		DD61-00376A	HOLDER-HOSE INLET; GALA-E,POM,POM, F20-03	SA	1
6	DD94-01090F	2		DD61-00377A	HOLDER-HOSE OUTLET; GALA-E,POM,F20-03, NC	SA	1
7	DD94-01090F	2		DD62-00102A	VALVE-SAFETY; DM-BG970T,PA66,1570mm,0.2-1	SA	1
8	DD94-01090F	2	F167	DD65-00001G	CLAMPER HOSE; GALA-E,SK5,ID23.7	SA	1
9	DD94-01090F	2	F165	DD65-00001J	CLAMPER HOSE; GALA-E,SK5,ID14.8	SA	1

## 1.6. ASSY SUMP

### Exploded View



### Parts List

No.	Parent	Lvl.	Loc.	Material Code	Description & Specification	SNA	Qty.
1	DD94-01078C	2		DD31-00014A	PUMP-AC; CS-0204SA,230V,50Hz	SA	1
2	DD94-01078C	2	A007	DD31-00012A	PUMP-DRAIN; 230V,50Hz	SA	1
3	DD94-01078C	2		DD31-00013A	MOTOR GEARED; SSM-23H,2.5,8,230V,40m,DM-B	SA	1
4	DD94-01078C	2	F089	DD32-00008A	SENSOR-TURBIDITY; GSGTST06,Turbidity sens	SA	1
5	DD94-01078C	2	M117	DD32-00009A	THERMISTOR; 17.59k,12,-25 to +105,5,5	SA	1
6	DD94-01078C	2		DD34-00005A	SWITCH MICRO; SZM-V01-FA-33,PT-Au-Ag-Ni-C	SA	1
7	DD94-01078C	2		DD34-00006A	SWITCH MICRO; SZM-V01-6FA-33,PT-Au-Ag-Ni-	SA	1
8	DD94-01078C	2		DD61-00364A	BRACKET-MOTOR MOUNTING; GALA-E,SGCC,T0.4	SA	1
9	DD94-01078C	2		DD61-00383A	HOLDER-HPS SWITCH; GALA-E,POM,GRAY,F20-03	SA	1